



US00D385640S

United States Patent [19]

Leen

[11] Patent Number: **Des. 385,640**

[45] Date of Patent: ****Oct. 28, 1997**

[54] HALOGEN WORK LIGHT/FLOODLIGHT

5,408,399 4/1995 Atkins et al. 362/414 X

[76] Inventor: **Monte A. Leen**, 1804 W. Lake Sammamish Pkwy. NE., Bellevue, Wash. 98008

Primary Examiner—Susan J. Lucas
Attorney, Agent, or Firm—Christensen, O'Connor, Johnson & Kindness PLLC

[**] Term: **14 Years**

[57] CLAIM

[21] Appl. No.: **60,916**

The ornamental design for a halogen work light/floodlight, as shown and described.

[22] Filed: **Oct. 10, 1996**

DESCRIPTION

[51] LOC (6) Cl. **26-05**

[52] U.S. Cl. **D26/63**

[58] Field of Search D26/63, 65; 362/410-414, 362/269, 275, 287, 418, 419, 421, 427, 376

FIG. 1 is a top, isometric view of a halogen work light/floodlight showing my new design, the cord being fragmentarily shown for convenience of illustration;

FIG. 2 is a front elevational view thereof;

FIG. 3 is a back elevational view thereof;

FIG. 4 is a side elevational view thereof, the opposite side being a mirror image;

FIG. 5 is a bottom plan view thereof; and,

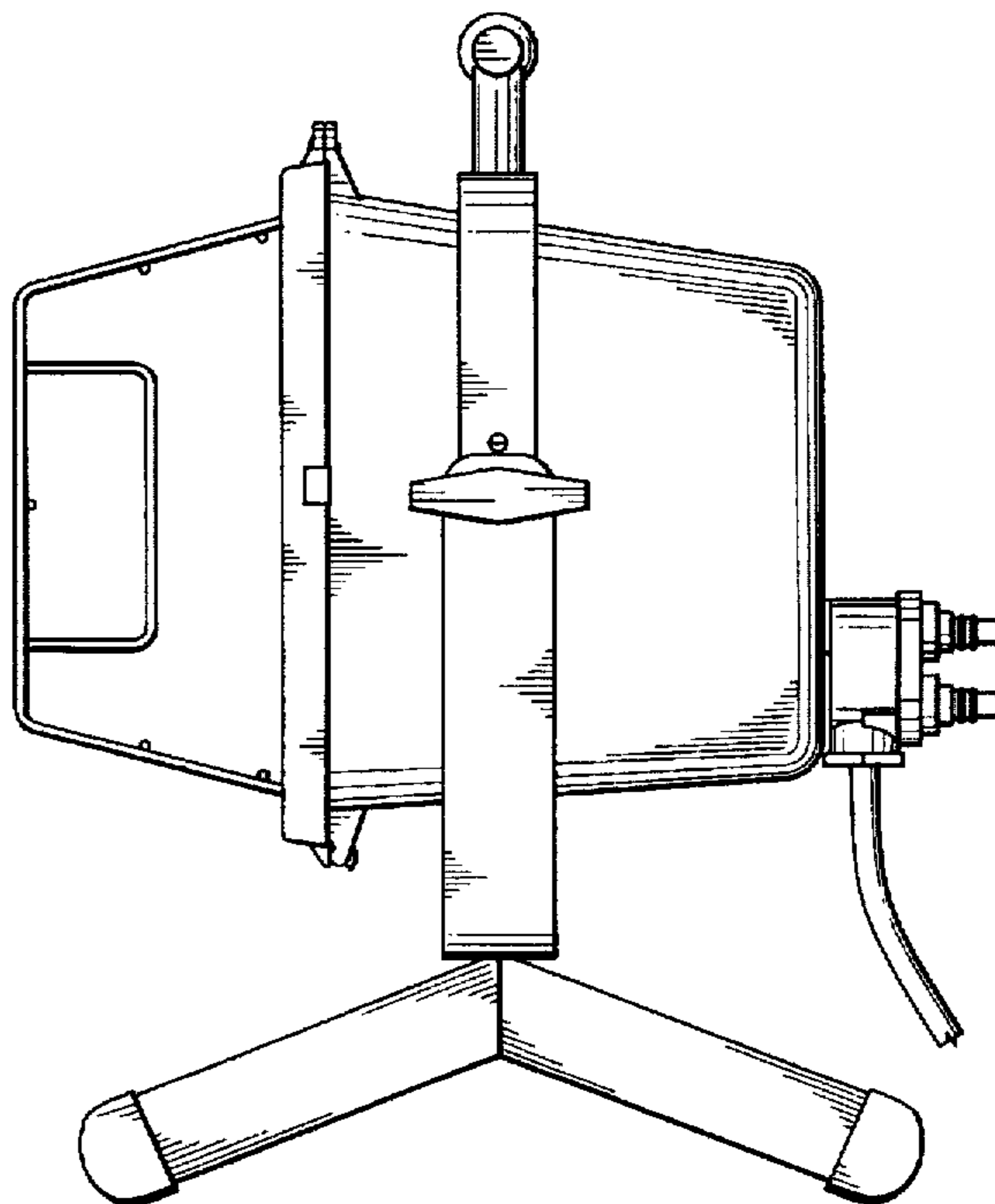
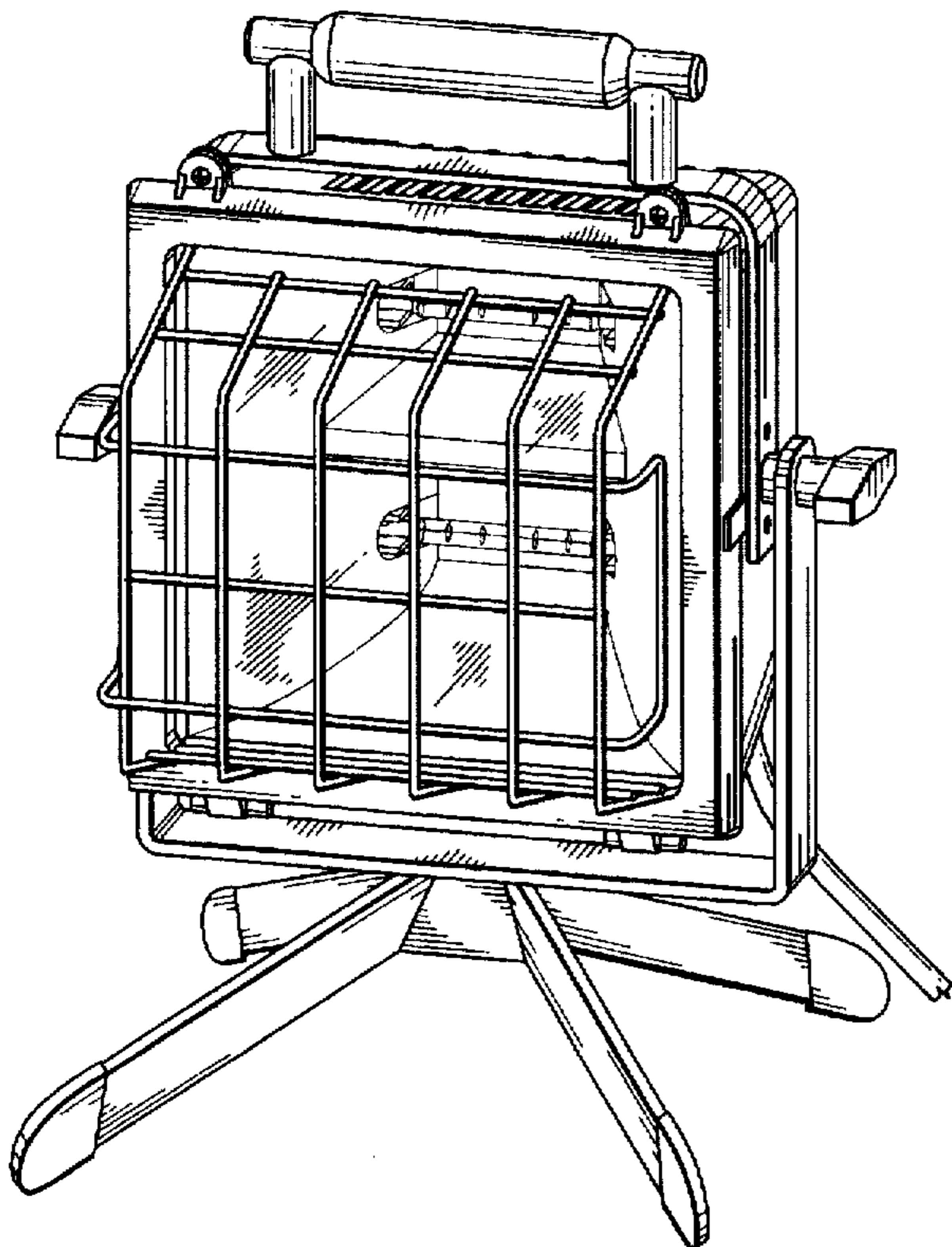
FIG. 6 is a top plan view thereof.

[56] References Cited

U.S. PATENT DOCUMENTS

- D. 359,371 6/1995 Osteen et al. D26/63 X
- D. 369,227 4/1996 Sumer D26/63
- D. 375,377 11/1996 Leen D26/63

1 Claim, 5 Drawing Sheets



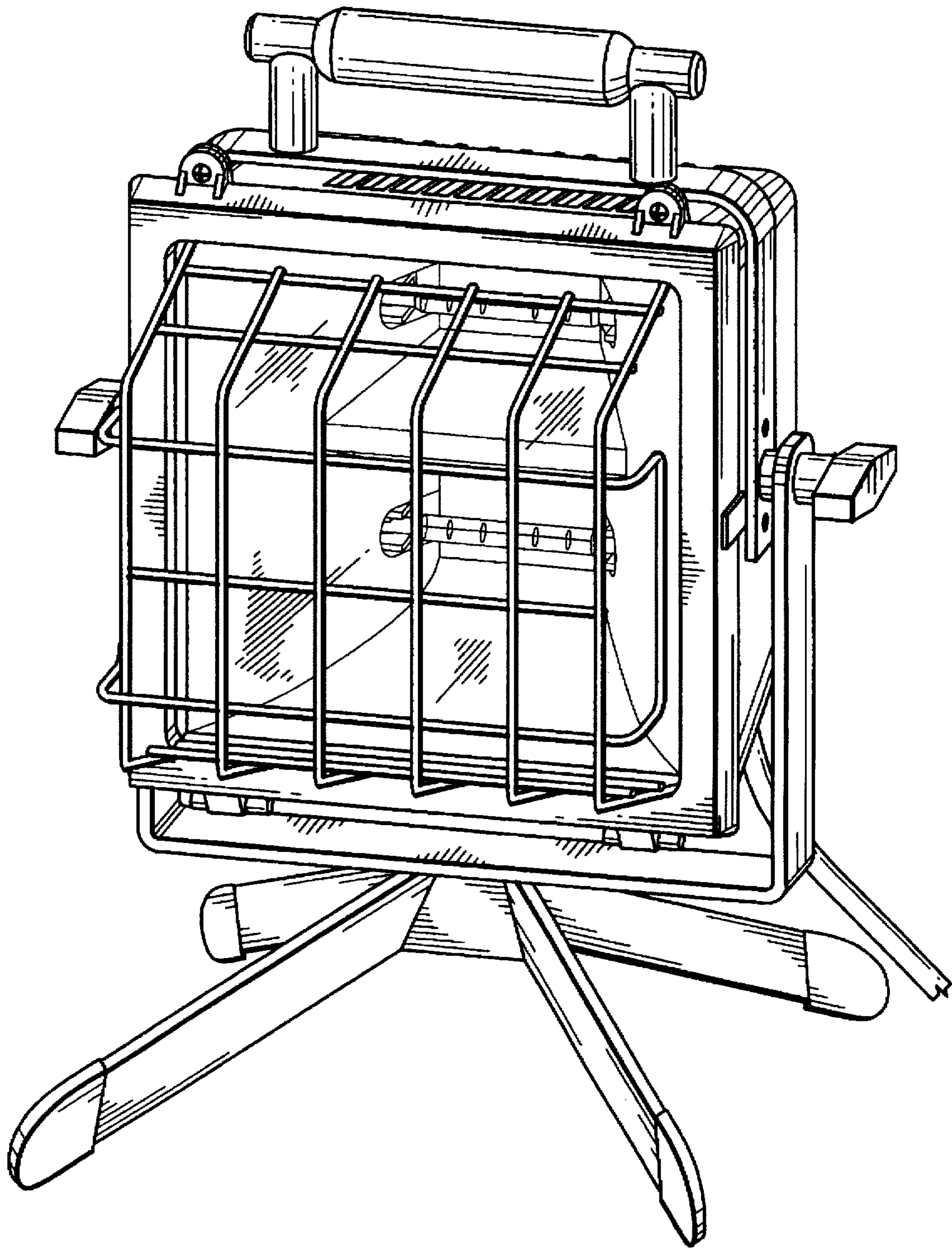


Fig. 1

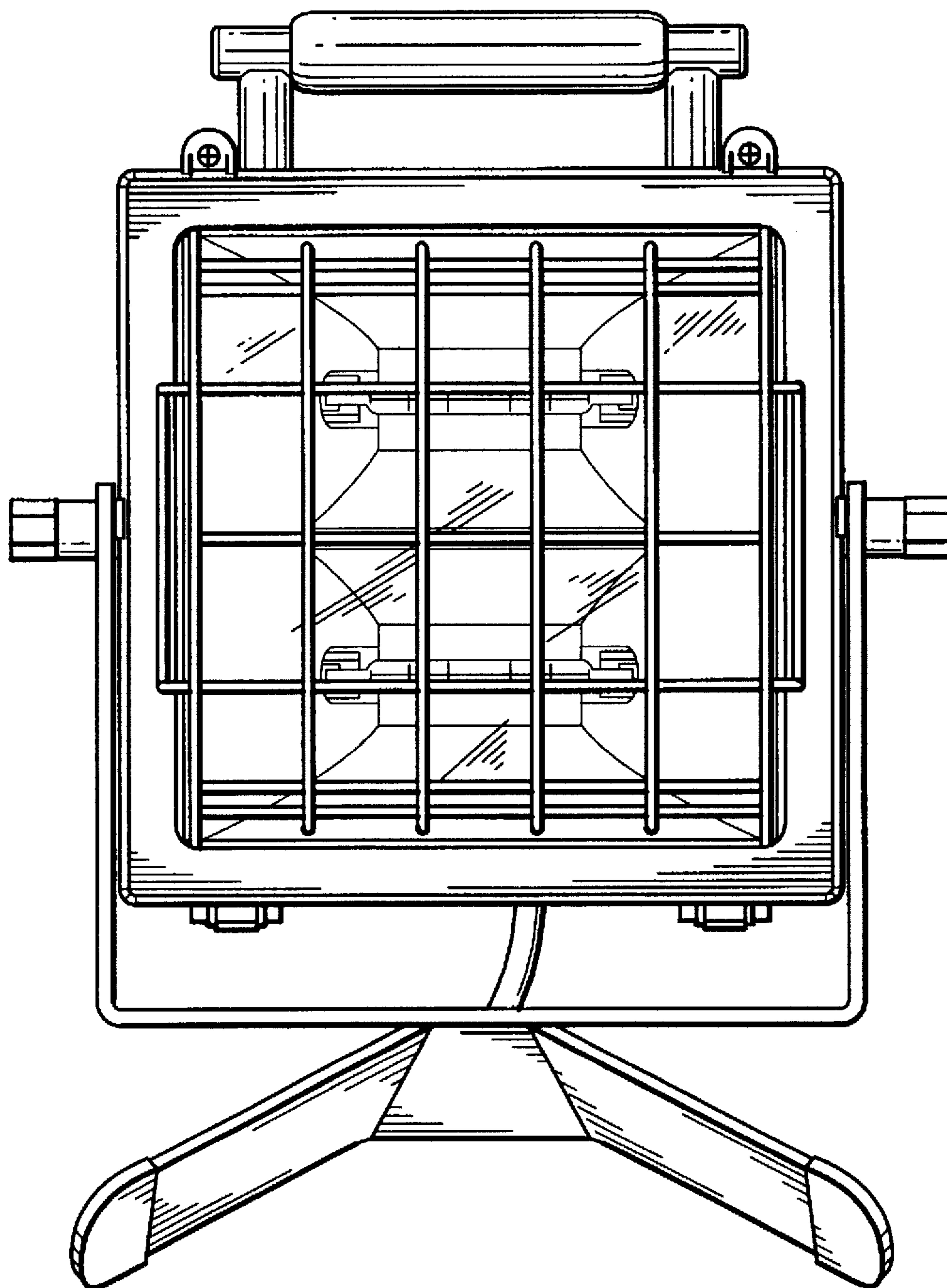


Fig. 2

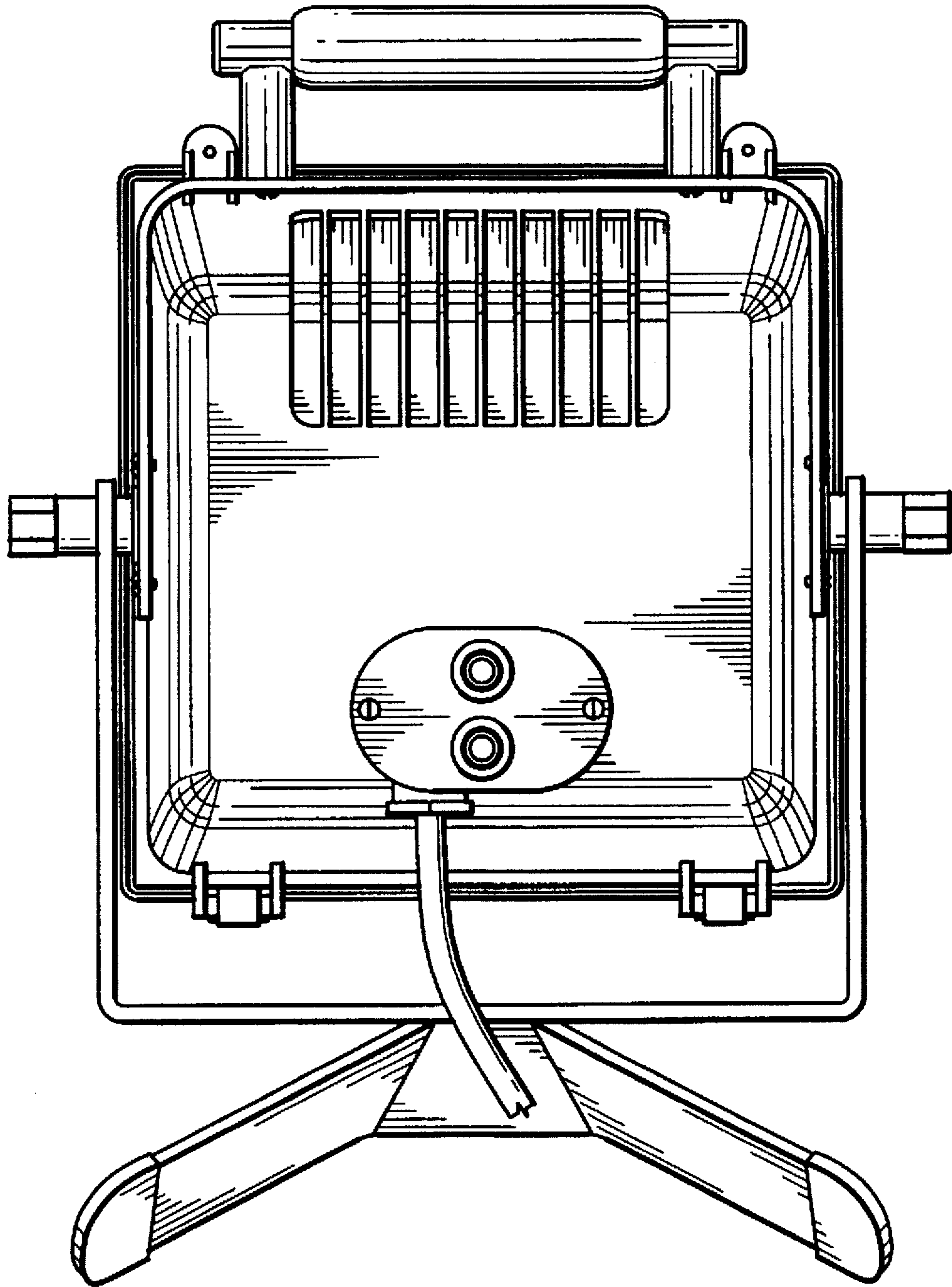


Fig. 3

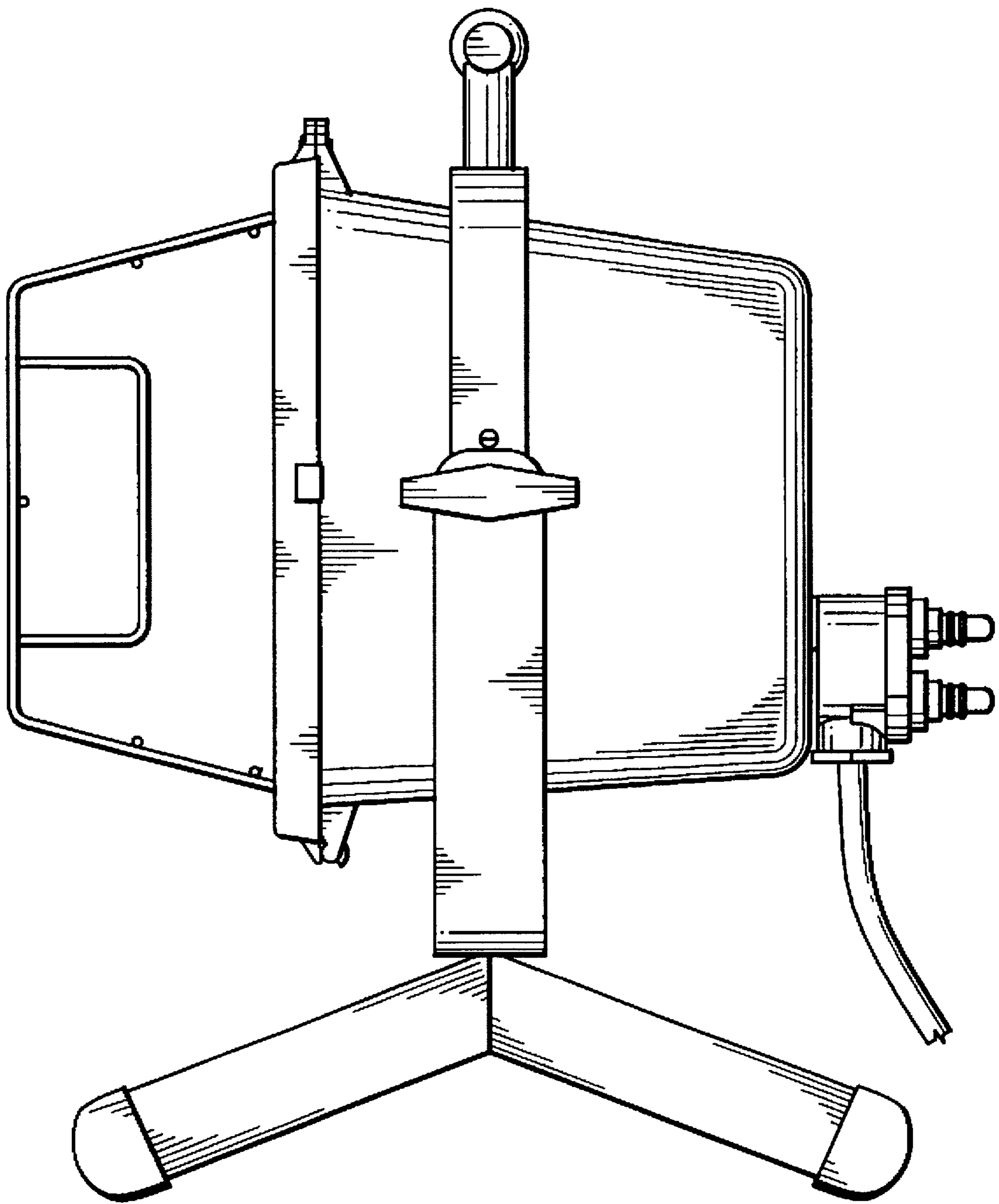


Fig. 4

