

US00D385638S

United States Patent [19]

[11] Patent Number: **Des. 385,638**

Bonnette et al.

[45] Date of Patent: ****Oct. 28, 1997**

[54] **PEDESTAL LIGHT**

[75] Inventors: **Mark E. Bonnette; Rodger W. Eich,** both of Holland; **Andrew C. Bartlett,** Saugatuck, all of Mich.

[73] Assignee: **Ramco Industries, Inc.,** Elkhart, Ind.

[**] Term: **14 Years**

[21] Appl. No.: **58,840**

[22] Filed: **Aug. 26, 1996**

[51] **LOC (6) Cl.** **26-05**

[52] **U.S. Cl.** **D26/62; D26/63; D26/87**

[58] **Field of Search** **D26/60, 61, 63, D26/65, 87, 92; 362/147, 269, 275, 287, 418, 419, 427**

[56] **References Cited**

U.S. PATENT DOCUMENTS

- D. 231,559 4/1974 Darling et al. D26/63
- D. 234,170 1/1975 Beeren D26/63

OTHER PUBLICATIONS

Product catalog from Guest Reading Lights (2 pages) published prior to Aug. 26, 1996.
 Product catalog from Hella Lamps (4 pages) published prior to Aug. 26, 1996.

Product catalog from Aqua Signal (3 pages) published prior to Aug. 26, 1996.

Abitare magazine supplement, p. 5, "Ticappa "table lamp, Group 2900—desk box Nov. 1979.

Home Lighting and Accessories, p. 48, Ruud Lighting track, Group 2900—spotlight box Jan. 1994.

Primary Examiner—Susan J. Lucas

Attorney, Agent, or Firm—Price, Heneveld, Cooper, DeWitt & Litton

[57] **CLAIM**

The ornamental design for pedestal light, as shown and described.

DESCRIPTION

FIG. 1 is a perspective view of a pedestal light, showing our new design;

FIG. 2 is a left side elevational view, the right side being a mirror image;

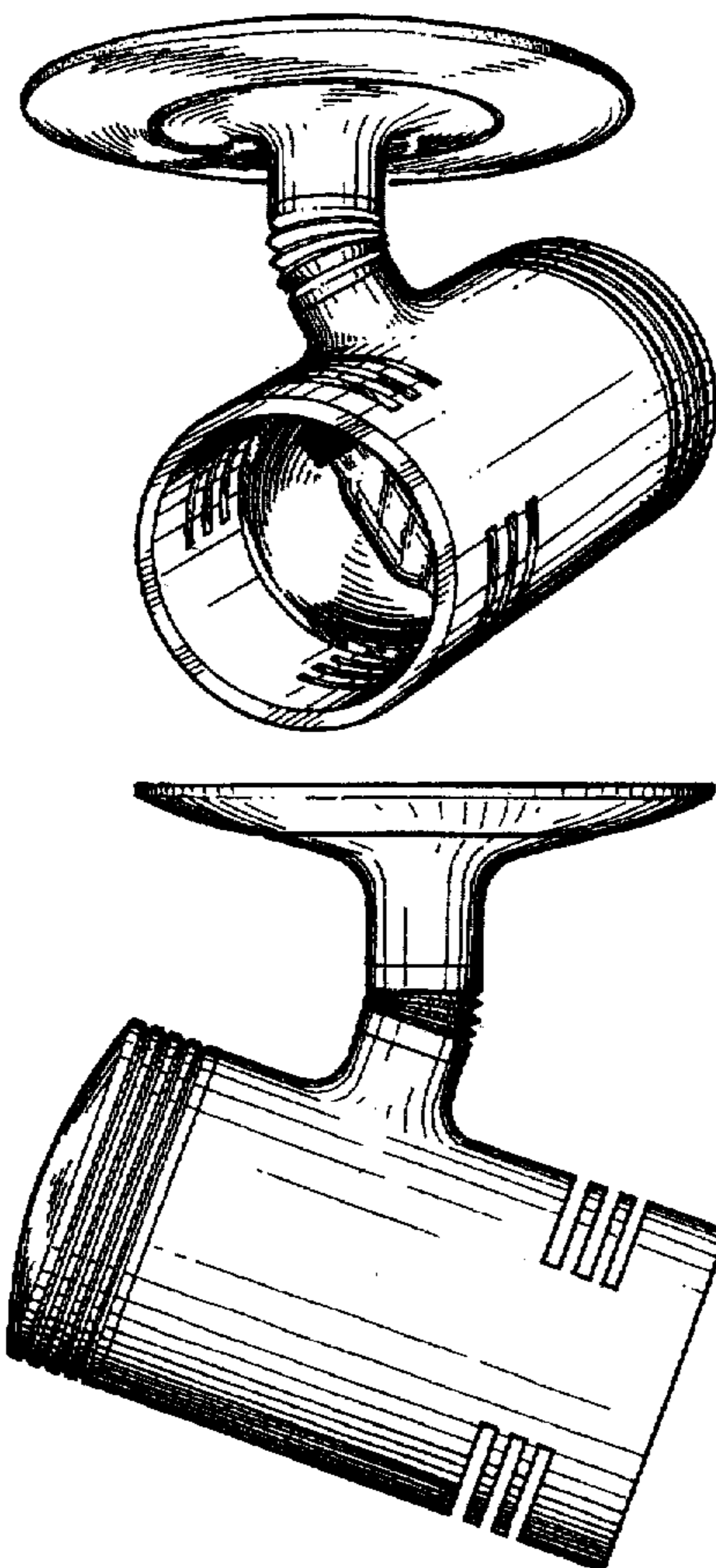
FIG. 3 is a front elevational view;

FIG. 4 is a rear elevational view;

FIG. 5 is a bottom plan view; and,

FIG. 6 is a top plan view.

1 Claim, 2 Drawing Sheets



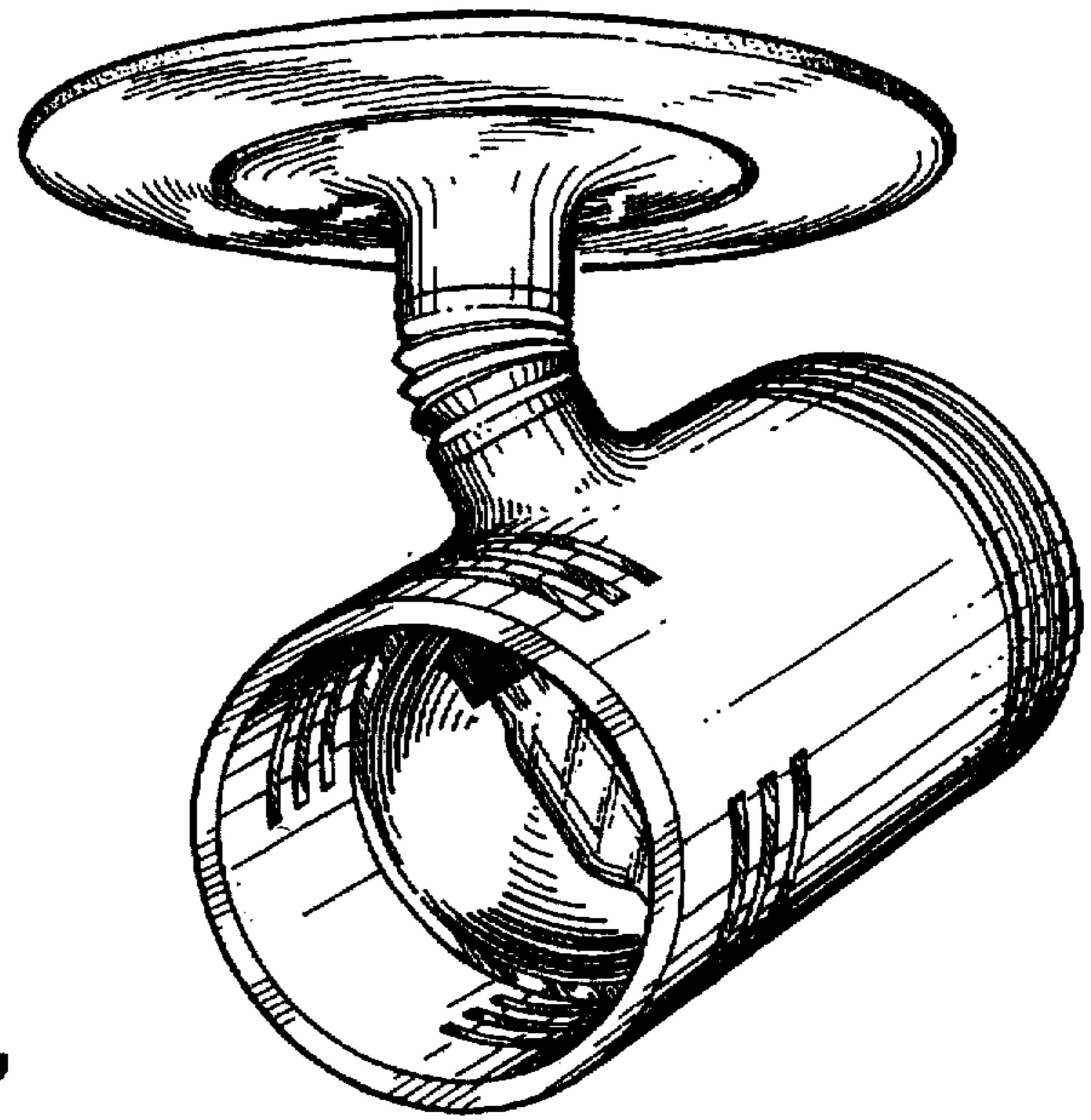


Fig. 1

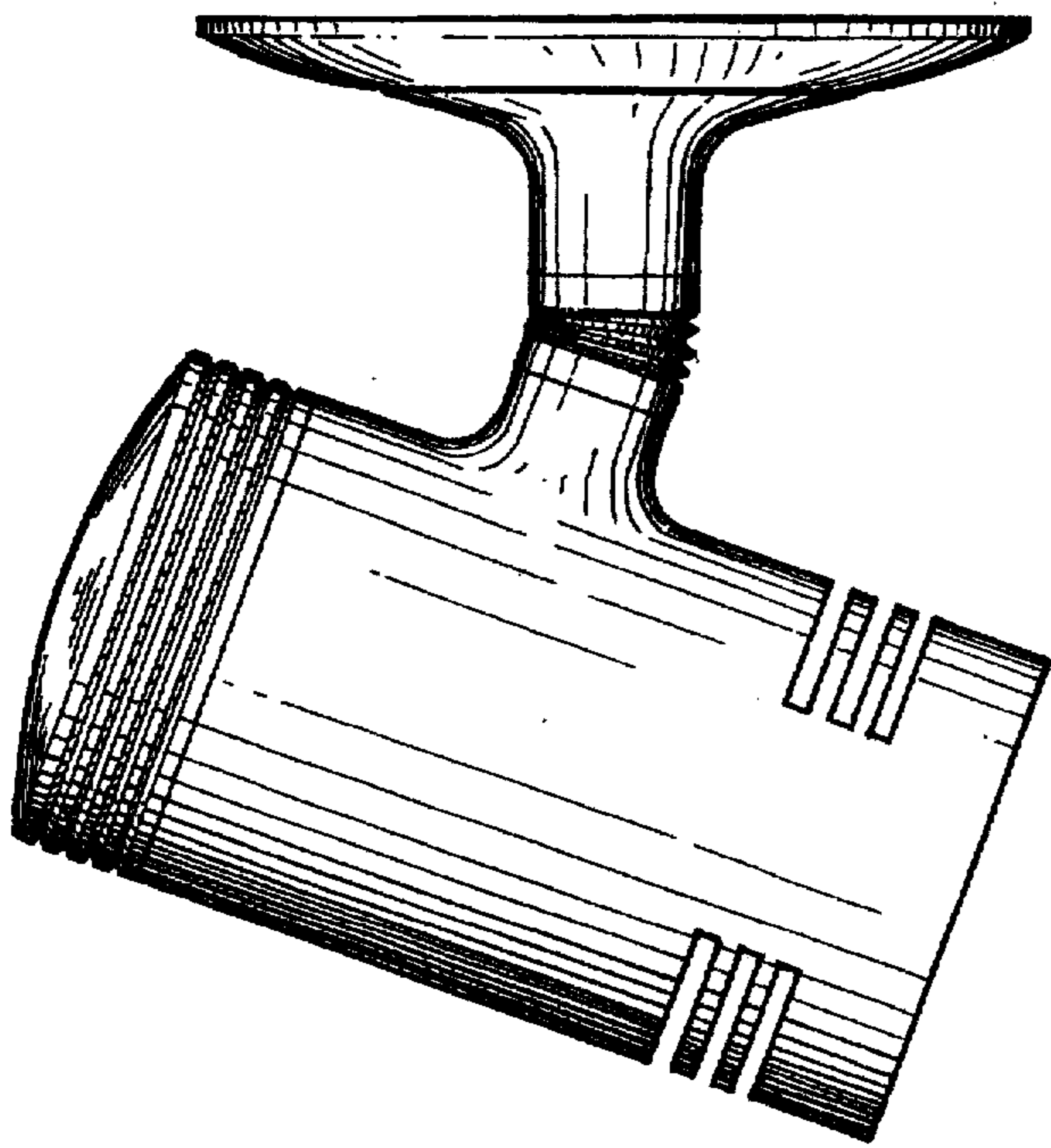


Fig. 2

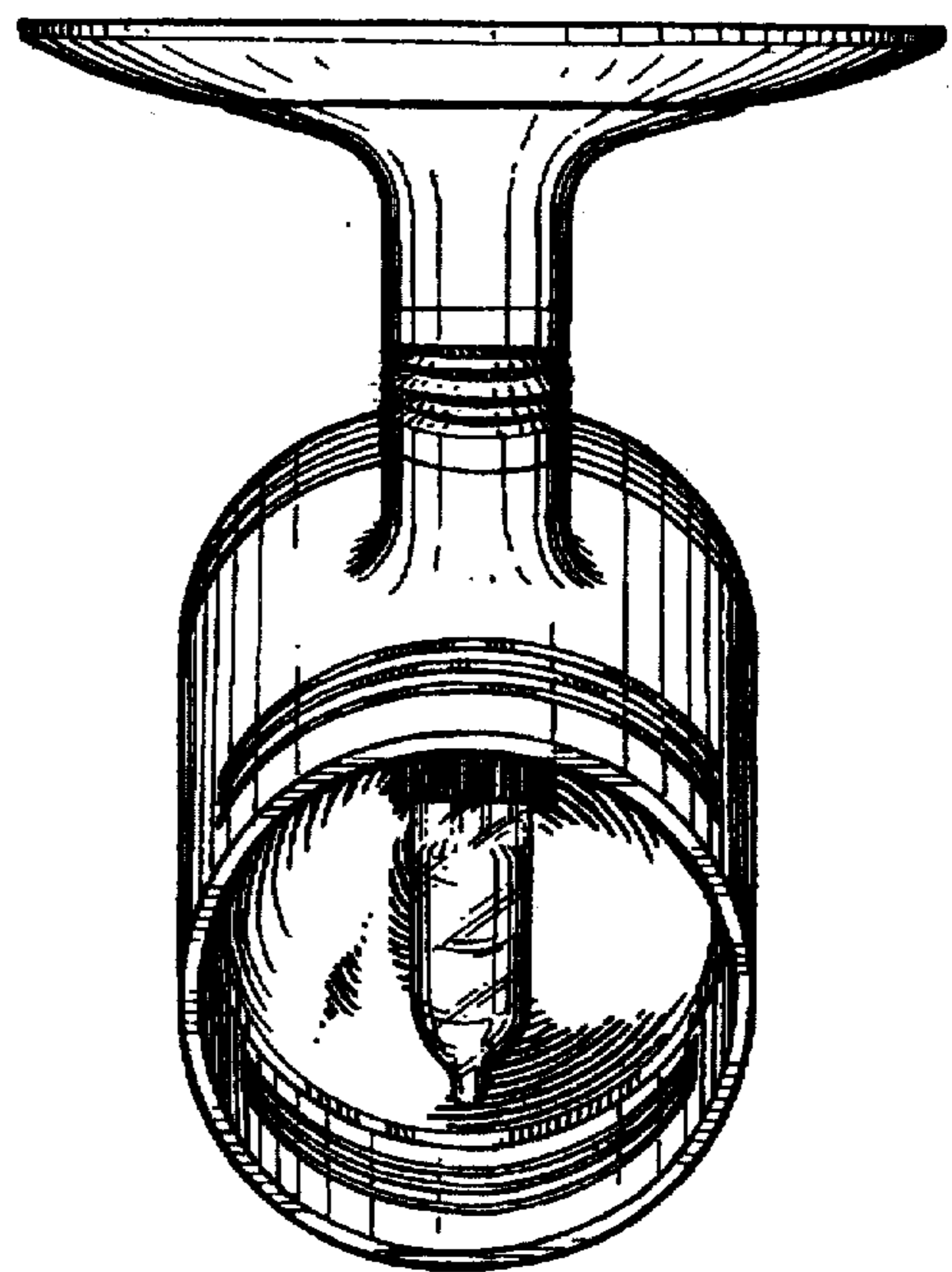


Fig. 3

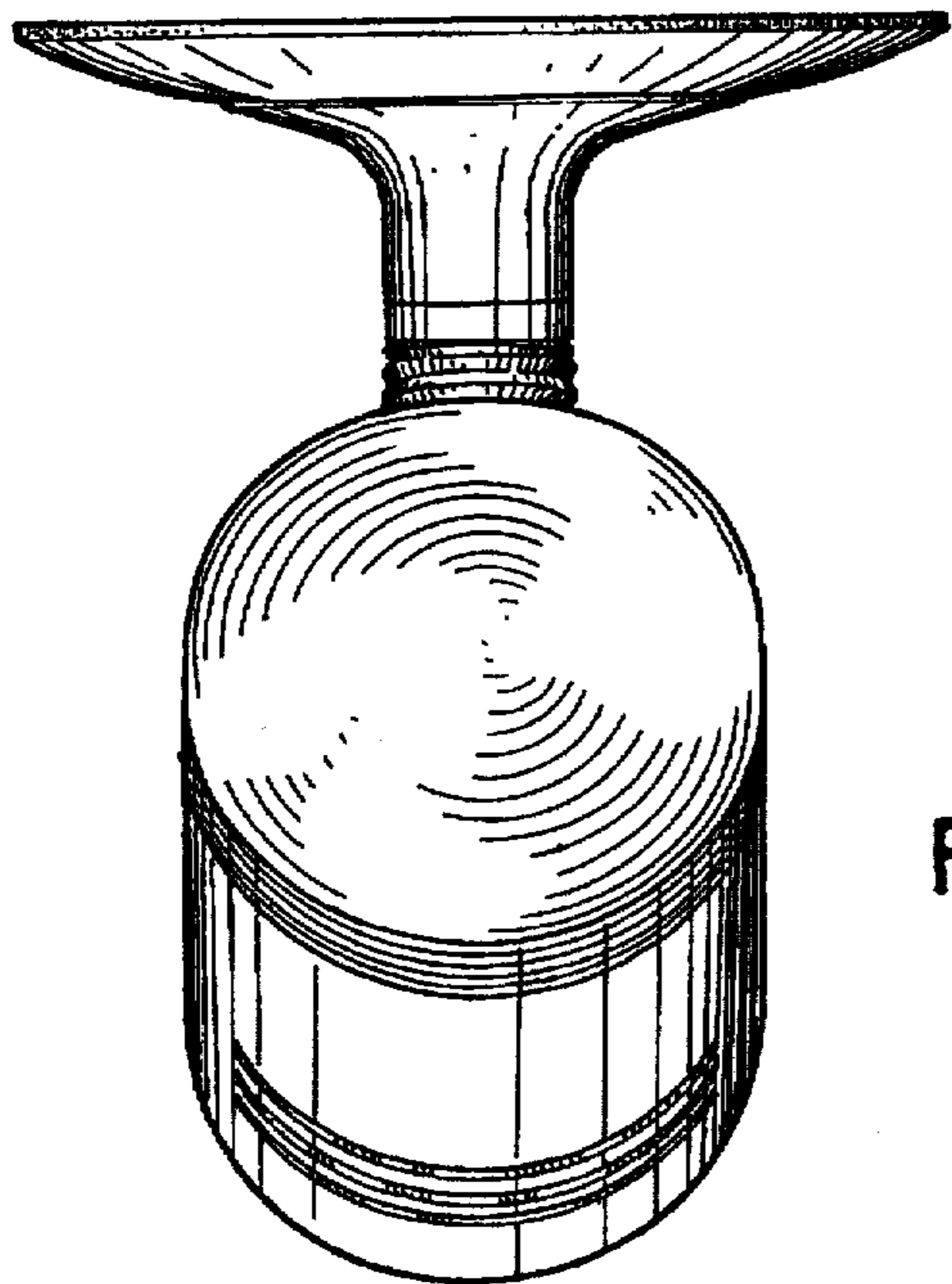


Fig. 4

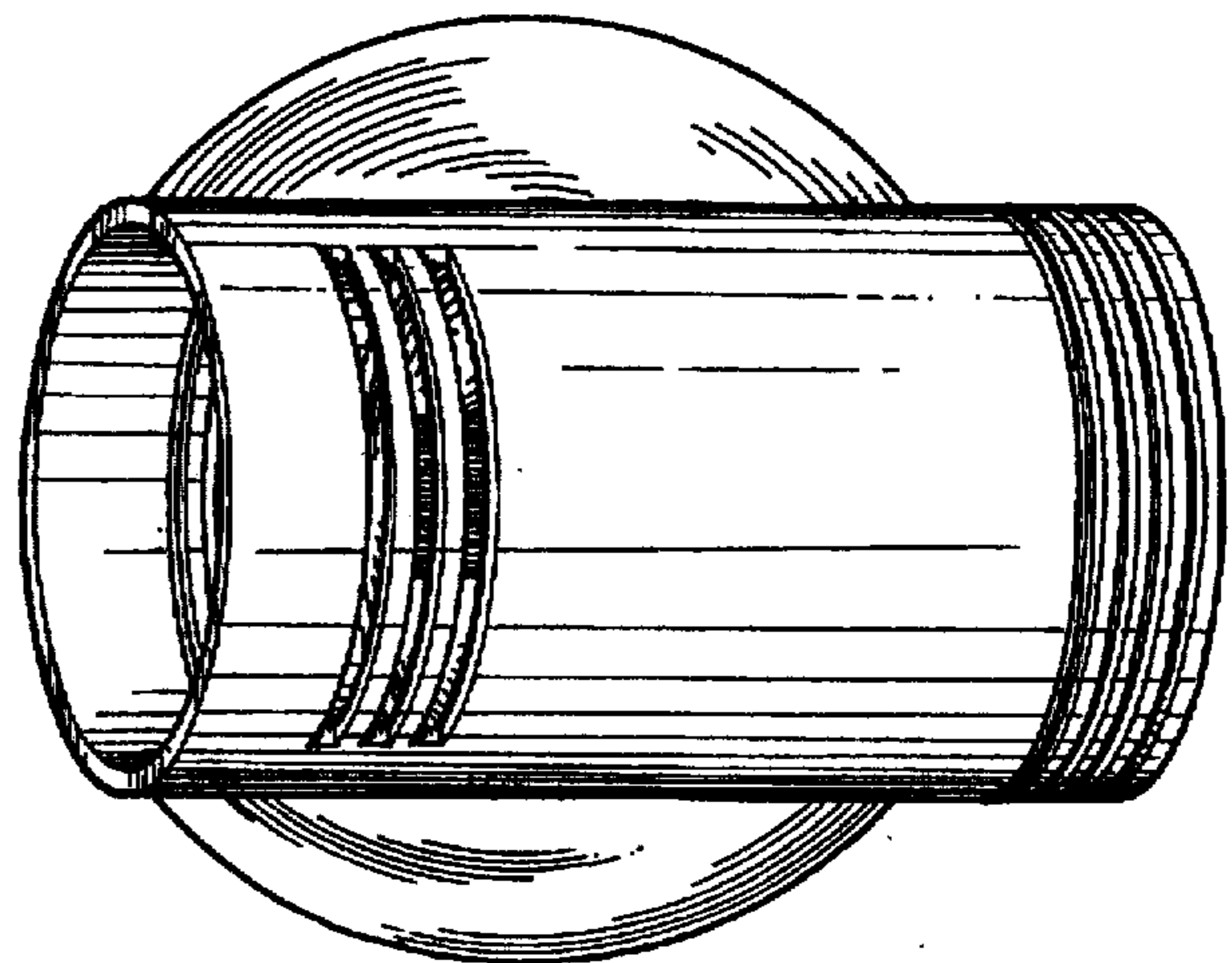


Fig. 5

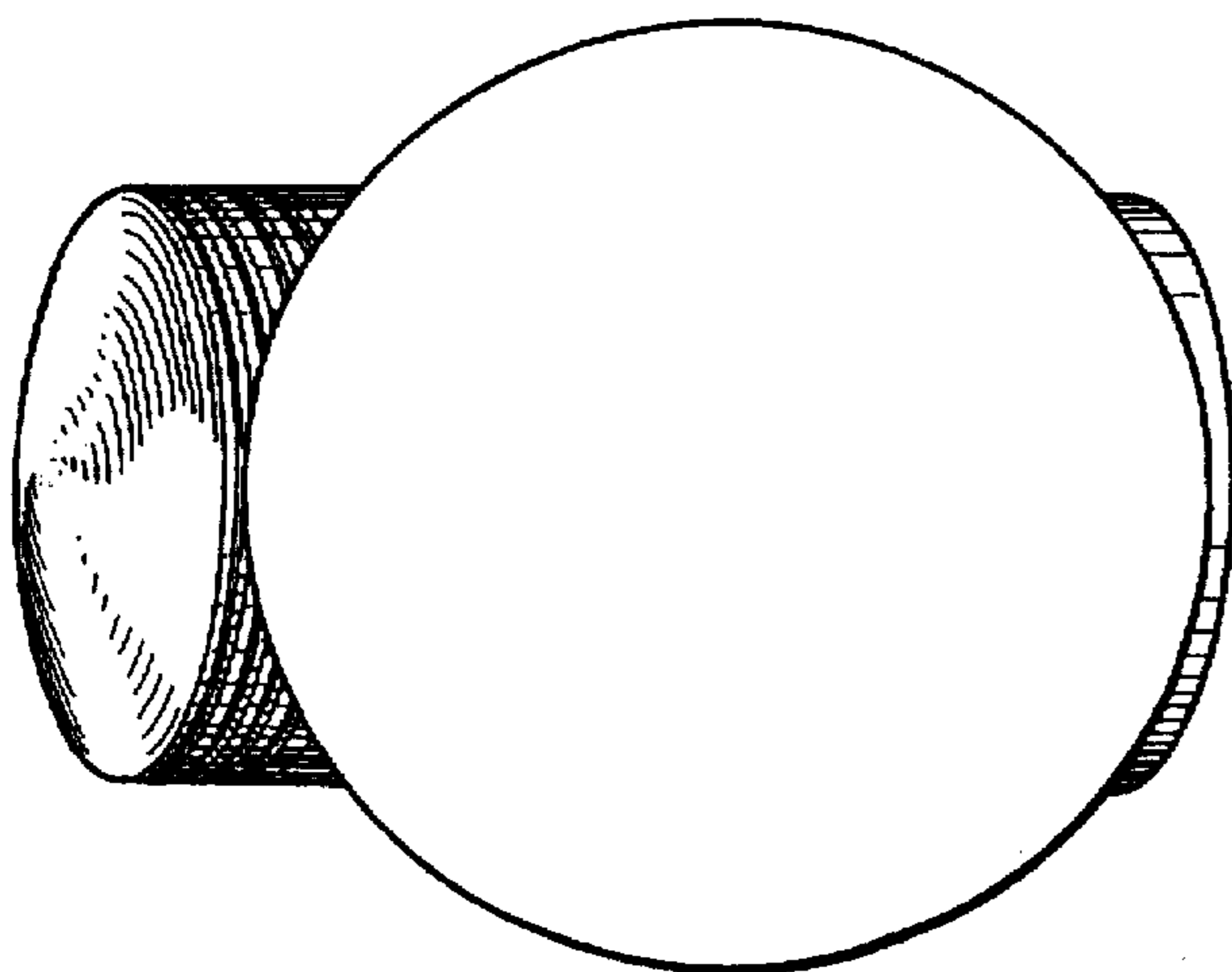


Fig. 6