



US00D385635S

**United States Patent** [19]  
**Nebelsieck**

[11] **Patent Number: Des. 385,635**

[45] **Date of Patent: \*\*Oct. 28, 1997**

[54] **LAWN EDGING SYSTEM**

[76] **Inventor: Melvin Nebelsieck, 10103 N. Seminole Dr., Spokane, Wash. 99208**

[\*\*] **Term: 14 Years**

[21] **Appl. No.: 52,995**

[22] **Filed: Apr. 12, 1996**

[51] **LOC (6) Cl. .... 25-01**

[52] **U.S. Cl. .... D25/164; D8/1**

[58] **Field of Search .... D8/1; 47/33, 23, 47/85; 52/102; D25/164**

[56] **References Cited**

**U.S. PATENT DOCUMENTS**

D. 352,643	11/1994	Hoculik	.....	D8/1
4,945,675	8/1990	Kendrick	.....	47/33
4,976,063	12/1990	Young	.....	47/33
4,986,042	1/1991	Richardt	.....	47/33
5,092,076	3/1992	Terreta	.....	47/33
5,157,867	10/1992	Fritch	.....	47/33

*Primary Examiner*—Holly Baynham  
*Attorney, Agent, or Firm*—Harold H. Dutton, Jr.

[57] **CLAIM**

The ornamental design for a lawn edging system, as shown and described.

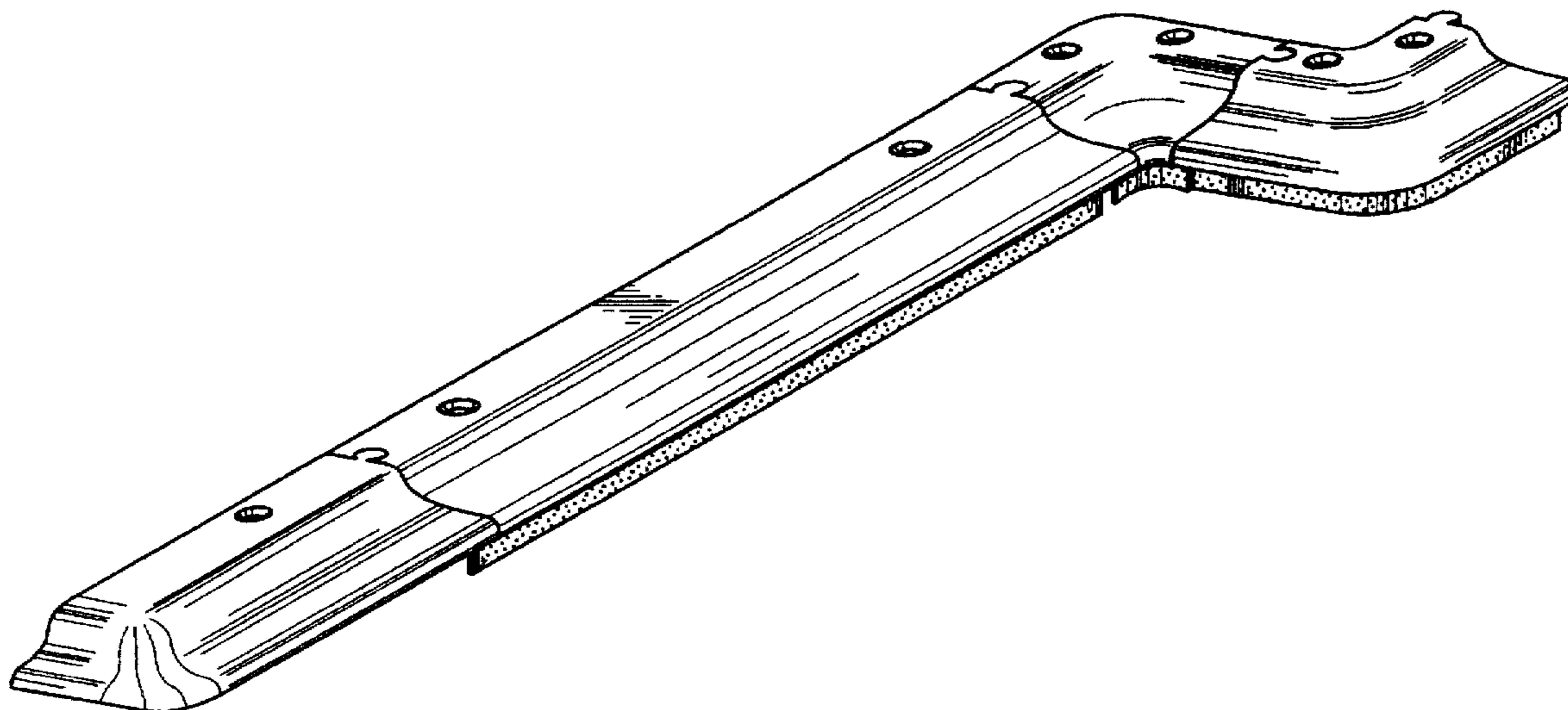
**DESCRIPTION**

FIG. 1 is an exploded perspective view of a lawn edging unit shown in FIG. 26 showing my new design;

FIG. 2 is a front view of the main portion thereof;  
 FIG. 3 is a rear view thereof;  
 FIG. 4 is a top view thereof;  
 FIG. 5 is a bottom view thereof;  
 FIG. 6 is a left side view thereof;  
 FIG. 7 is a right side view thereof;  
 FIG. 8 is a front view of the end piece portion thereof;  
 FIG. 9 is a rear view thereof;  
 FIG. 10 is a left side view thereof;  
 FIG. 11 is a right side view thereof;  
 FIG. 12 is a top view thereof;  
 FIG. 13 is a bottom view thereof;  
 FIG. 14 is a left side view of the outside curve portion thereof;  
 FIG. 15 is a front view thereof;  
 FIG. 16 is a rear view thereof;  
 FIG. 17 is a right side view thereof;  
 FIG. 18 is a top view thereof;  
 FIG. 19 is a bottom view thereof;  
 FIG. 20 is a left side view of the inside curve portion thereof;  
 FIG. 21 is a front view thereof;  
 FIG. 22 is a rear view thereof;  
 FIG. 23 is a right side view thereof;  
 FIG. 24 is a top view thereof; and  
 FIG. 25 is a bottom view thereof; and  
 FIG. 26 is a reduced perspective view of a lawn edging unit in fully assembled form.

The elements of the claimed design are shown detached for clarity of illustration.

**1 Claim, 11 Drawing Sheets**



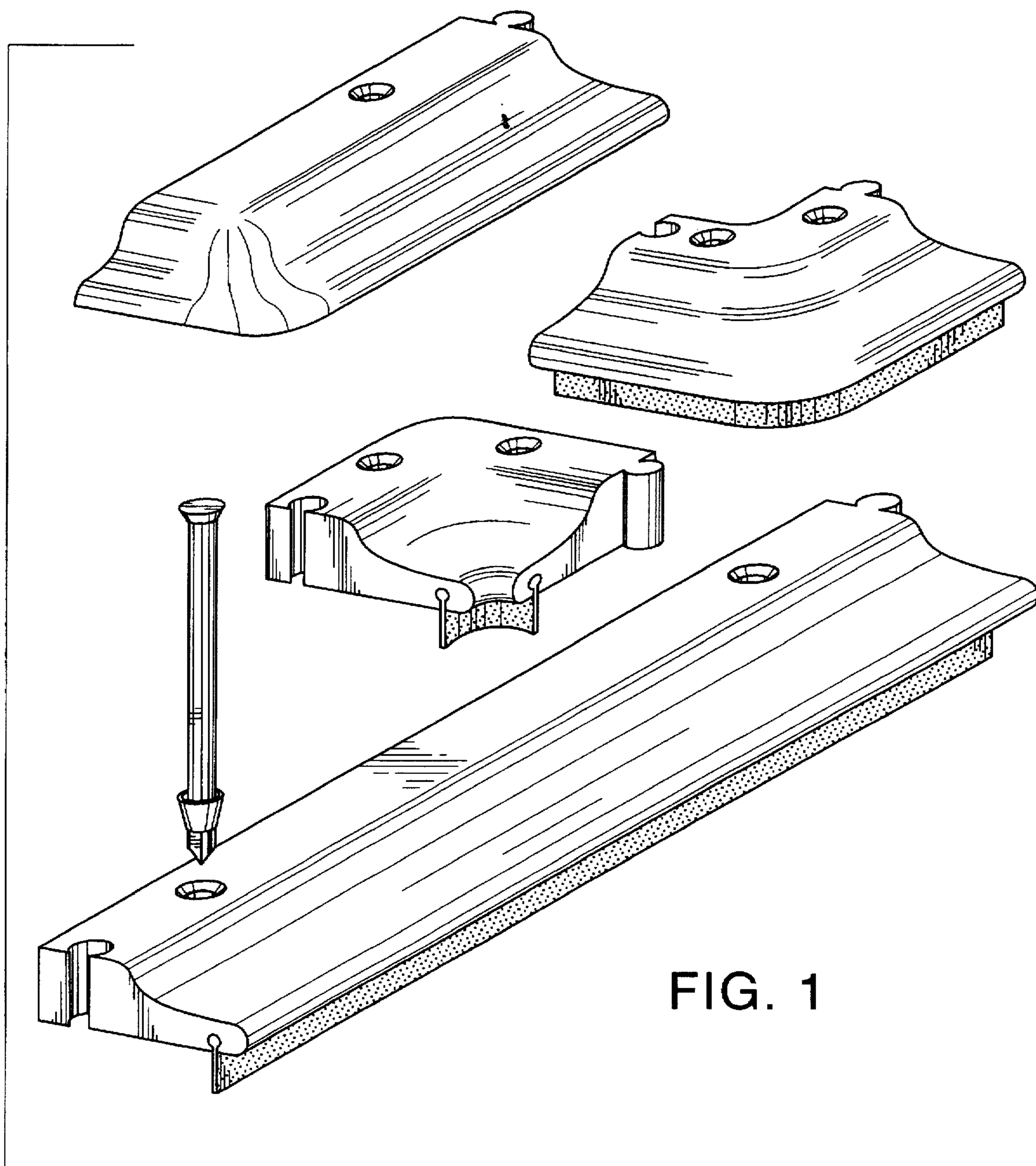


FIG. 1

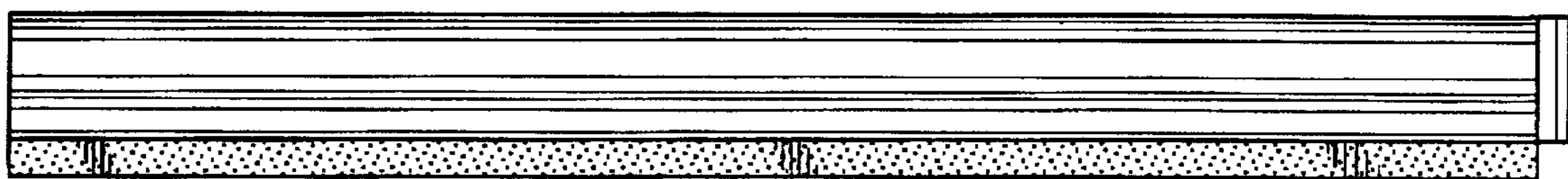


FIG. 2



FIG. 3

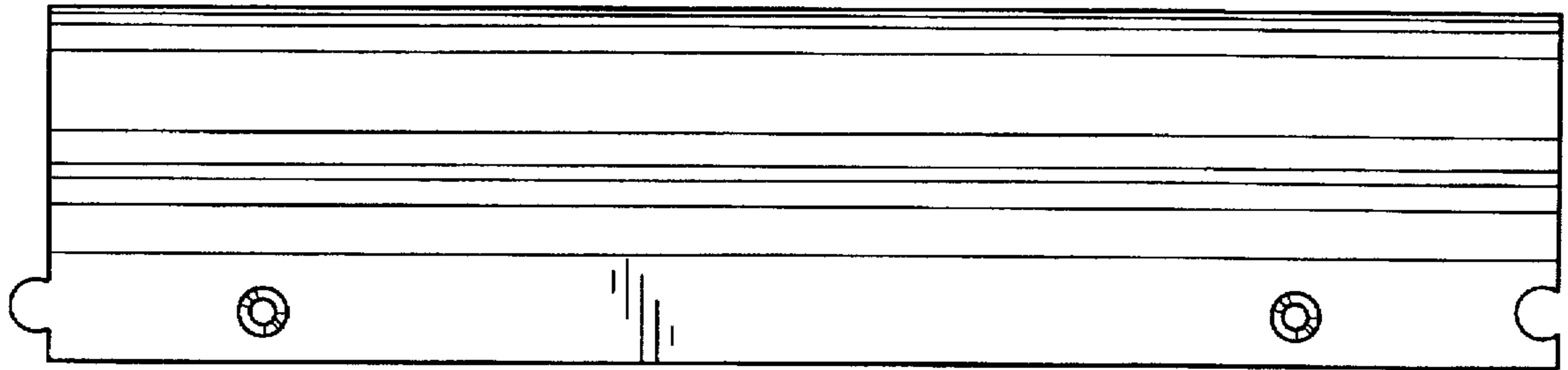


FIG. 4

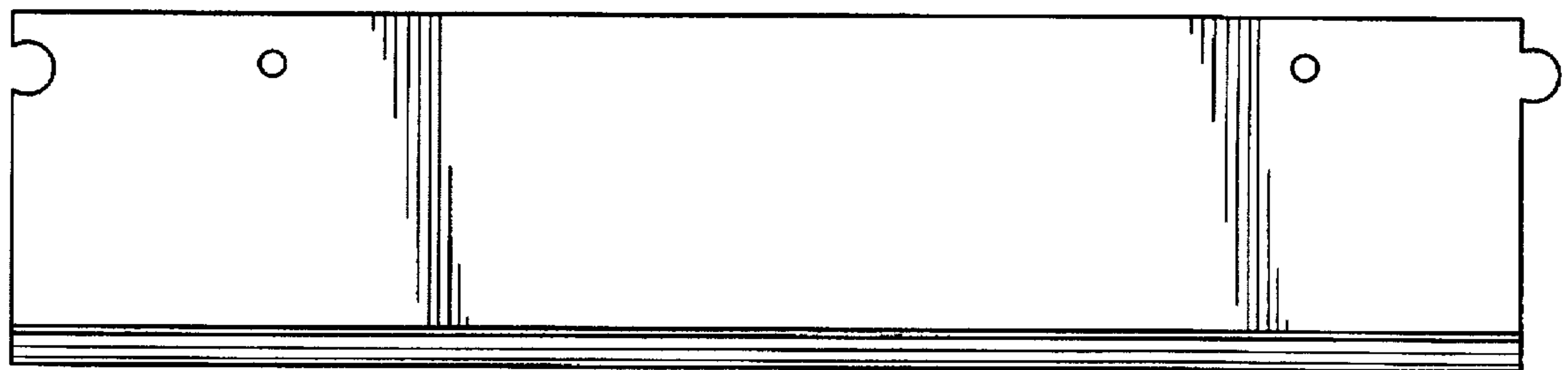


FIG. 5



FIG. 6

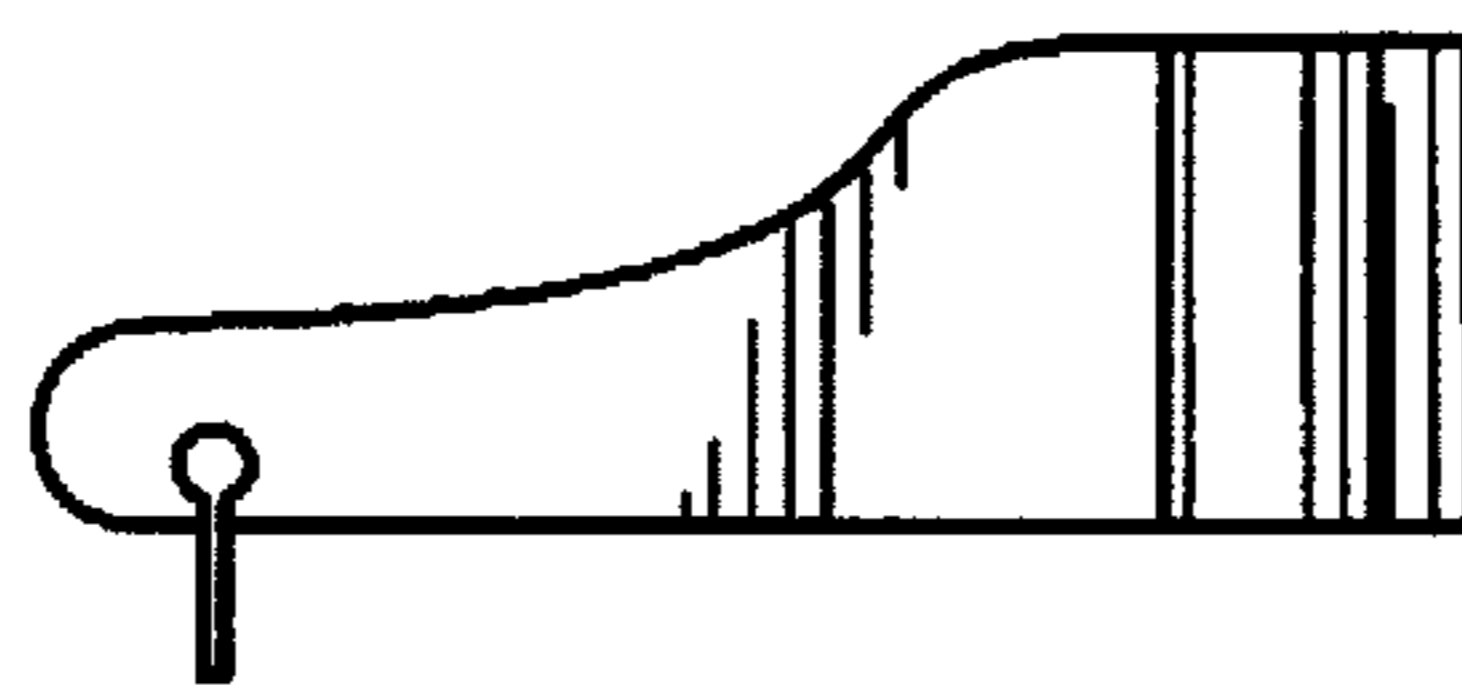


FIG. 7

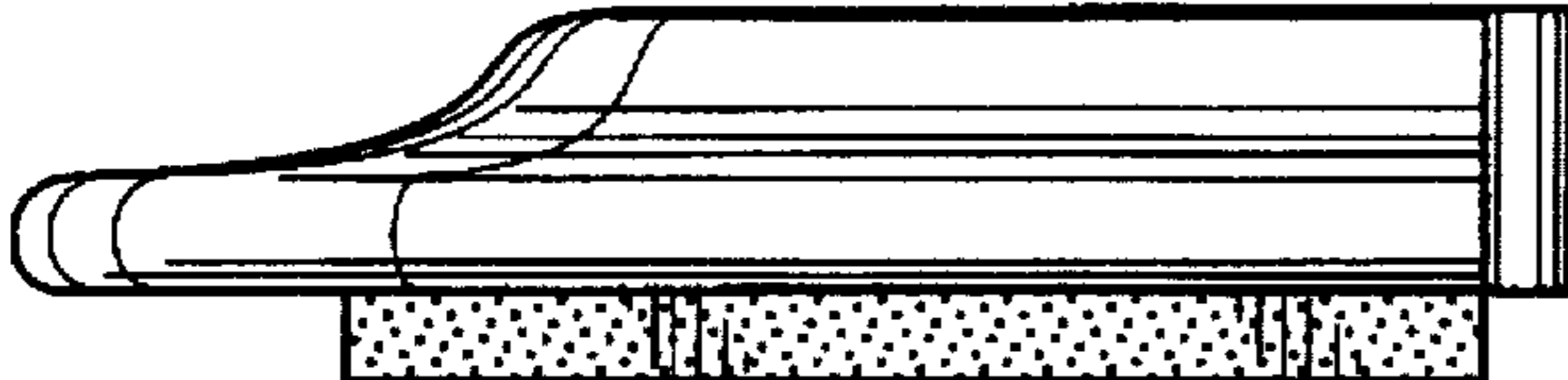


FIG. 8

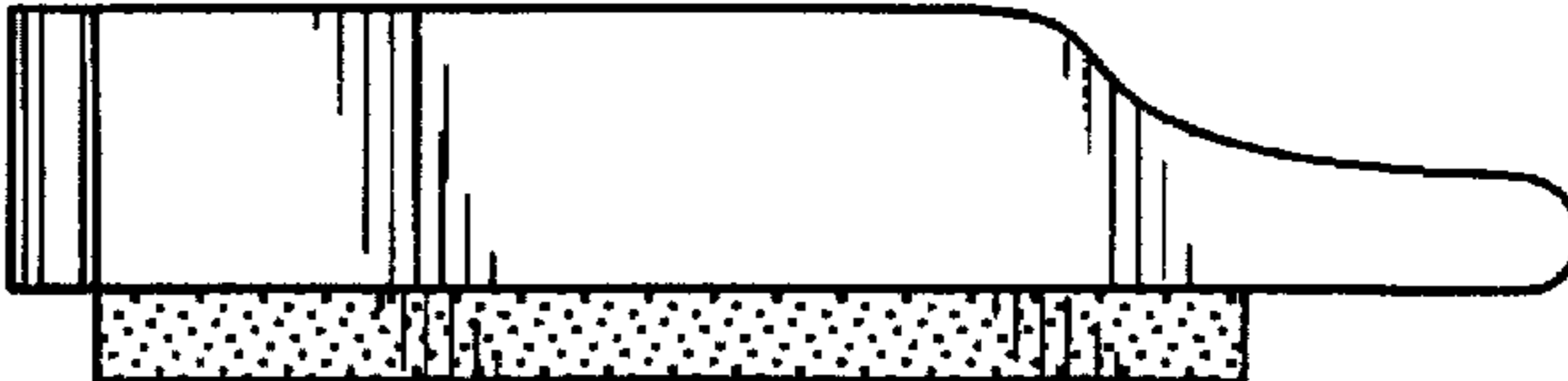


FIG. 9

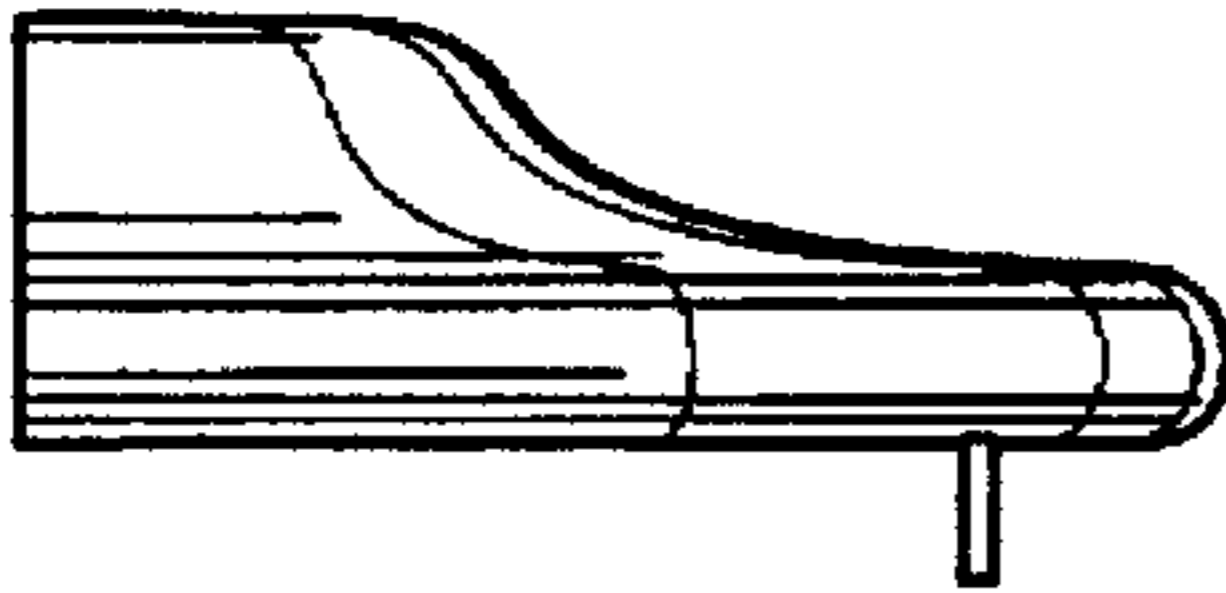


FIG. 10

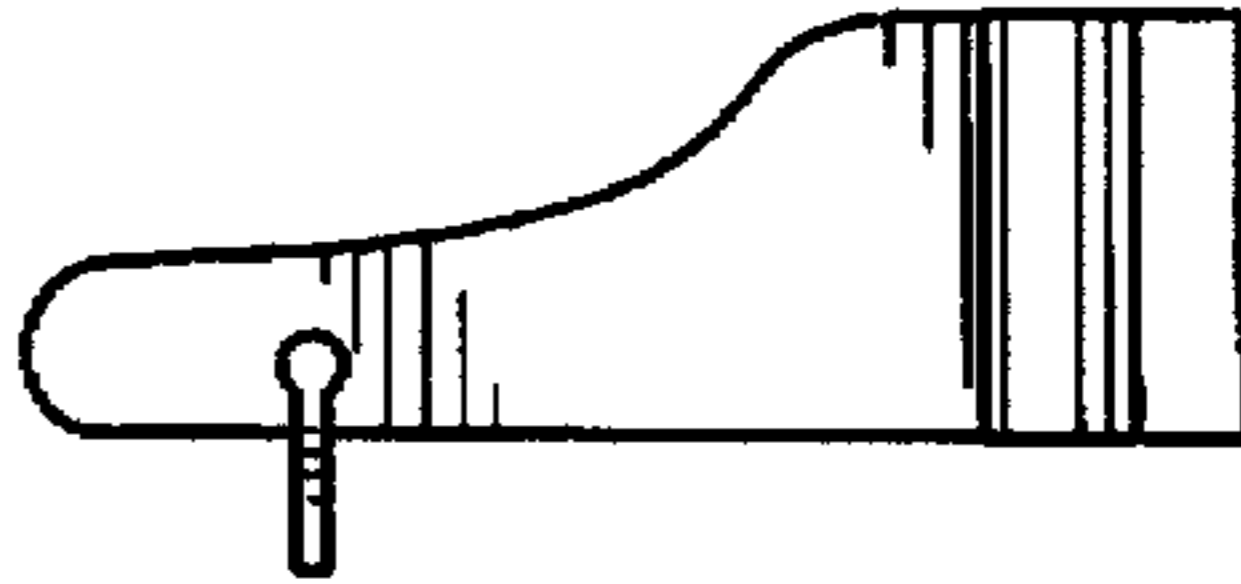


FIG. 11

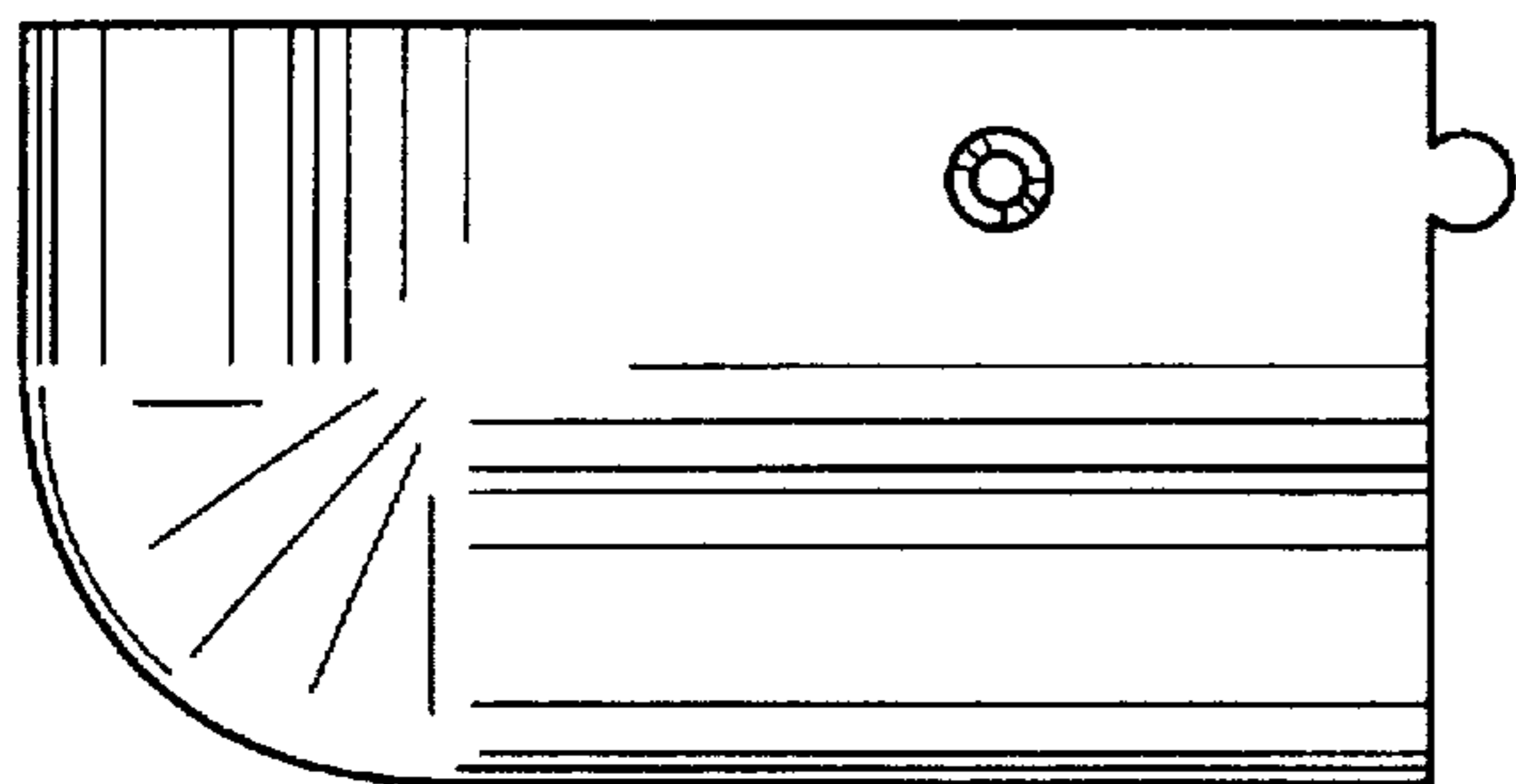


FIG. 12

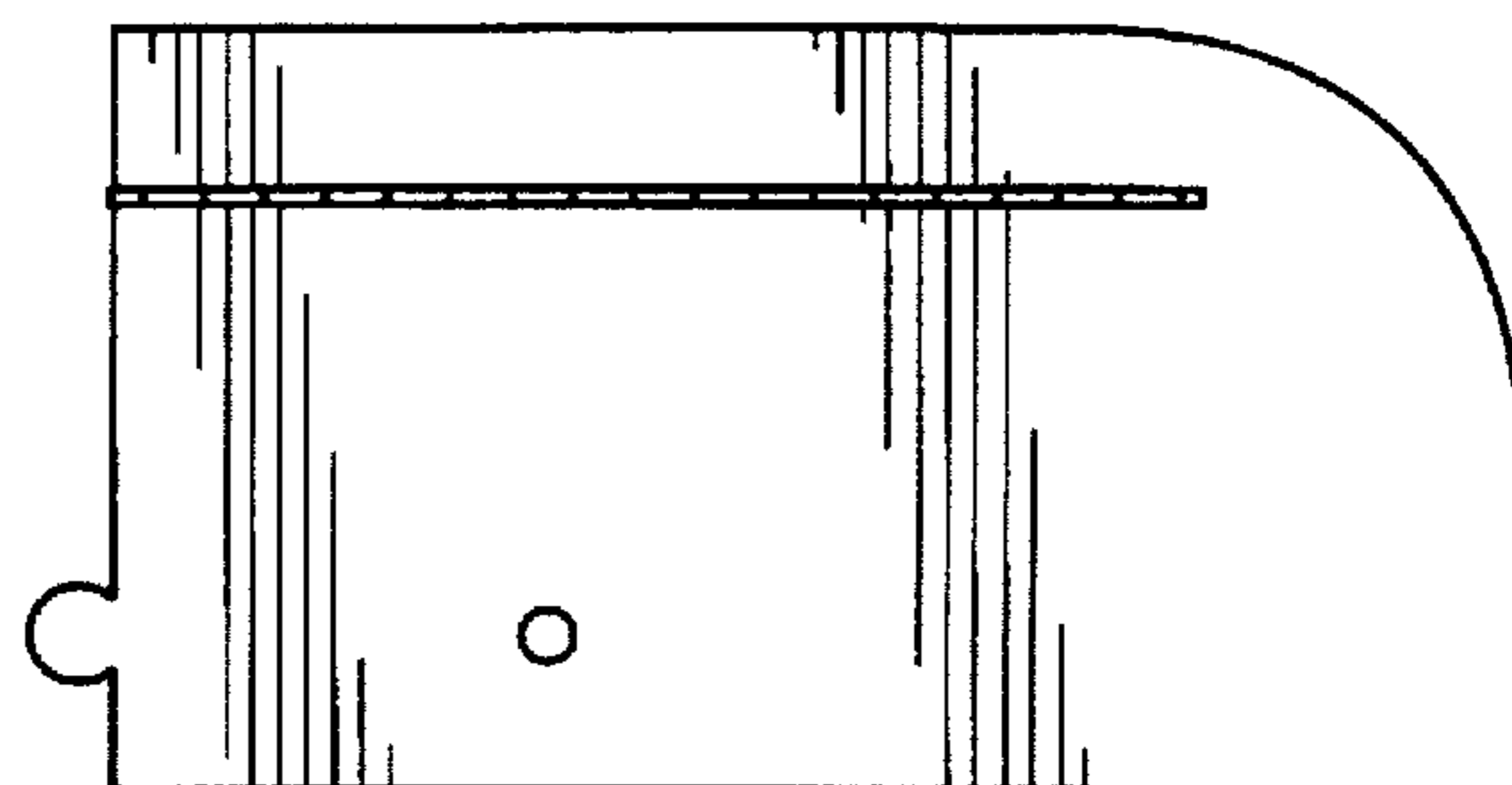


FIG. 13

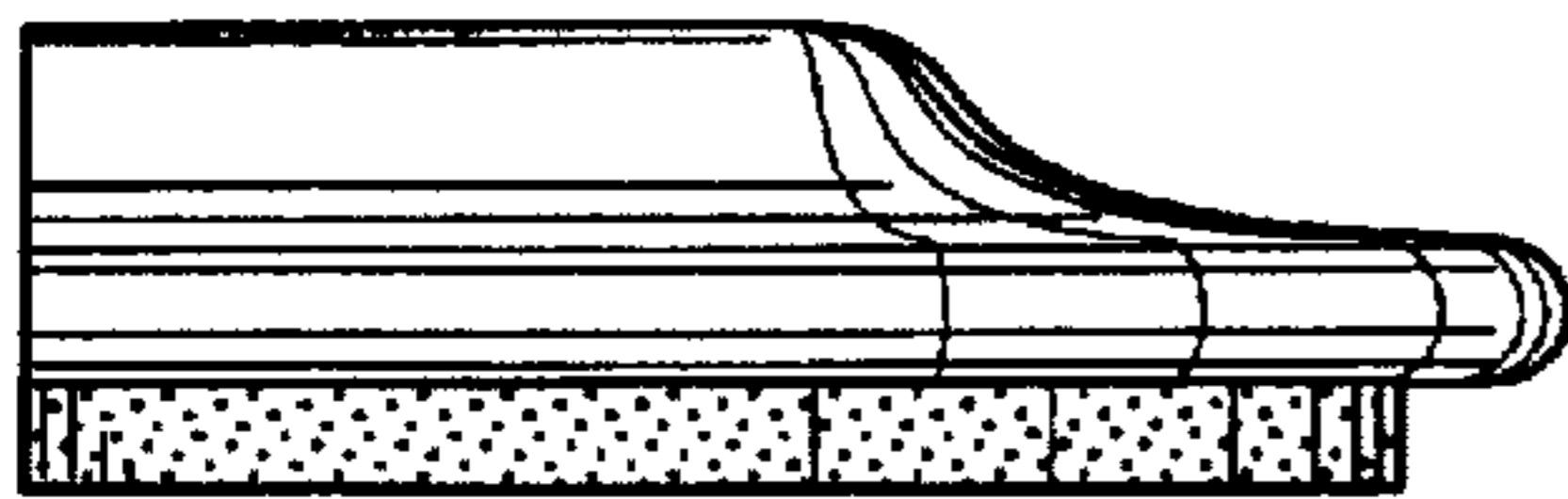


FIG. 14

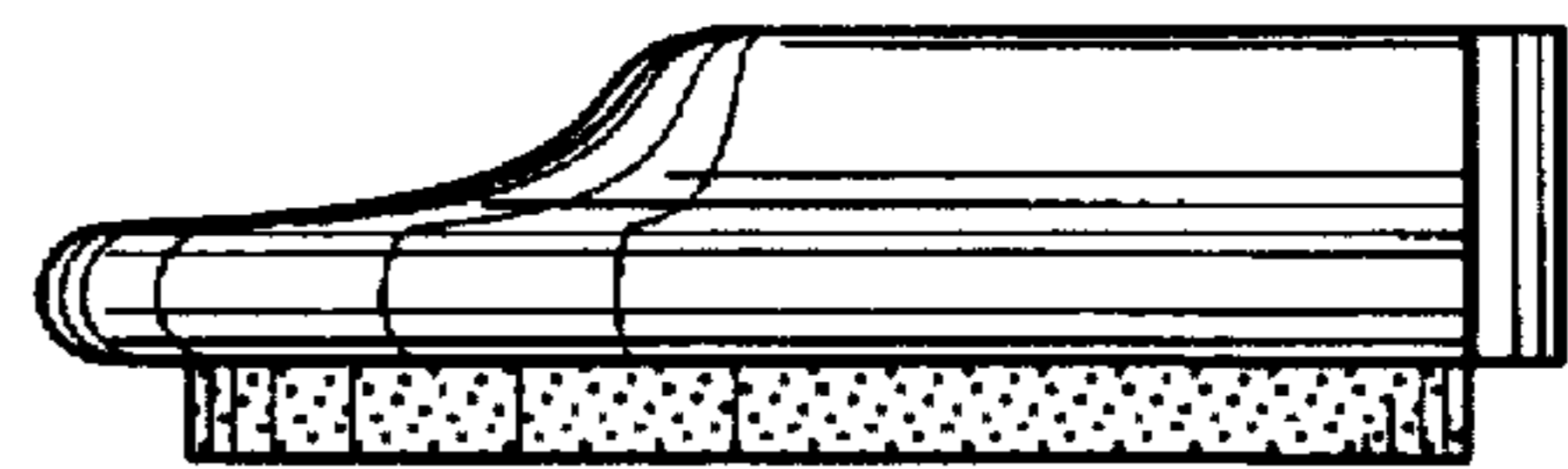


FIG. 15

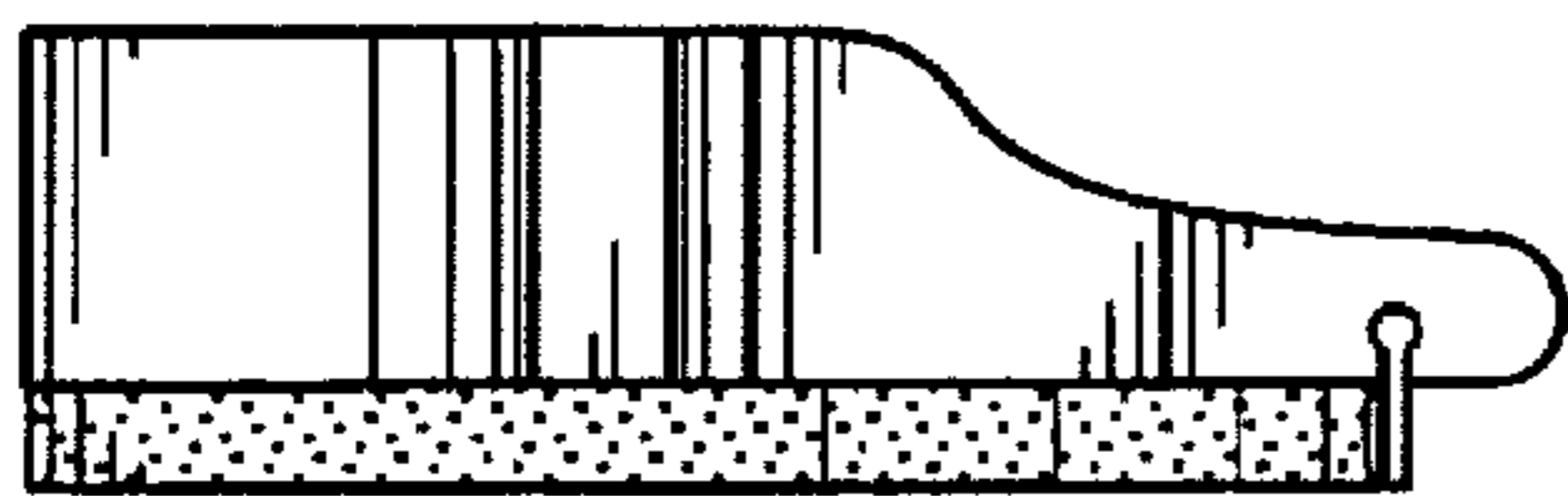


FIG. 16

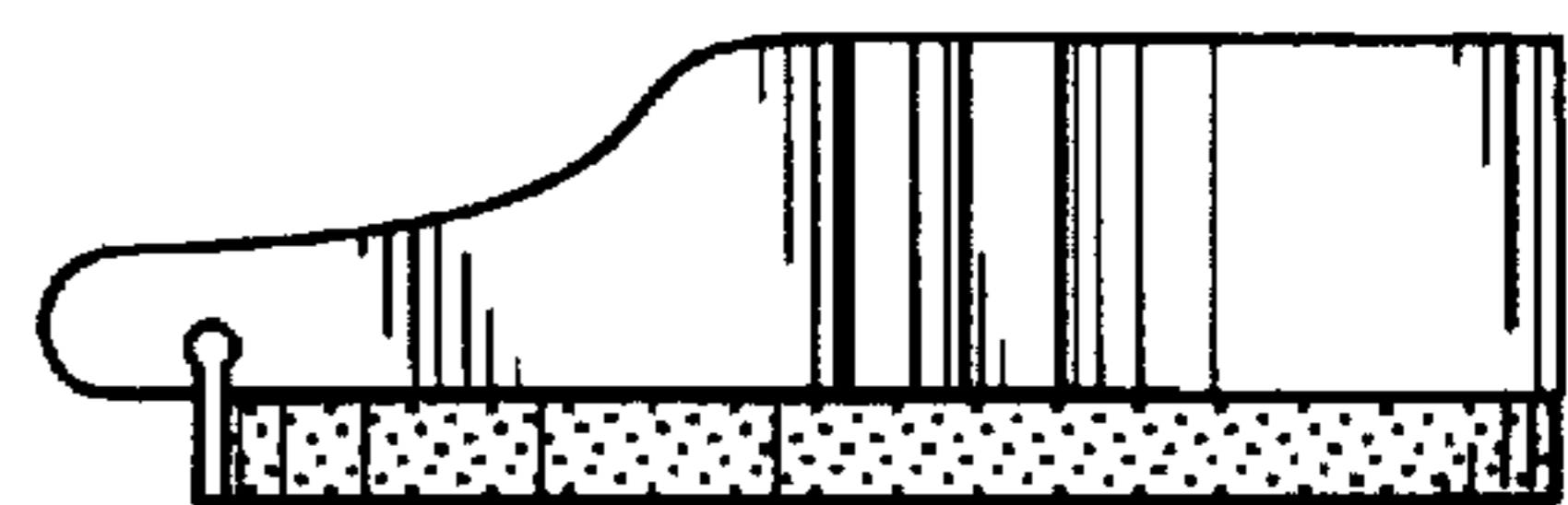


FIG. 17



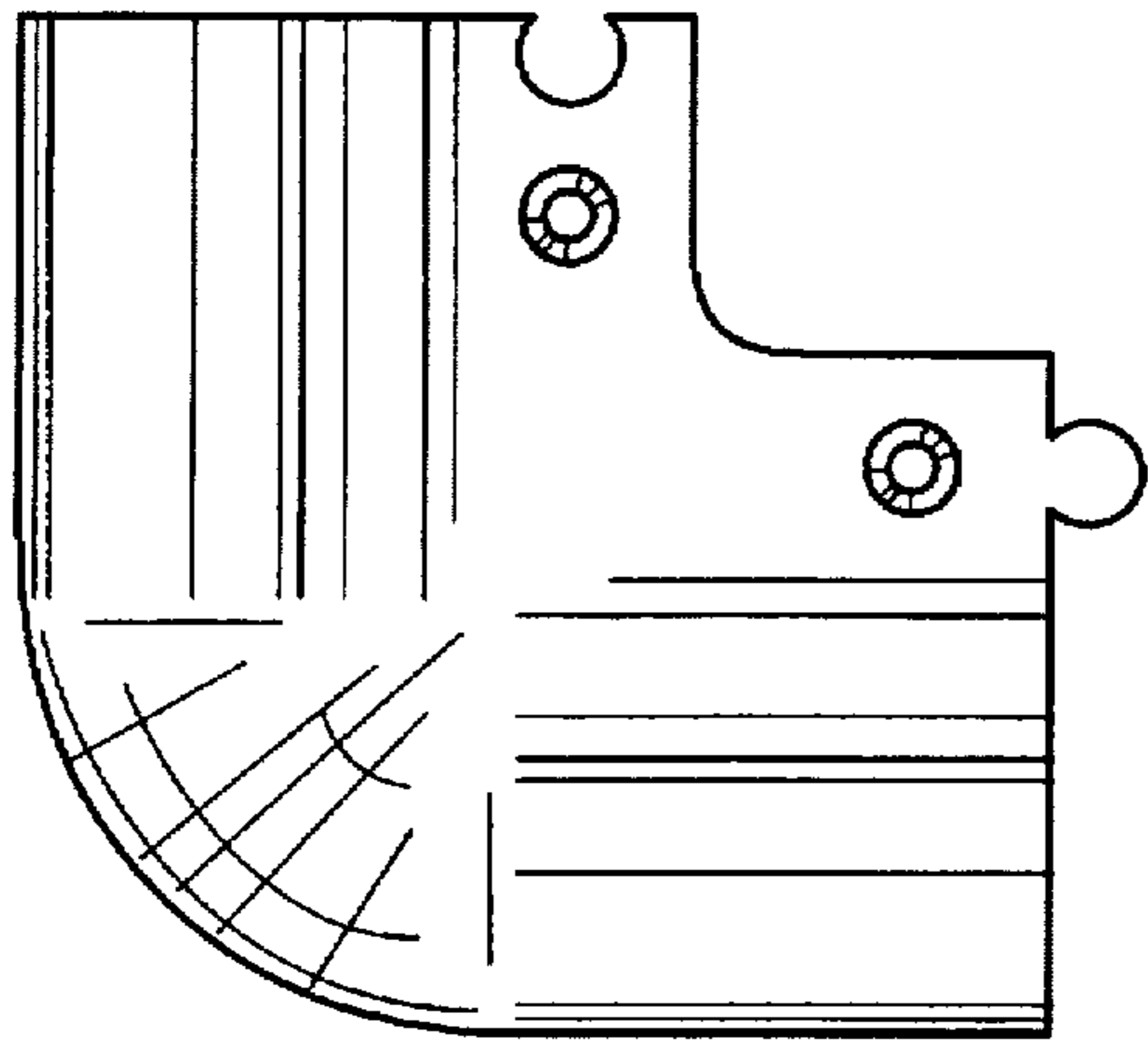


FIG. 18

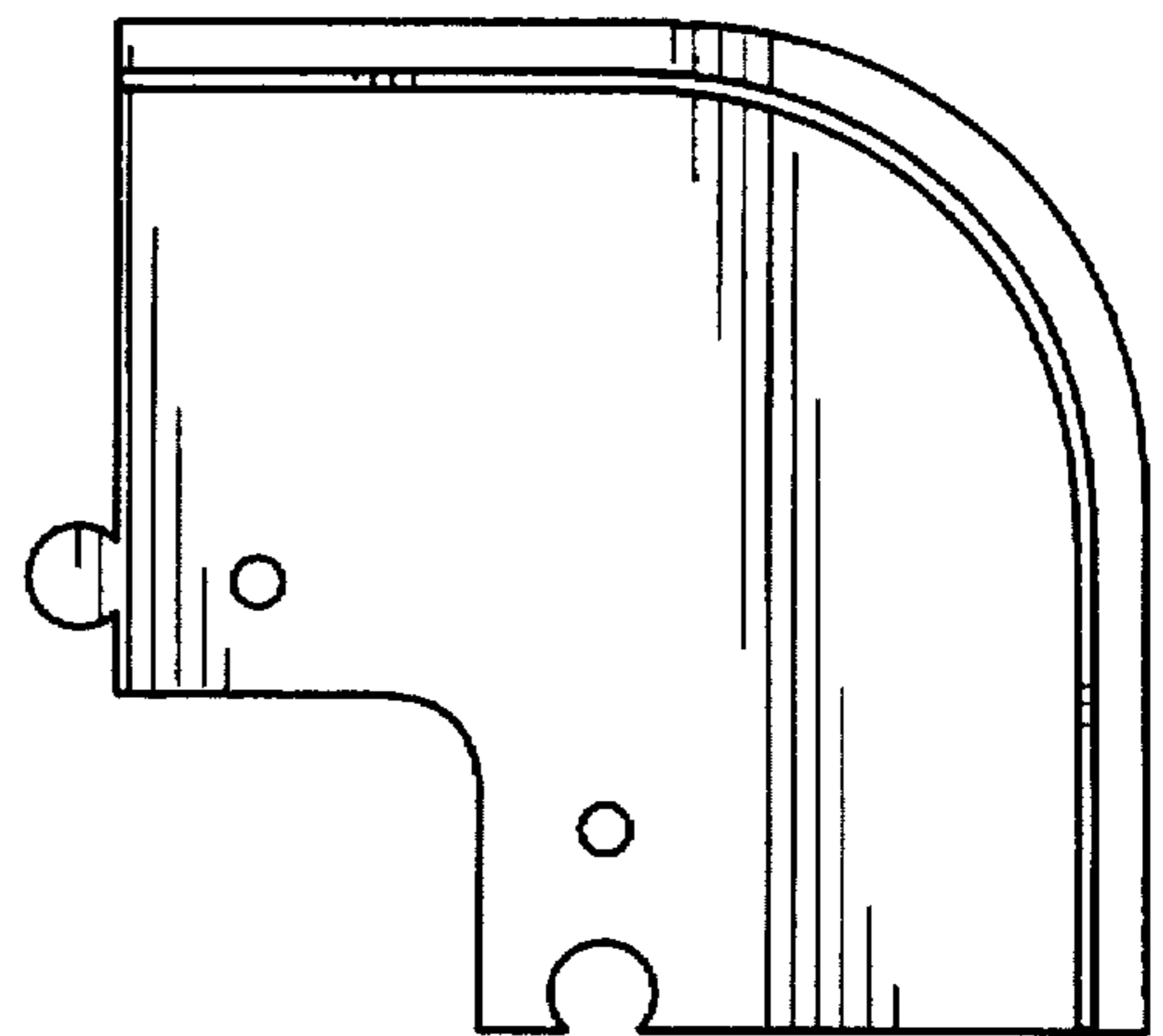


FIG. 19

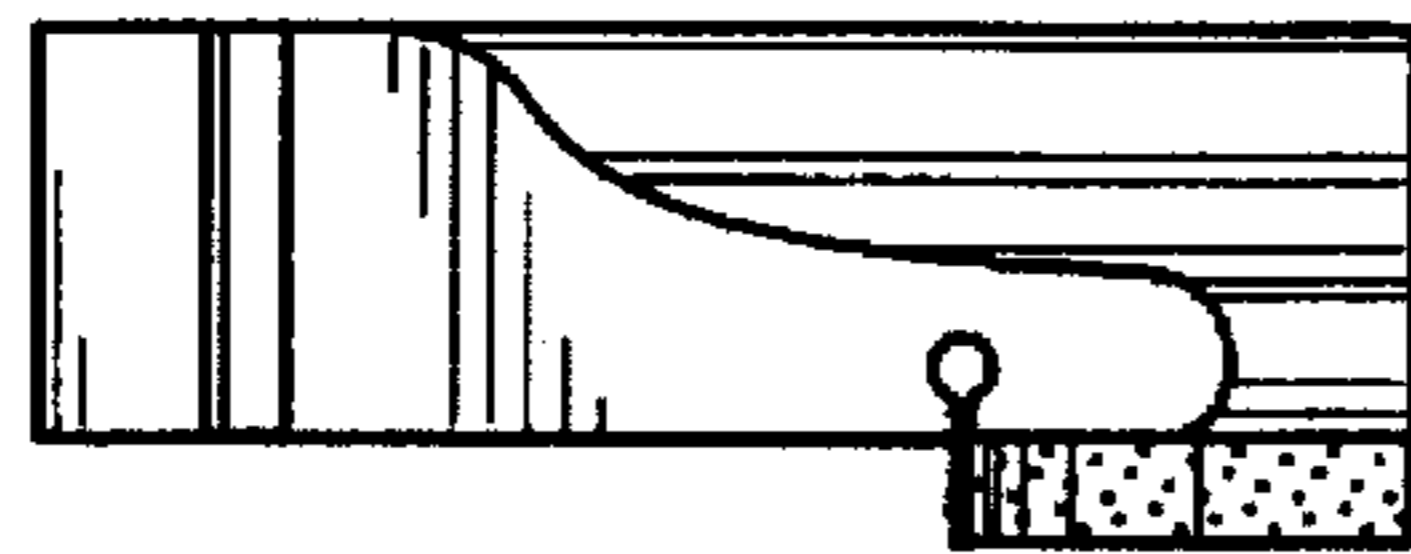


FIG. 20

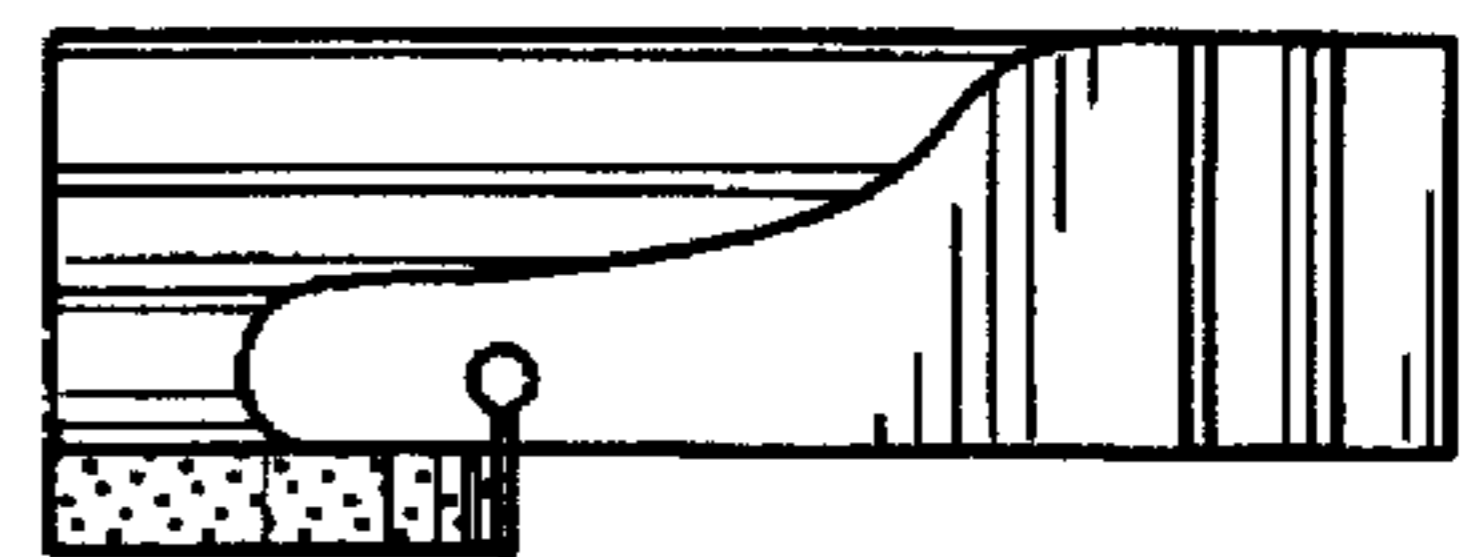


FIG. 21

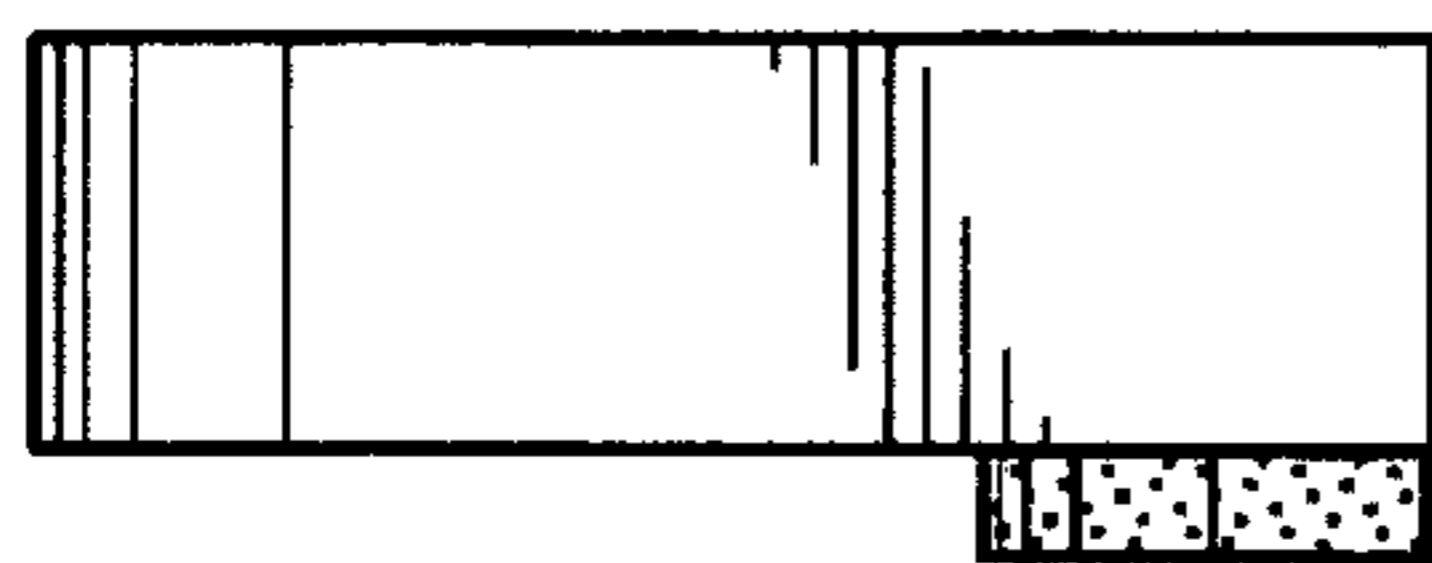


FIG. 22

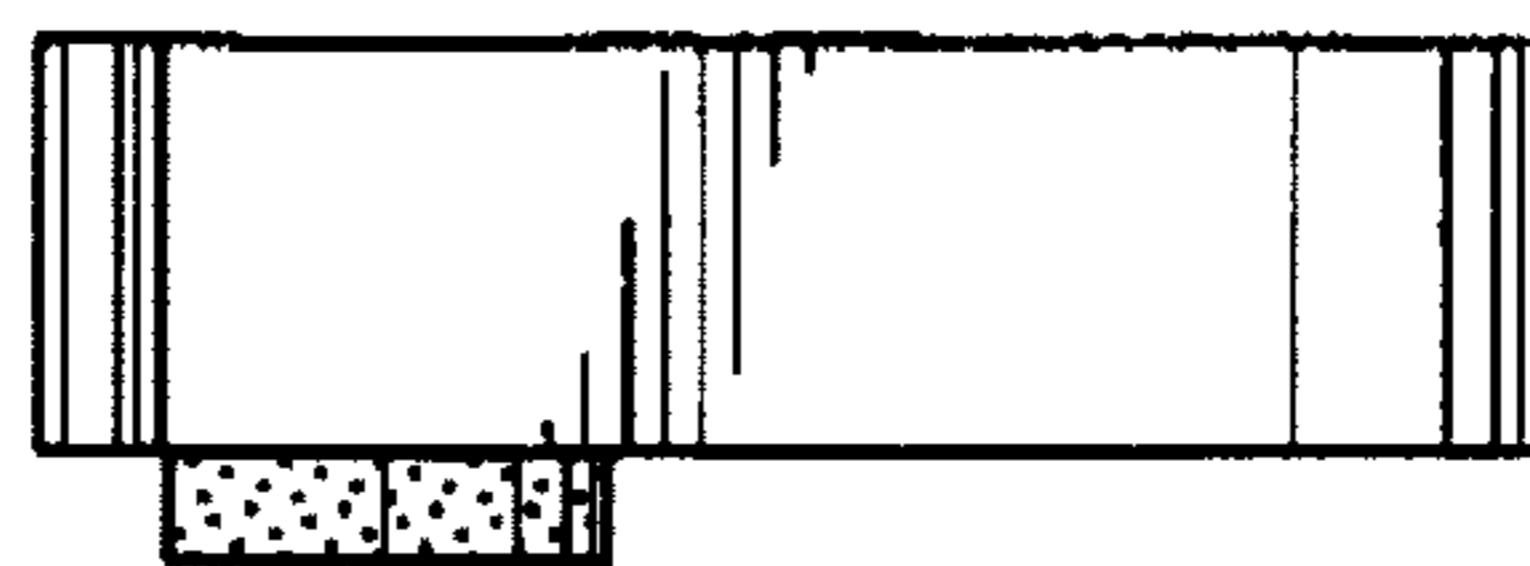


FIG. 23

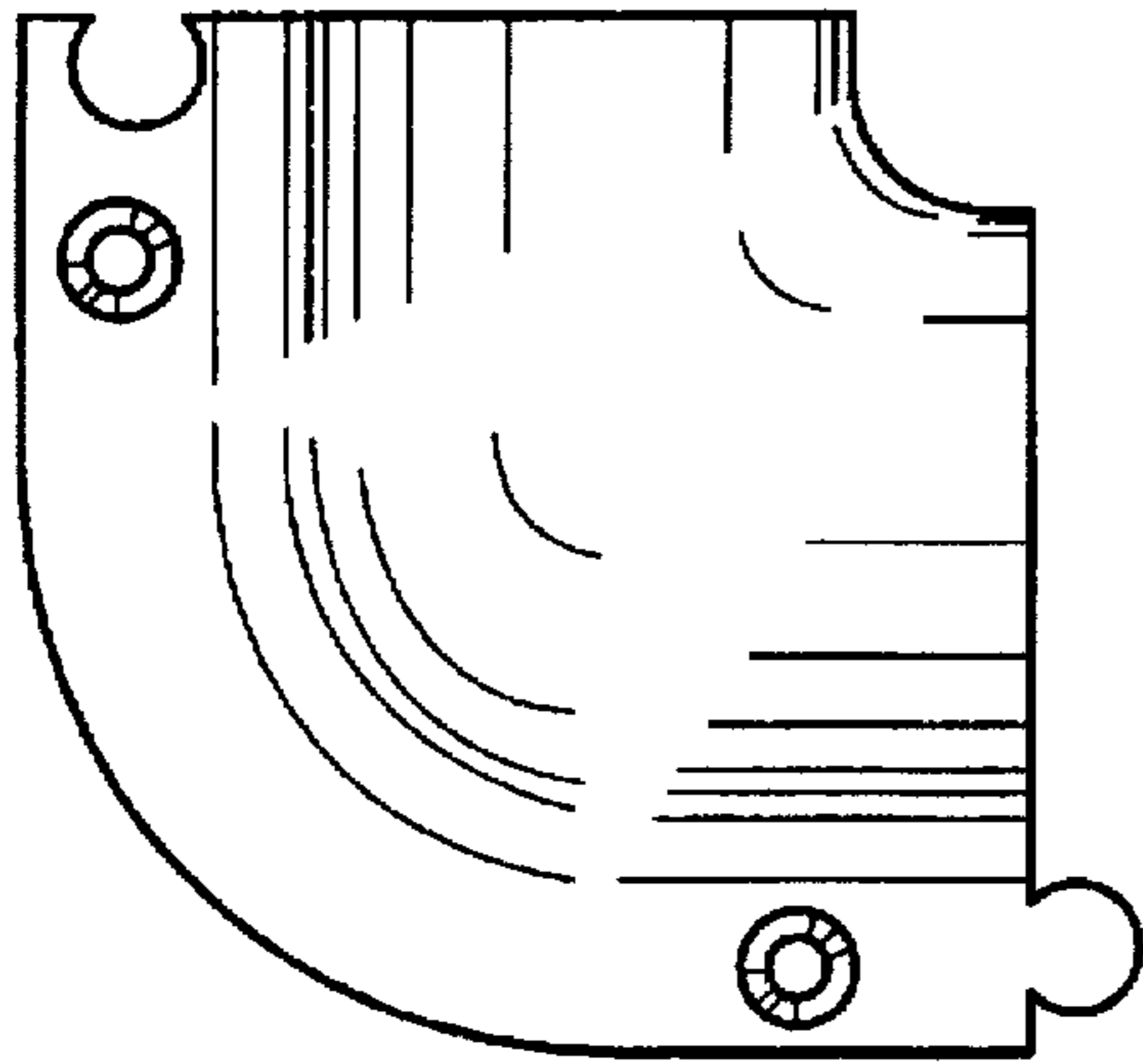


FIG. 24

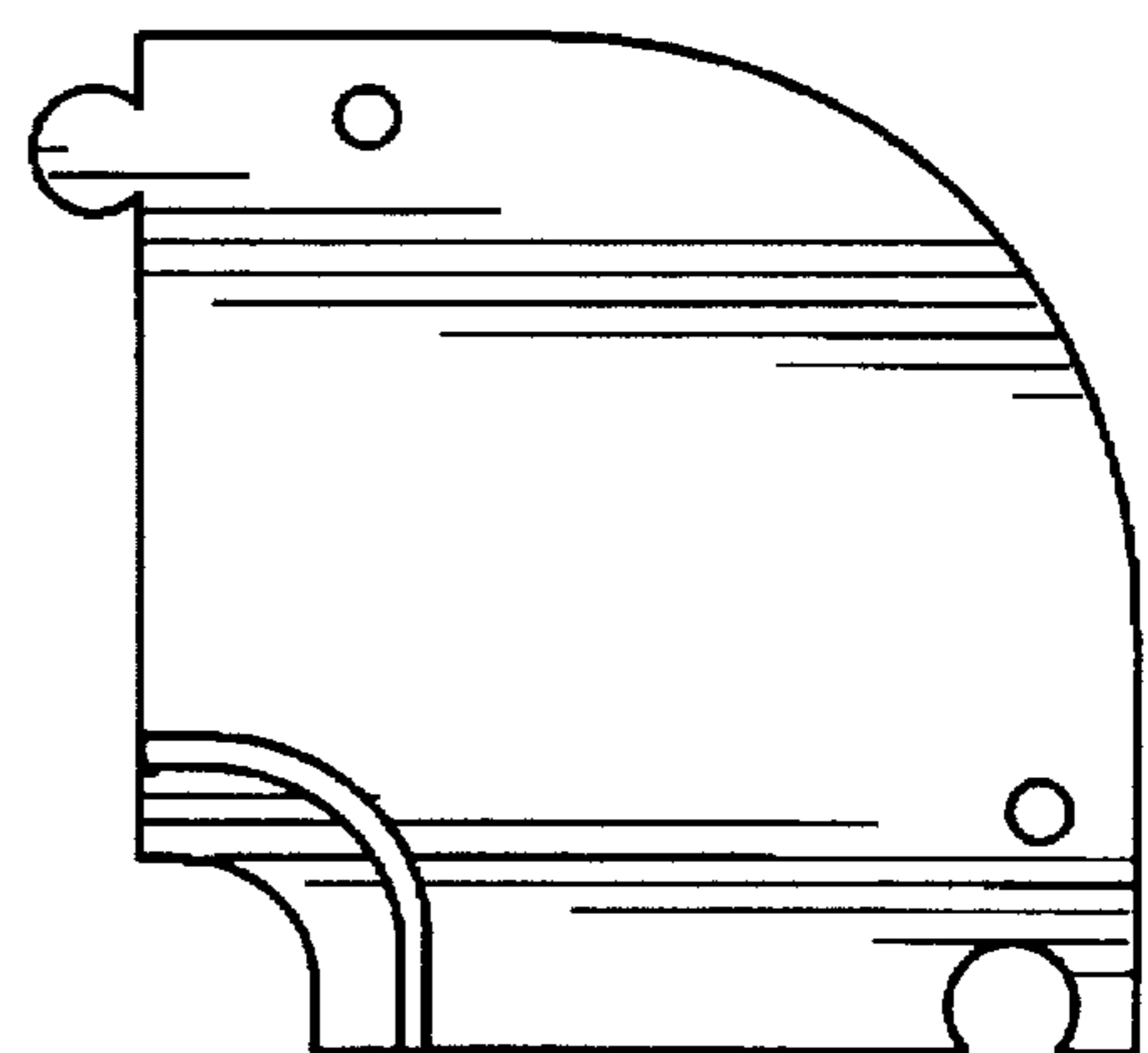


FIG. 25

FIG. 26

