



US00D385633S

United States Patent [19]

[11] Patent Number: **Des. 385,633**

De Rosa

[45] Date of Patent: ****Oct. 28, 1997**

[54] COMBINED STERILIZER AND STORAGE TUBE FOR MEDICAL INSTRUMENTS

[76] Inventor: **Eolo De Rosa**, 22 Paton Rd., Shrewsbury, Mass. 01542

[**] Term: **14 Years**

[21] Appl. No.: **13,944**

[22] Filed: **Oct. 7, 1993**

[51] LOC (6) Cl. **24-01**

[52] U.S. Cl. **D24/217**

[58] Field of Search D24/217; 422/292, 422/293, 297, 300, 303

[56] References Cited

U.S. PATENT DOCUMENTS

D. 140,141	1/1945	Glatthar et al.	D24/217
D. 212,087	8/1968	Fishman	D24/217
D. 329,094	9/1992	Houman	D24/217
D. 335,925	5/1993	Newman	D24/128
1,785,232	12/1930	Sims .	
1,993,329	3/1935	Johnson .	
2,219,417	10/1940	Furr .	
2,457,500	12/1948	Scandura .	
2,943,745	7/1960	Bjornson .	
3,099,355	7/1963	Kane .	
3,387,810	6/1968	Sakier .	
3,424,421	1/1969	Kalbow et al. .	
3,446,572	5/1969	Souza	D24/217 X
4,327,060	4/1982	Nisii	D24/217 X
4,748,007	5/1988	Gaudion et al.	422/300
4,754,877	7/1988	Johansson et al.	D24/728 X
4,763,678	8/1988	Ott	422/300 X
4,995,509	2/1991	Kornfeind .	
5,225,160	7/1993	Sanford et al.	422/242 X

OTHER PUBLICATIONS

Laryngoscope 102 Magazine, Jun. 1992, Aztec Medical Products, Inc. advertisement for Endocaddy.

Primary Examiner—Stella Reid
Attorney, Agent, or Firm—Barlow & Barlow, Ltd.

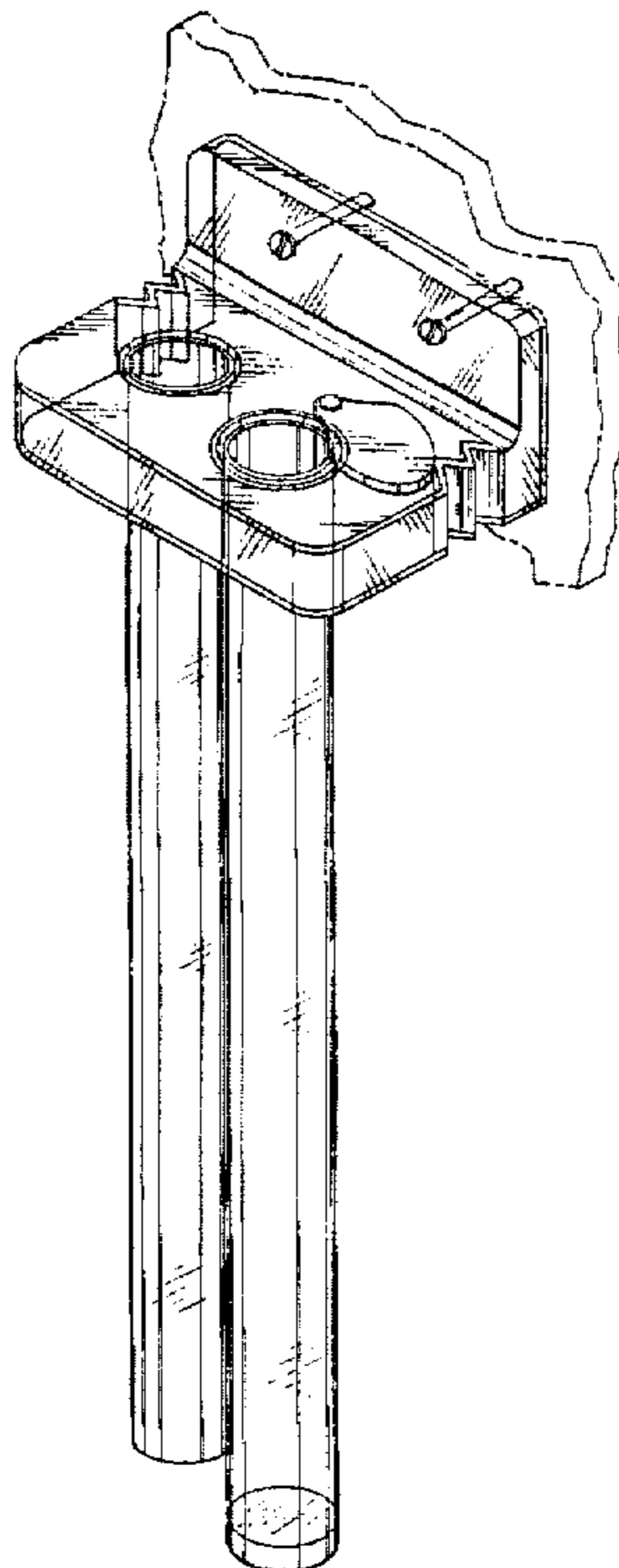
[57] CLAIM

The ornamental design for a combined sterilizer and storage tube for medical instruments, as shown and described.

DESCRIPTION

FIG. 1 is a perspective view of a combined sterilizer and storage tube for medical instruments showing my new design, with the lid in the open position;
 FIG. 2 is a right side elevational view thereof, with the lid in closed position;
 FIG. 3 is a left side elevational view thereof, as shown in FIG. 2;
 FIG. 4 is a front elevational view thereof, as shown in FIG. 2;
 FIG. 5 is a bottom plan view thereof;
 FIG. 6 is a top plan view thereof;
 FIG. 7 is a front elevational view thereof, with the lid in open position;
 FIG. 8 is a front elevational view thereof, with the lid in closed position as shown in FIG. 7; and,
 FIG. 9 is a front elevational view thereof; and,
 FIG. 10 is a rear elevational view, as shown in FIG. 2.
 The tubes in FIGS. 2-4, 7, 8 and 10 have been shown broken away for ease of illustration.
 The broken line showing of the wall and medical instrument is for illustrative purposes only and forms no part of the claimed design.

1 Claim, 6 Drawing Sheets



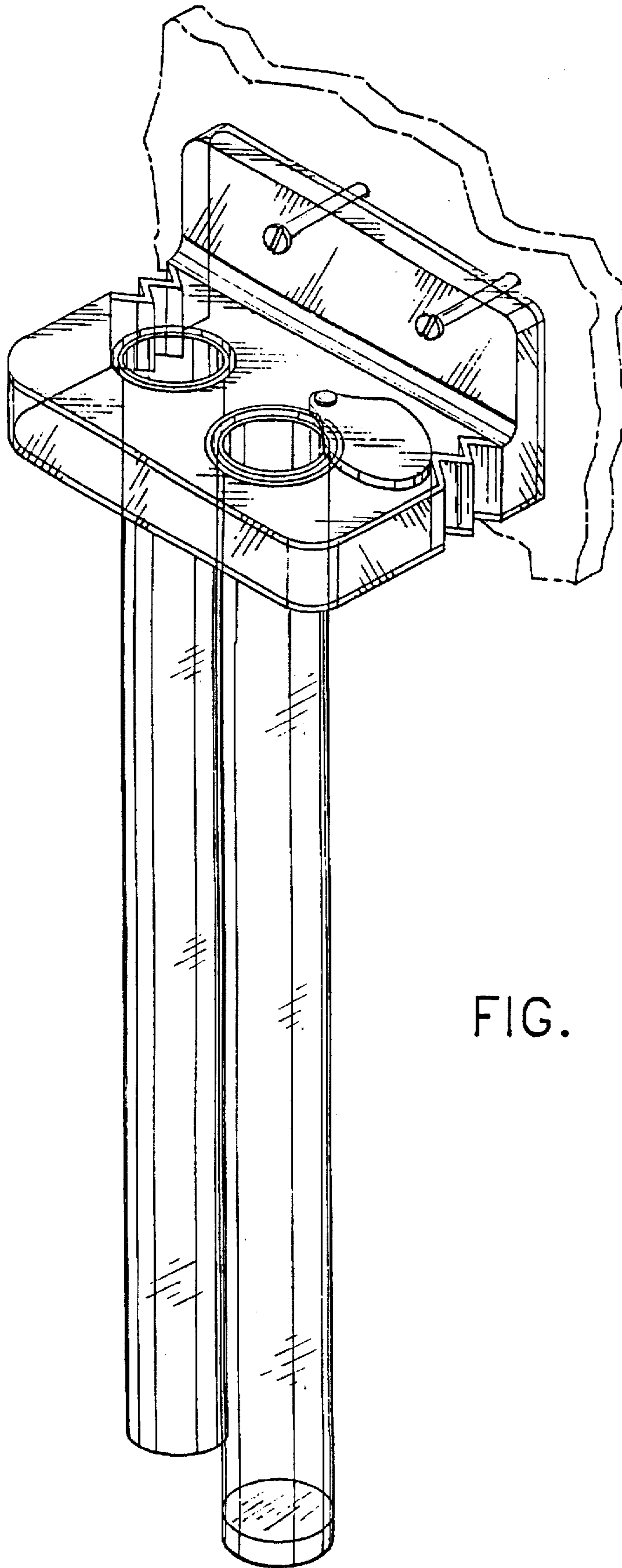


FIG. 1

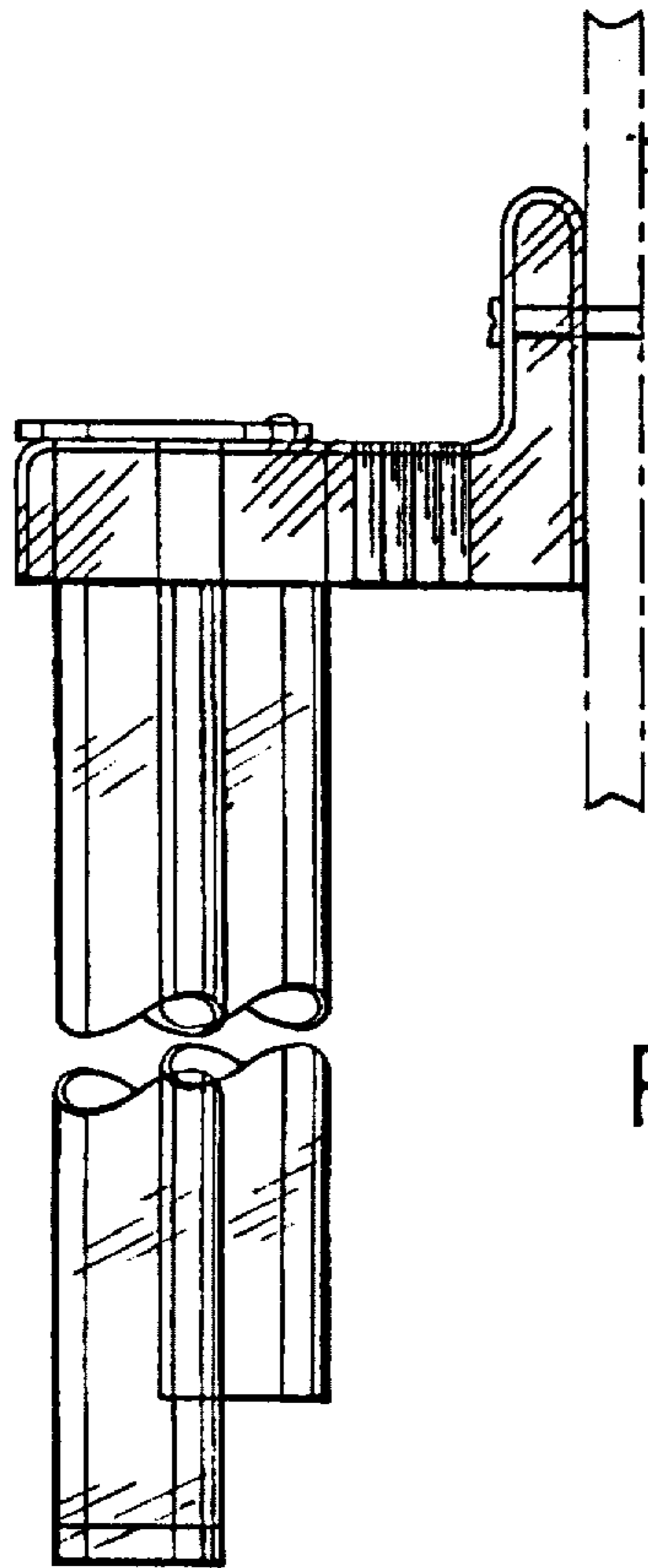


FIG. 2

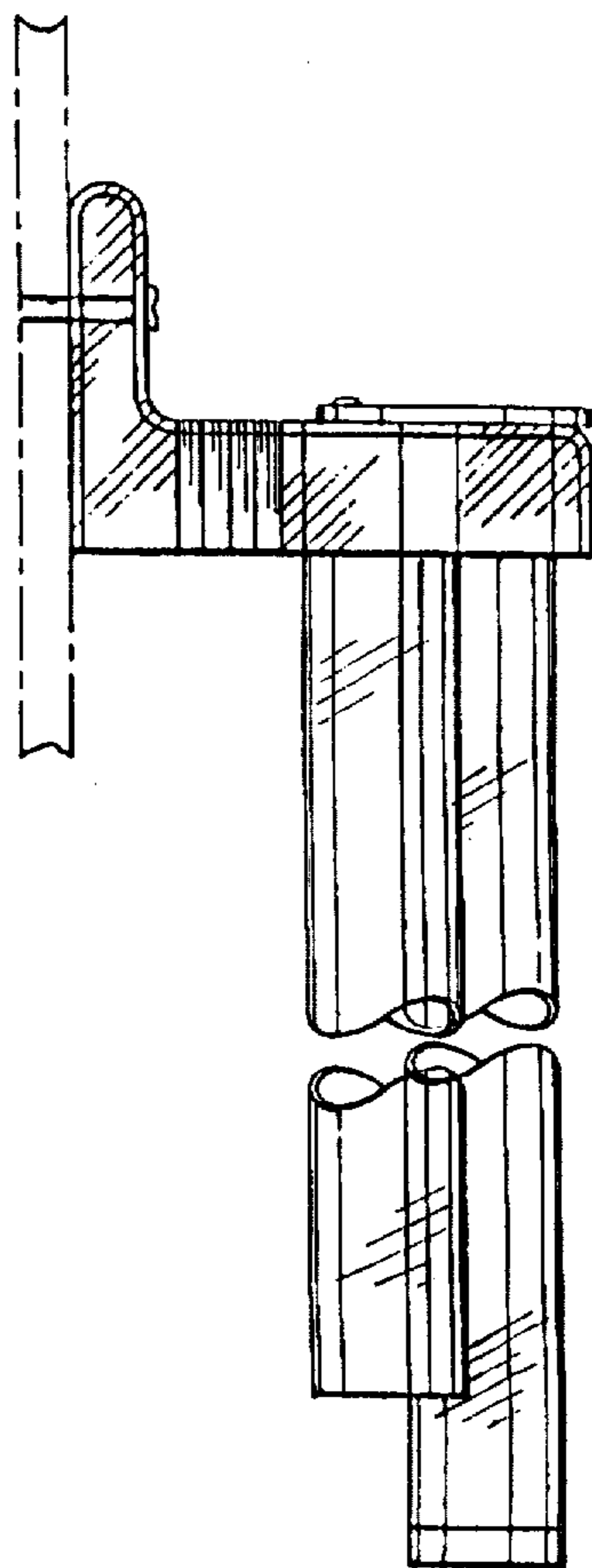


FIG. 3

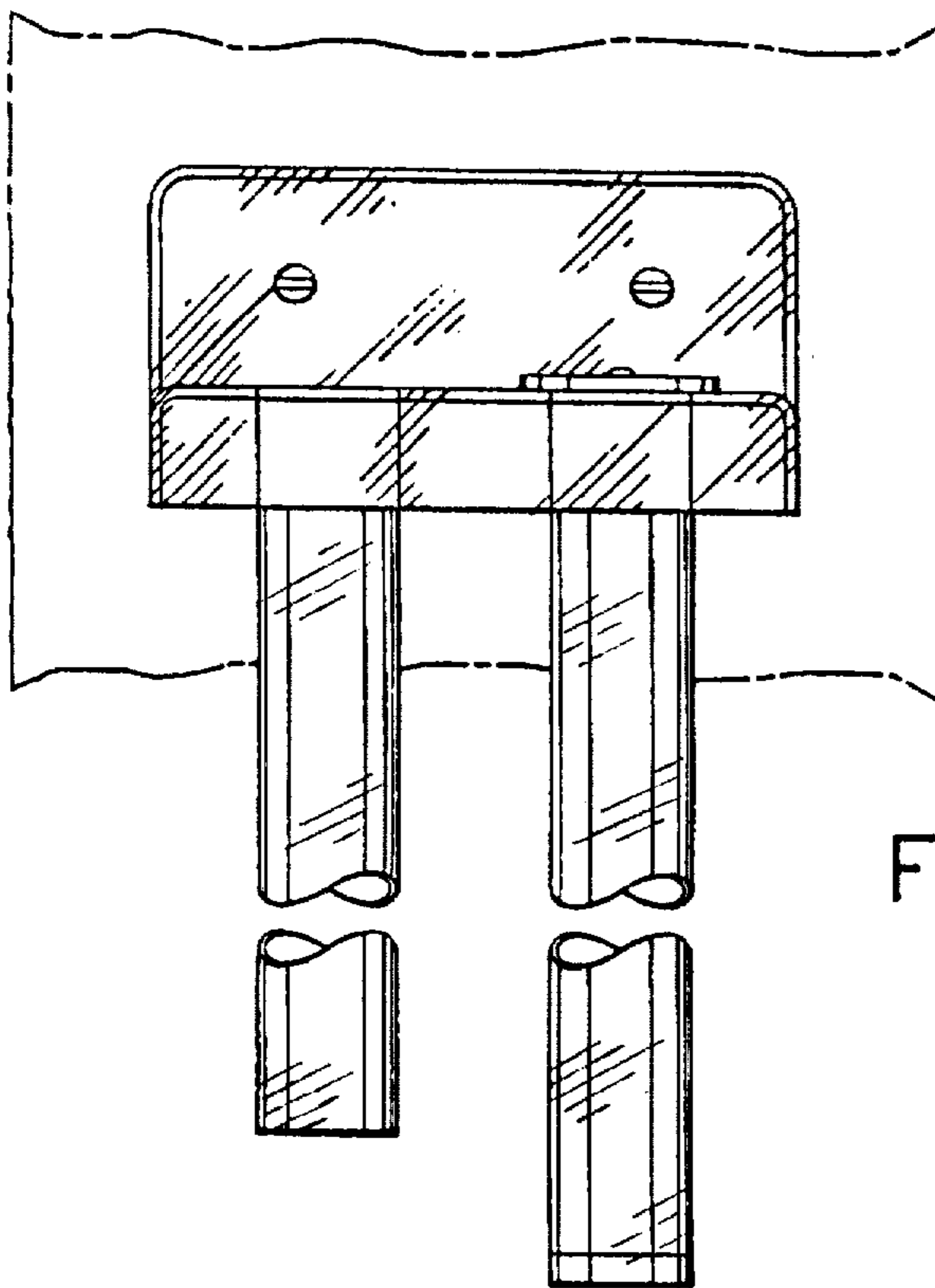


FIG. 4

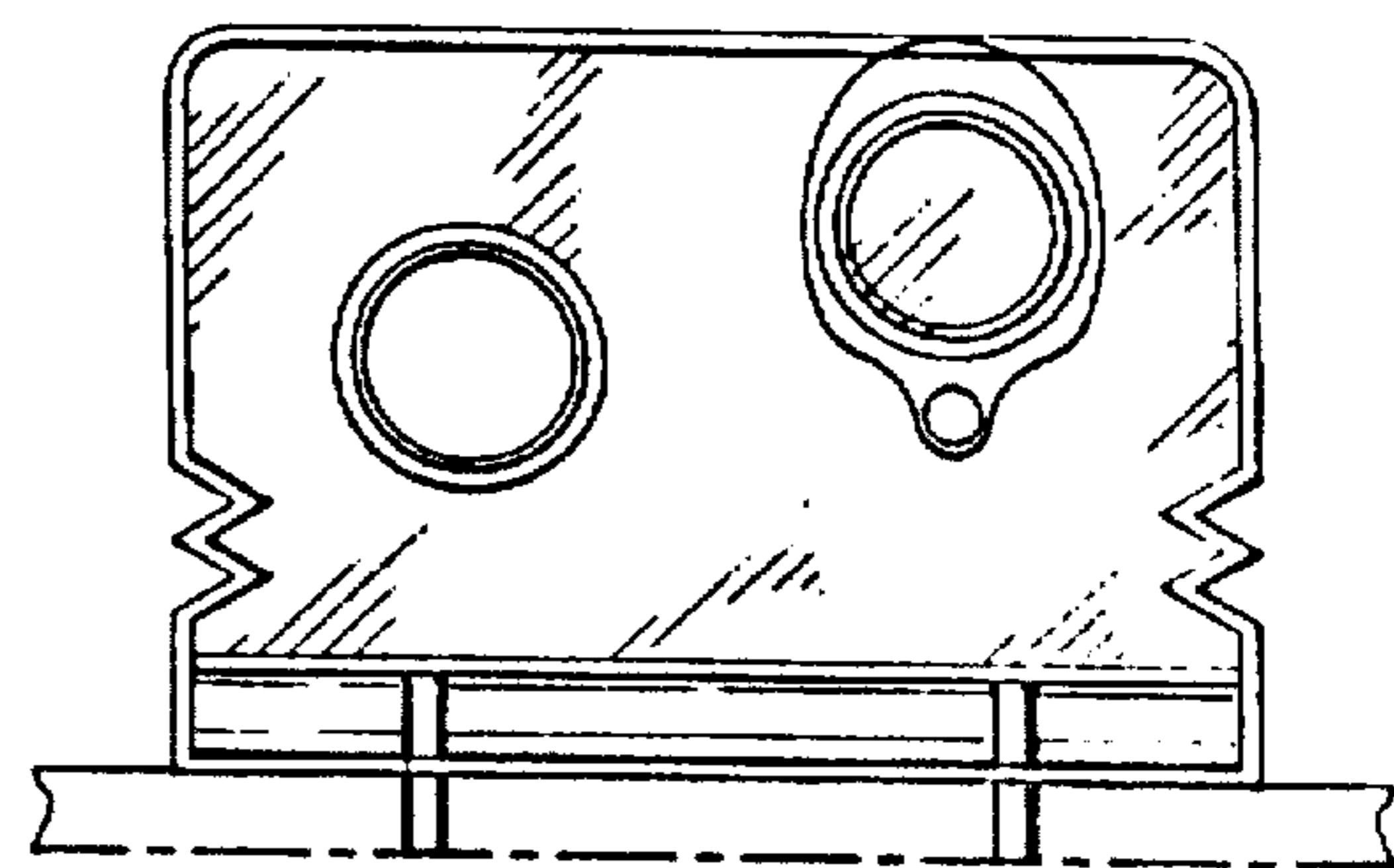


FIG. 5

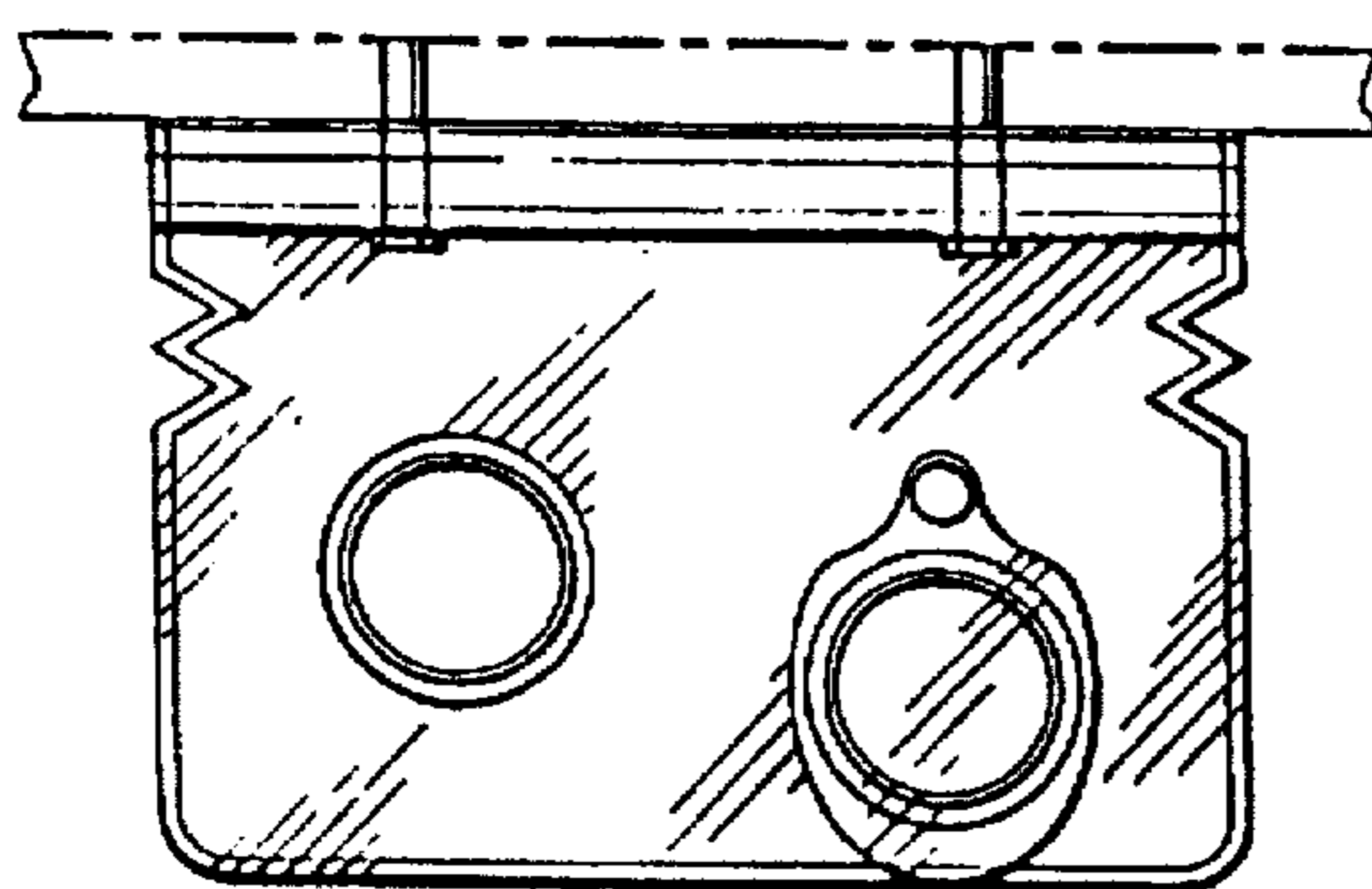


FIG. 6

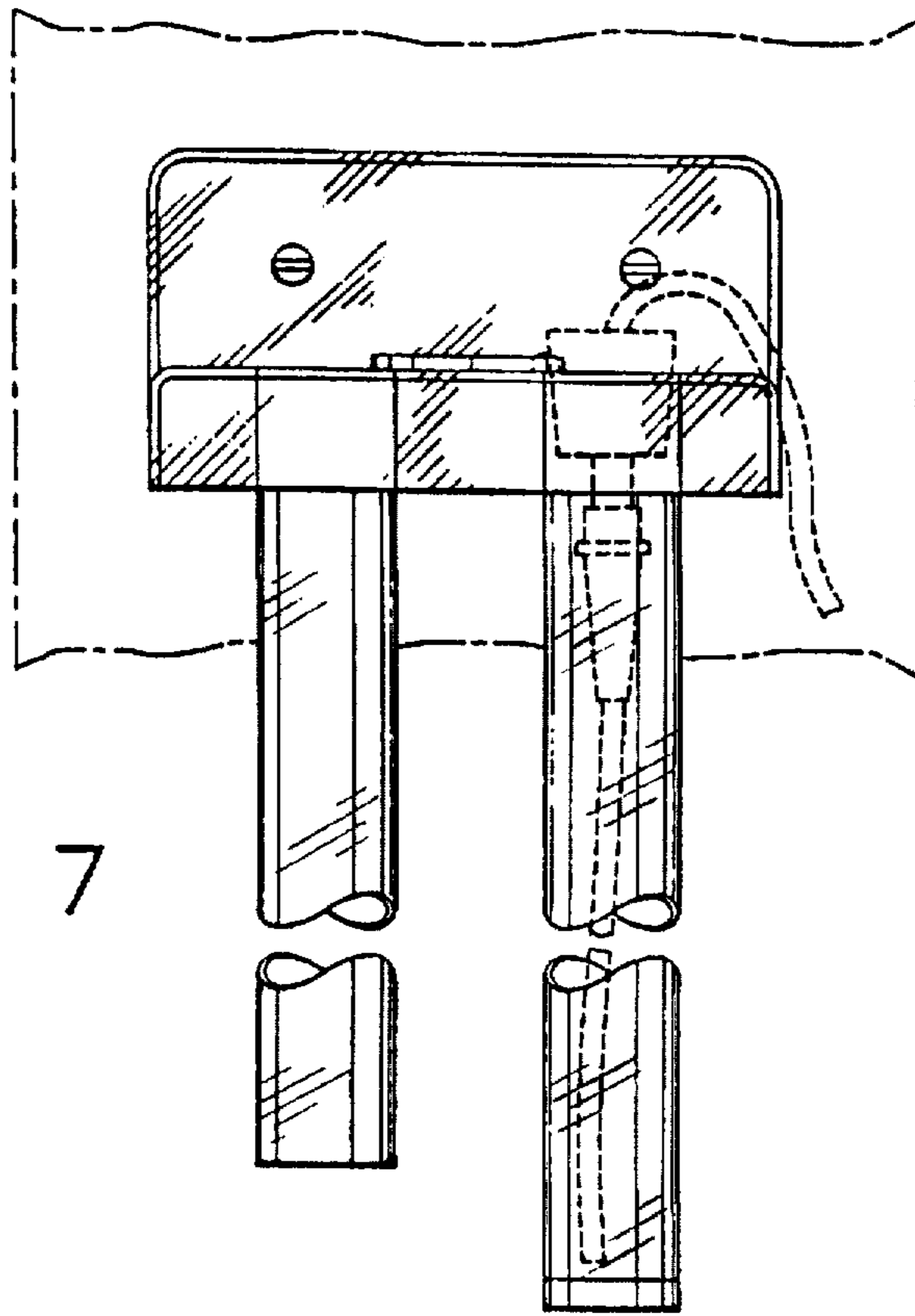


FIG. 7

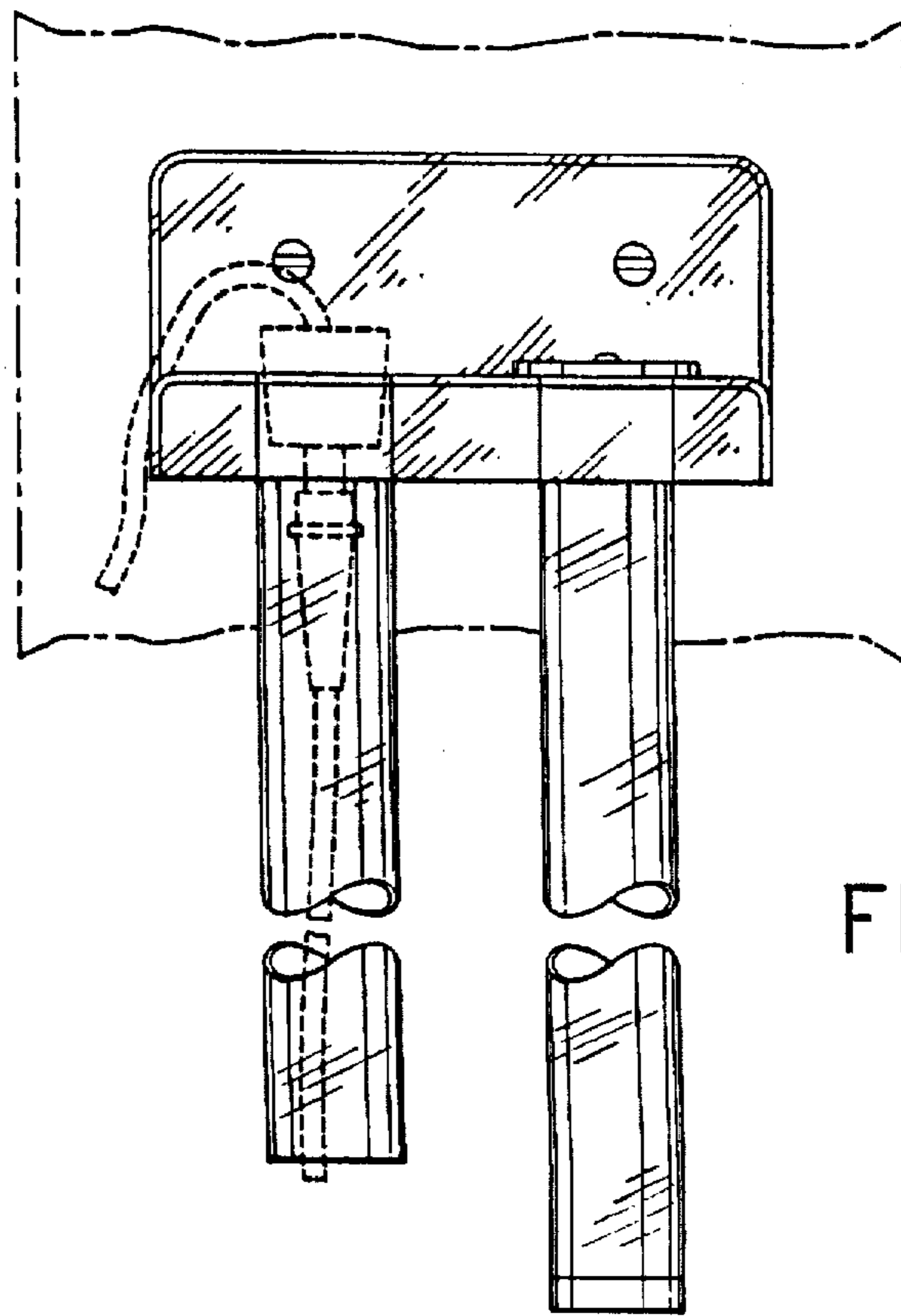


FIG. 8

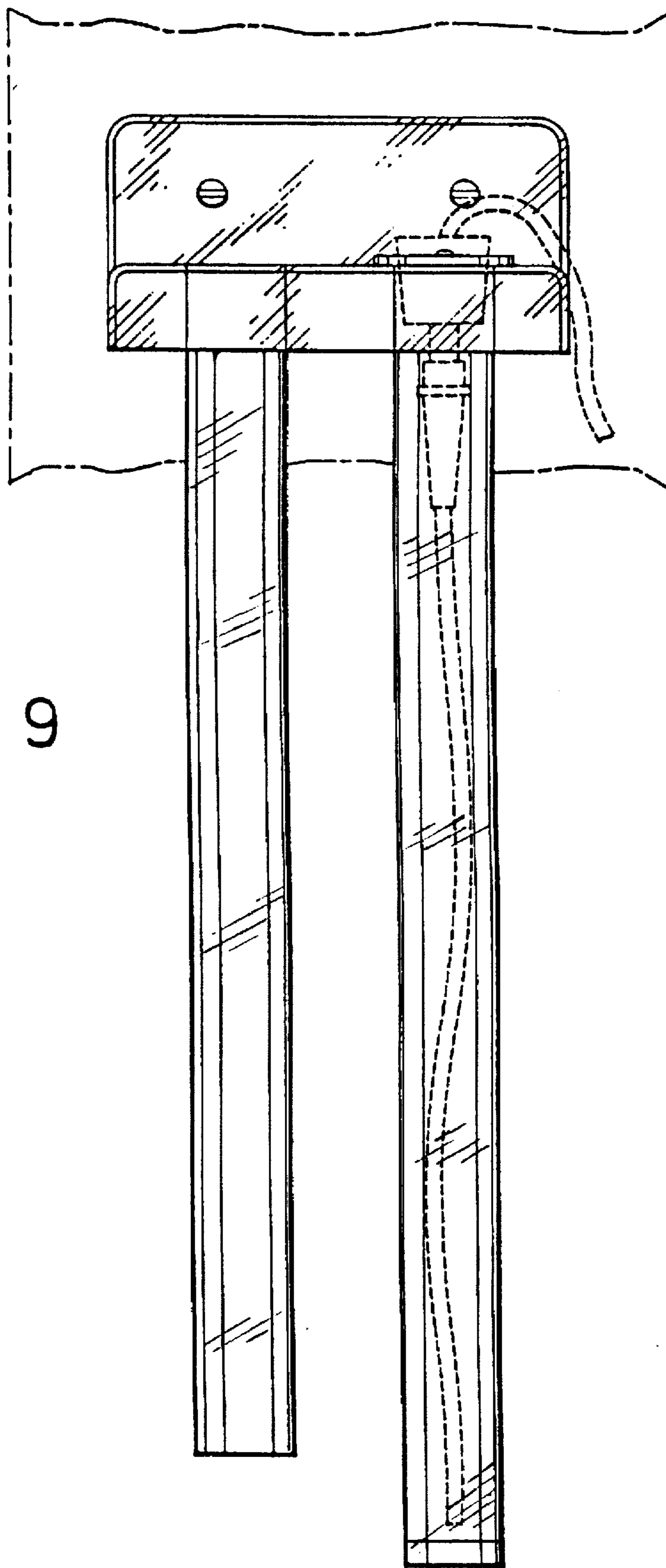


FIG. 9

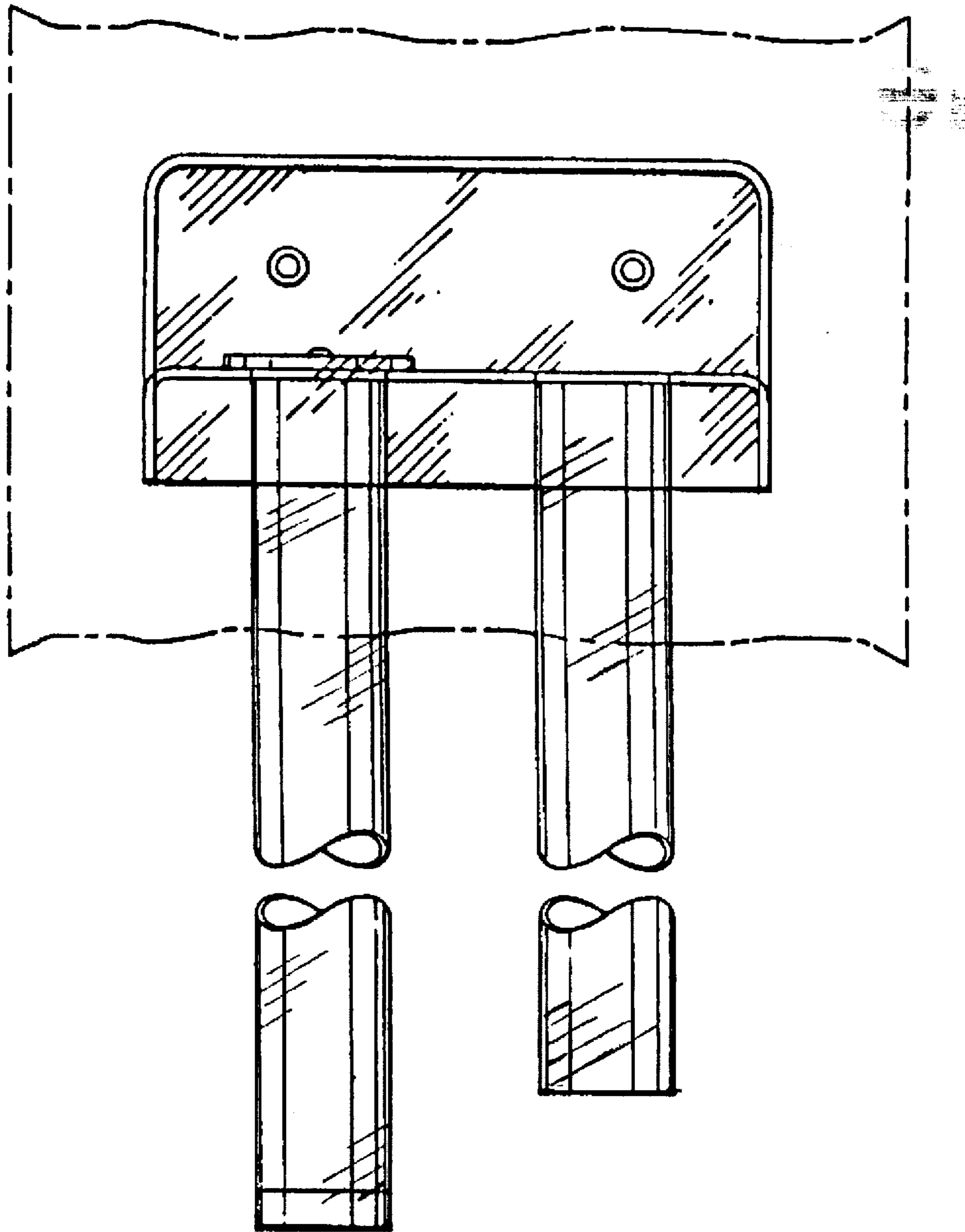


FIG. 10