

US00D385618S

United States Patent [19]

[11] Patent Number: **Des. 385,618**

Weinacker, Jr.

[45] Date of Patent: ****Oct. 28, 1997**

[54] **PORTABLE SHOWER HEAD**

4,623,095 11/1986 Pronk 239/318
4,901,765 2/1990 Poe 239/318

[76] Inventor: **Charles W. Weinacker, Jr.**, 901 Gayfer Ave., Fairhope, Ala. 36532

Primary Examiner—Brian N. Vinson
Assistant Examiner—Robin U. Taylor
Attorney, Agent, or Firm—Rader, Fishman & Grauer PLLC

[**] Term: **14 Years**

[57] **CLAIM**

[21] Appl. No.: **57,734**

The ornamental design for a portable shower head, as shown and described.

[22] Filed: **Jun. 25, 1996**

[51] LOC (6) Cl. **23-01**

[52] U.S. Cl. **D23/229**

[58] Field of Search D23/213, 223-226, D23/229-230; 239/548, 556, 559, 315-318

DESCRIPTION

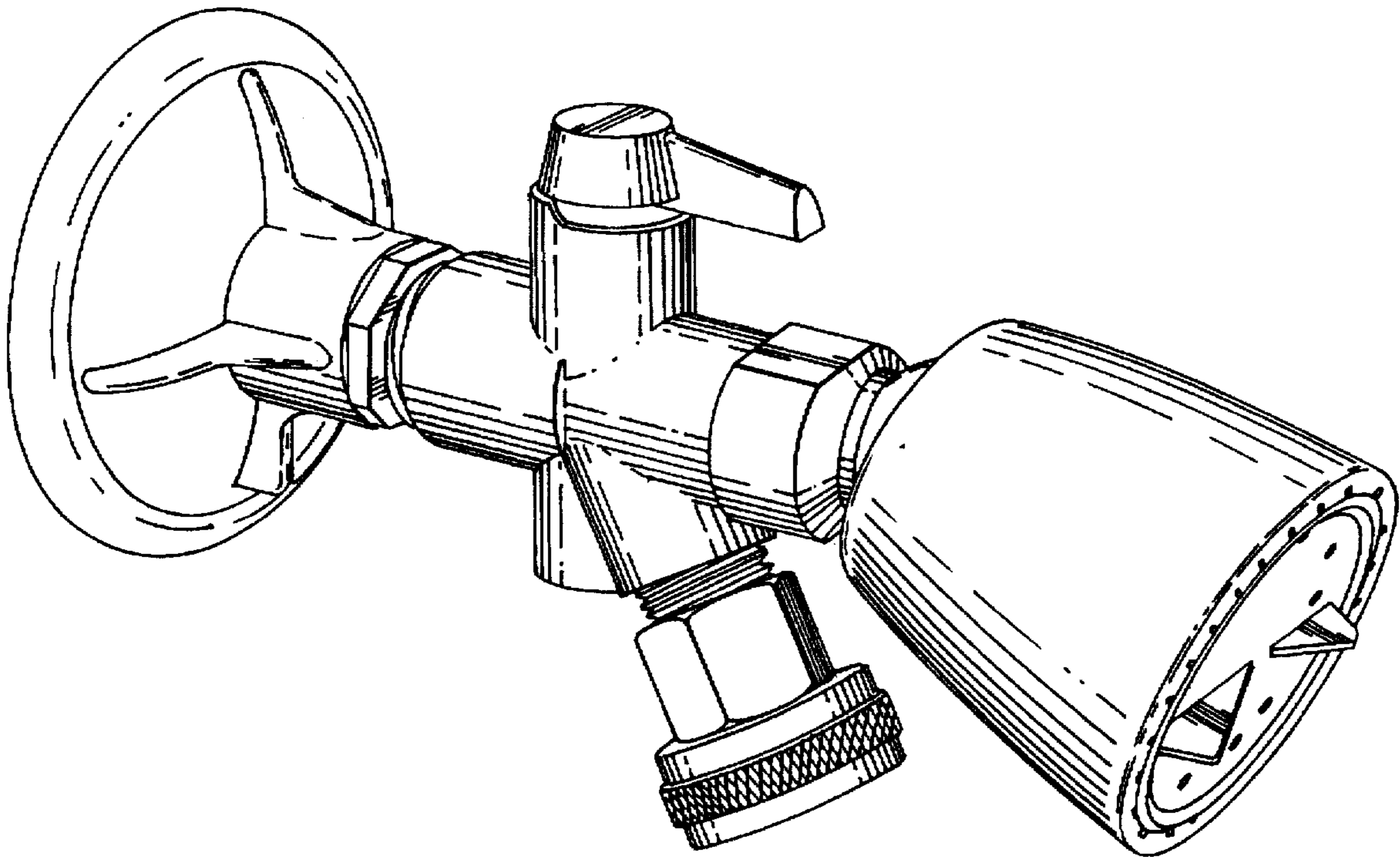
[56] **References Cited**

U.S. PATENT DOCUMENTS

D. 316,136	4/1991	Underwood	D23/228
1,985,502	12/1934	Isenberg	.	
2,073,307	3/1937	Isenberg	.	
2,638,382	5/1953	Evans et al.	.	
2,893,644	7/1959	Holden	.	
4,360,160	11/1982	Jette	D23/230

FIG. 1 is a perspective view of the portable shower head of the present invention;
FIG. 2 is a top view of the design of the design of FIG. 1;
FIG. 3 is a front view of the design of FIG. 1, the rear view being a mirror image;
FIG. 4 is a bottom view of the design of FIG. 1;
FIG. 5 is a left side elevational view of the design of FIG. 1; and,
FIG. 6 is a right side elevational view of the design of FIG. 1.

1 Claim, 2 Drawing Sheets



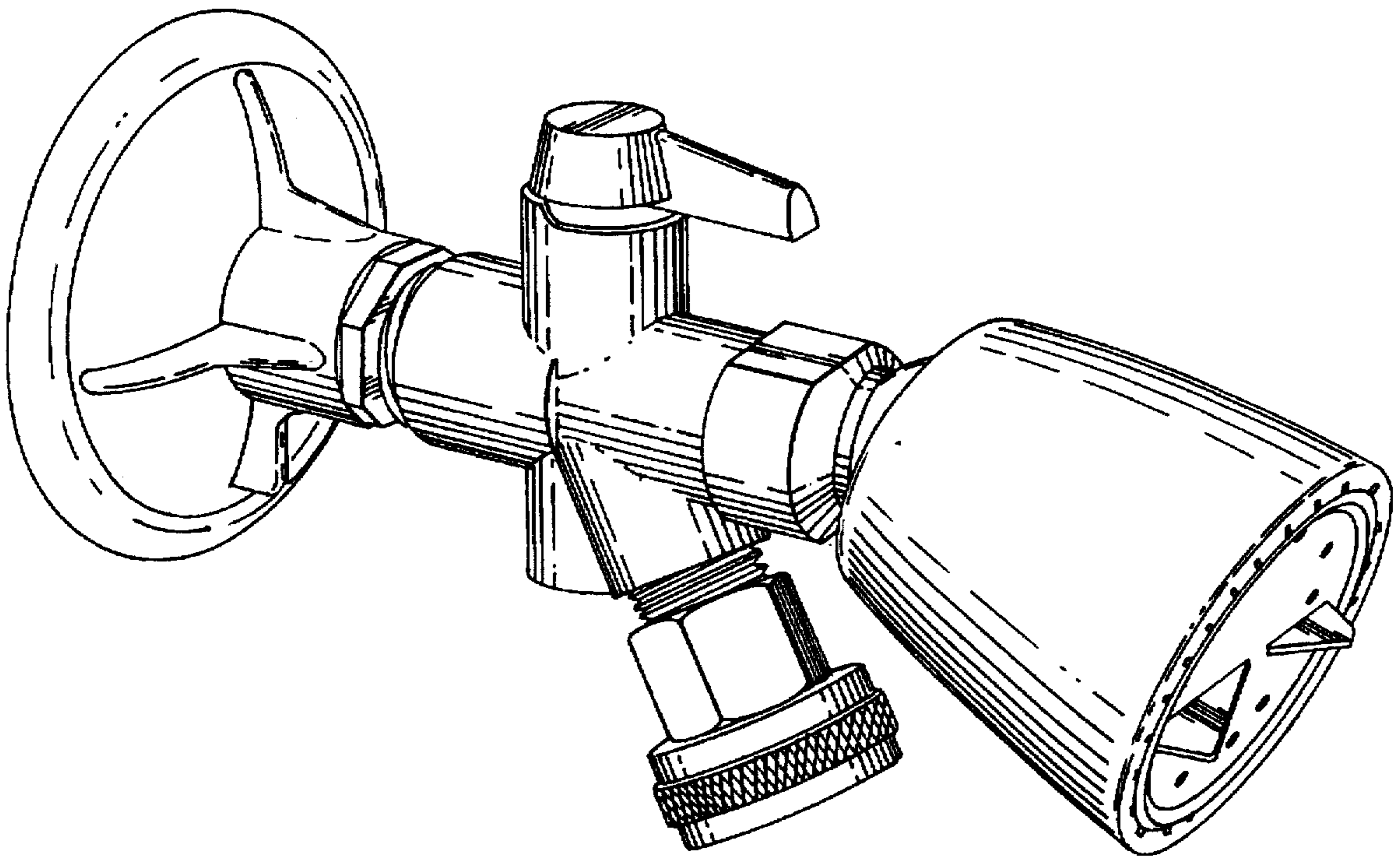


FIG. 1

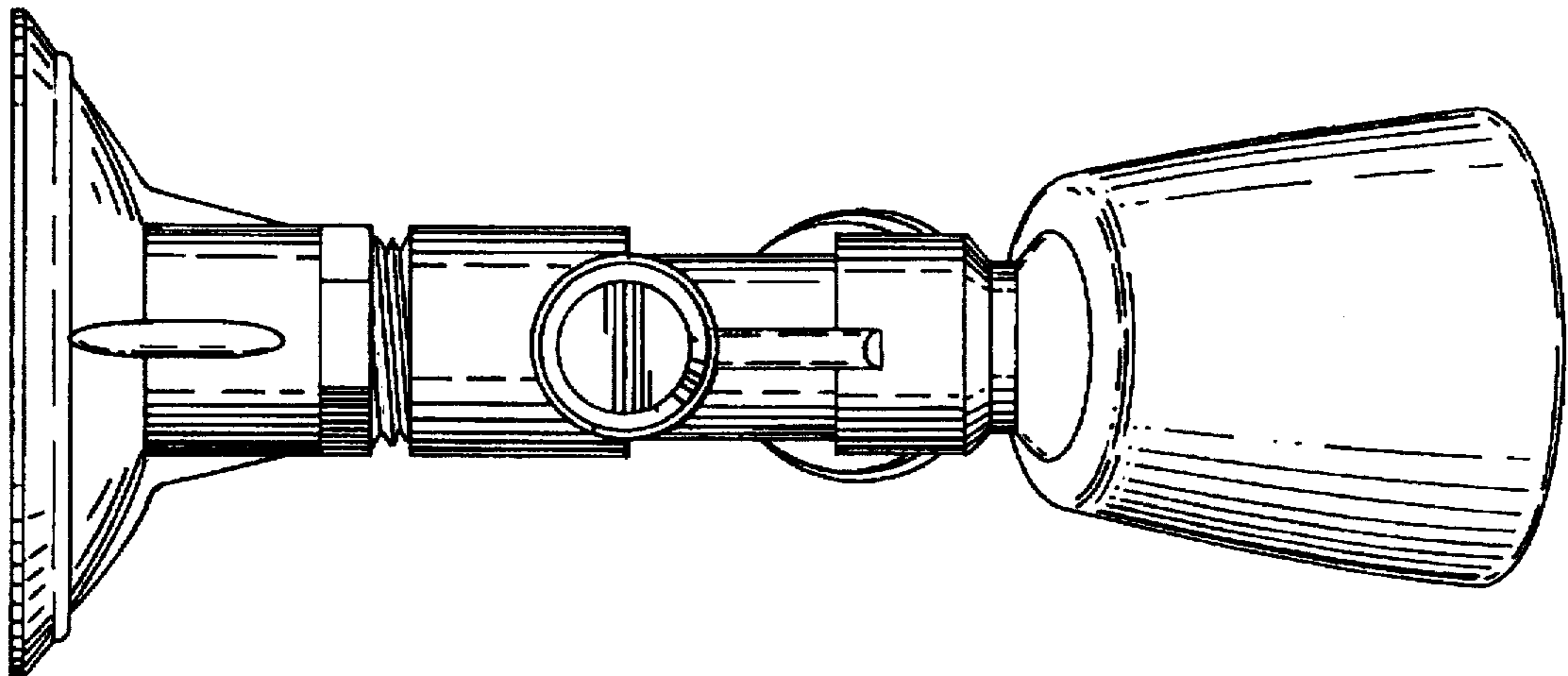


FIG. 2

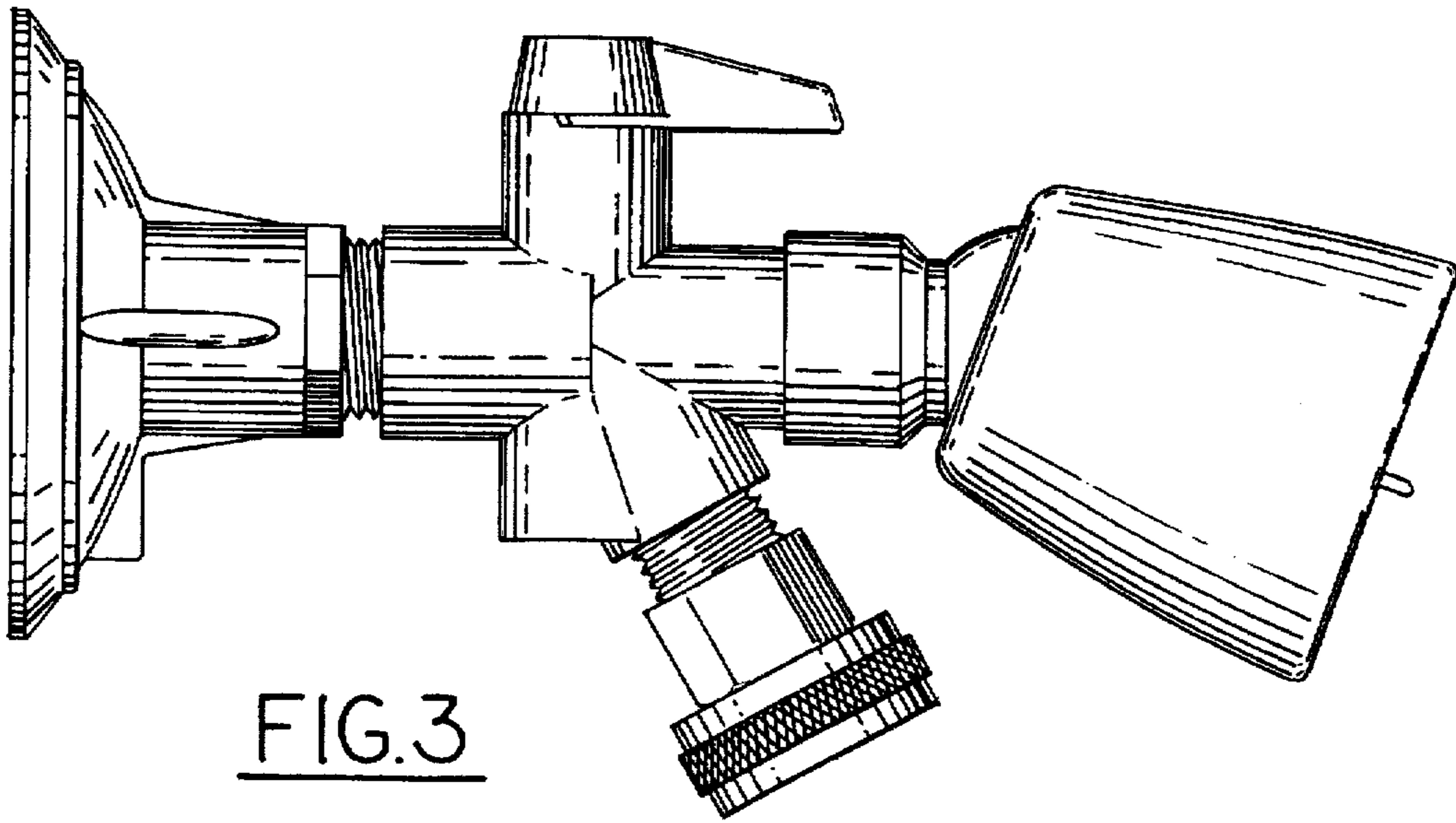


FIG. 3

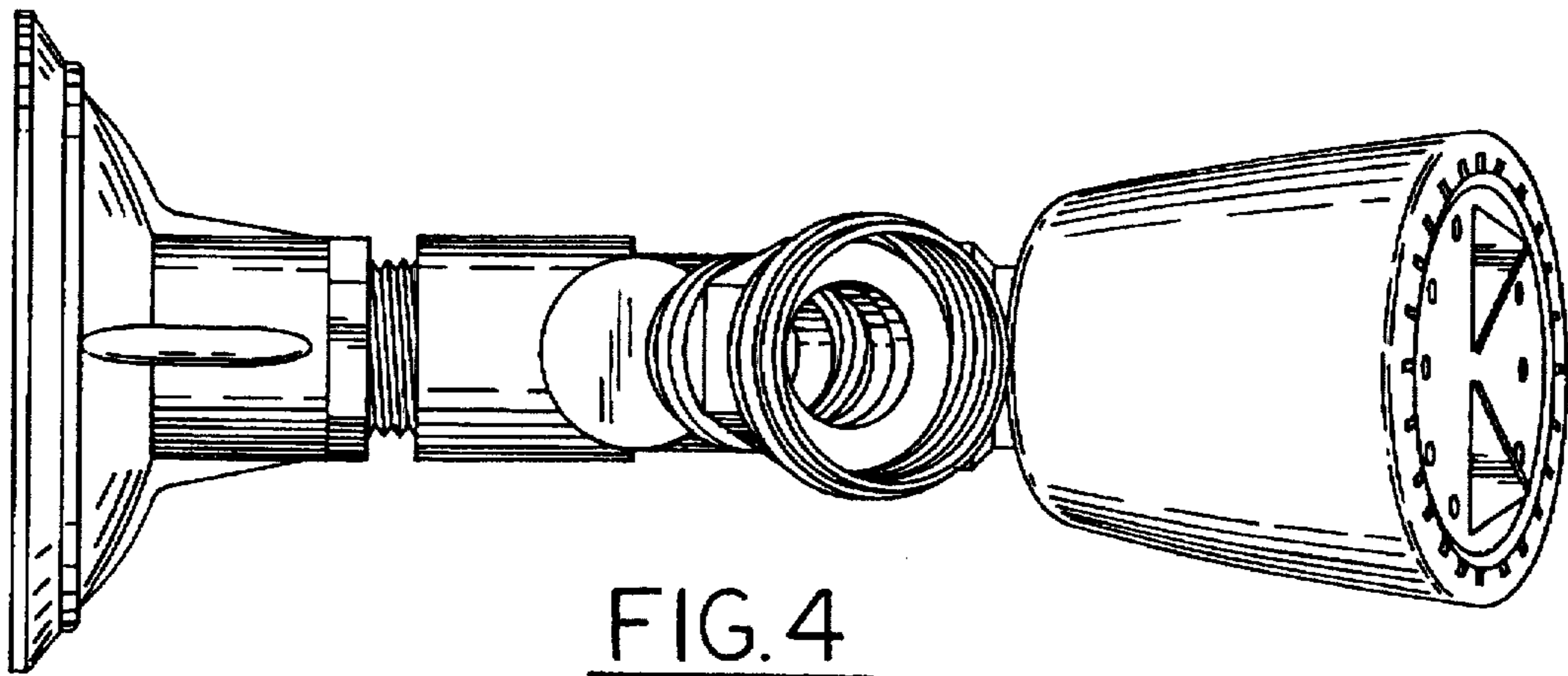


FIG. 4

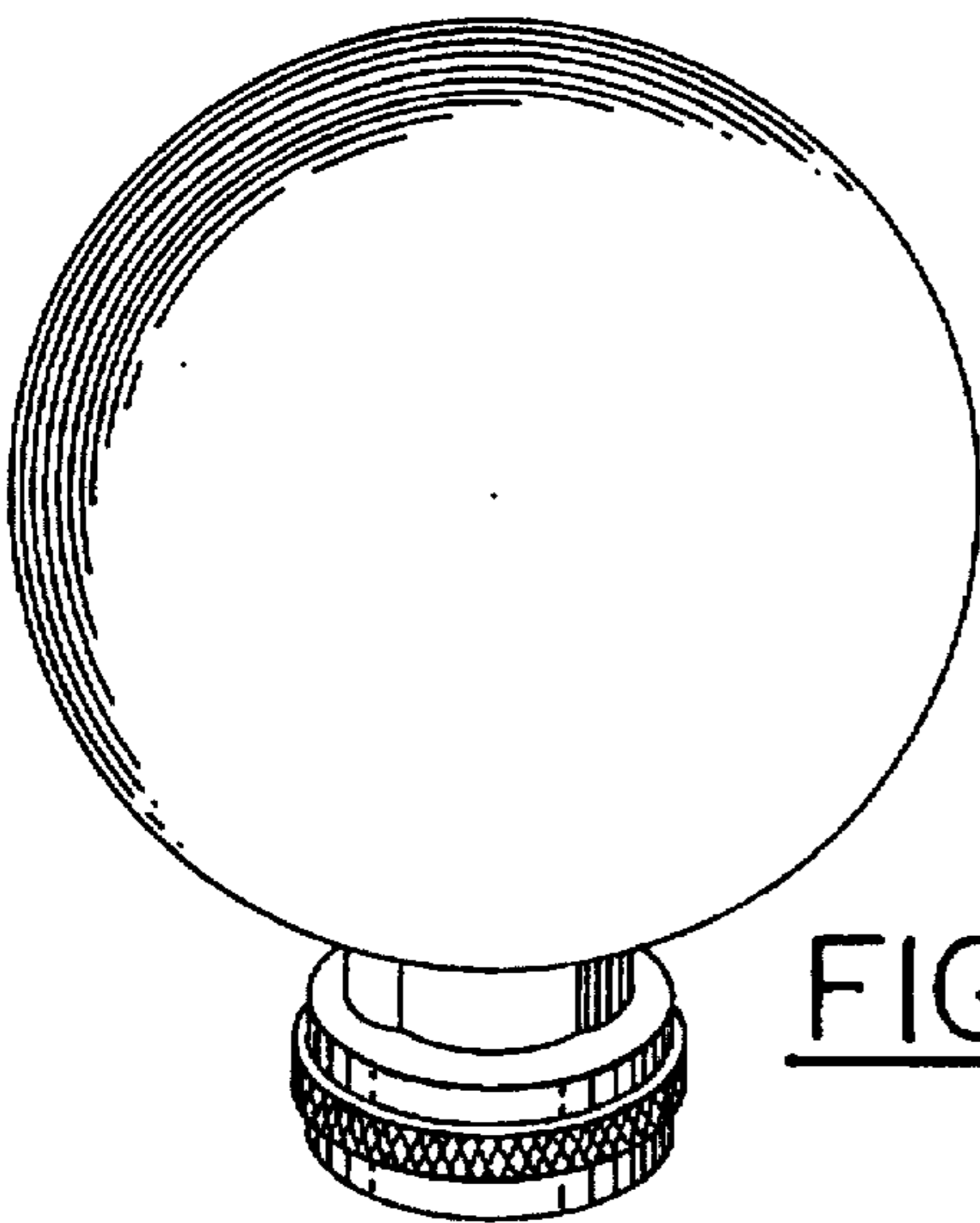


FIG. 5

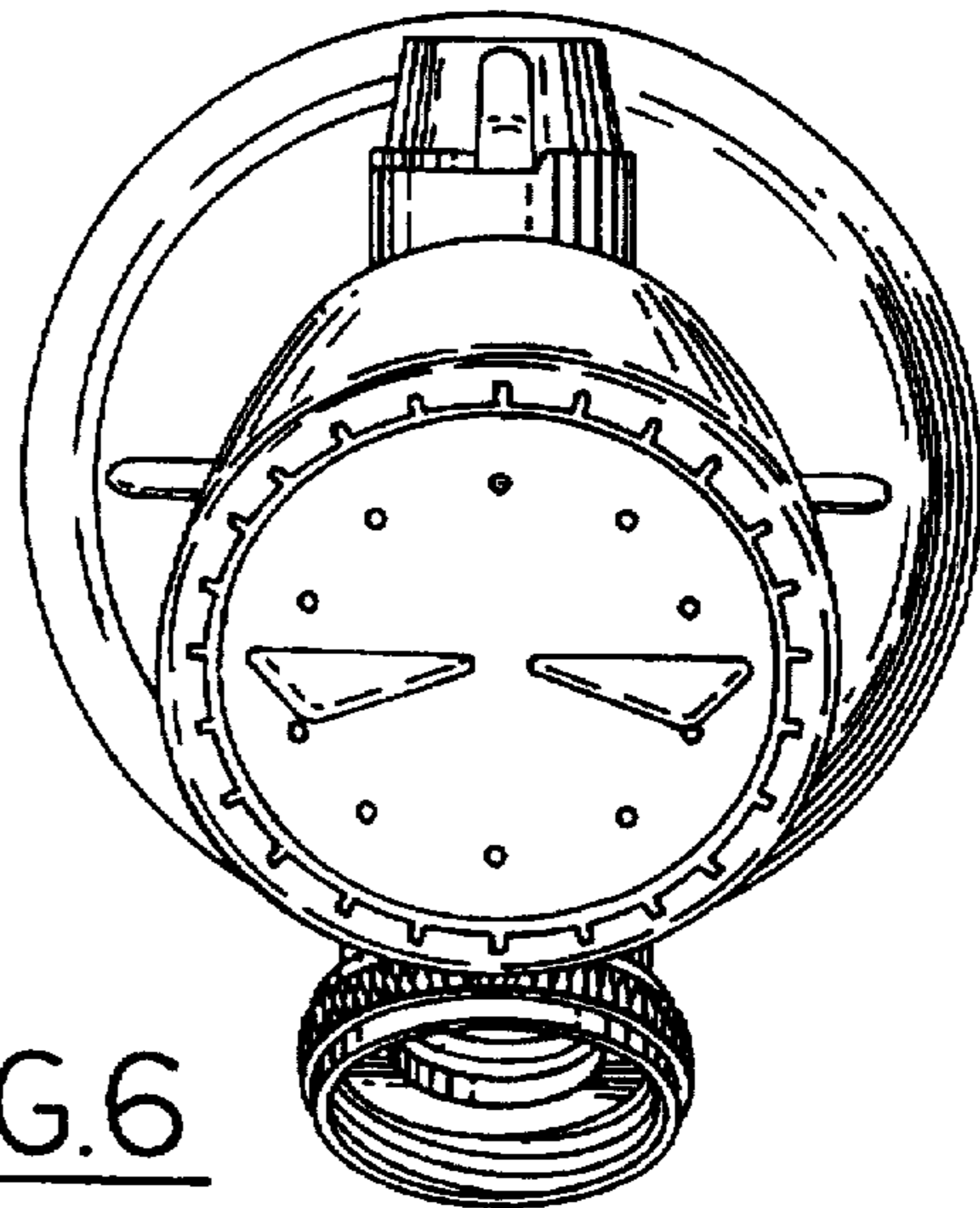


FIG. 6