



US00D385615S

United States Patent [19]
St-Louis

[11] **Patent Number: Des. 385,615**

[45] **Date of Patent: **Oct. 28, 1997**

[54] **PROPANE TANK HOLDER**

[76] **Inventor: M. Bernard St-Louis, 12 Rue
Papineau, Quebec, Canada, G6W 1J8**

[**] **Term: 14 Years**

[21] **Appl. No.: 36,140**

[22] **Filed: May 1, 1995**

[30] **Foreign Application Priority Data**

Feb. 9, 1995 [CA] Canada 1995-0293

[51] **LOC (6) Cl. 23-01**

[52] **U.S. Cl. D23/206**

[58] **Field of Search D23/202-205,
D23/206; 248/146, 346, 346.02, 346.03,
346.11; 211/71; D6/457, 553, 567**

[56] **References Cited**

U.S. PATENT DOCUMENTS

D. 331,792 12/1992 Wilcox D23/206

D. 340,761 10/1993 Long D23/206
4,932,621 6/1990 Kowk 248/146
4,964,518 10/1990 Wilson 211/71
5,172,457 12/1992 Allen et al. 248/146
5,395,086 3/1995 Goldstein 248/346

Primary Examiner—A. Hugo Word
Assistant Examiner—Robin V. Taylor

[57] **CLAIM**

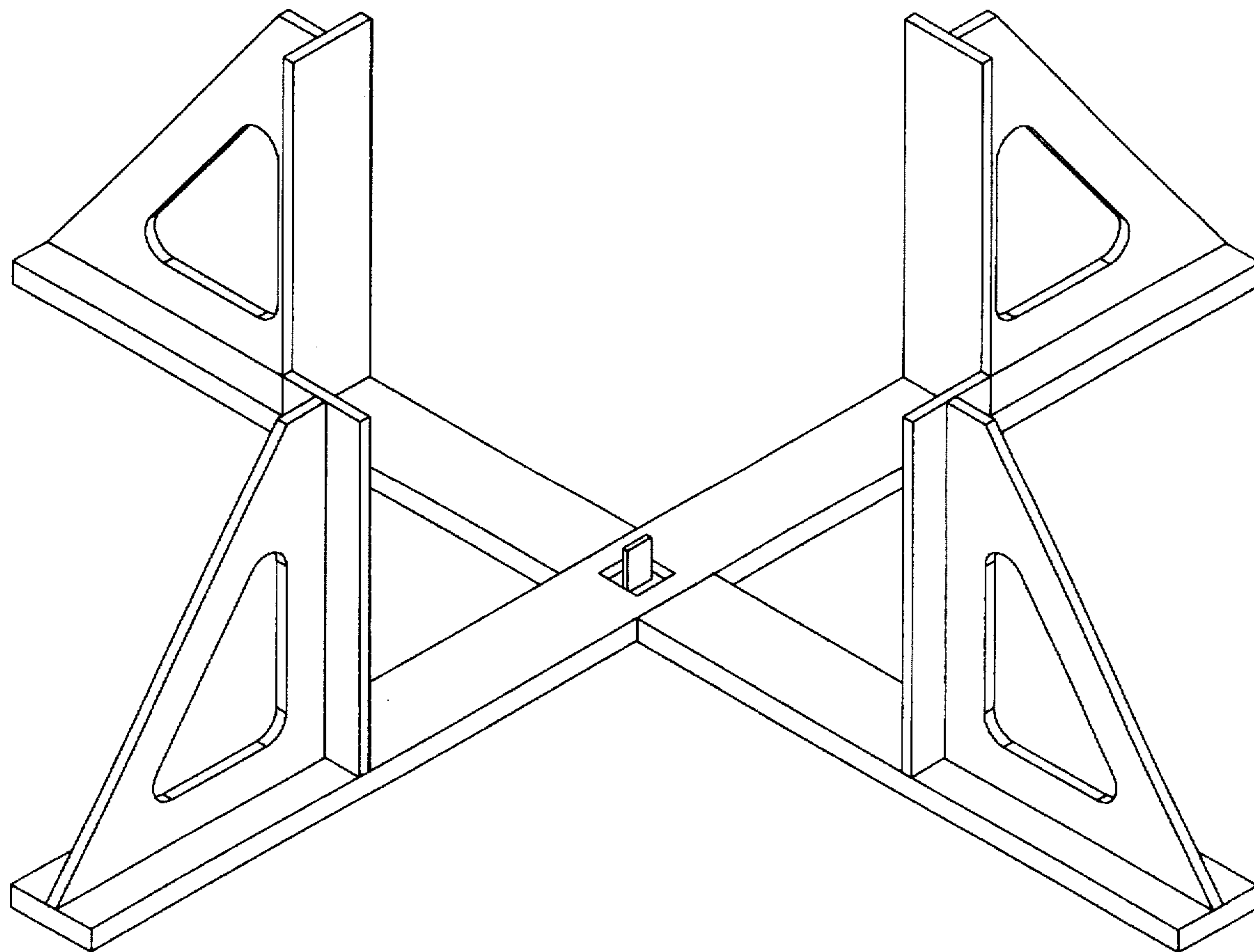
The ornamental design for a propane tank holder, as shown and described.

DESCRIPTION

FIG. 1 is a perspective view of a propane tank holder showing a new design; and,

FIG. 2 is an enlarged fragmented view of the center portion of the propane tank holder with the top cross member removed.

1 Claim, 2 Drawing Sheets



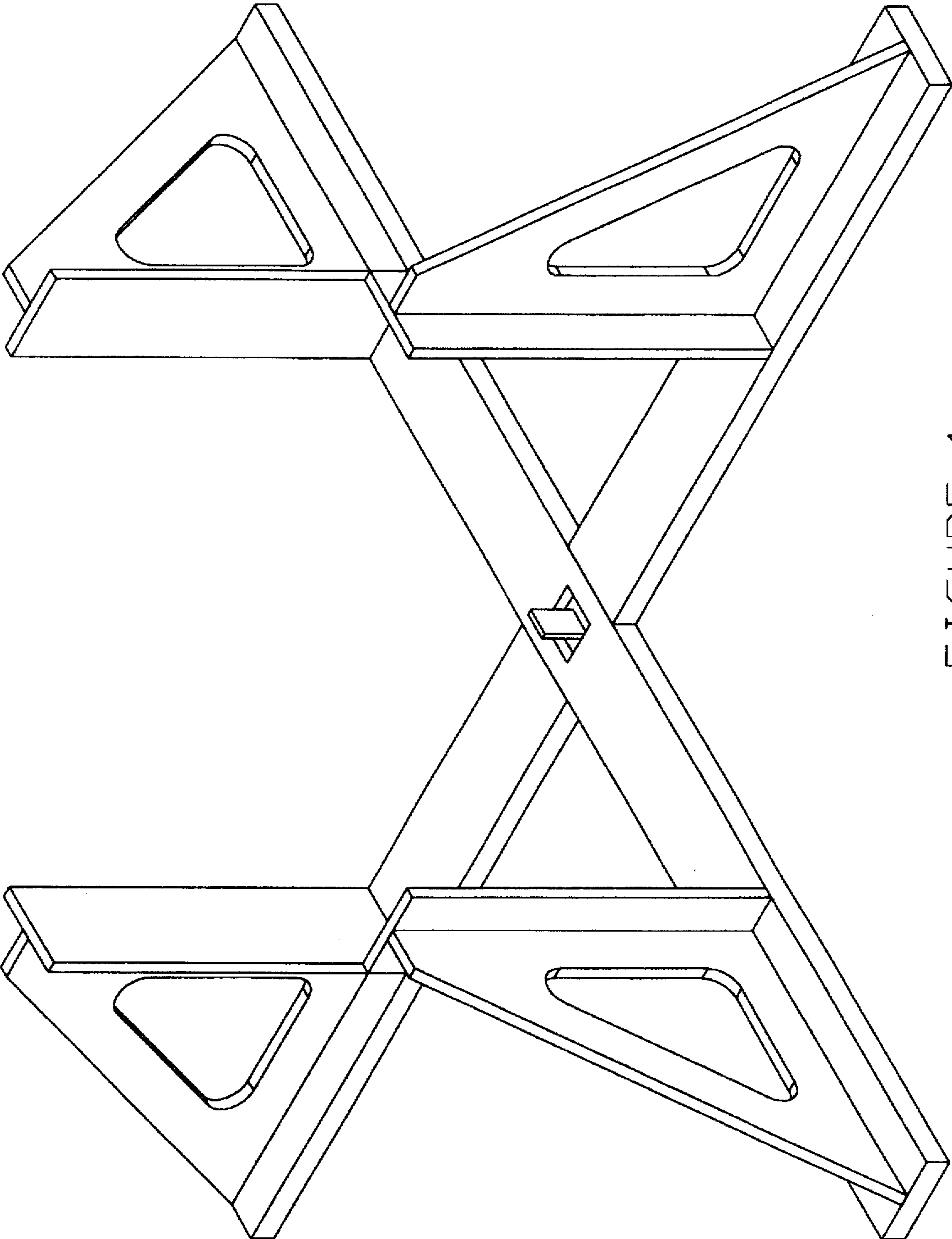


FIGURE 1

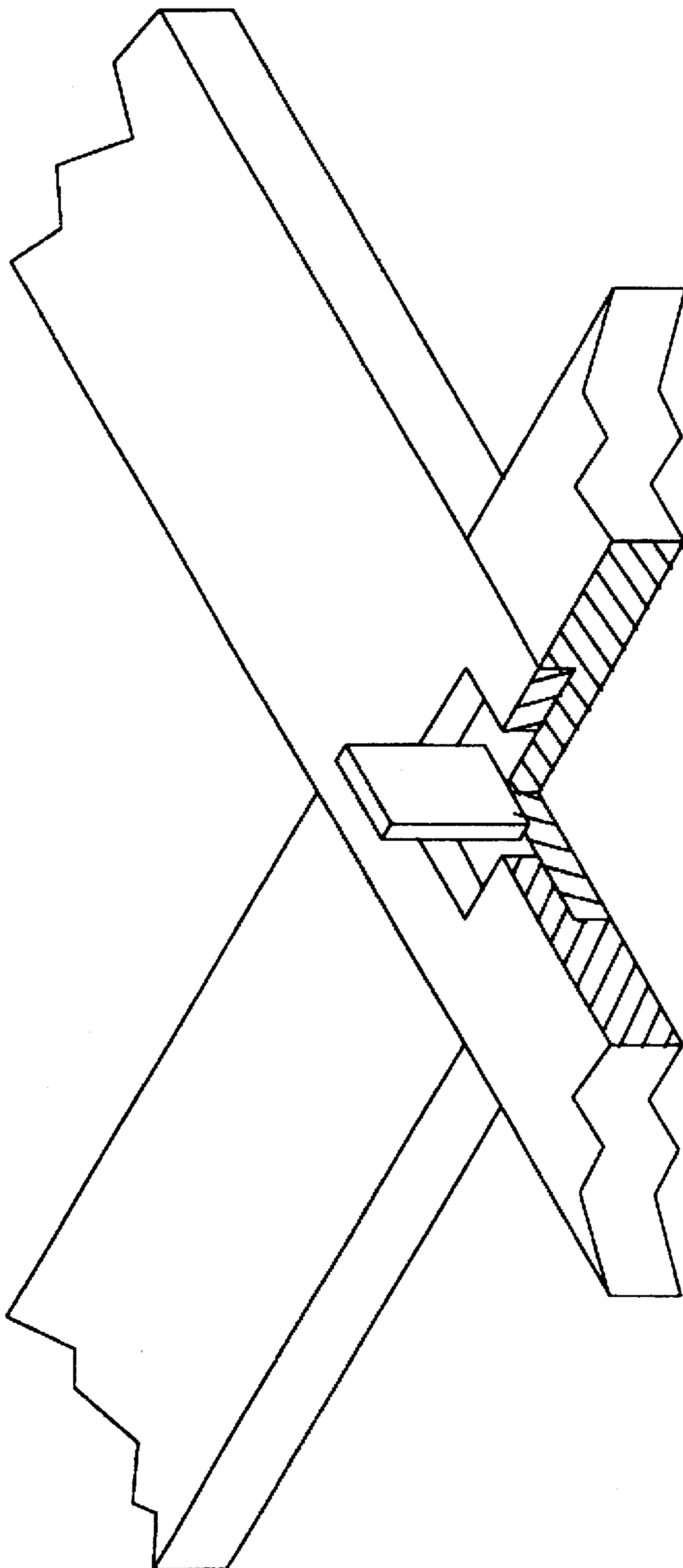


FIGURE 2