



US00D385611S

# United States Patent [19]

[11] Patent Number: **Des. 385,611**

Prince et al.

[45] Date of Patent: **\*\*Oct. 28, 1997**

[54] **RODENT BAIT STATION**

[75] Inventors: **Michael Douglas Prince**, Chicago, Ill.;  
**Stanley Todd Gresens**, Charlestown,  
Mass.

[73] Assignee: **Ecolab Inc.**, St. Paul, Minn.

[\*\*] Term: **14 Years**

[21] Appl. No.: **59,472**

[22] Filed: **Sep. 11, 1996**

[51] LOC (6) Cl. .... **22-06**

[52] U.S. Cl. .... **D22/119**

[58] Field of Search ..... D22/119, 122,  
D22/123; 43/121, 132.1, 131, 81, 83.5,  
83, 65

[56] **References Cited**

**U.S. PATENT DOCUMENTS**

D. 320,833	10/1991	Lumsden	.....	D22/119
D. 355,696	2/1995	Yuen	.....	D22/123
4,026,064	5/1977	Baker	.....	43/131
4,157,628	6/1979	Saslove	.....	43/65
4,550,525	11/1985	Baker et al.	.....	43/131
4,660,320	4/1987	Baker et al.	.....	43/131
4,665,600	5/1987	Vajs et al.	.....	D22/119 X
5,040,327	8/1991	Stack et al.	.....	43/131
5,272,832	12/1993	Marshall et al.	.....	43/131
5,337,512	8/1994	Krensler	.....	43/83 X

**OTHER PUBLICATIONS**

"Eaton's 'Rat Depot'", J.T. Eaton & Co. (no date).  
"Eaton's Tamper-Proof Bait Stations", J.T. Eaton & Co. (no date).

Bait Safe product literature, Lipha Tech (no date).  
Protecta/Bell RTU Bait Station product literature, Bell Laboratories, Inc. (no date).

*Primary Examiner*—Doris V. Coles  
*Attorney, Agent, or Firm*—Merchant, Gould, Smith, Edell, Welter & Schmidt, P.A.

[57] **CLAIM**

The ornamental design for rodent bait station, as shown and described.

**DESCRIPTION**

FIG. 1 is a top, front, right perspective view of a rodent bait station showing our new design, with a lid shown in a closed orientation;

FIG. 2 is a front elevational view thereof;

FIG. 3 is a rear elevational view thereof;

FIG. 4 is a top plan view thereof;

FIG. 5 is a bottom plan view thereof;

FIG. 6 is a right side elevational view thereof, the left side elevational view being a mirror image of the right side elevational view;

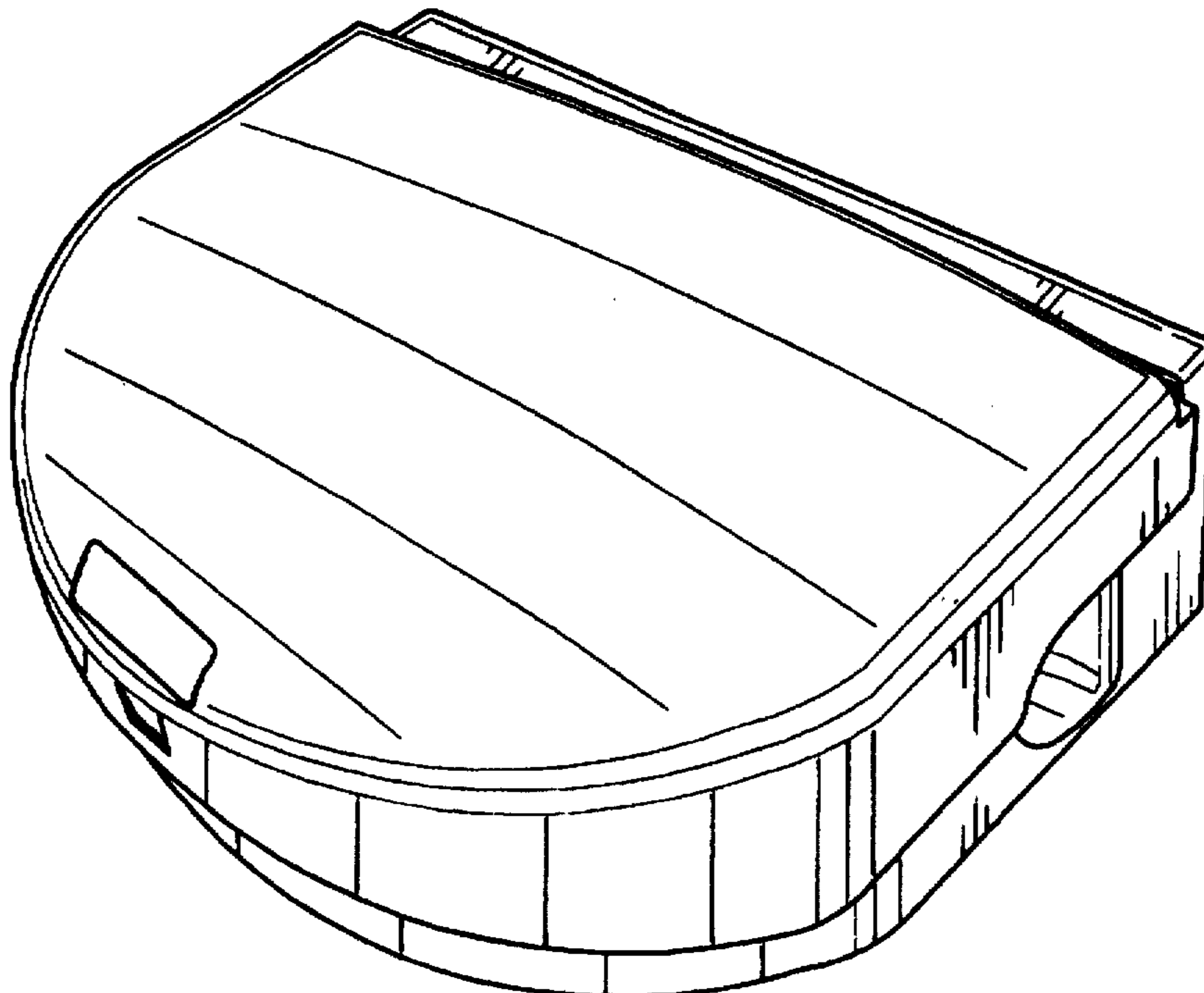
FIG. 7 is a top, front, left perspective view of the rodent bait station of FIG. 1, with the lid shown in an open orientation;

FIG. 8 is a front elevational view thereof;

FIG. 9 is a top plan view thereof; and,

FIG. 10 is a right side elevational view thereof, the left side elevational view being a mirror image of the right side elevational view.

**1 Claim, 9 Drawing Sheets**



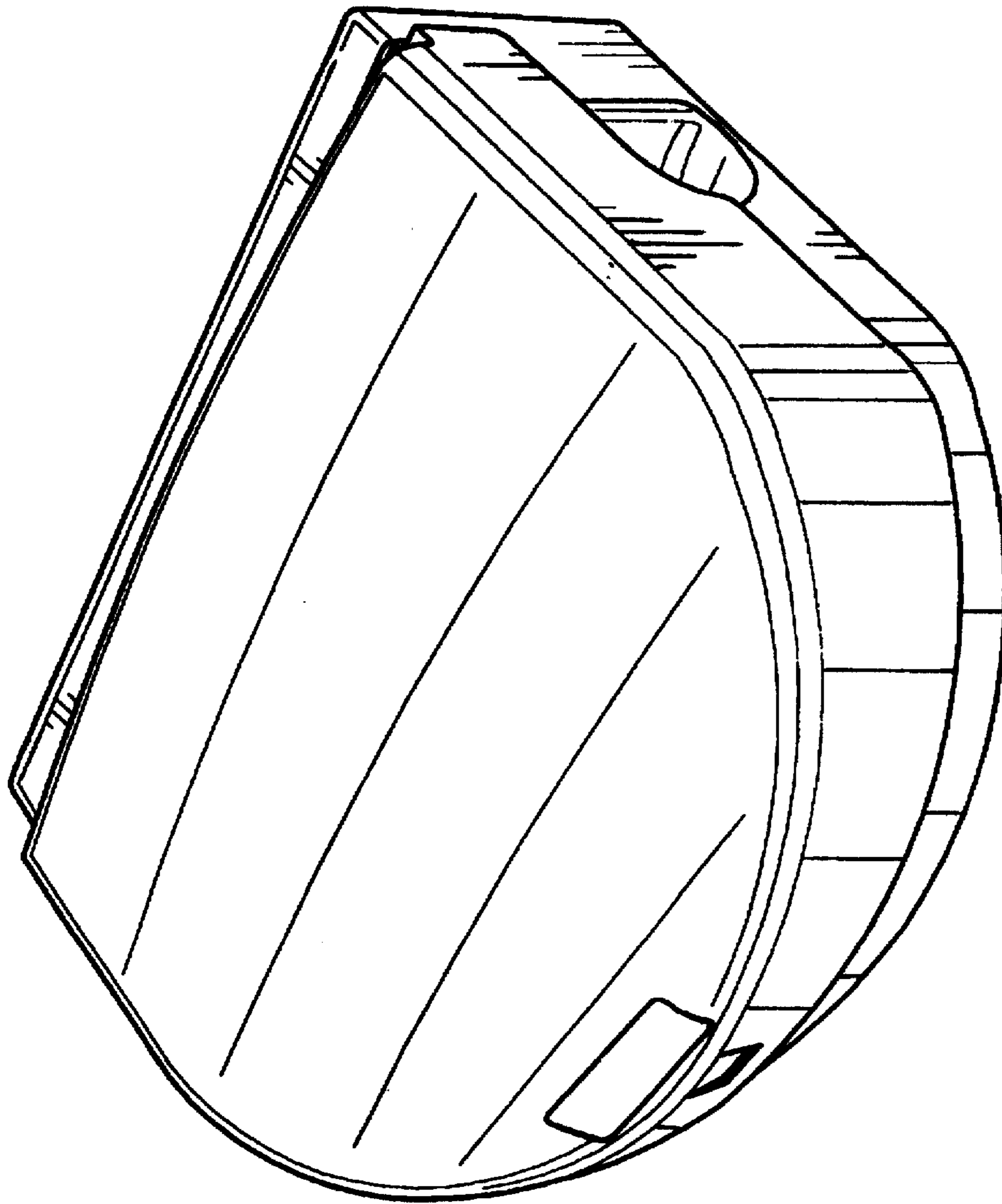


FIG. 1

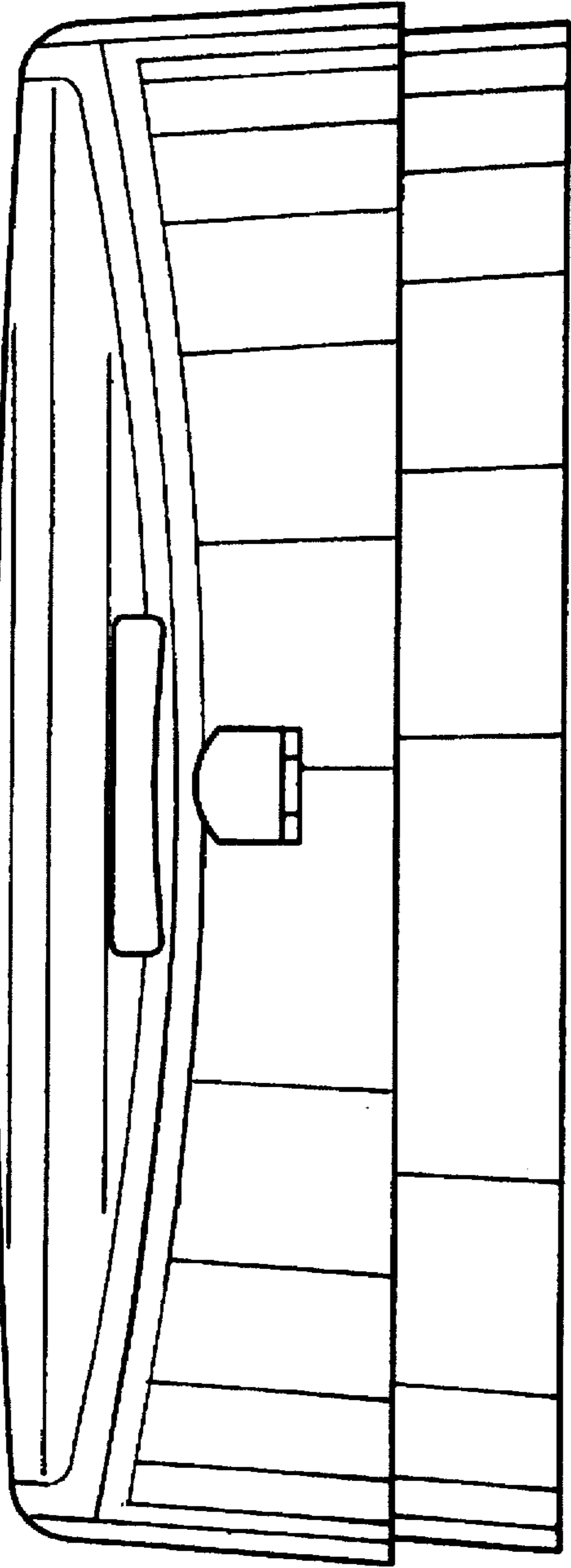


FIG. 2

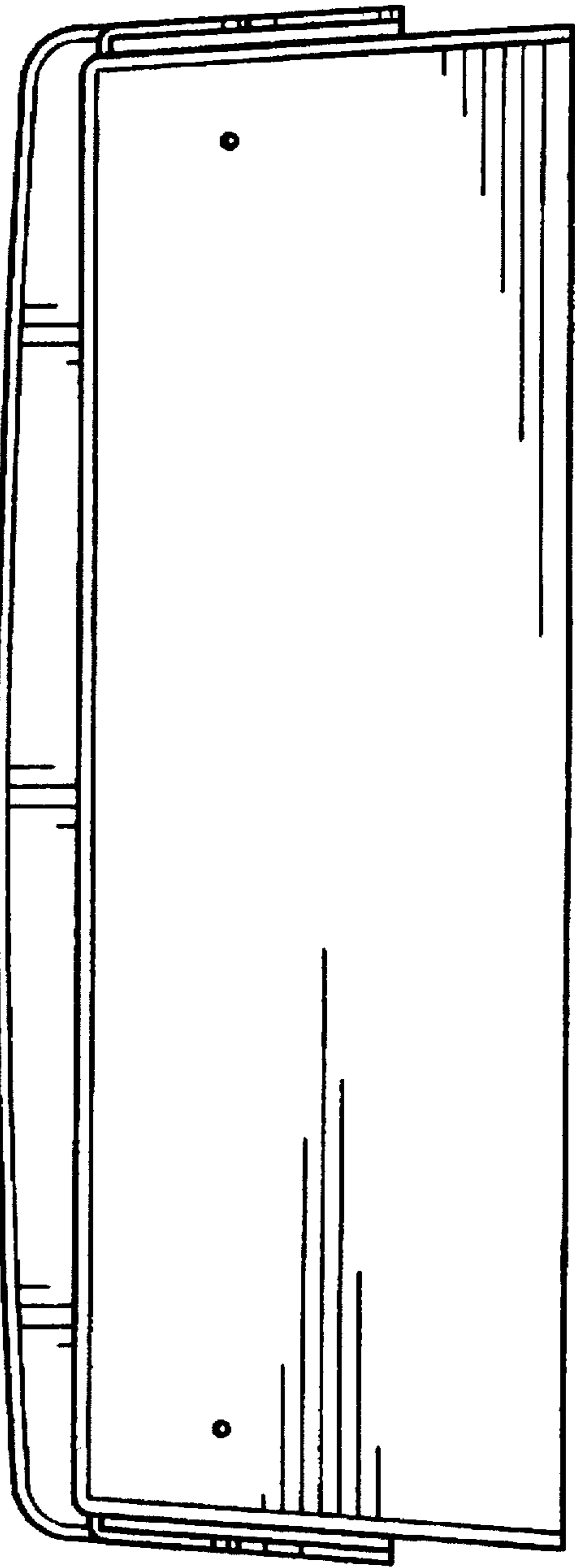


FIG. 3

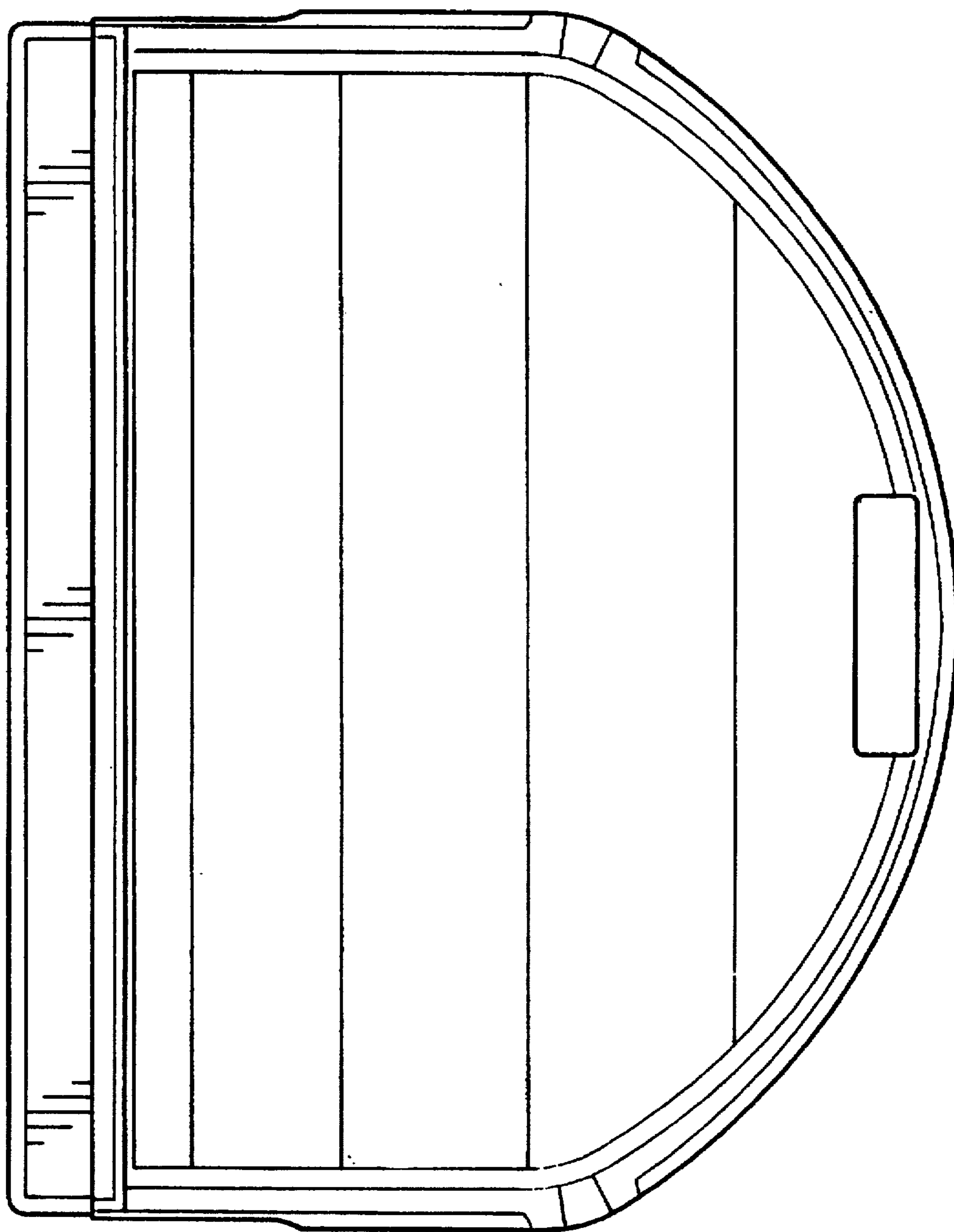


FIG. 4

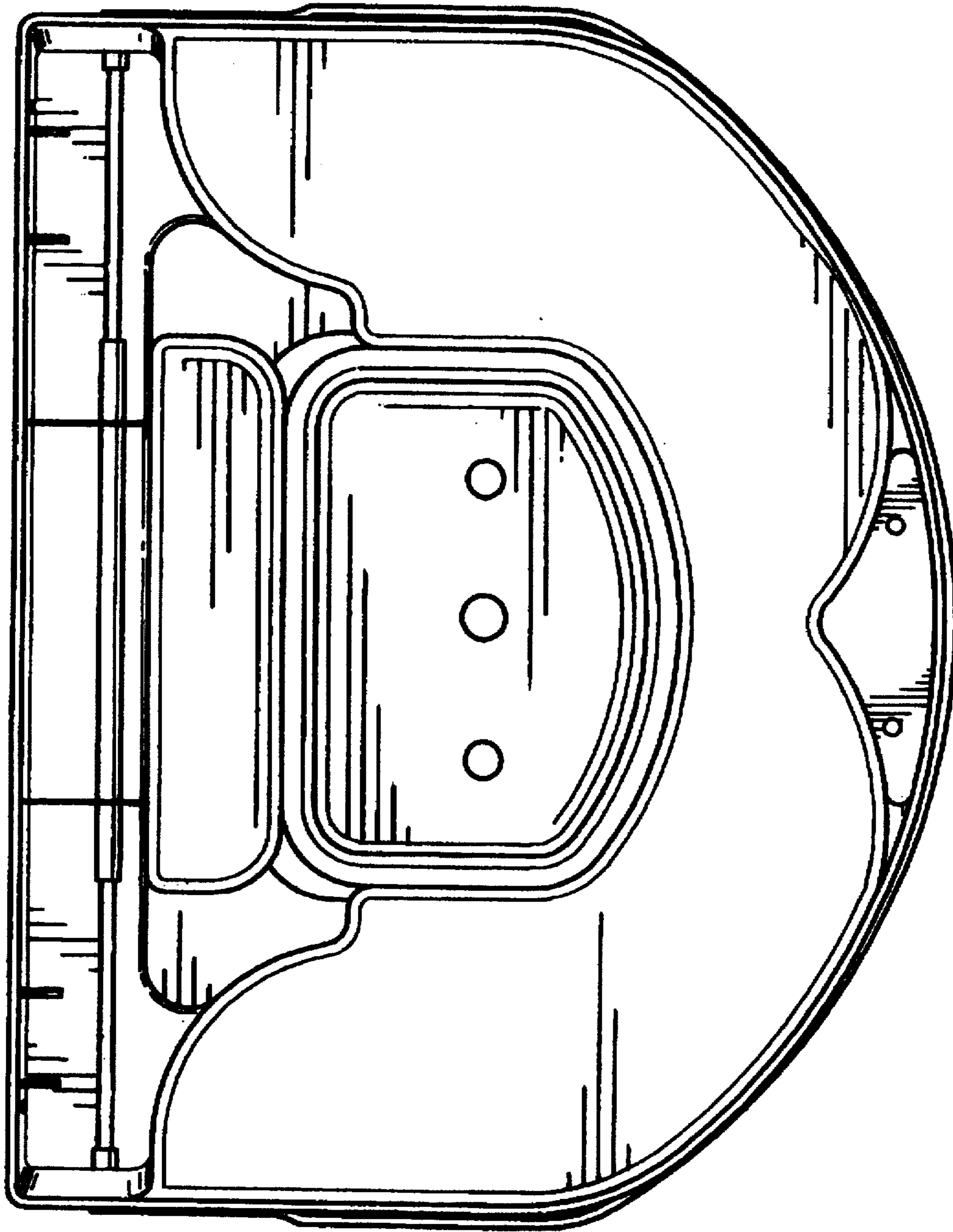


FIG. 5

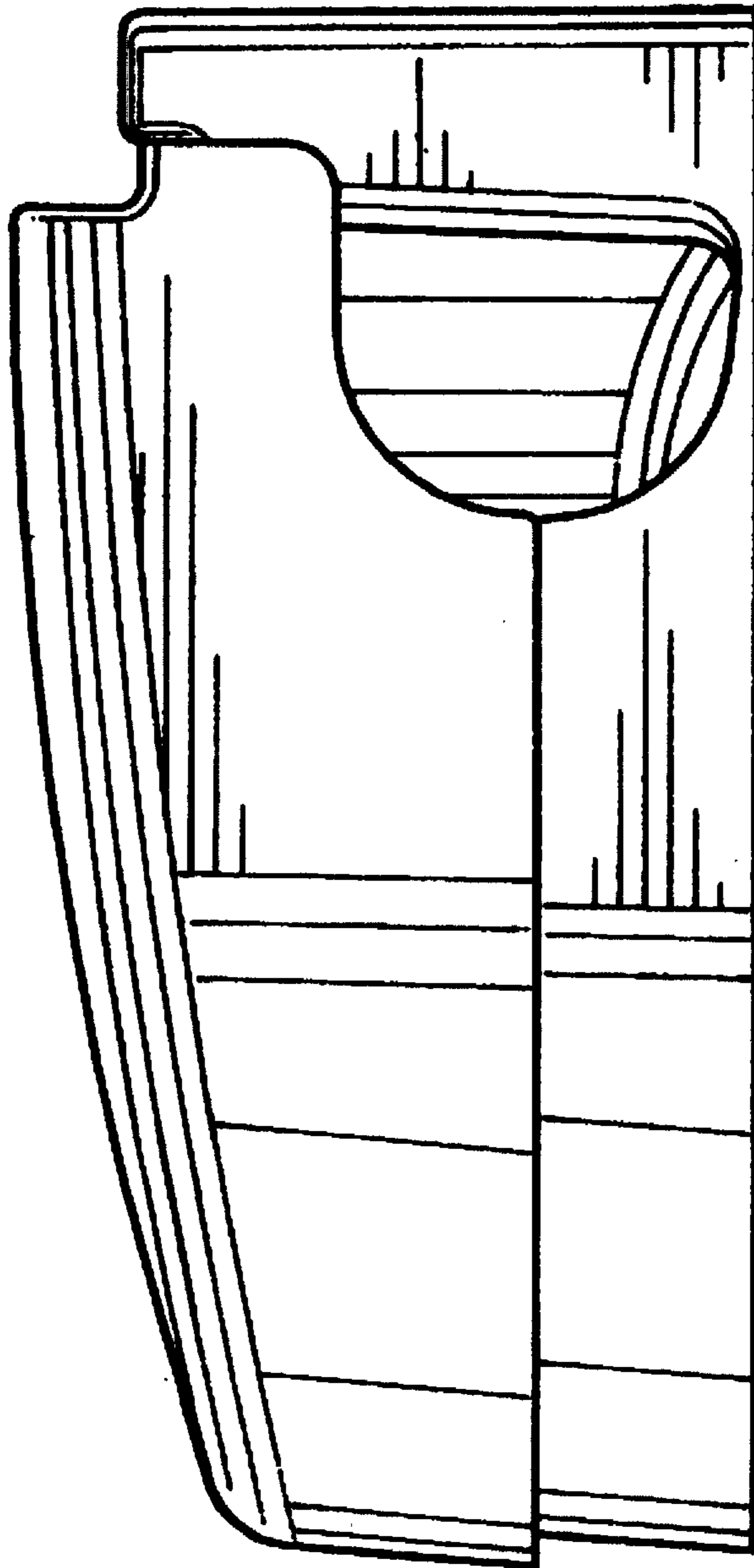


FIG. 6

FIG. 7

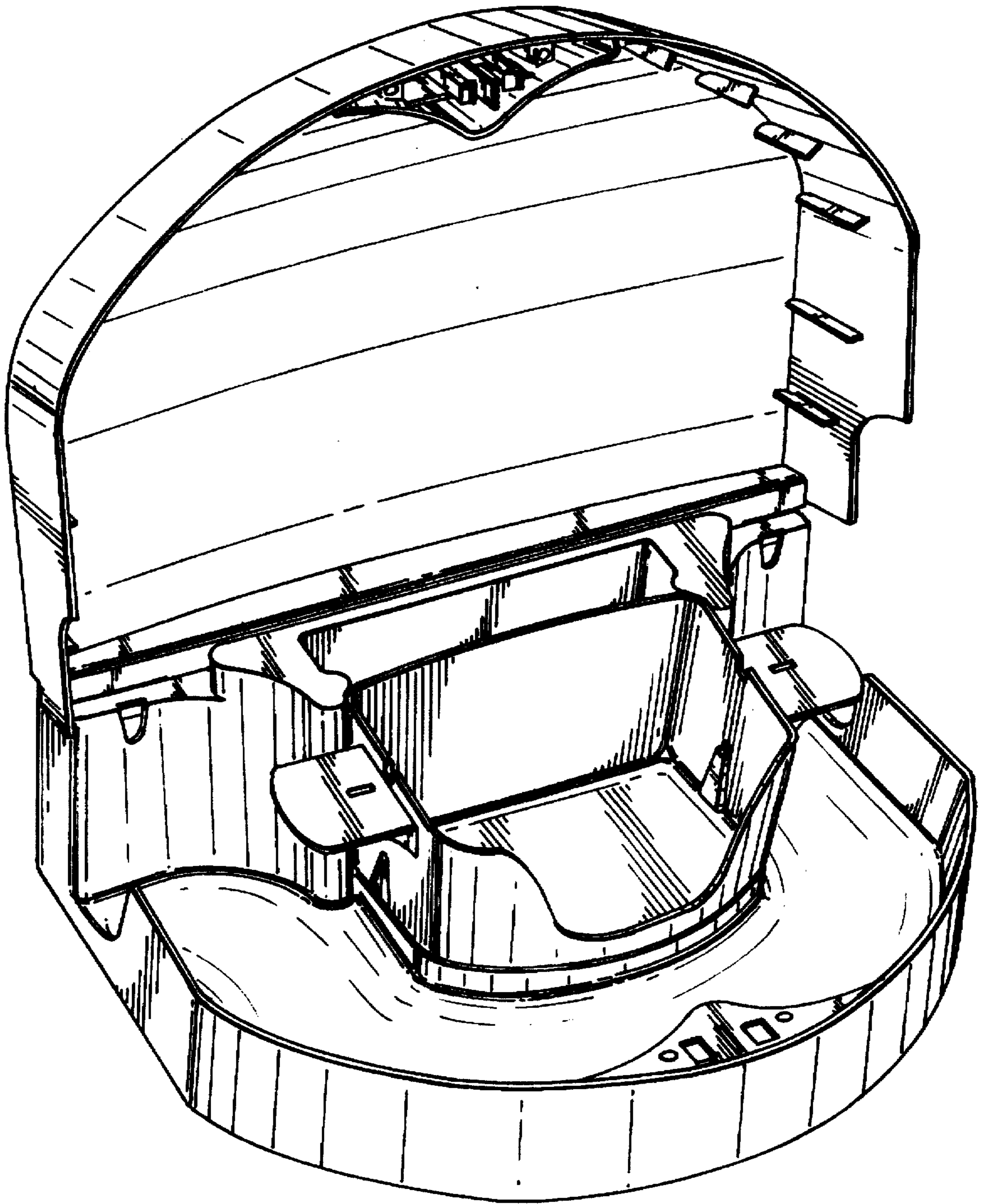


FIG. 8

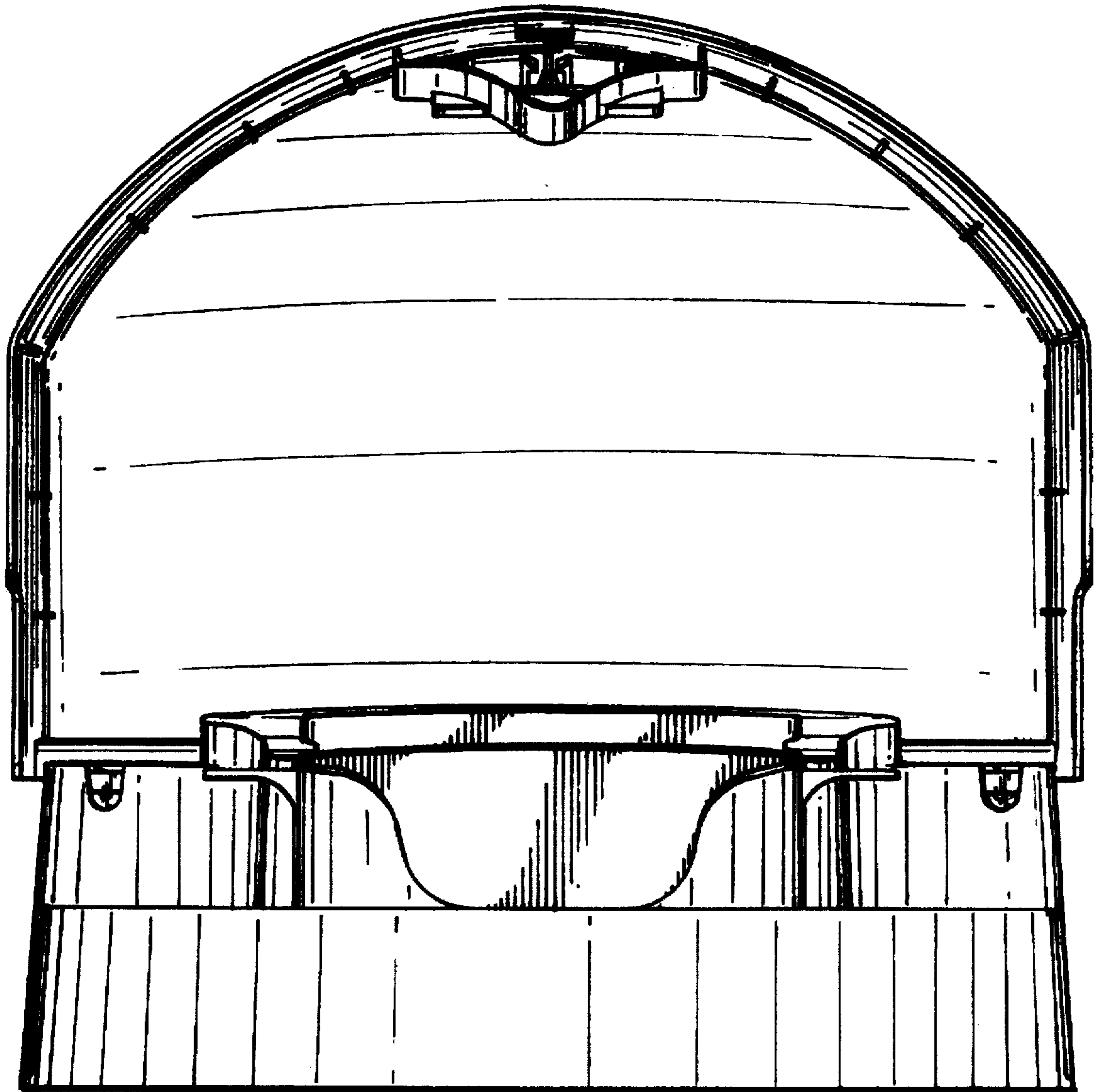
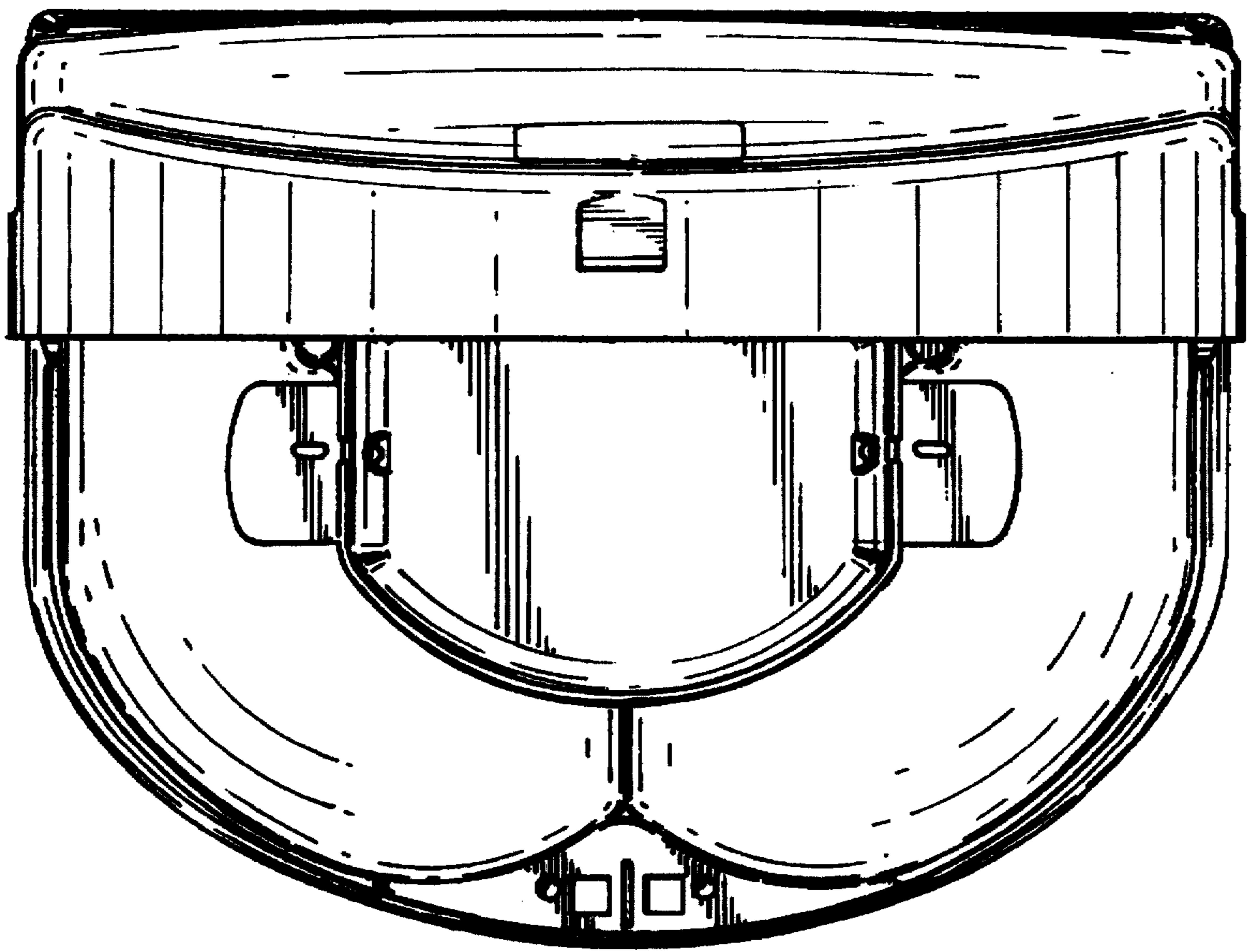




FIG. 9



**FIG. 10**

