

US00D385606S

# United States Patent [19]

[11] Patent Number: **Des. 385,606**

Newton, Jr.

[45] Date of Patent: **\*\*Oct. 28, 1997**

[54] **RUNNER'S STARTING BLOCK ASSEMBLY**

4,089,519	5/1978	Newton, Jr.	.....	482/19
4,561,650	12/1985	Newton, Jr.	.	
4,611,803	9/1986	Newton, Jr.	.	
4,754,965	7/1988	Moye	.	
5,033,738	7/1991	Newton, Jr.	.	

[76] Inventor: **Milton A. Newton, Jr.**, 19600 Prospect St., Desert Hot Springs, Calif. 92241

[\*\*] Term: **14 Years**

*Primary Examiner*—Ted Shooman  
*Assistant Examiner*—Cheri Cohen  
*Attorney, Agent, or Firm*—William P. Green

[21] Appl. No.: **57,599**

[22] Filed: **Jul. 29, 1996**

[57] **CLAIM**

[51] LOC (6) Cl. .... **21-02**

[52] U.S. Cl. .... **D21/199**

[58] Field of Search ..... D21/199, 191;  
482/19, 14

The ornamental design for a runner's starting block assembly, as shown.

**DESCRIPTION**

[56] **References Cited**

FIG. 1 is a rear perspective view of a runner's starting block assembly showing my design;  
FIG. 2 is a front perspective view;  
FIG. 3 is a top plan view;  
FIG. 4 is a left side elevational view;  
FIG. 5 is a right side elevational view;  
FIG. 6 is a front elevational view;  
FIG. 7 is a rear elevational view; and,  
FIG. 8 is a bottom plan view.

**U.S. PATENT DOCUMENTS**

D. 279,998	8/1985	Newton, Jr.	.....	D21/199
D. 293,009	12/1987	Pieniniemi	.....	D21/199
D. 315,004	2/1991	Newton, Jr.	.....	D21/199
1,701,026	2/1929	Bresnahan	.	
1,793,898	2/1931	Barron	.	
2,900,187	8/1959	Hondorp	.....	482/19
3,010,321	11/1961	Morrow	.	
3,724,843	4/1973	Fichter et al.	.....	482/19 X

**1 Claim, 5 Drawing Sheets**

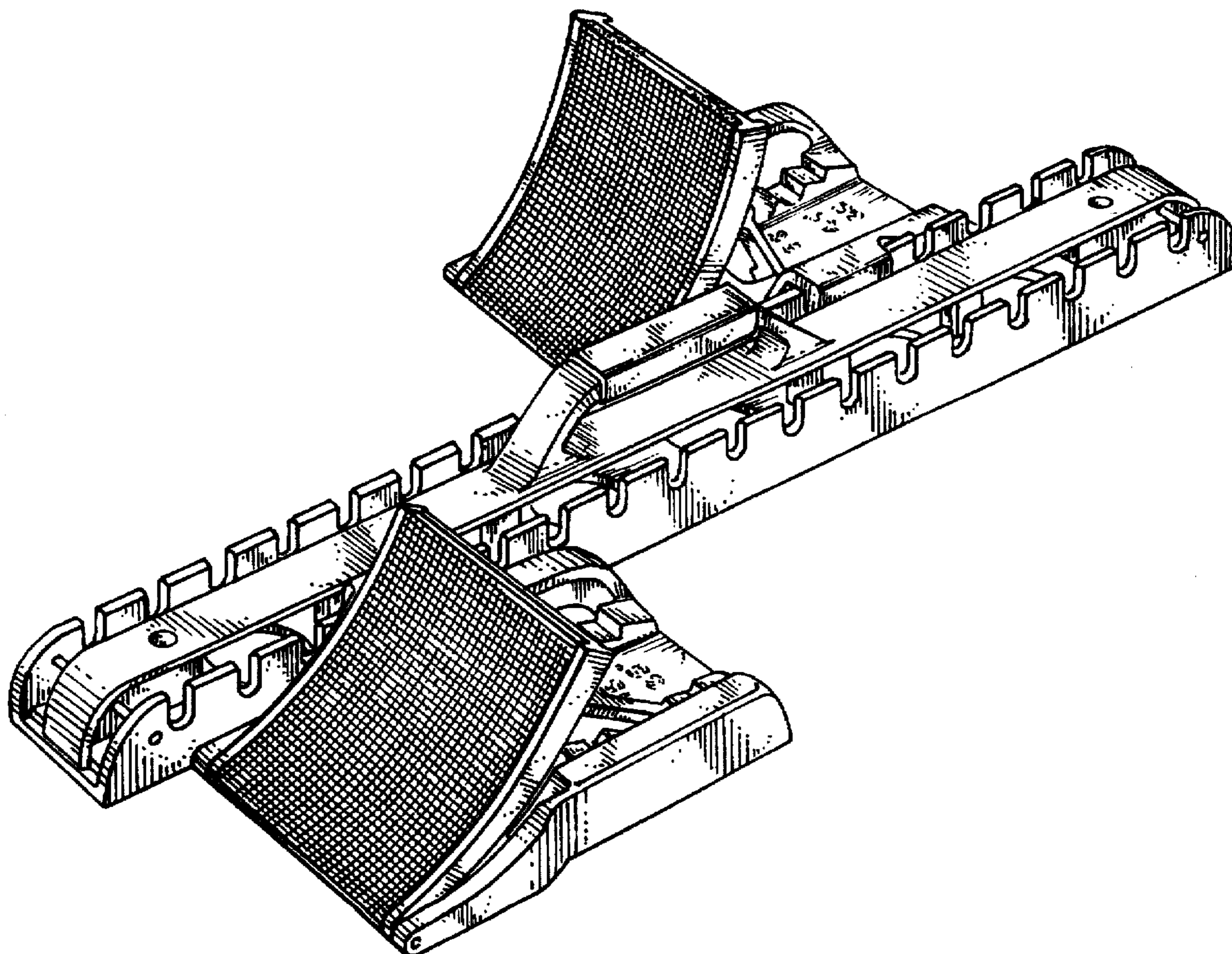




FIG. 1

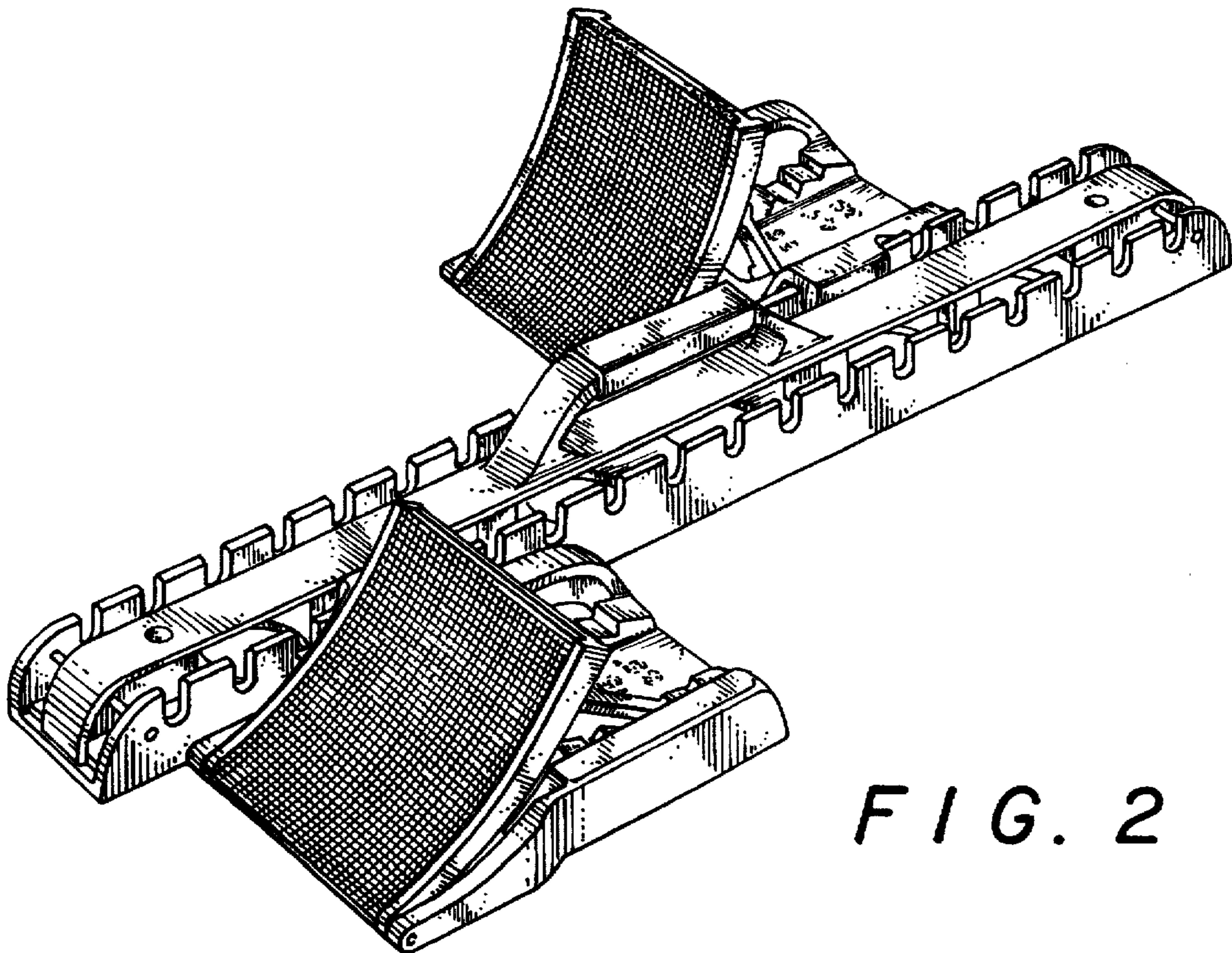
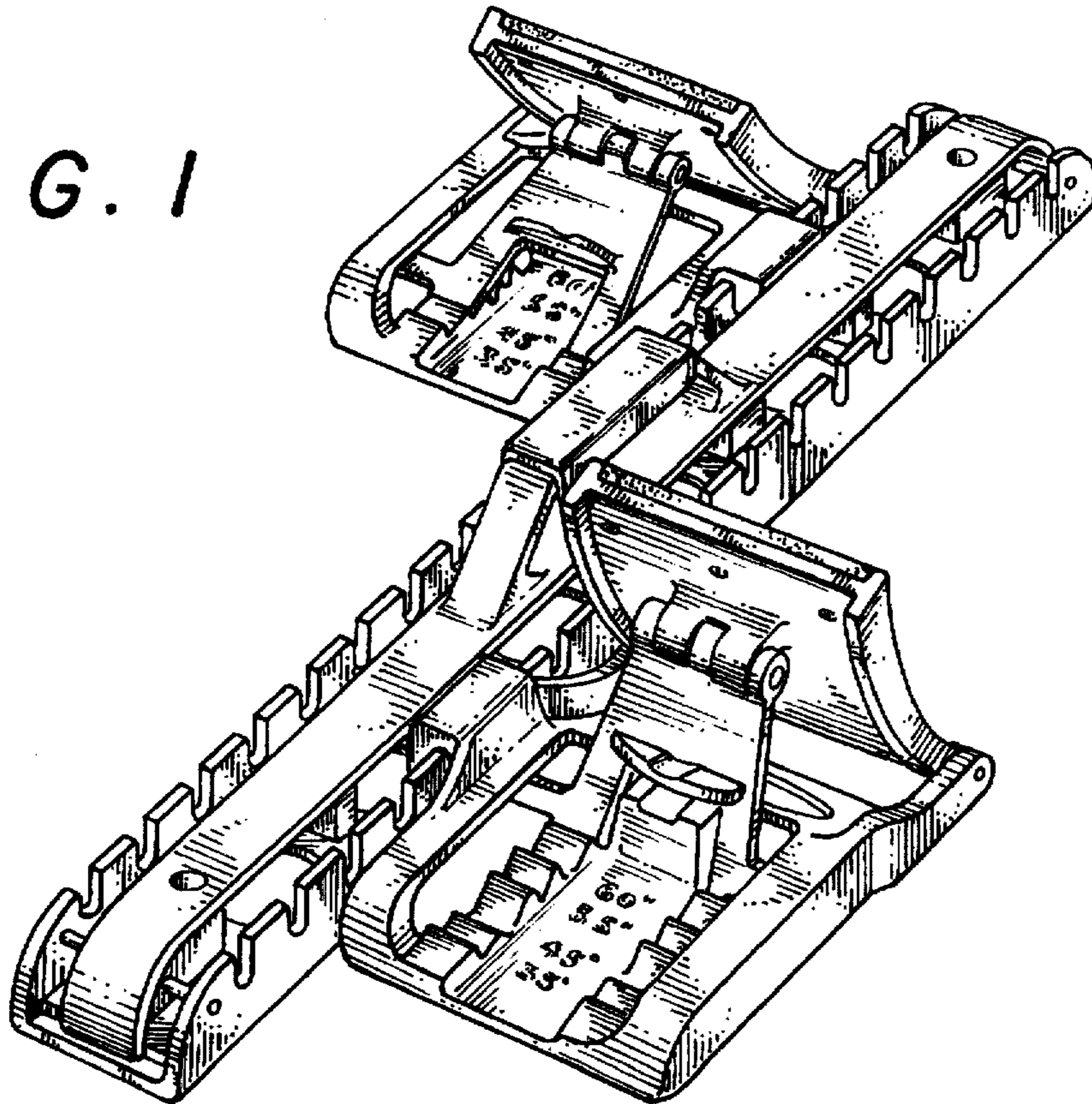


FIG. 2

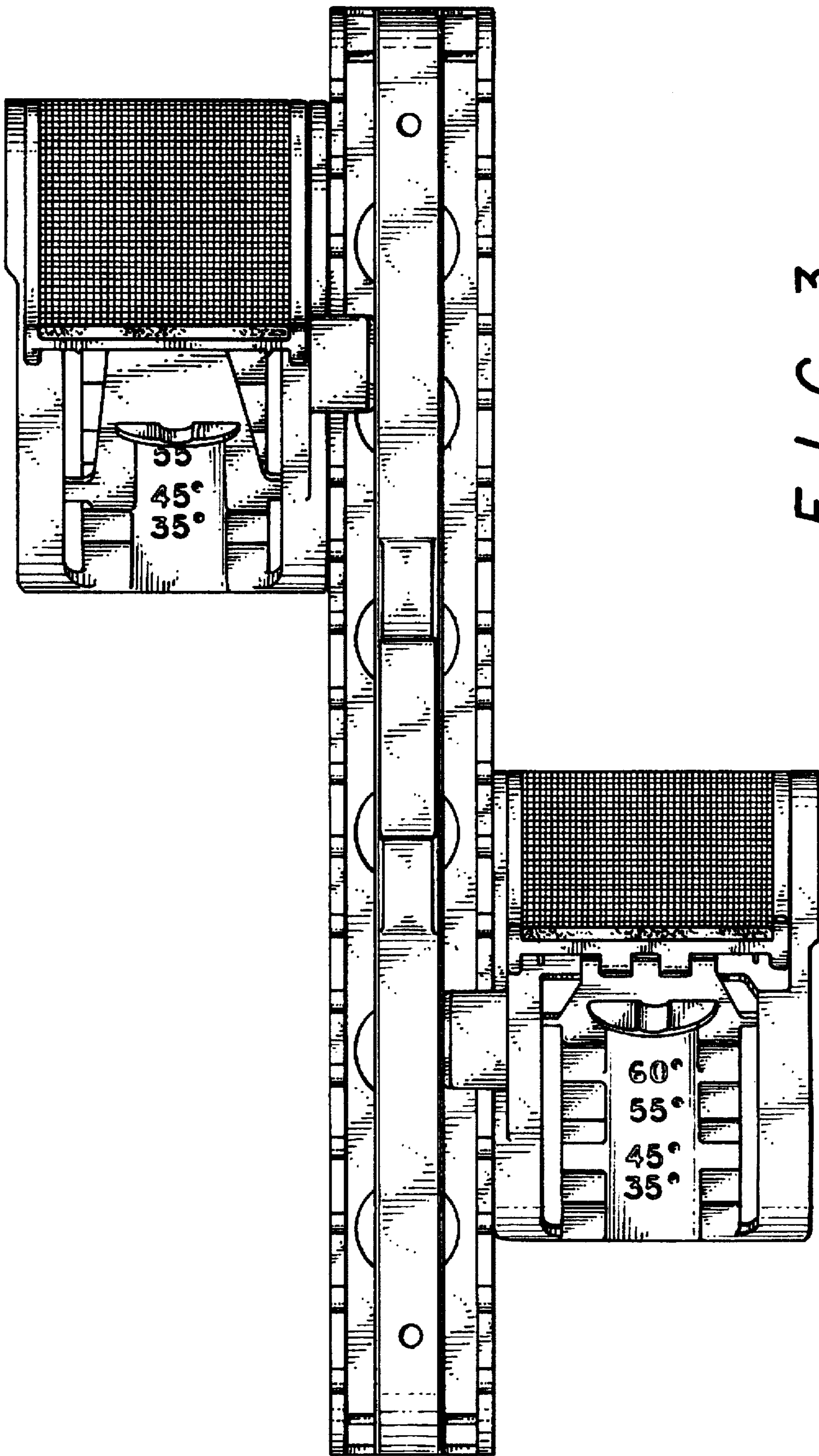


FIG. 3



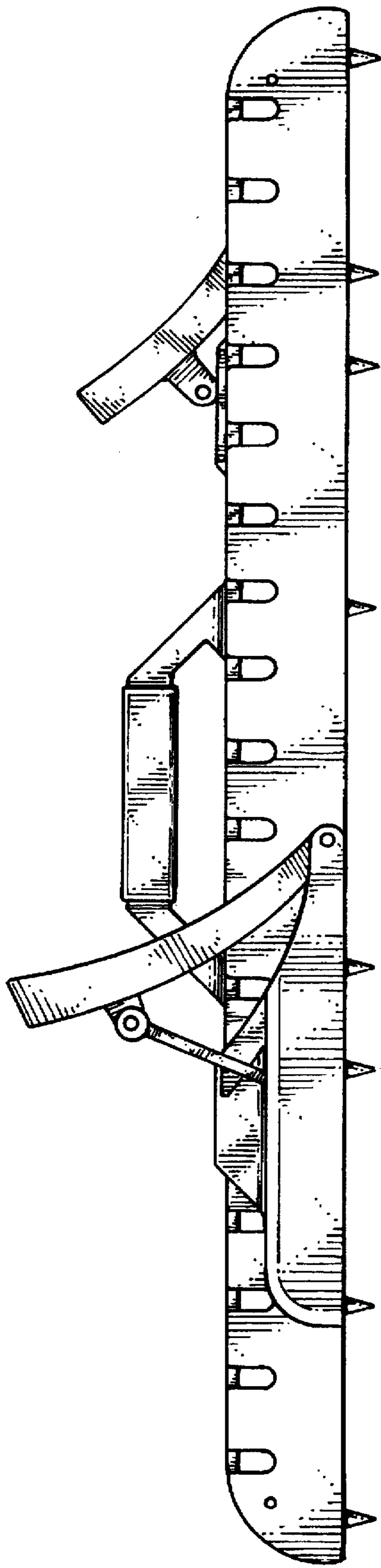
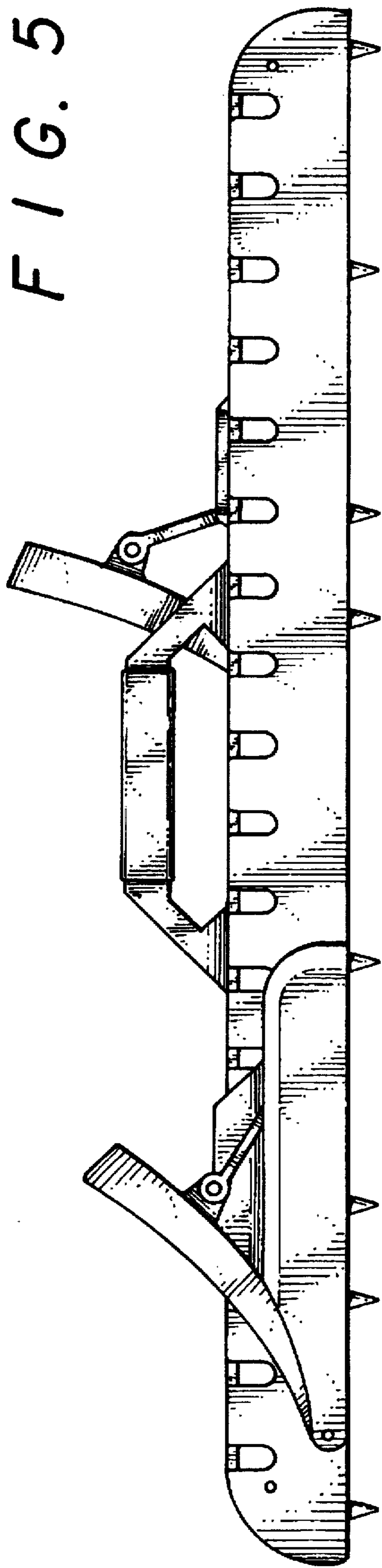


FIG. 4

FIG. 5



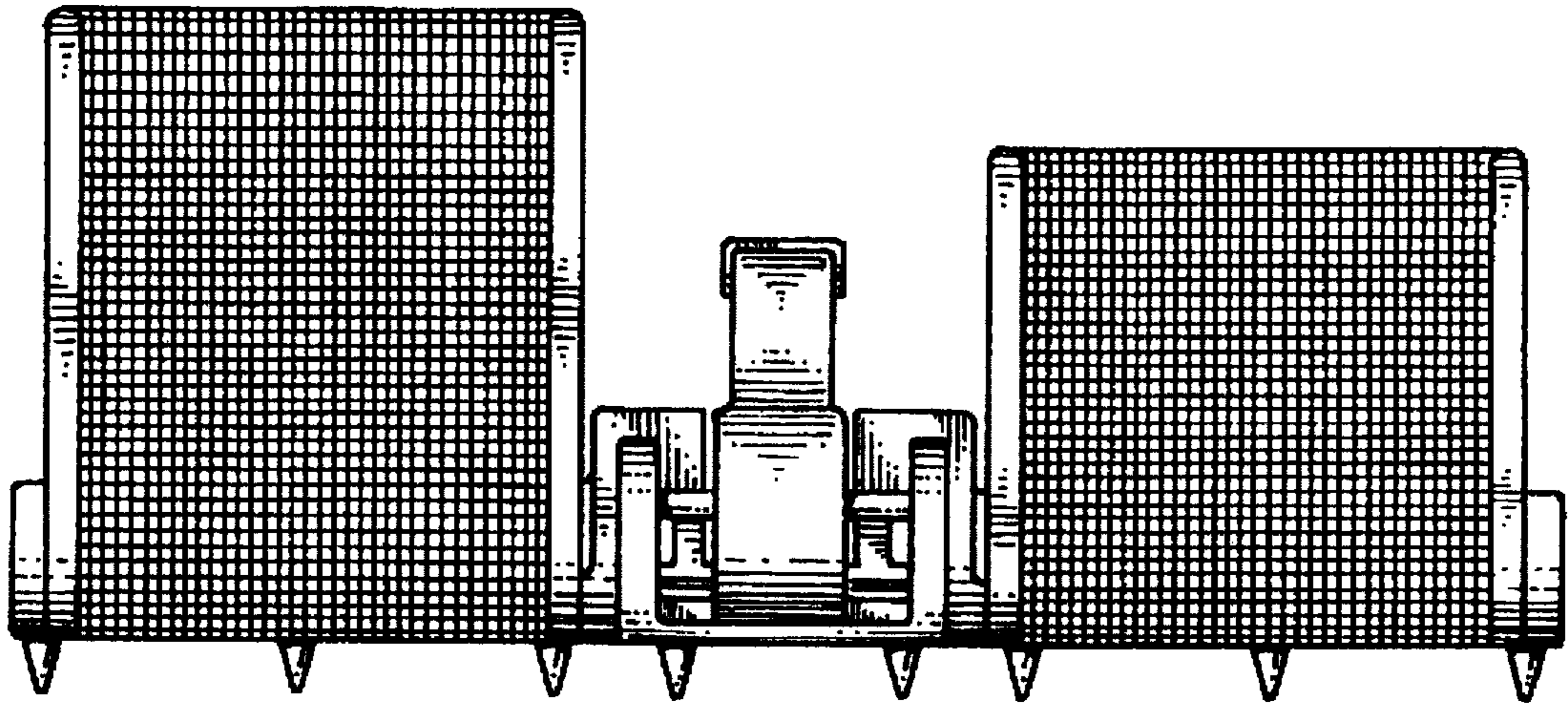


FIG. 6

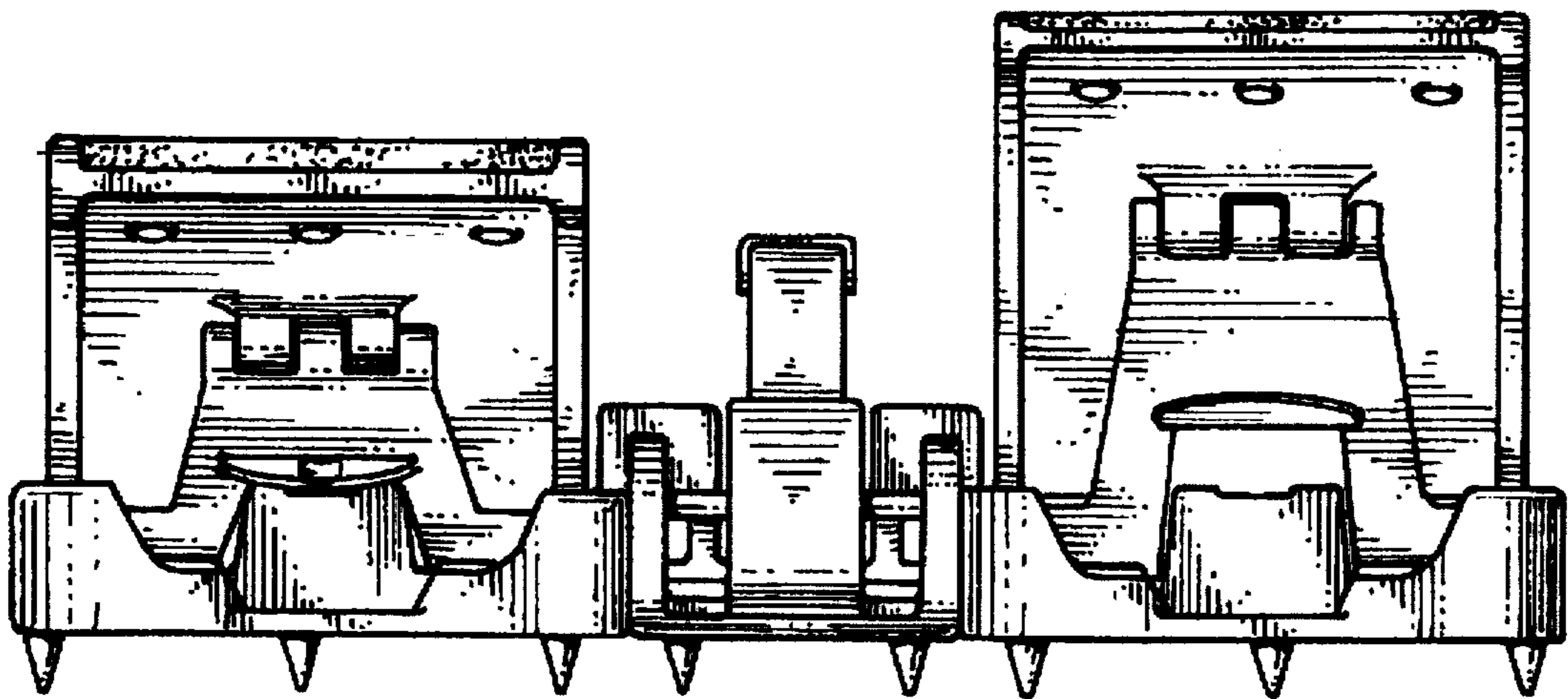


FIG. 7

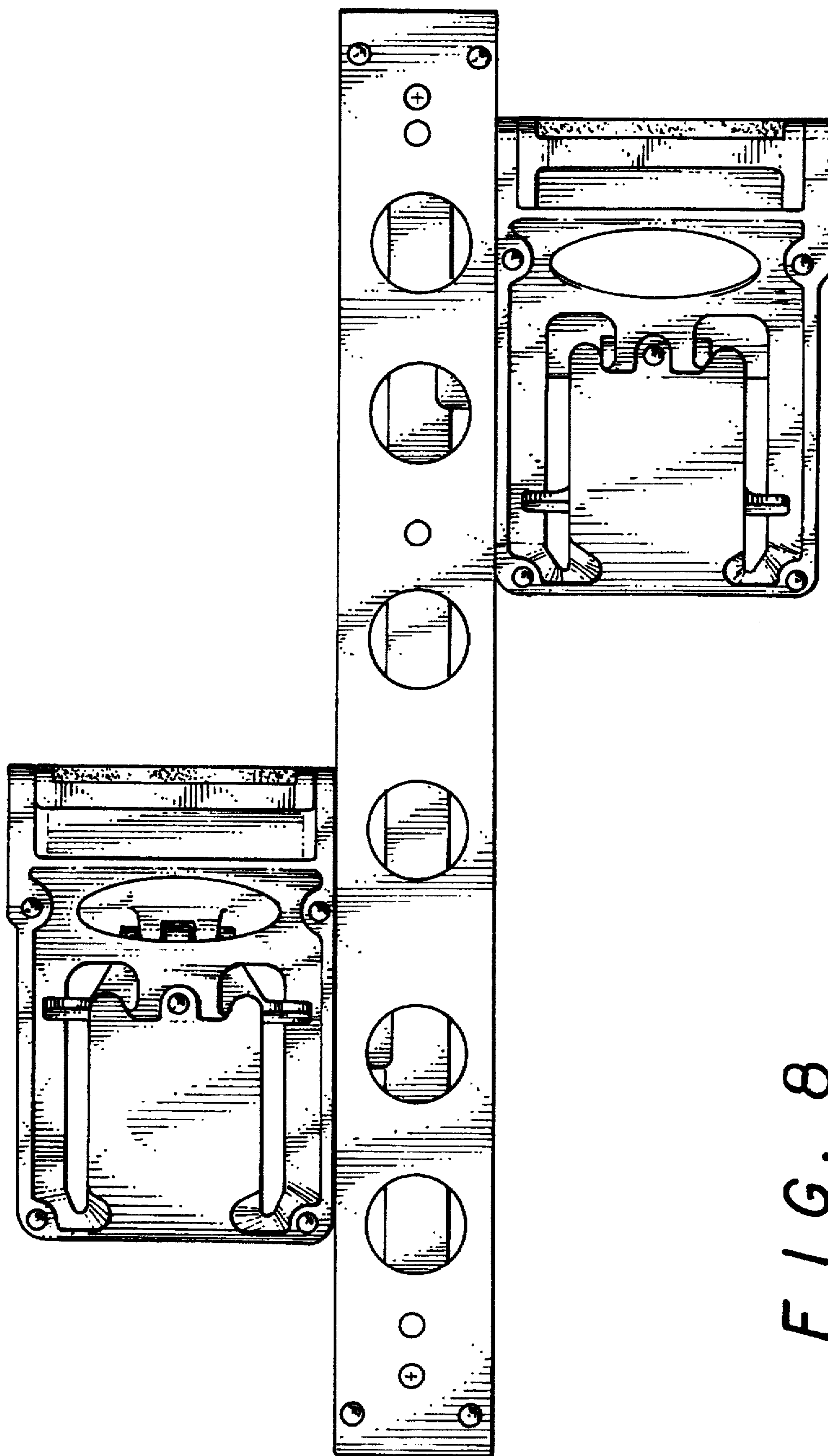


FIG. 8