

US00D385602S

United States Patent [19]

[11] Patent Number: **Des. 385,602**

Trottier

[45] Date of Patent: ****Oct. 28, 1997**

[54] **PHYSICAL EXERCISER**

4,907,798	3/1990	Burchatz	482/104
4,928,961	5/1990	Madden	482/104
4,949,959	8/1990	Stevens	482/104
5,298,004	3/1994	Davis	482/98

[76] Inventor: **Marc-André Trottier**, 521 Long, Dorion, Québec, Canada, J7V 1P2

[**] Term: **14 Years**

Primary Examiner—Philip S. Hyder

[21] Appl. No.: **26,288**

[57] CLAIM

[22] Filed: **Jun. 17, 1994**

The ornamental design for a physical exerciser, as shown and described.

[51] LOC (6) Cl. **21-02**

DESCRIPTION

[52] U.S. Cl. **D21/191; D21/195**

[58] Field of Search D21/191, 195; 482/138, 98, 99, 102, 103, 139, 104

FIG. 1 is a perspective view of a physical exerciser showing my new design;
 FIG. 2 is a front elevational view thereof;
 FIG. 3 is a rear elevational view thereof;
 FIG. 4 is a top plan view thereof;
 FIG. 5 is a left side elevational view of the physical exerciser; the right side elevational view being a mirror image thereof; and,
 FIG. 6 is a bottom plan view of the physical exerciser.

[56] References Cited

U.S. PATENT DOCUMENTS

D. 204,397	4/1966	Marcyan	D21/195
D. 269,889	7/1983	Beer	D21/191
4,252,314	2/1981	Ceppo	482/104
4,262,901	4/1981	Faust	482/104
4,369,966	1/1983	Silberman et al.	482/104

1 Claim, 6 Drawing Sheets

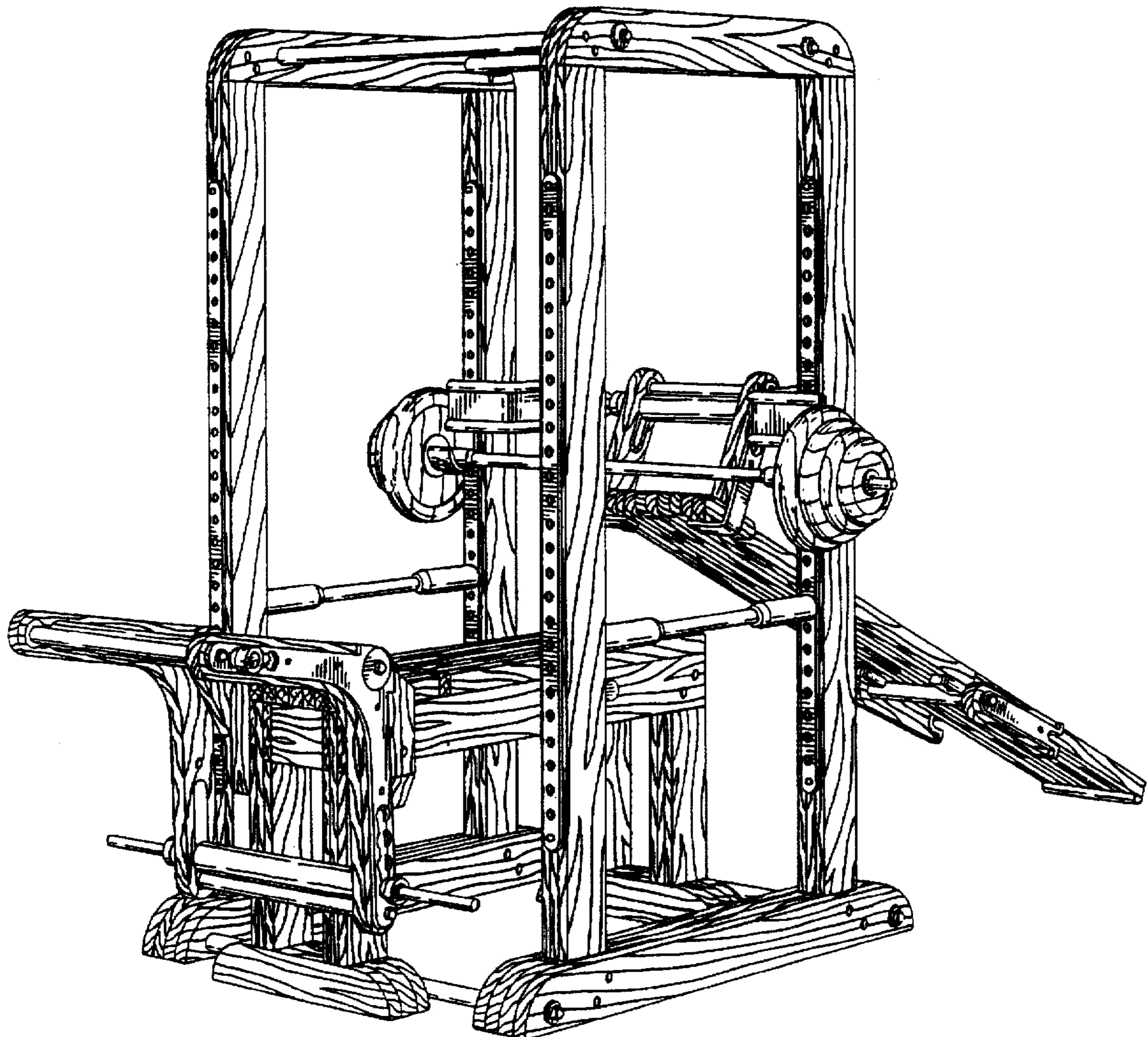
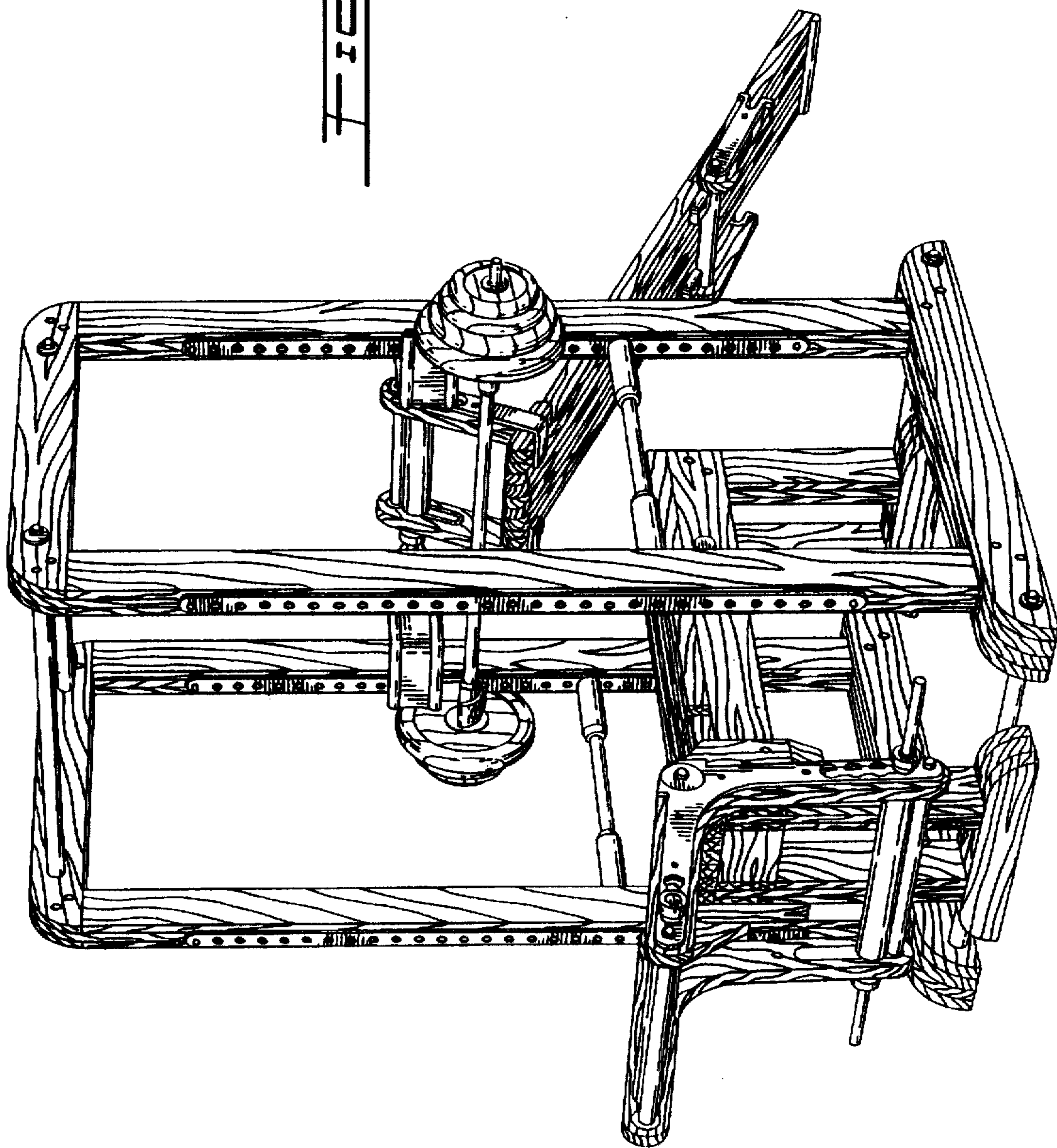


FIG. 1



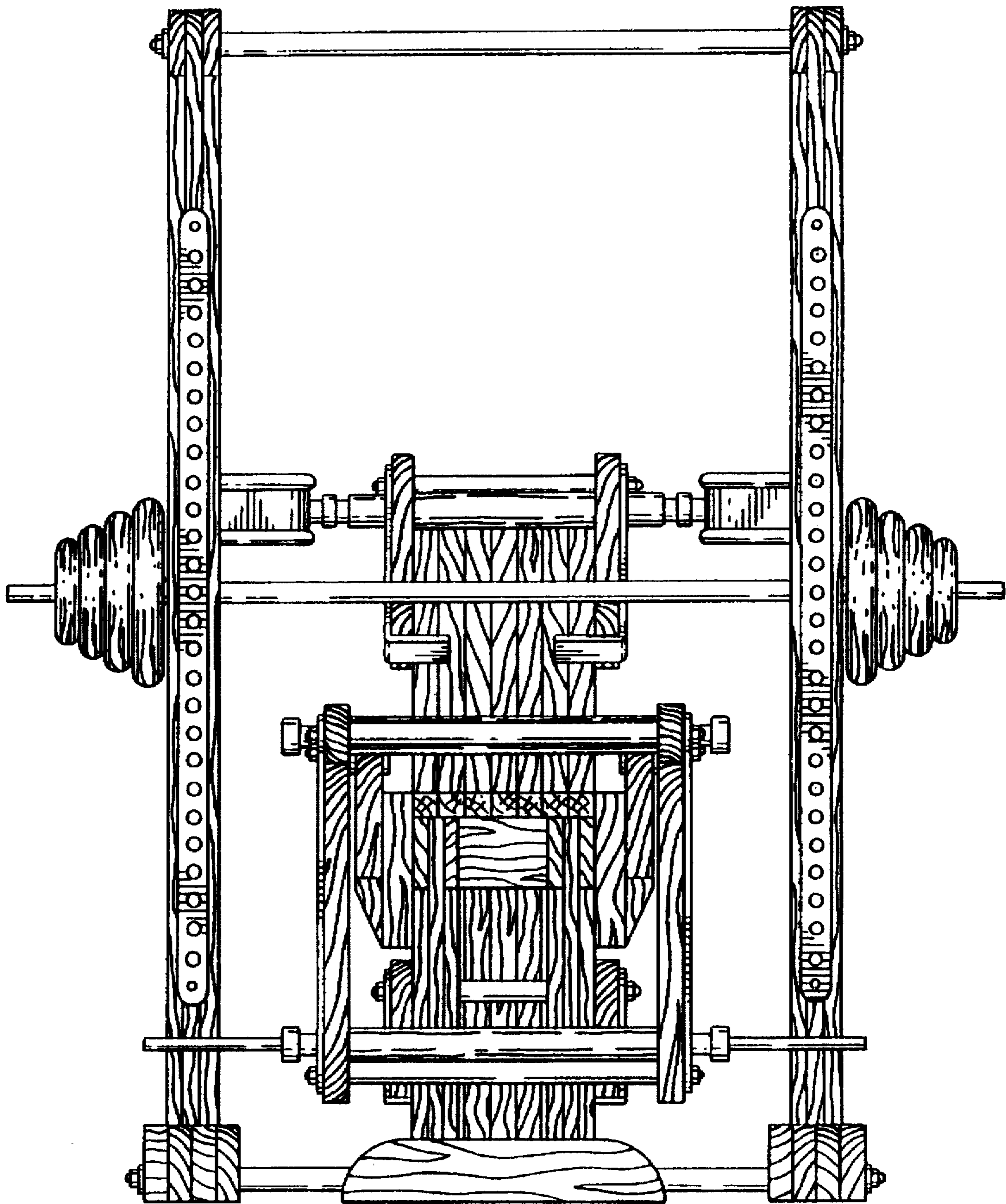


FIG. 2

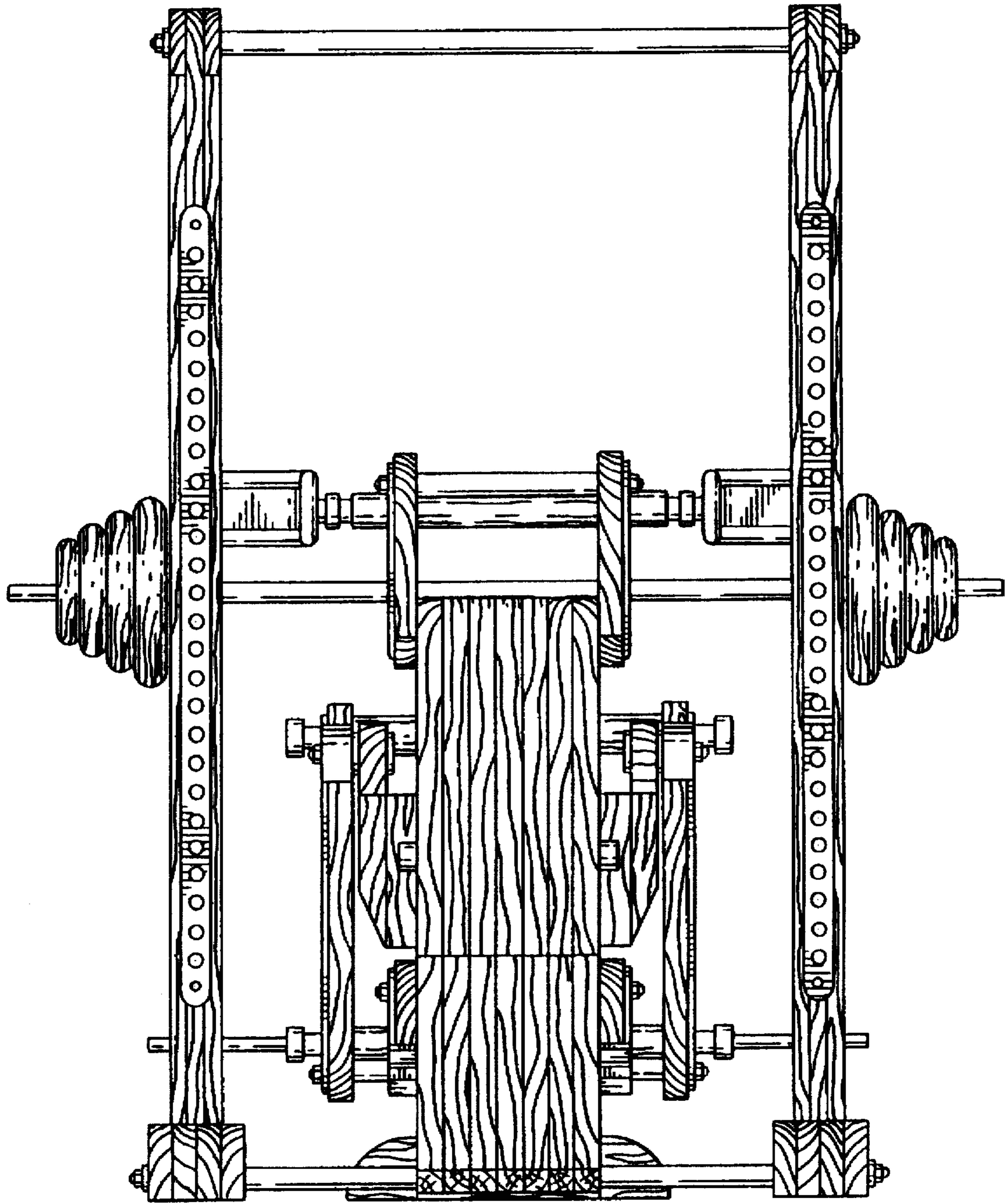


FIG. 3

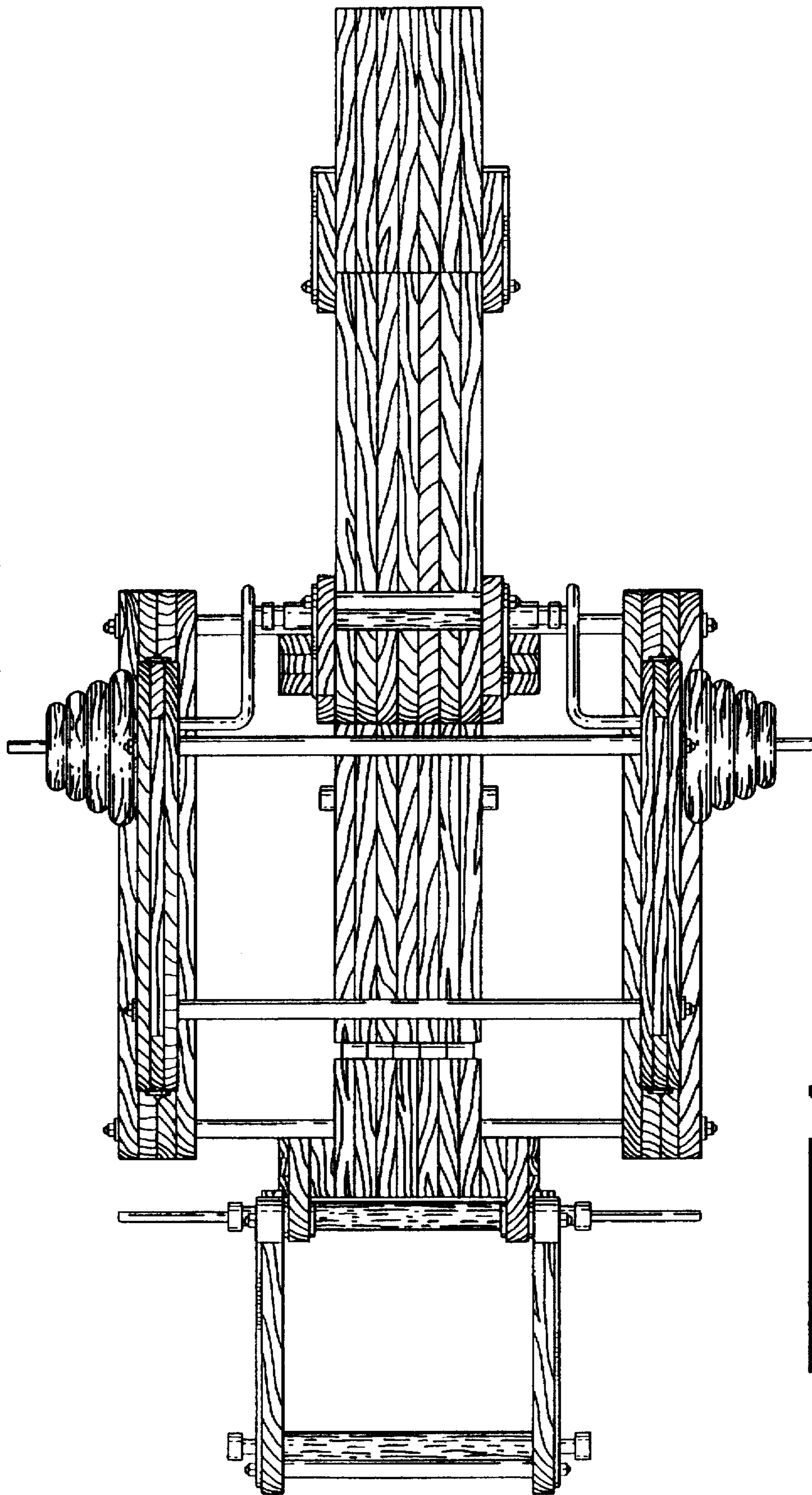


FIG. 4

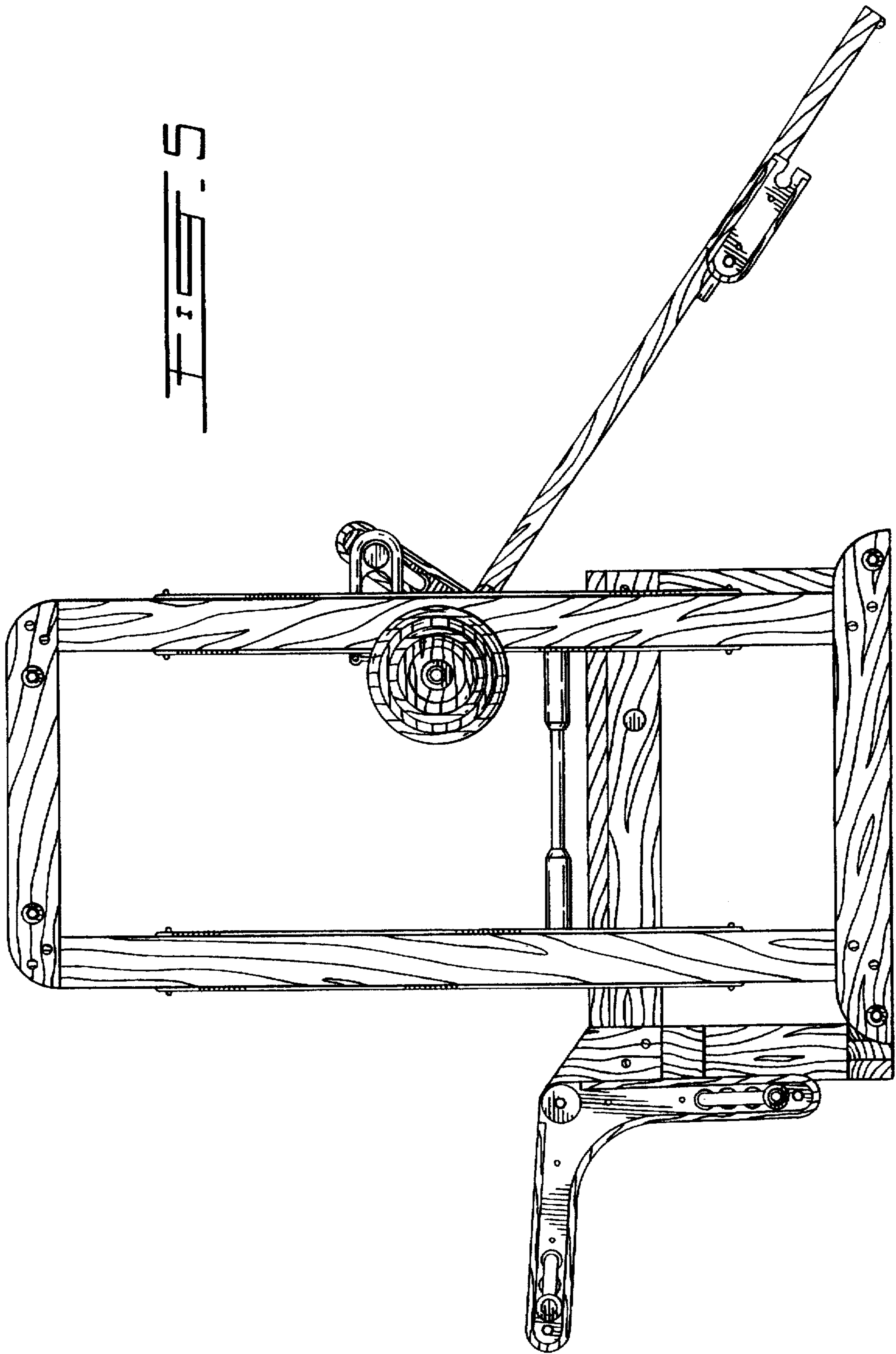


FIG. 5

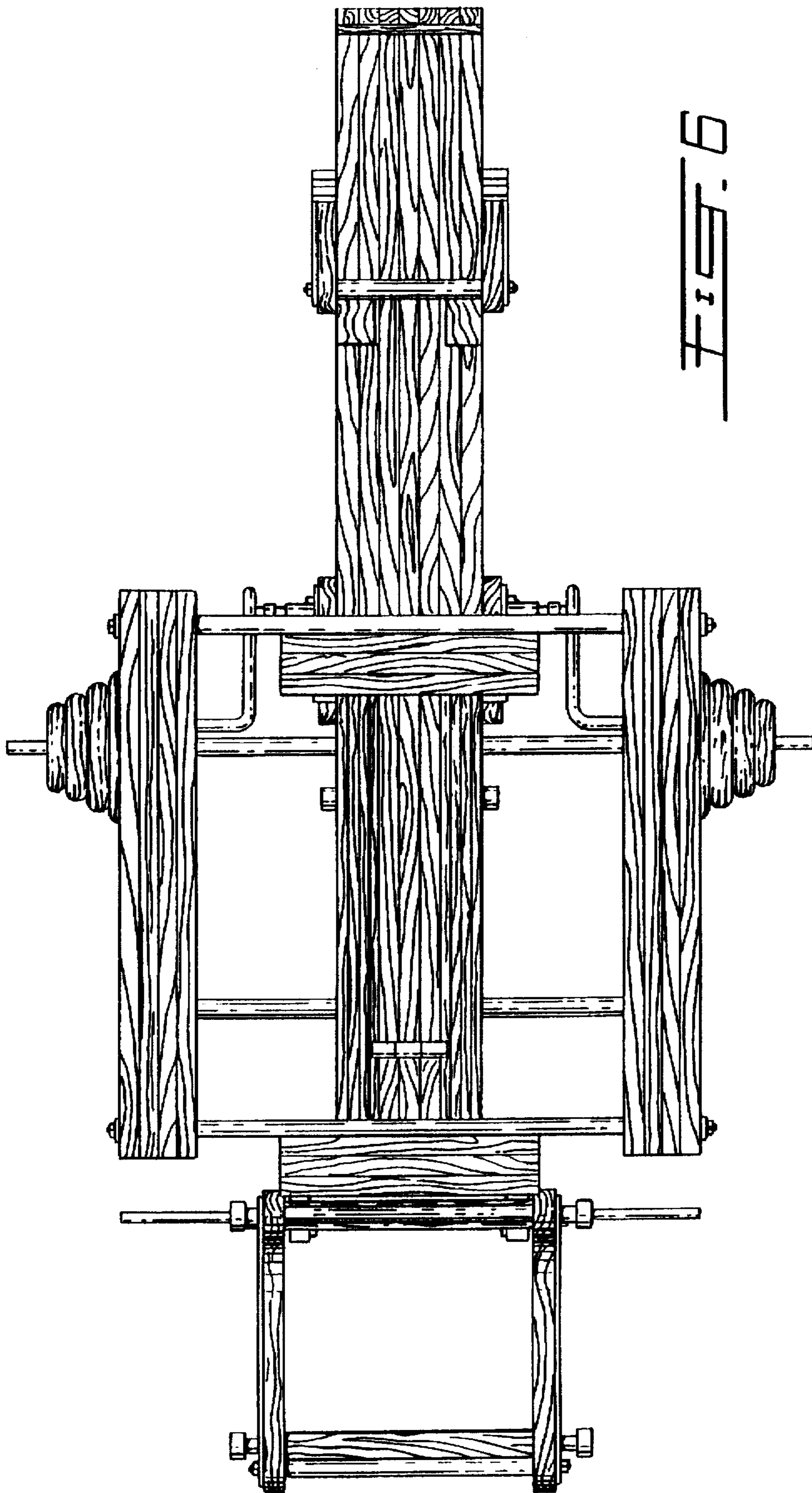


FIG. 6