

US00D385600S

# United States Patent [19]

[11] Patent Number: **Des. 385,600**

Lo et al.

[45] Date of Patent: **\*\*Oct. 28, 1997**

## [54] STRIDING EXERCISER

[76] Inventors: **Chung-Yen Lo; Fu-Shun Chien**, both of No. 1-2, Lane 975, Chun-Jih Road, Tao-Yuan City, Taiwan

[\*\*] Term: **14 Years**

[21] Appl. No.: **56,809**

[22] Filed: **Jul. 9, 1996**

D. 303,131	8/1989	Lo	.....	D21/192
D. 328,934	8/1992	Friedebach	.....	D21/191
D. 344,994	3/1994	Chi	.....	D21/195
D. 358,436	5/1995	Piaget et al.	.....	D21/192
5,299,996	4/1994	Chi	.....	482/51
5,338,273	8/1994	Metcalf et al.	.....	482/51

*Primary Examiner*—Philip S. Hyder  
*Attorney, Agent, or Firm*—Morton J. Rosenberg; David I. Klein

### Related U.S. Application Data

[63] Continuation-in-part of Ser. No. 53,380, Apr. 19, 1996.

[51] LOC (6) Cl. .... **21-02**

[52] U.S. Cl. .... **D21/191; D21/192**

[58] Field of Search ..... D21/191, 192,  
D21/193, 194, 195; 482/51, 70, 52, 53,  
54, 71

## [57] CLAIM

The ornamental design for a striding exerciser, as show and described.

## DESCRIPTION

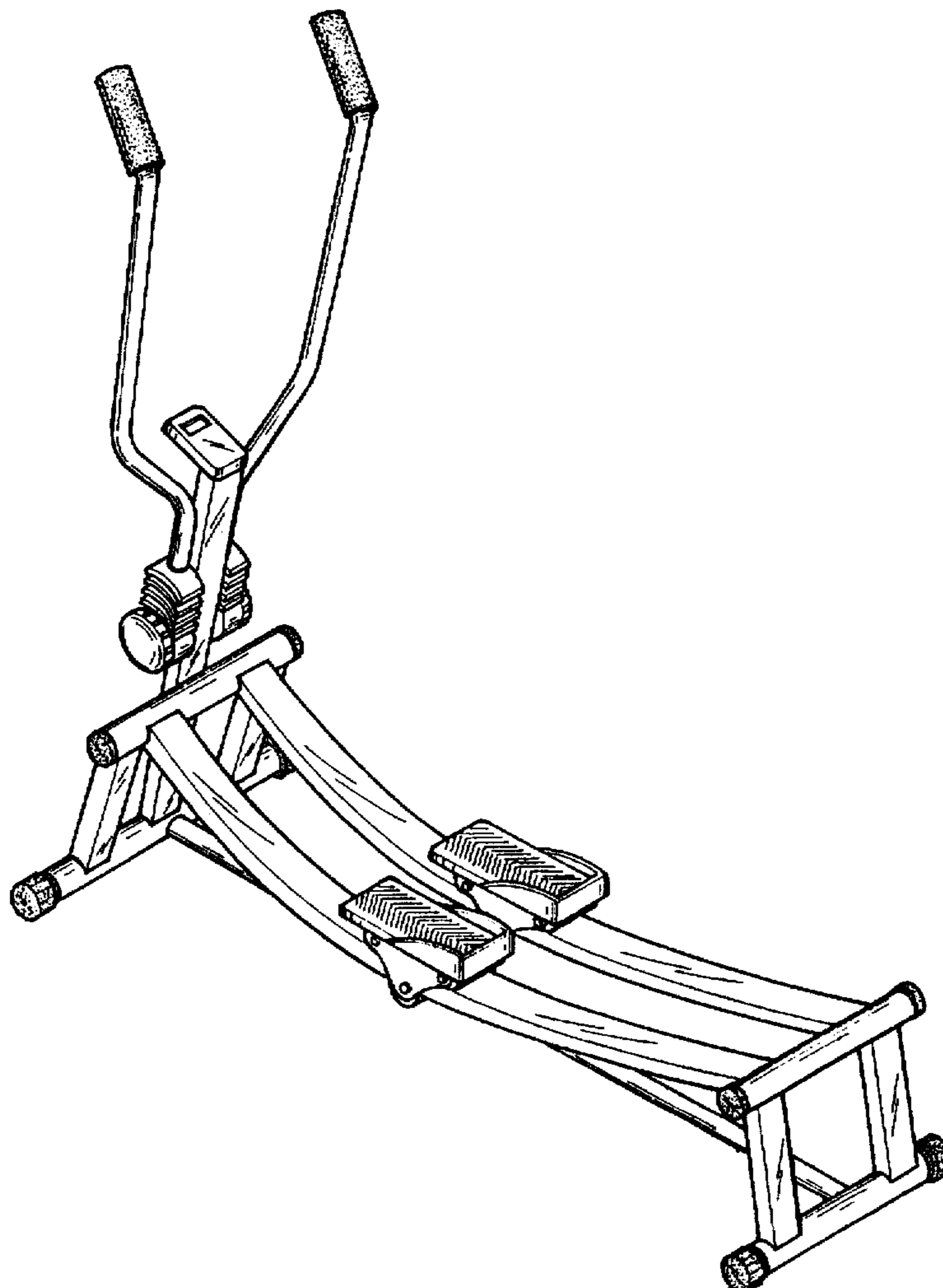
FIG. 1 is a perspective view of a striding exerciser;  
FIG. 2 is a front view thereof;  
FIG. 3 is a rear view thereof;  
FIG. 4 is a left side elevational view thereof;  
FIG. 5 is a right side elevational view thereof;  
FIG. 6 is a top plan view thereof; and,  
FIG. 7 is a bottom plan view thereof.

## [56] References Cited

### U.S. PATENT DOCUMENTS

D. 299,369 1/1989 Smith et al. .... D21/191

**1 Claim, 7 Drawing Sheets**



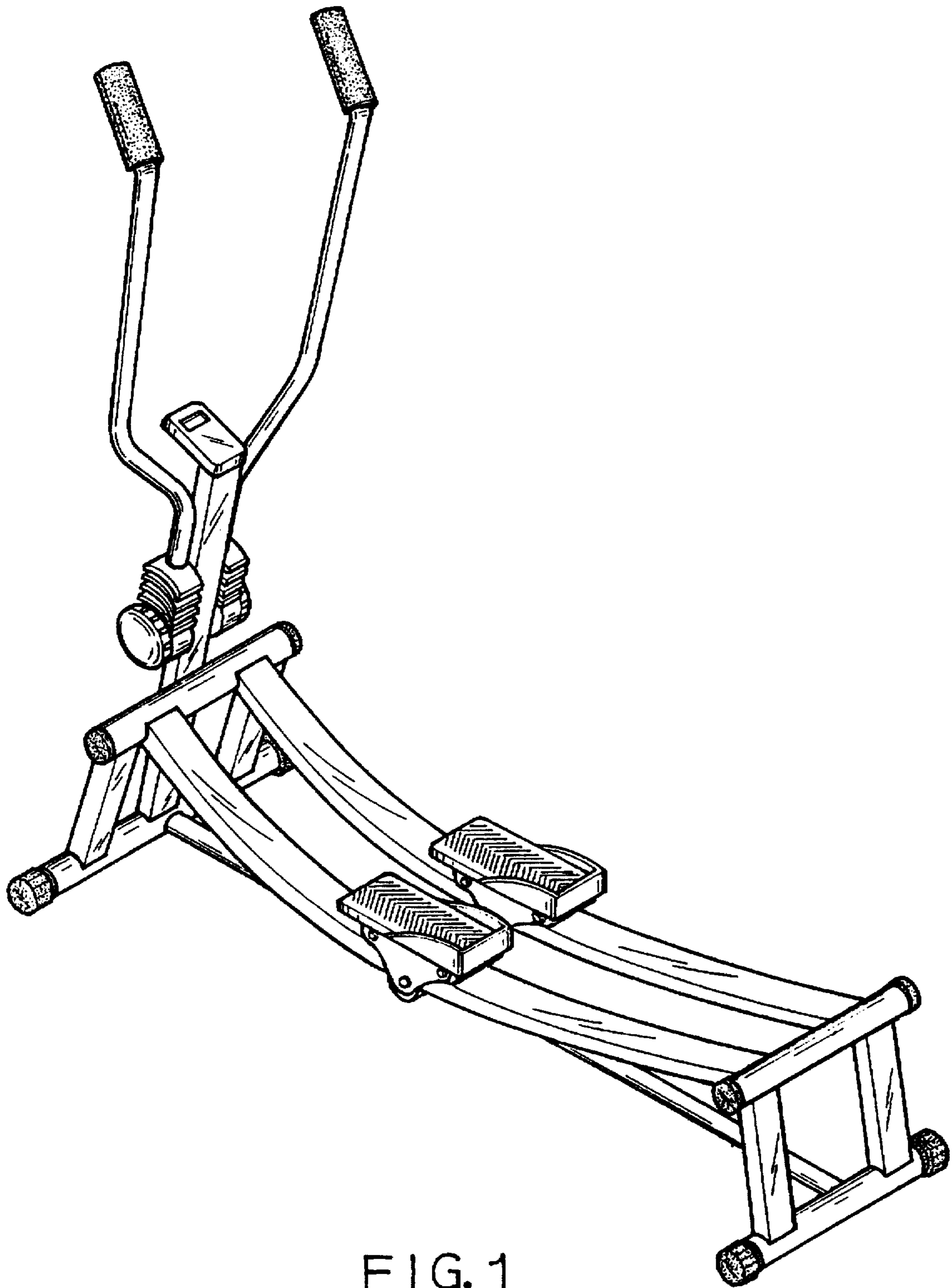


FIG. 1

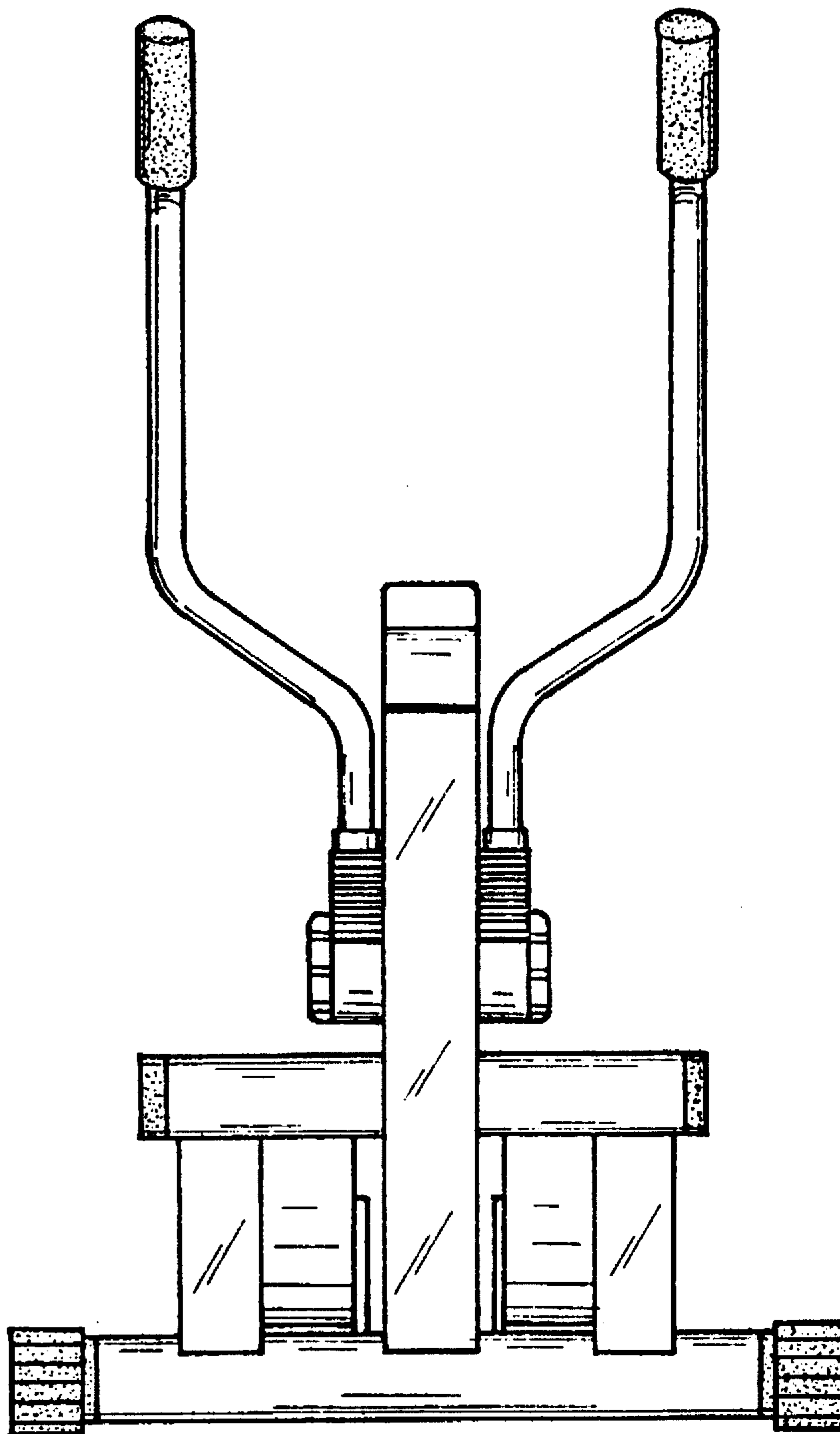


FIG. 2

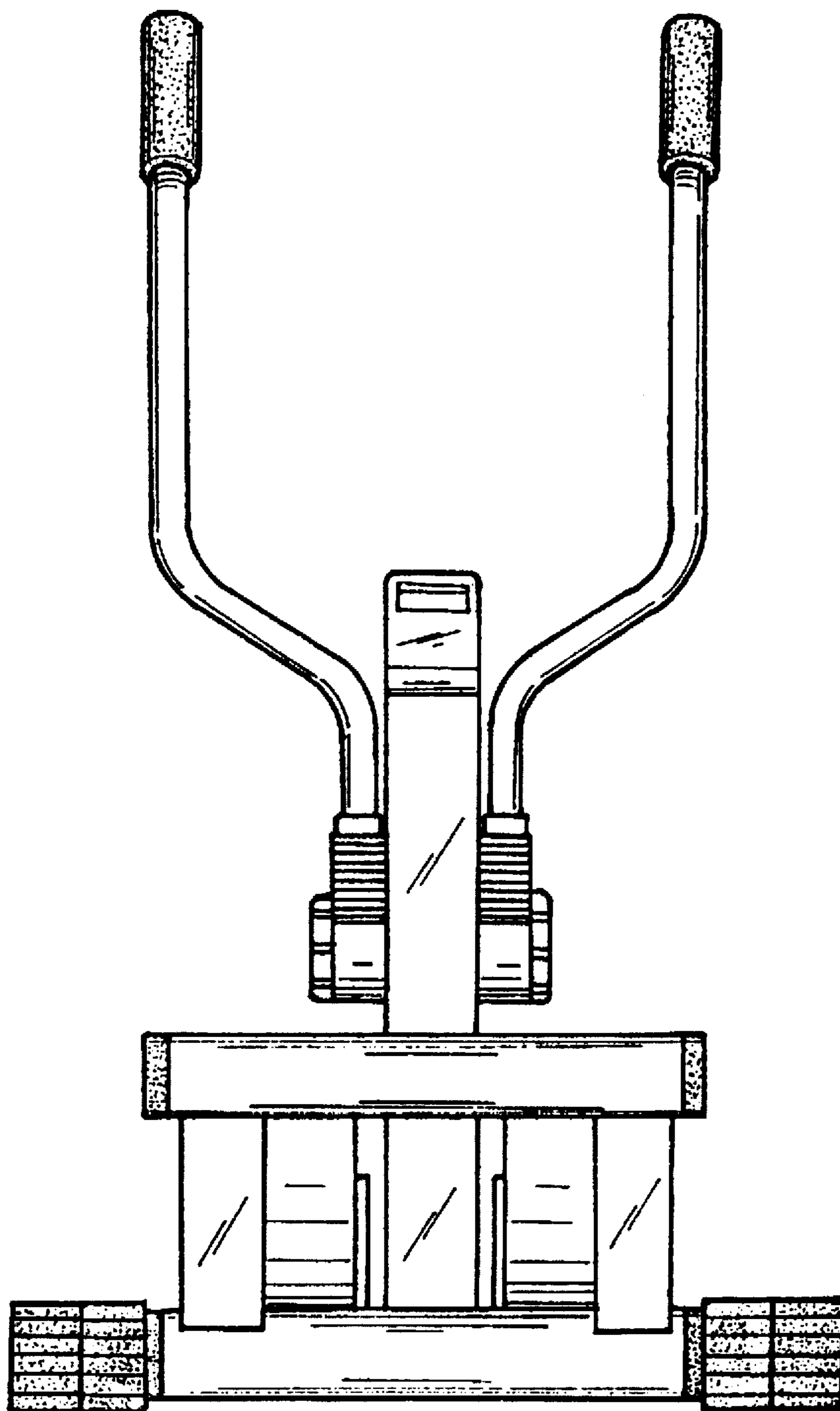


FIG. 3

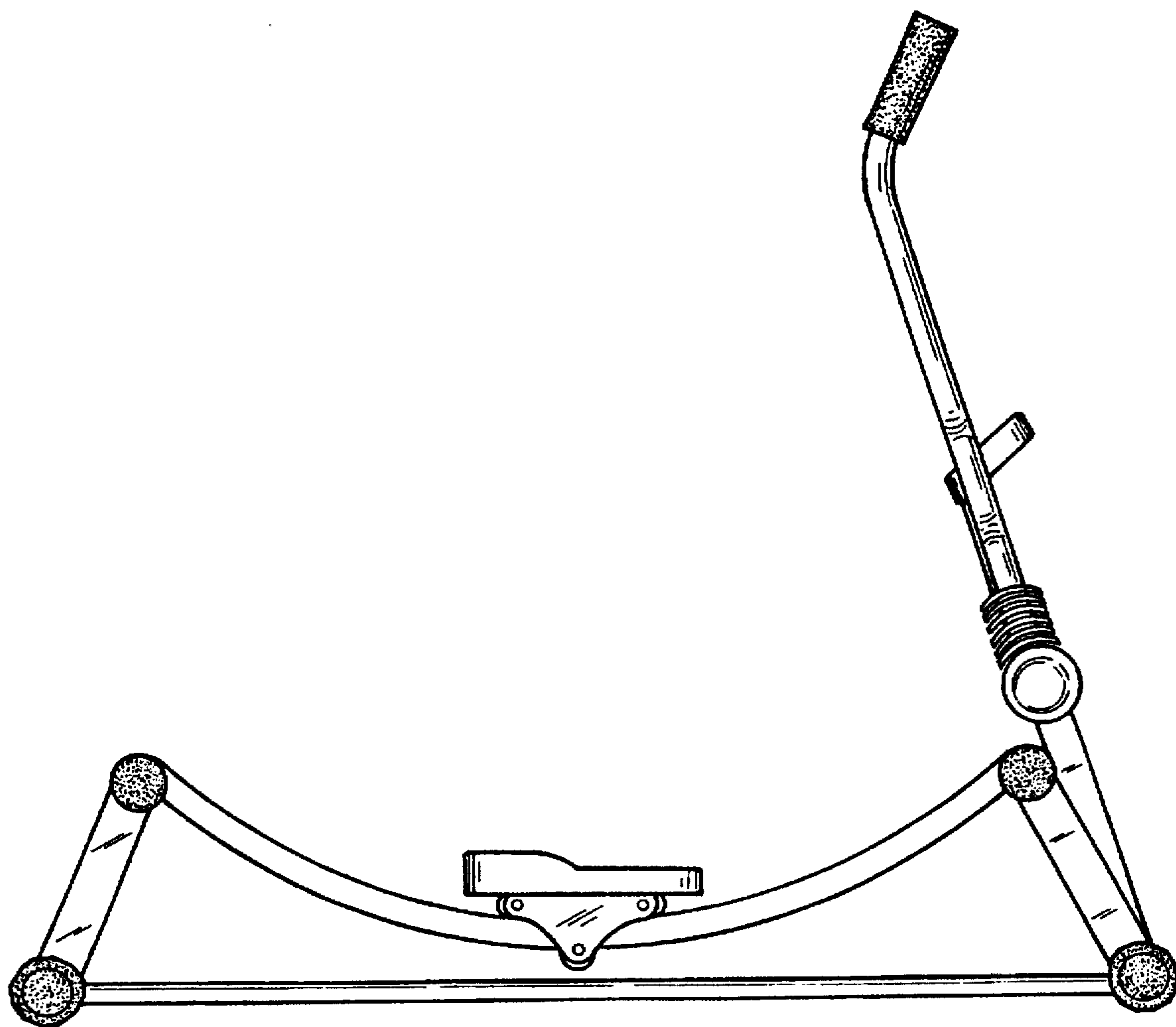


FIG. 4

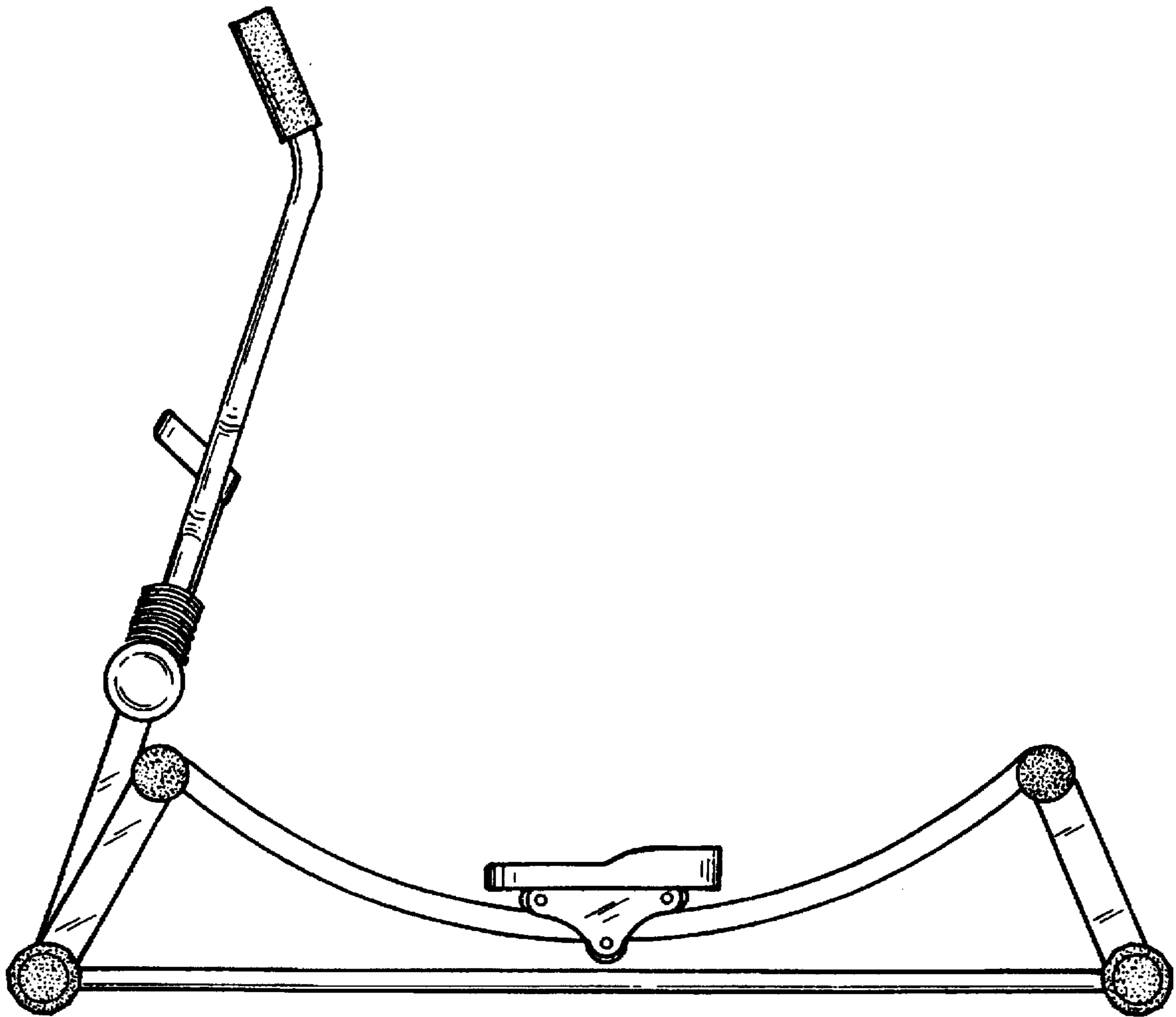


FIG. 5

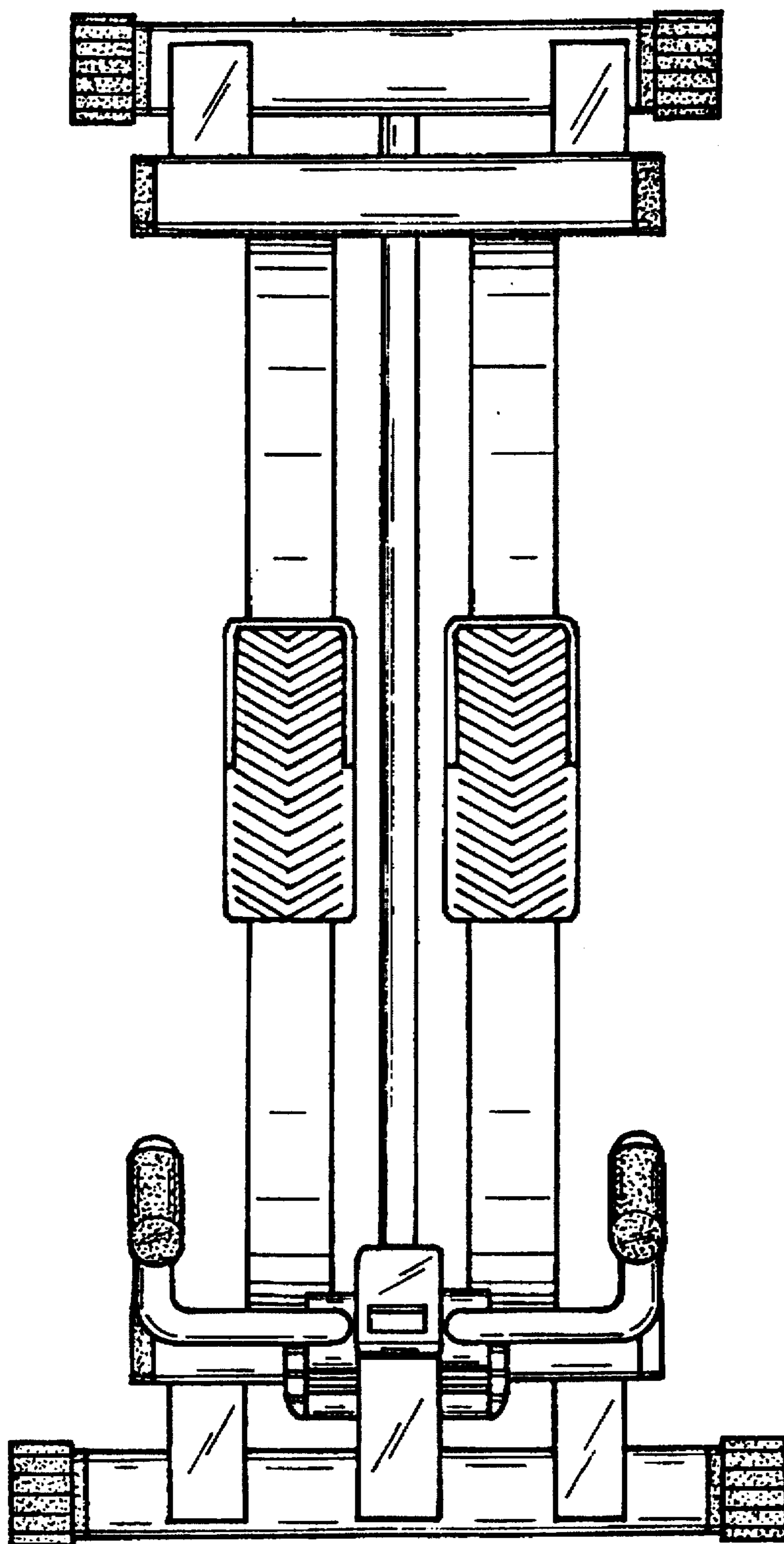


FIG. 6

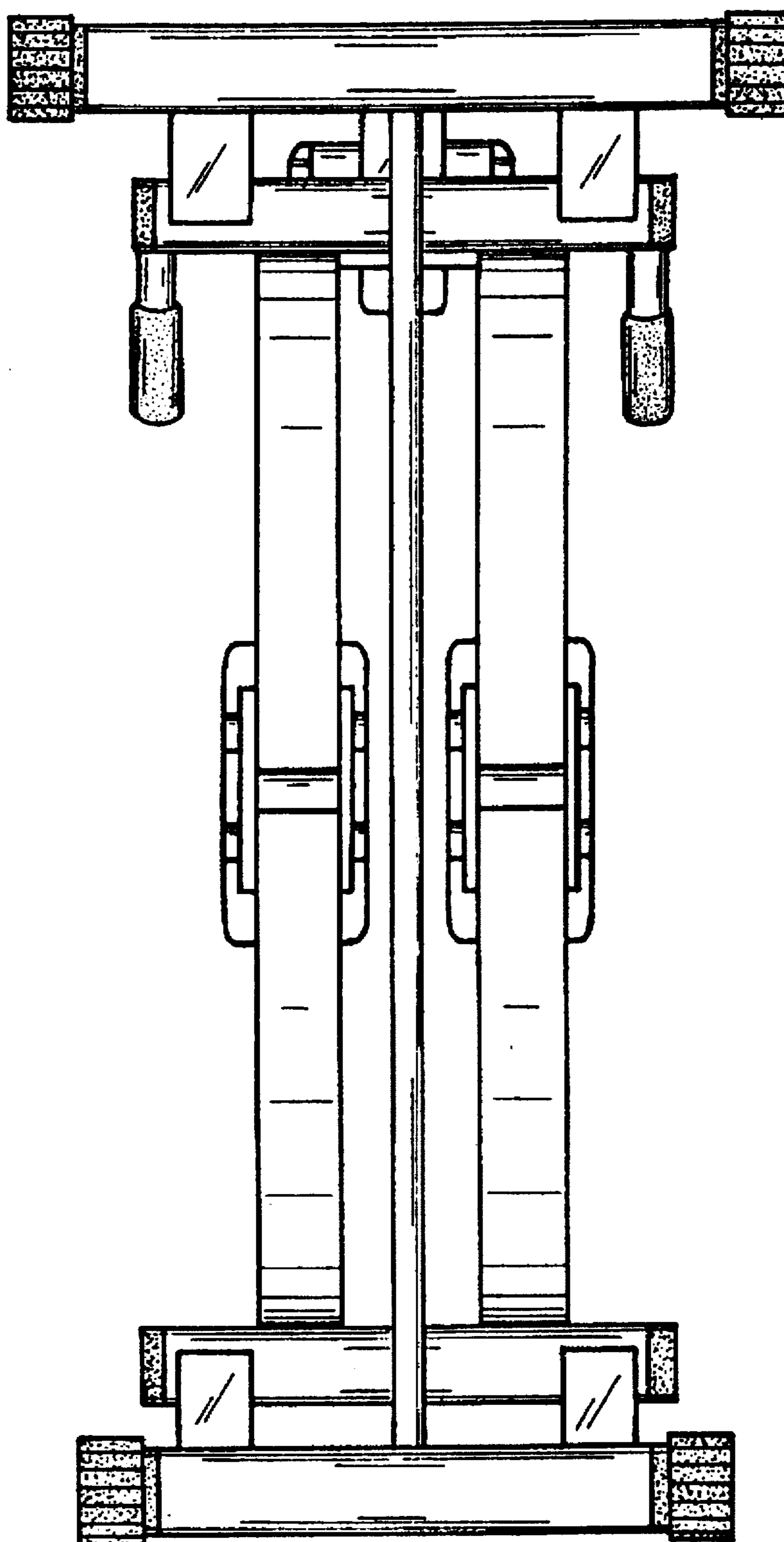


FIG. 7