



US00D385591S

United States Patent [19]

Hartman et al.

[11] Patent Number: **Des. 385,591**

[45] Date of Patent: ****Oct. 28, 1997**

[54] **PLAY STRUCTURE**

[75] Inventors: **David Hartman, Tottenham; Steven Hartman, Erin; Michael White, Brampton, all of Canada**

[73] Assignee: **Industrial Thermo Polymers Limited, Brampton, Canada**

[**] Term: **14 Years**

[21] Appl. No.: **52,938**

[22] Filed: **Apr. 10, 1996**

[51] LOC (6) Cl. **21-01**

[52] U.S. Cl. **D21/114; D21/253; D21/240**

[58] Field of Search **D21/114, 253, D21/240; D25/16-21, 29; 446/106, 105, 110, 476, 478; 52/2.18, 233, 286; 135/115, 900, 902**

[56] **References Cited**

U.S. PATENT DOCUMENTS

D. 223,500 4/1972 Omlie D21/114

D. 230,285	2/1974	Dilley	D21/114
D. 351,637	10/1994	Neidig	D21/240
1,287,771	12/1918	Schmitt	446/110
1,425,166	8/1922	Bergmann	446/106
1,710,947	4/1929	Payne	52/233
2,635,303	4/1953	Poynter	52/233
4,000,585	1/1977	Denaro	135/115

Primary Examiner—Raphael Barkai

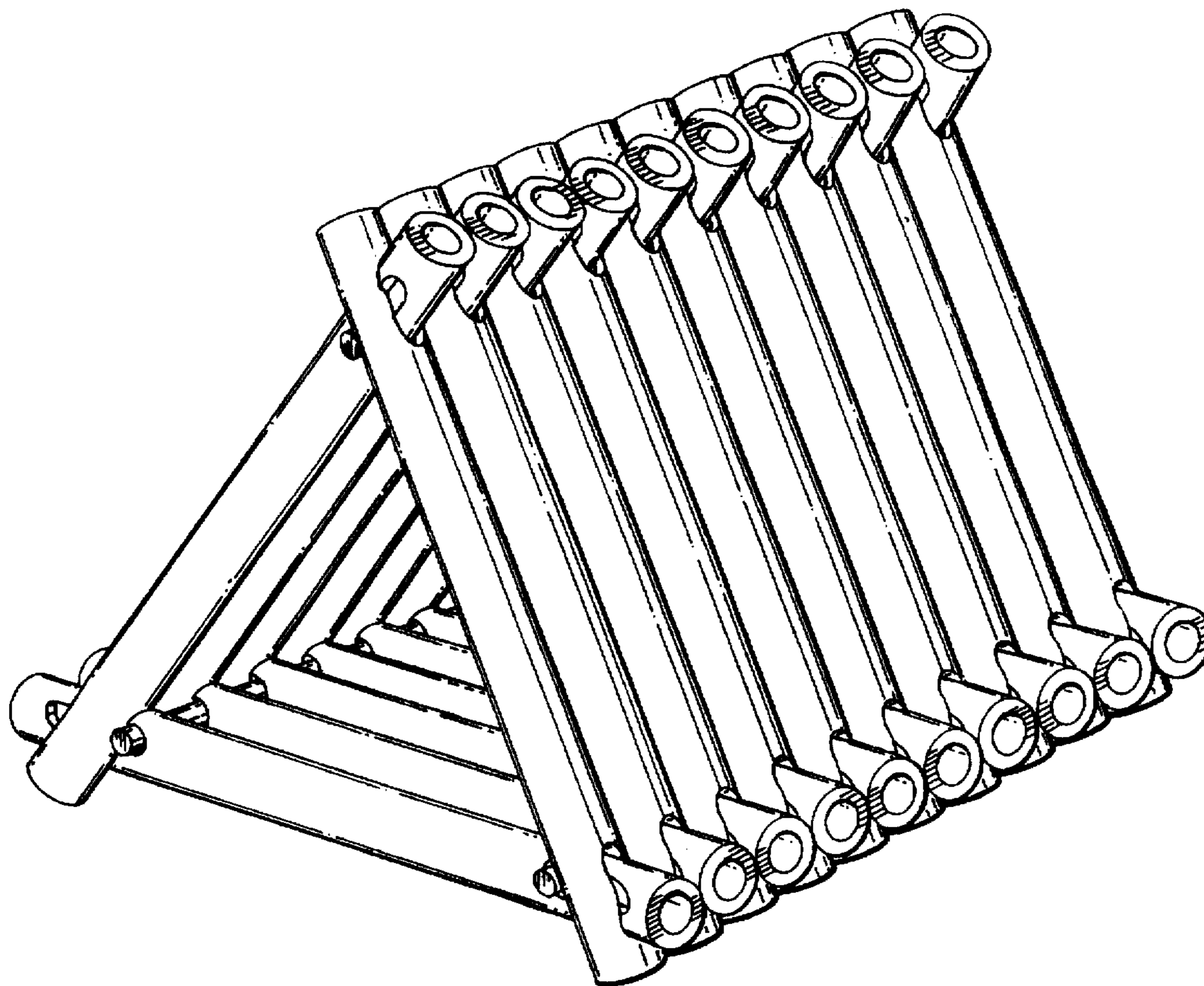
[57] **CLAIM**

The ornamental design for a play structure, as shown.

DESCRIPTION

FIG. 1 is a perspective of the play structure to which the design has been applied;
FIG. 2 is a front view of the play structure of FIG. 1;
FIG. 3 is a right side view of the play structure of FIG. 1;
FIG. 4 is a back view of the play structure of FIG. 1;
FIG. 5 is a top view of the play structure of FIG. 1;
FIG. 6 is a left side view of the play structure of FIG. 1; and,
FIG. 7 is a bottom view of the play structure of FIG. 1.

1 Claim, 4 Drawing Sheets



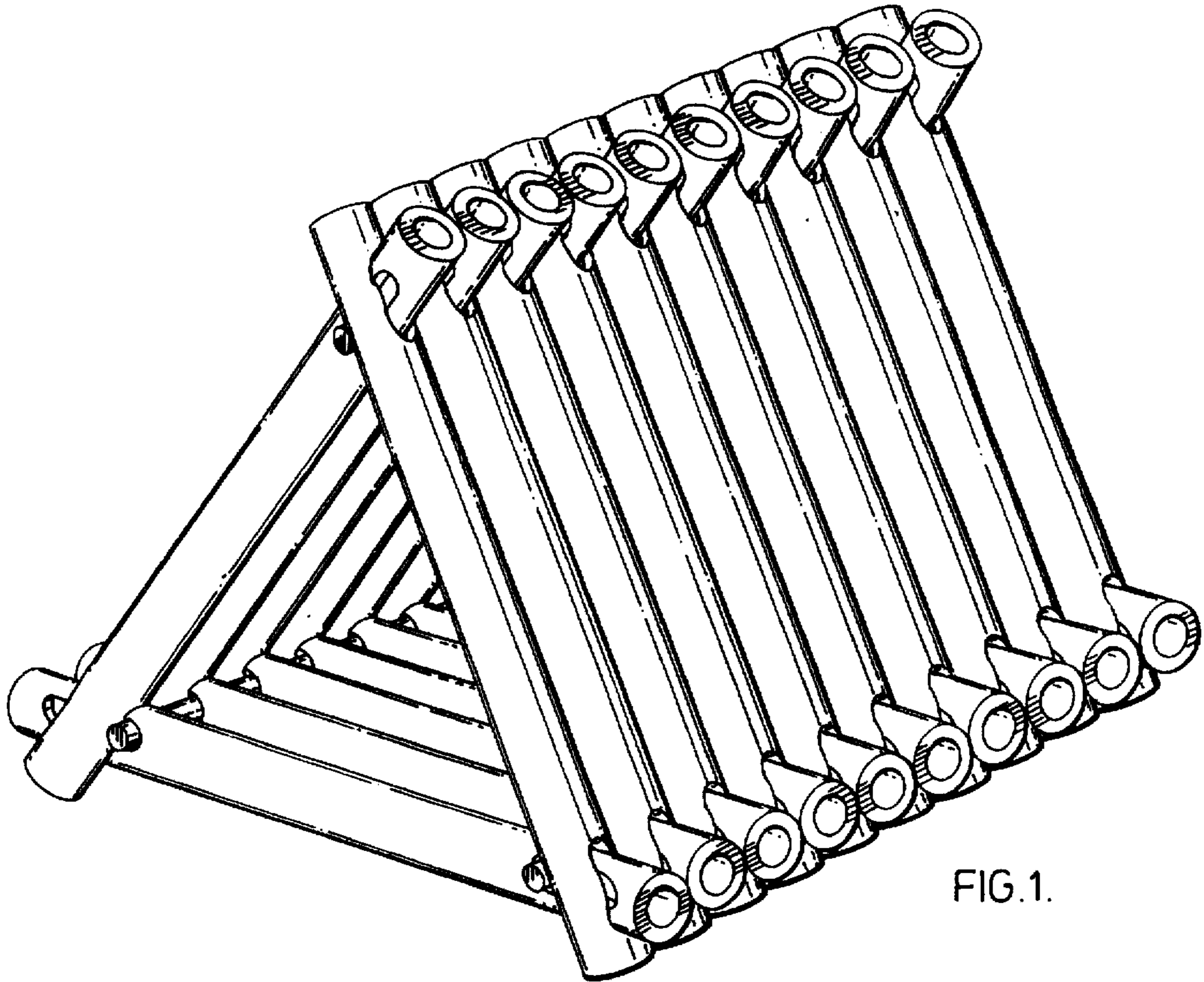


FIG. 1.

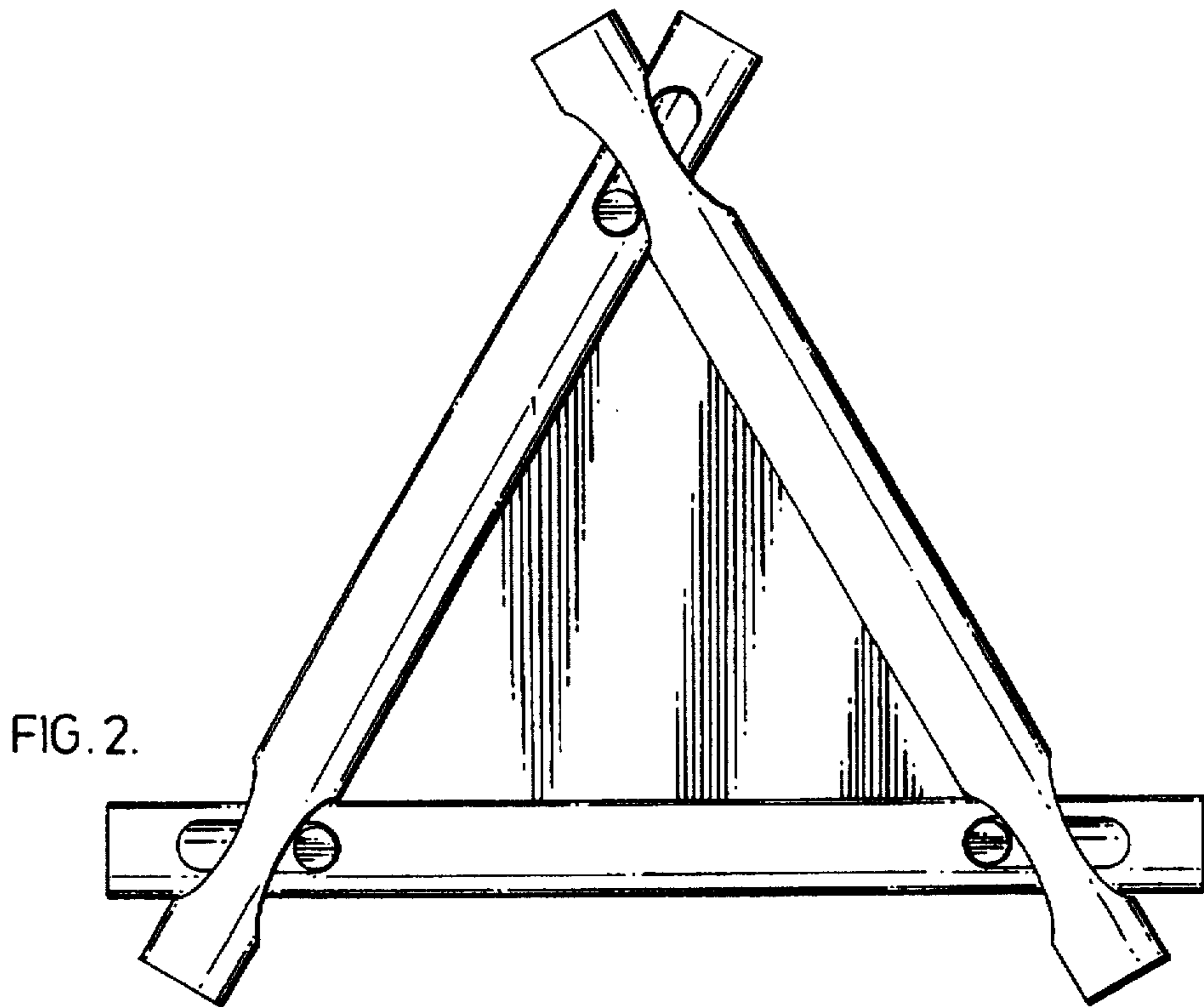


FIG. 2.

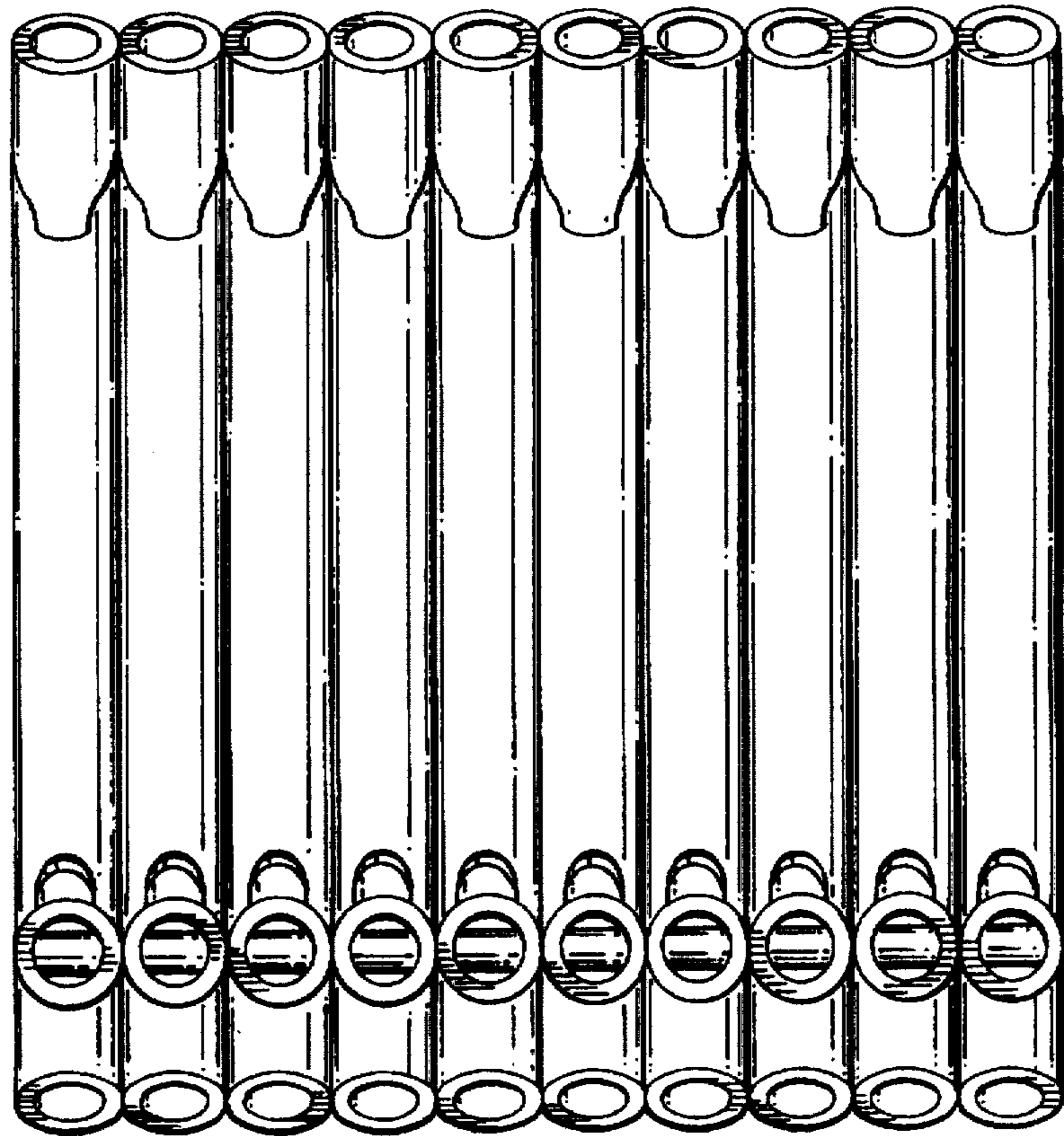


FIG. 3.

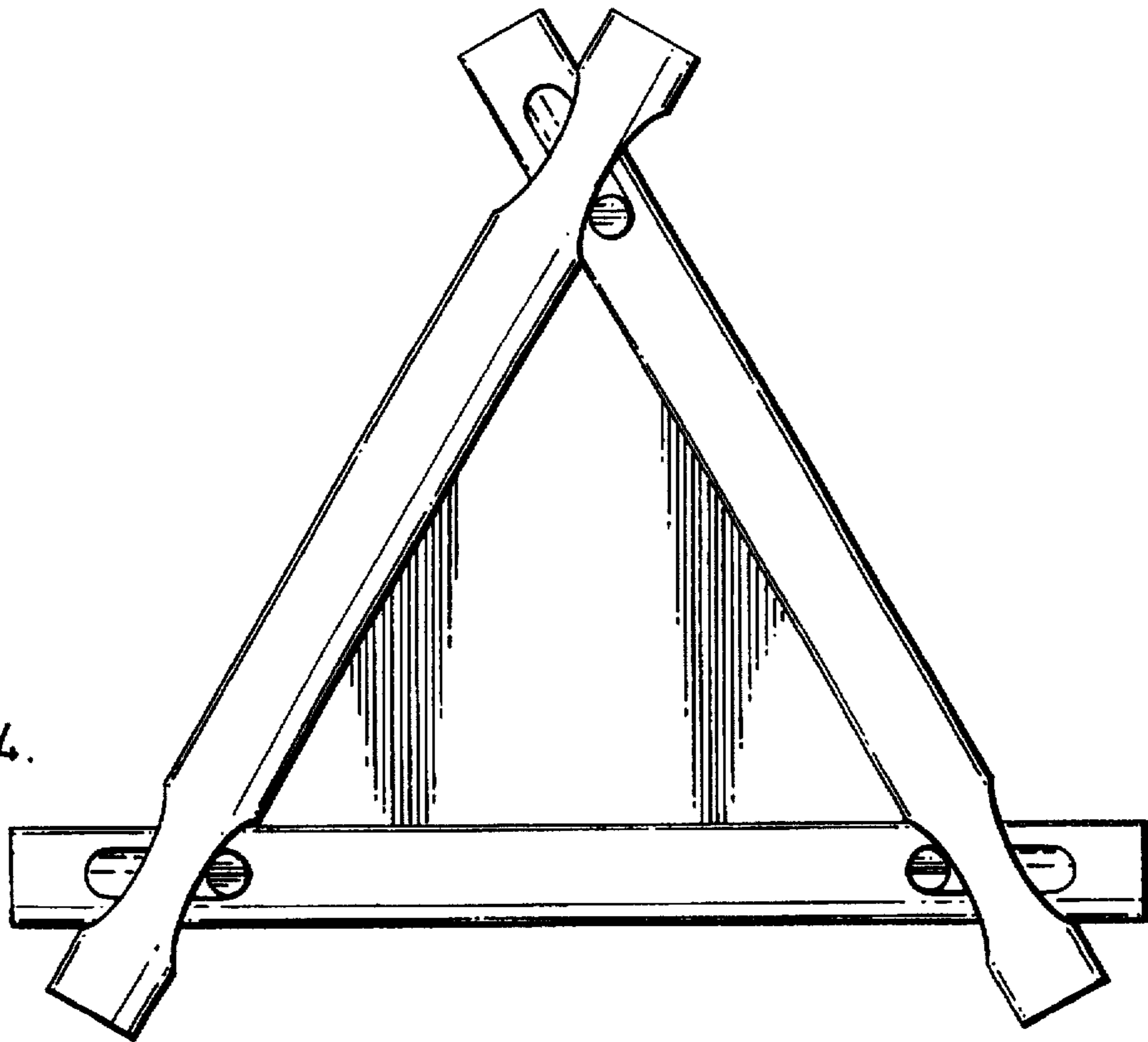


FIG. 4.

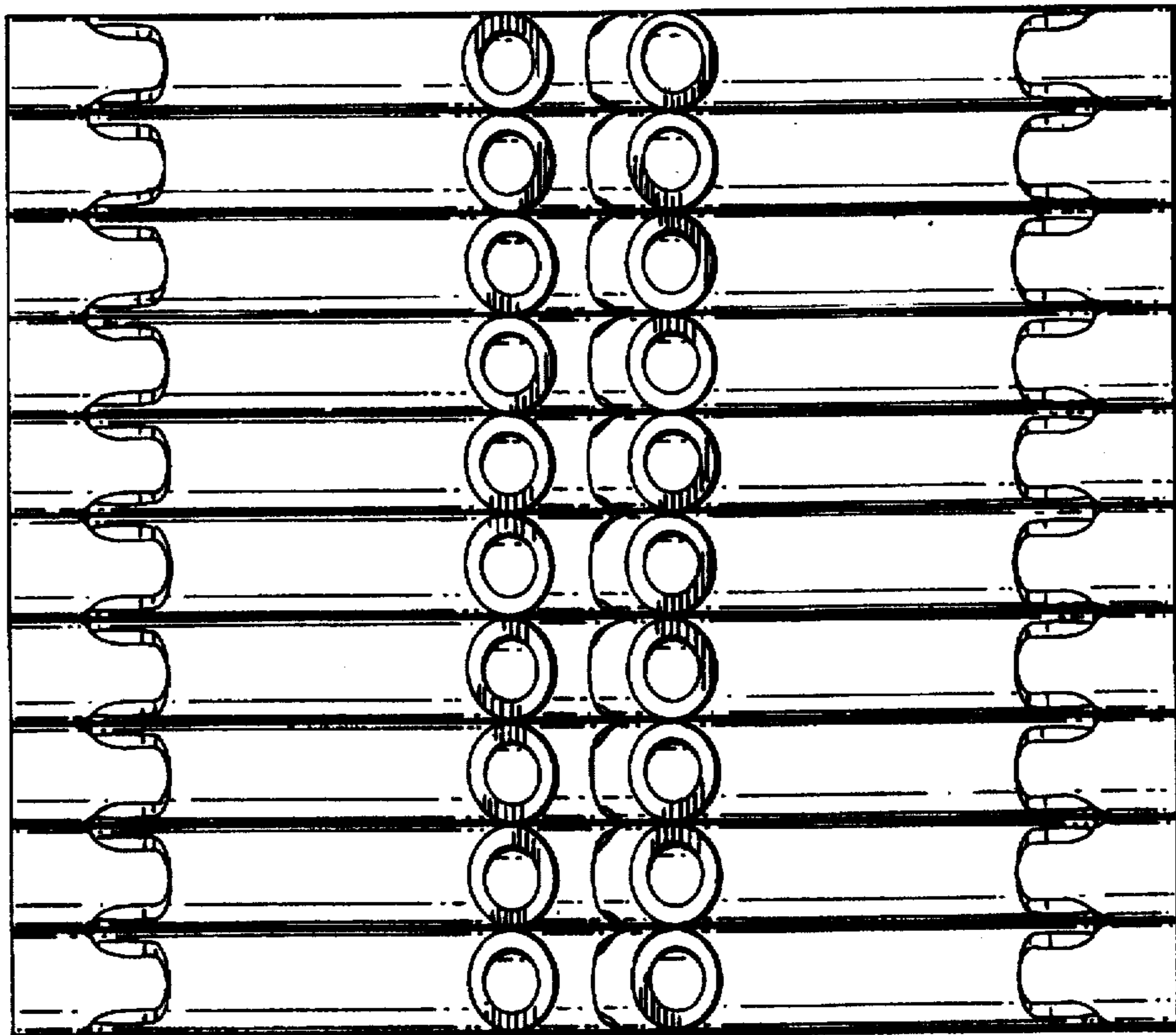


FIG. 5.

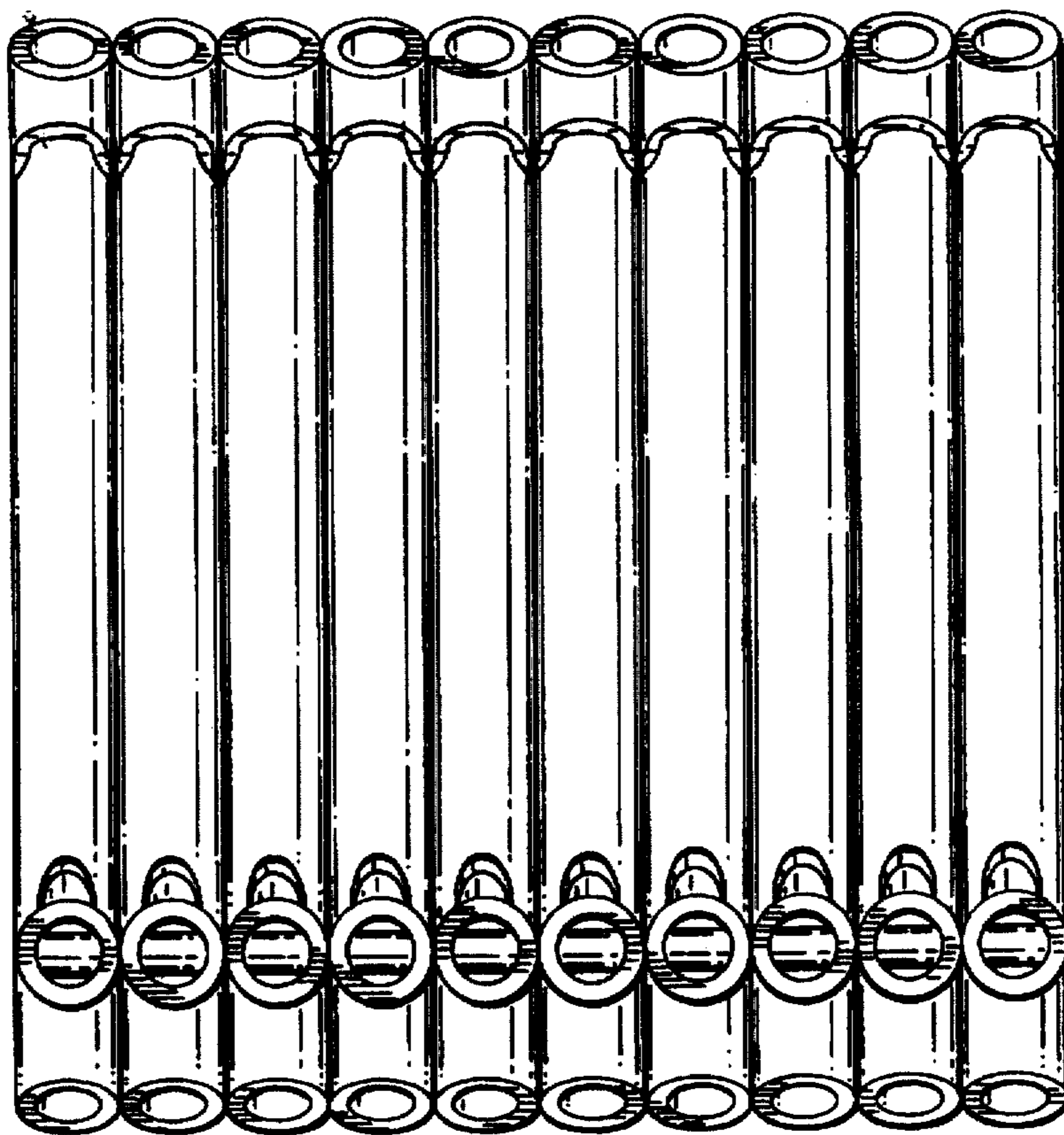


FIG. 6..

FIG. 7.

