

US00D385590S

United States Patent [19] Choi

[11] Patent Number: **Des. 385,590**

[45] Date of Patent: ****Oct. 28, 1997**

[54] **TOY PRE-SCHOOL COMPUTER**

Primary Examiner—Raphael Barkai

[76] Inventor: **Kevin Kei Fung Choi**, 26th Floor, 38 Russell Street, Causeway Bay, Hong Kong

[57] **CLAIM**

The ornamental design for the toy pre-school computer, as shown and described.

[**] Term: **14 Years**

DESCRIPTION

[21] Appl. No.: **54,365**

FIG. 1 is a front view of my design;

[22] Filed: **May 13, 1996**

FIG. 2 is a front view thereof lined for surface contrast;

[51] LOC (6) Cl. **21-01**

FIG. 3 is a perspective view thereof;

[52] U.S. Cl. **D21/111**

FIG. 4 is a perspective view thereof lined for surface contrast;

[58] Field of Search D21/109, 59, 111;
D14/106; D19/59, 60; 446/141, 143, 227,
408, 491

FIG. 5 is a rear view thereof;

FIG. 6 is a rear view thereof lined for surface contrast;

[56] References Cited

U.S. PATENT DOCUMENTS

D. 294,374	2/1988	Liu	D21/111
D. 299,730	2/1989	Nutten et al.	D21/111
D. 301,071	5/1989	Kit	D21/111
D. 327,498	6/1992	Watson et al.	D19/59
D. 344,971	3/1994	Roose	D21/111
D. 358,376	5/1995	Poon	D14/106
D. 359,752	6/1995	Yoshida	D14/106
D. 362,461	9/1995	Luong	D19/60
D. 367,046	2/1996	Haraga et al.	D14/106
5,312,284	5/1994	Grober et al.	446/143

FIG. 7 is a left side elevational view thereof;

FIG. 8 is a left side elevational view thereof lined for surface contrast;

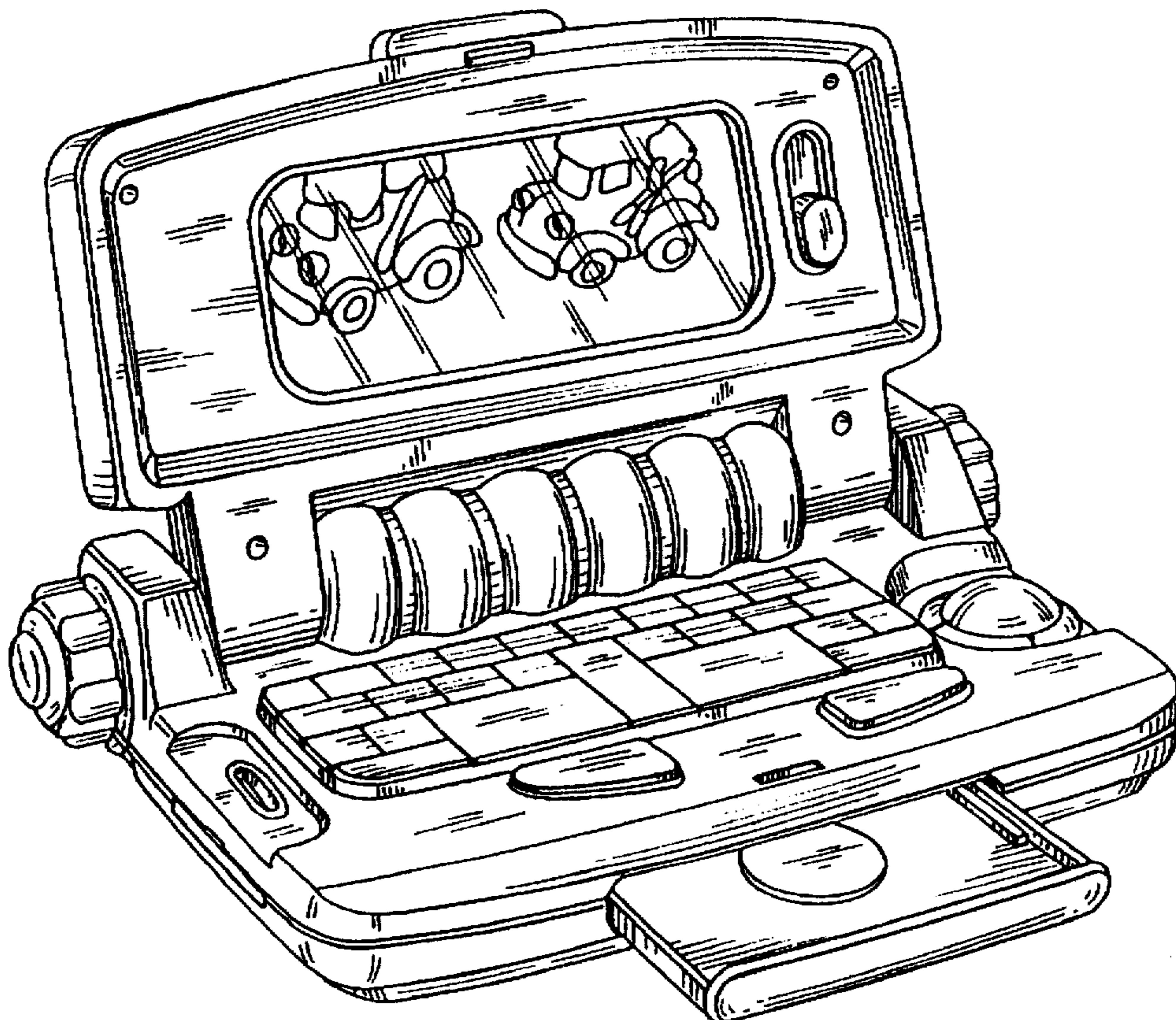
FIG. 9 is a right side elevational view thereof lined for surface contrast;

FIG. 10 is a right side elevational view thereof lined for surface contrast;

FIG. 11 is a top plan view of my new design in a position of use; and,

FIG. 12 is a top plan view thereof lined for surface contrast.

1 Claim, 6 Drawing Sheets



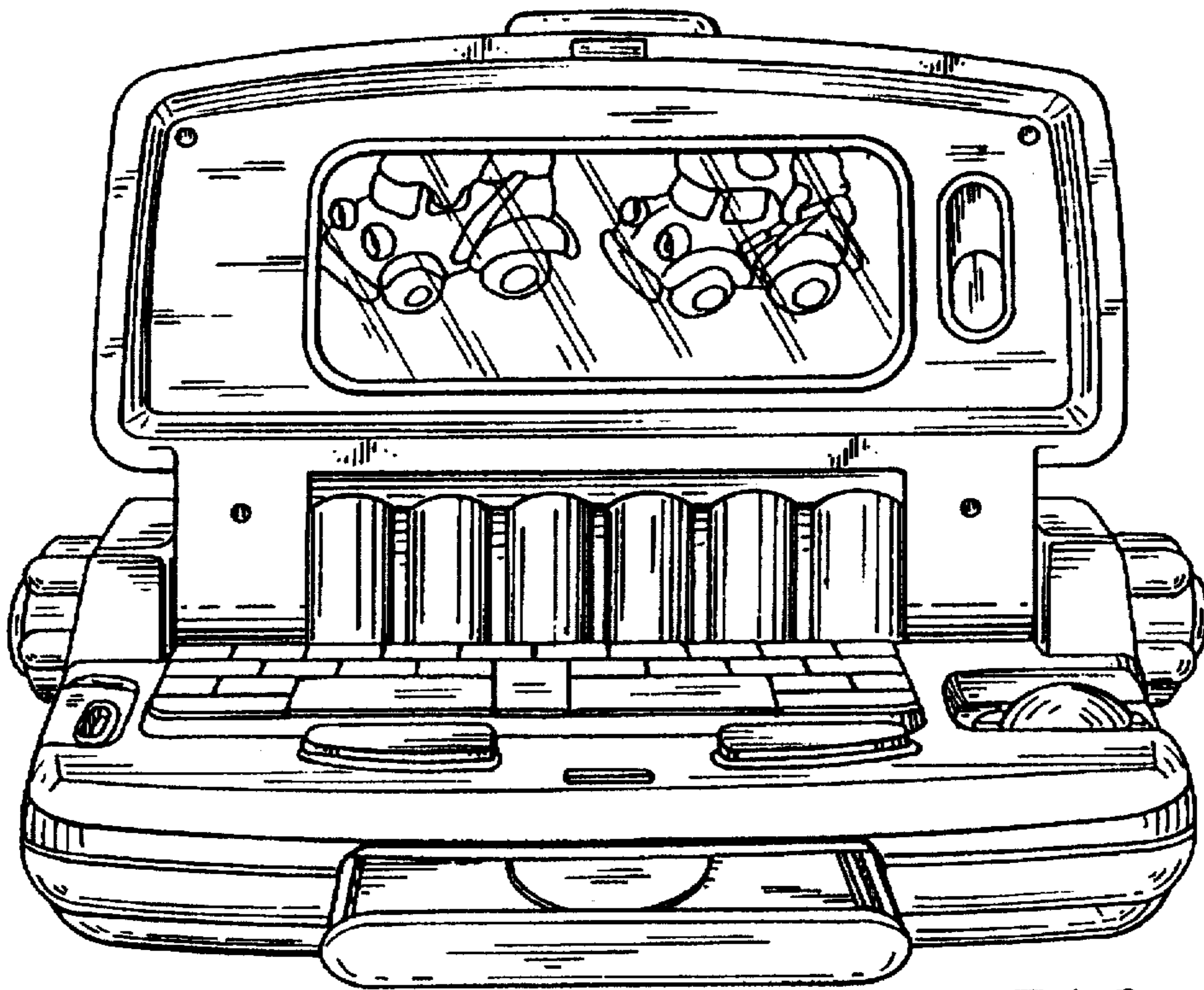


FIG. 1

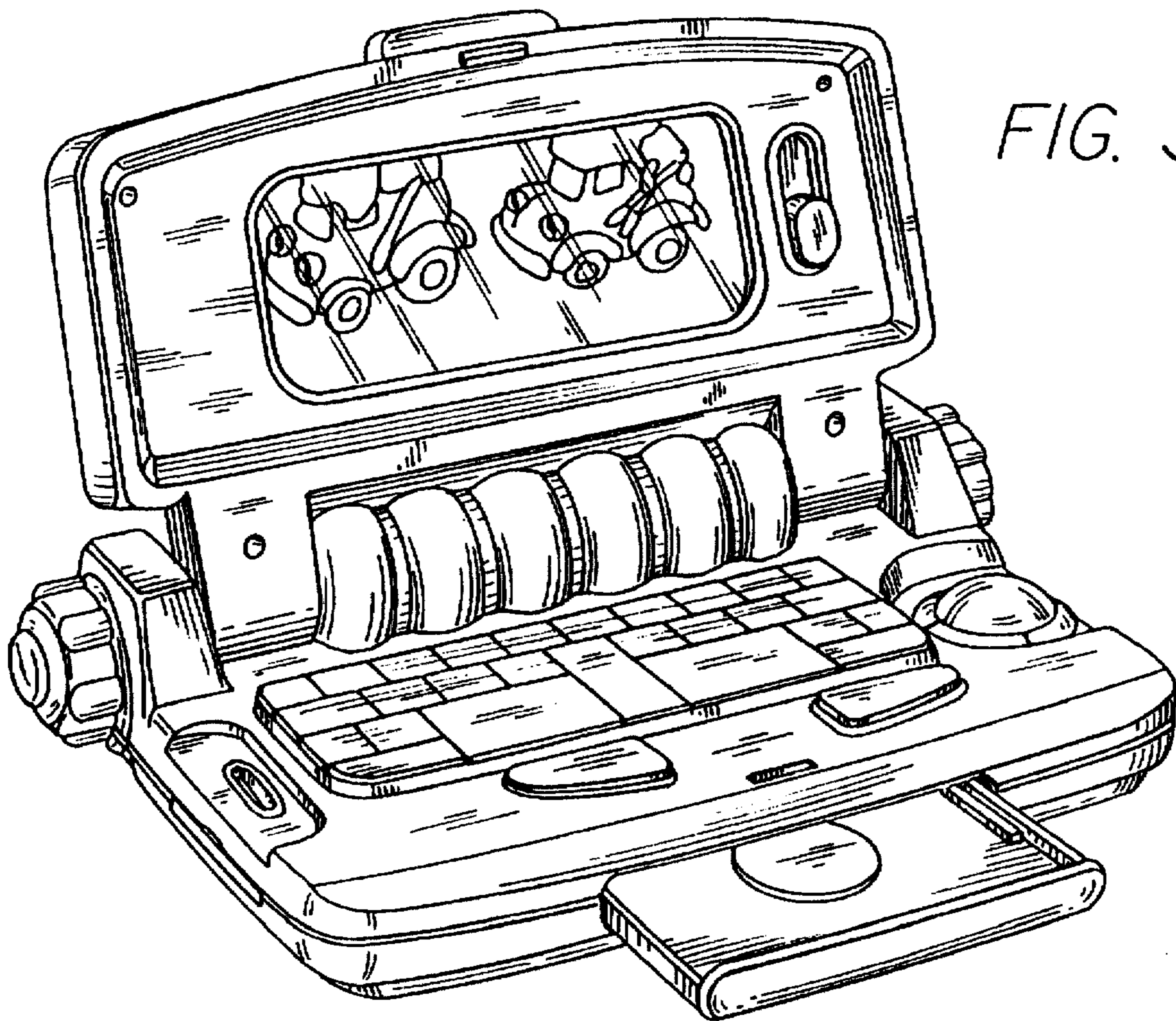


FIG. 3

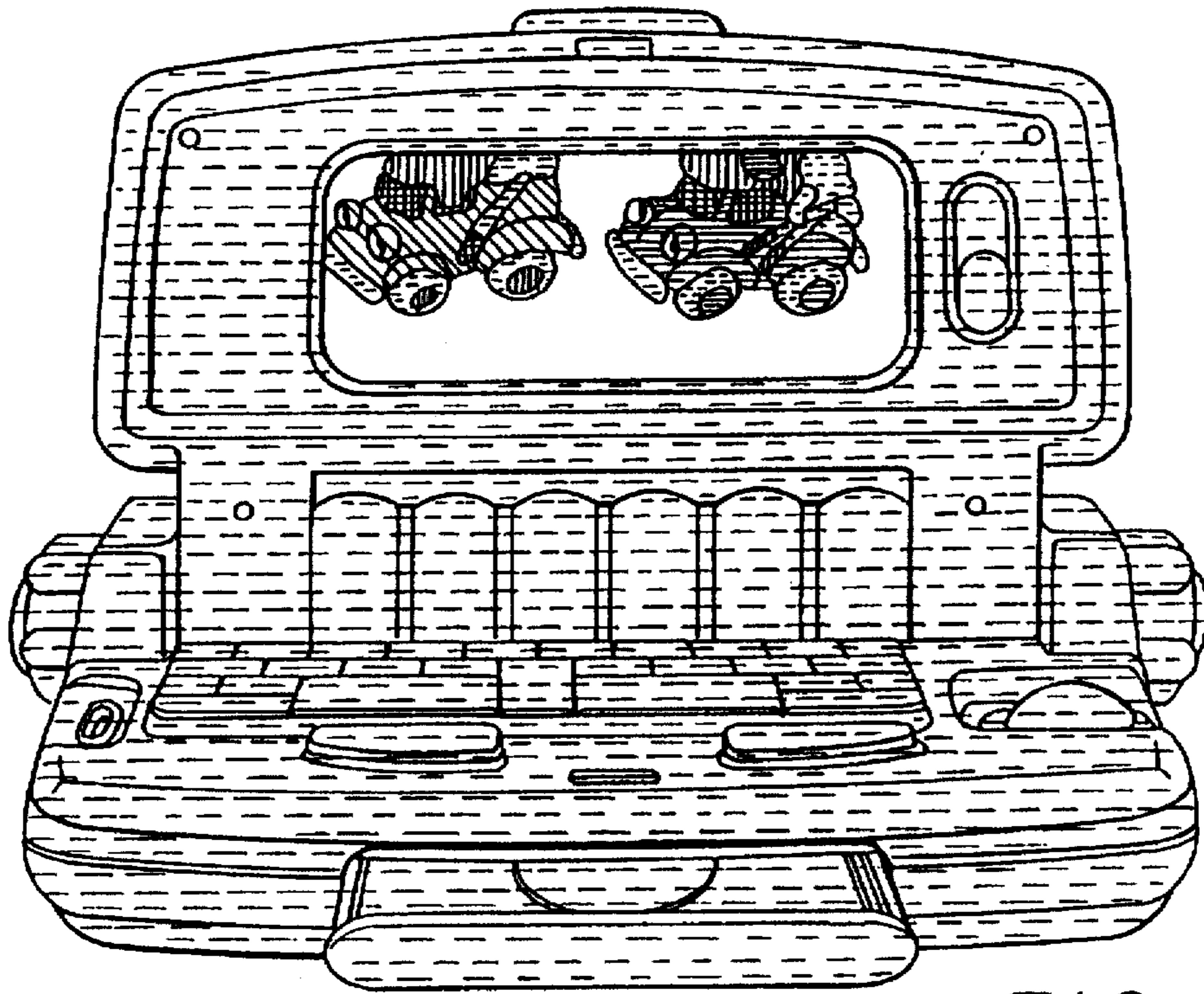


FIG. 2

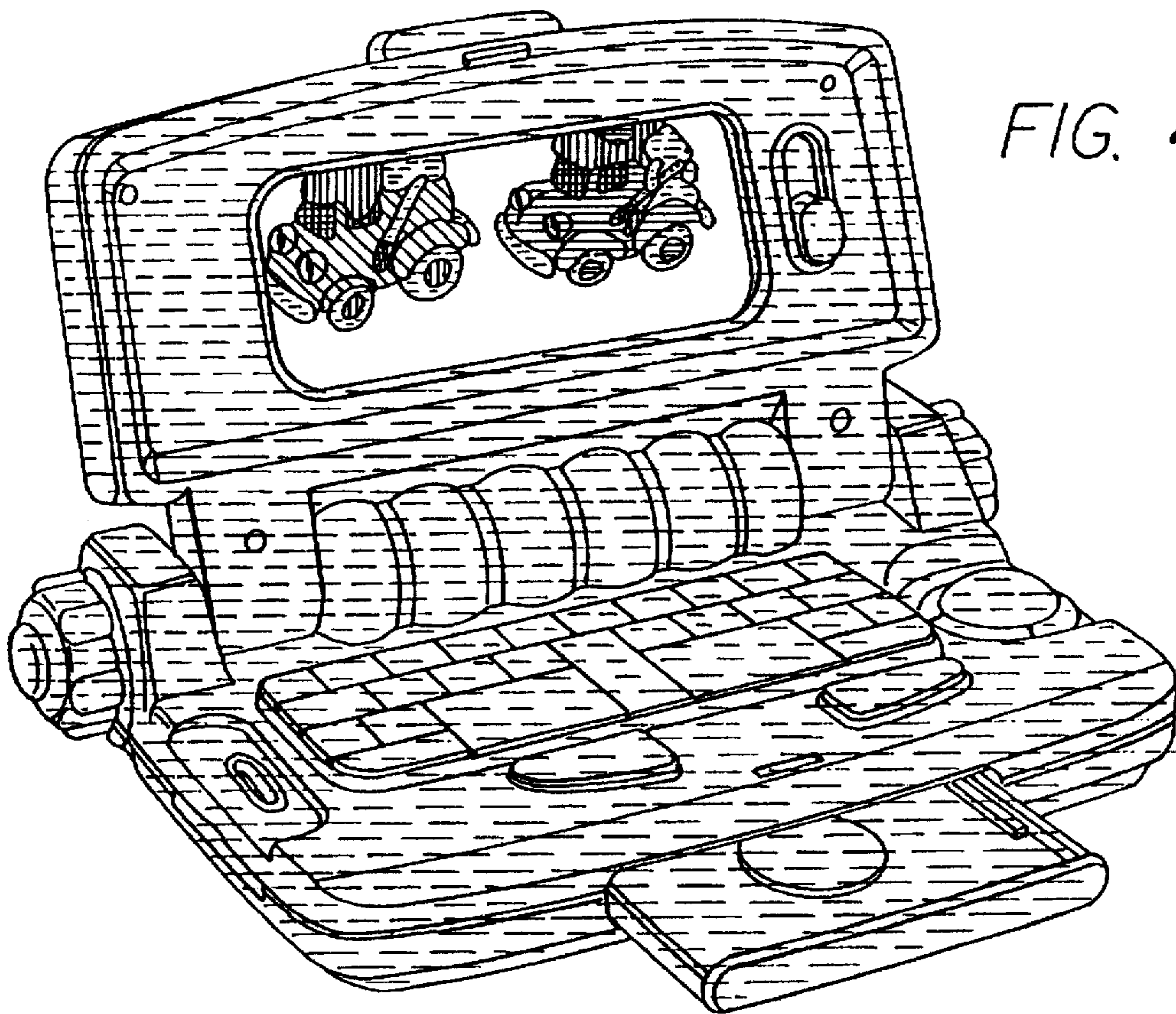


FIG. 4

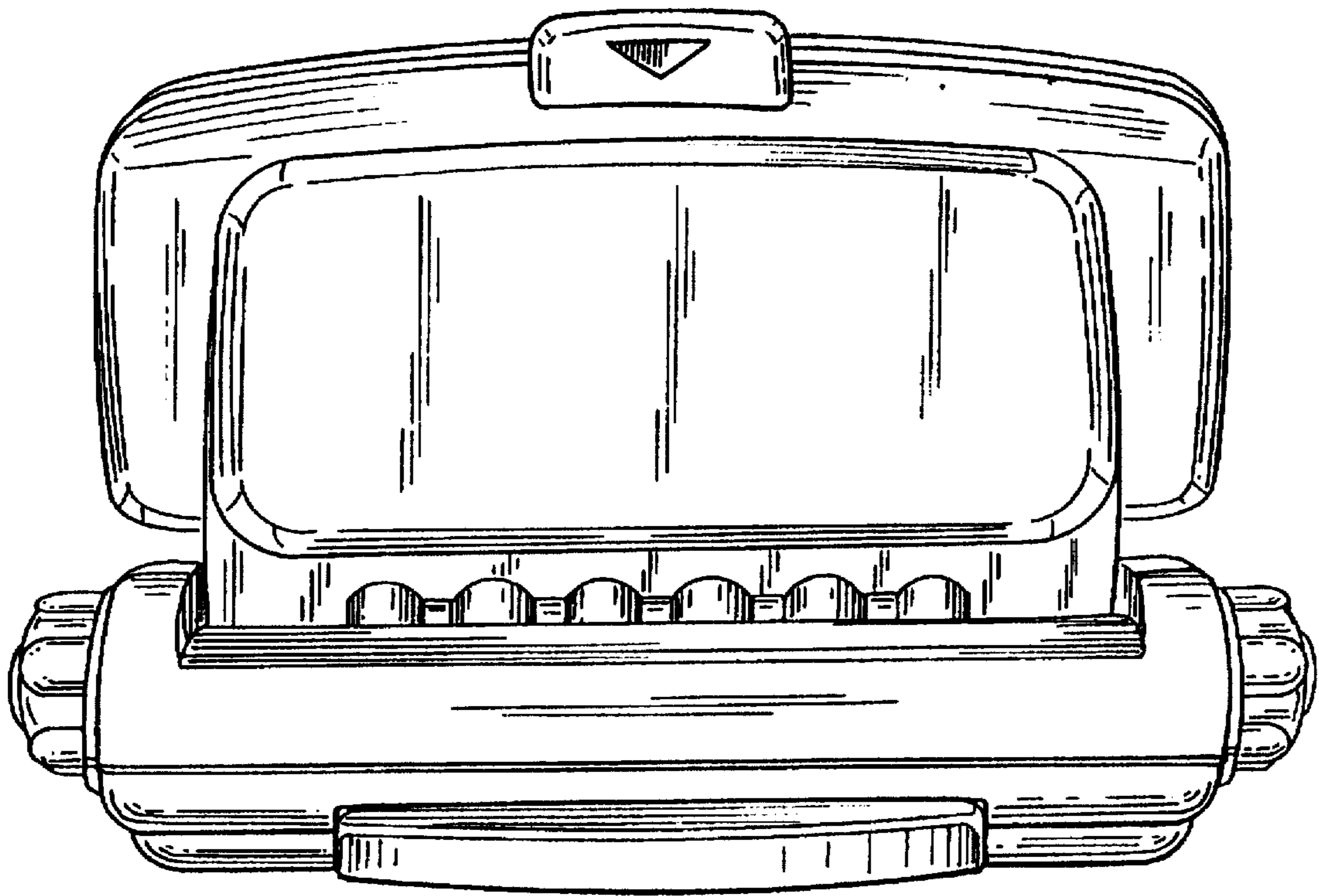


FIG. 5

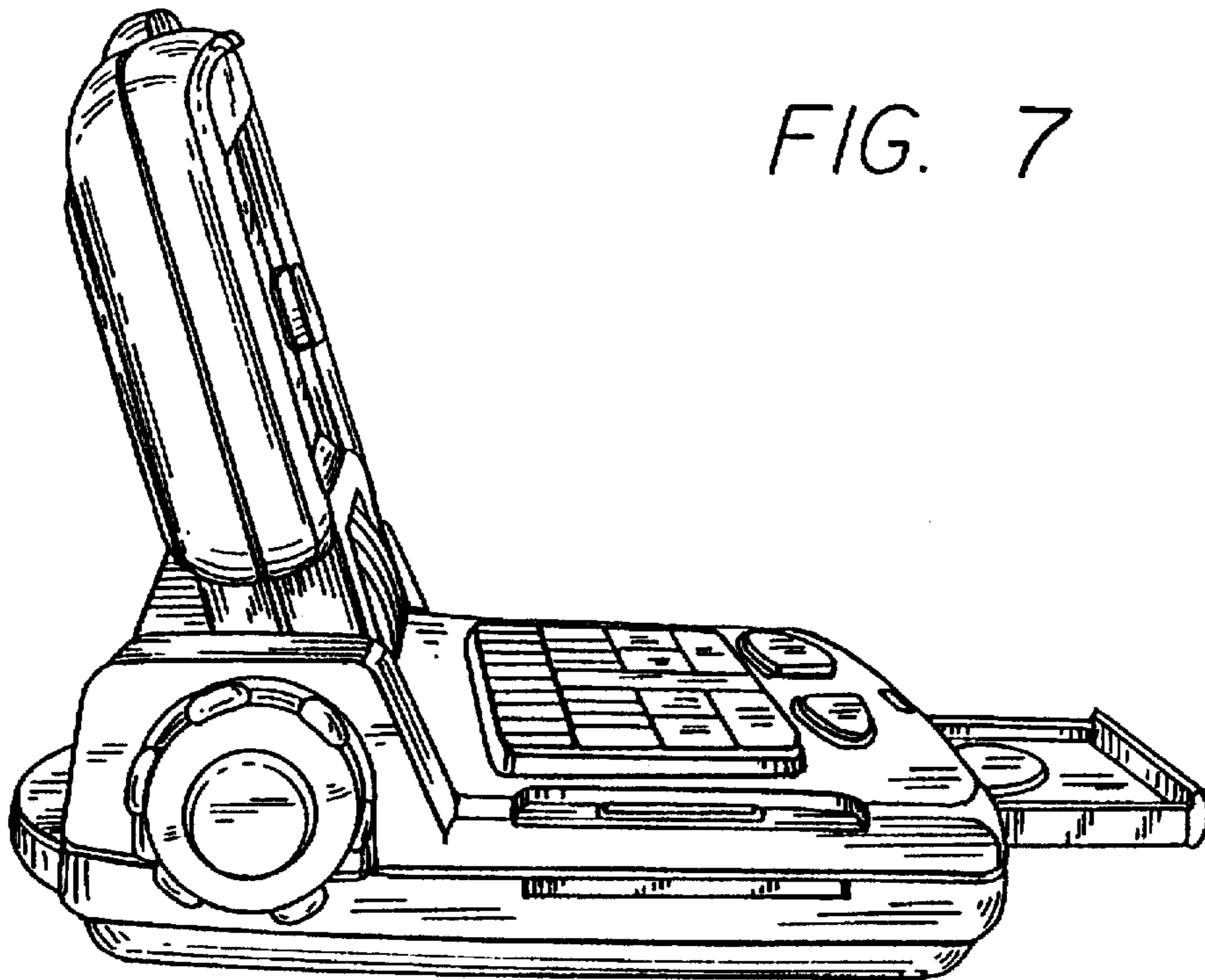


FIG. 7

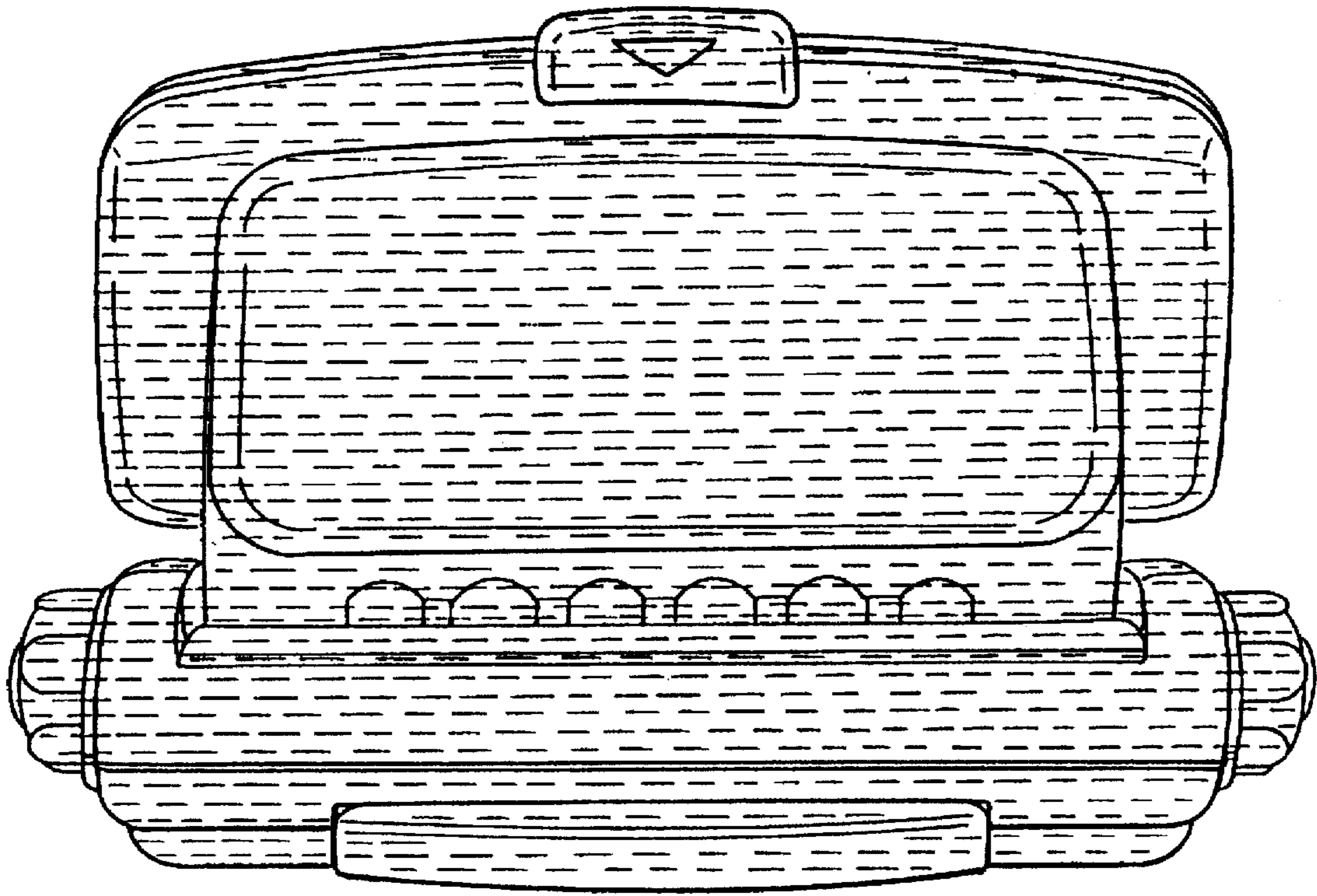


FIG. 6

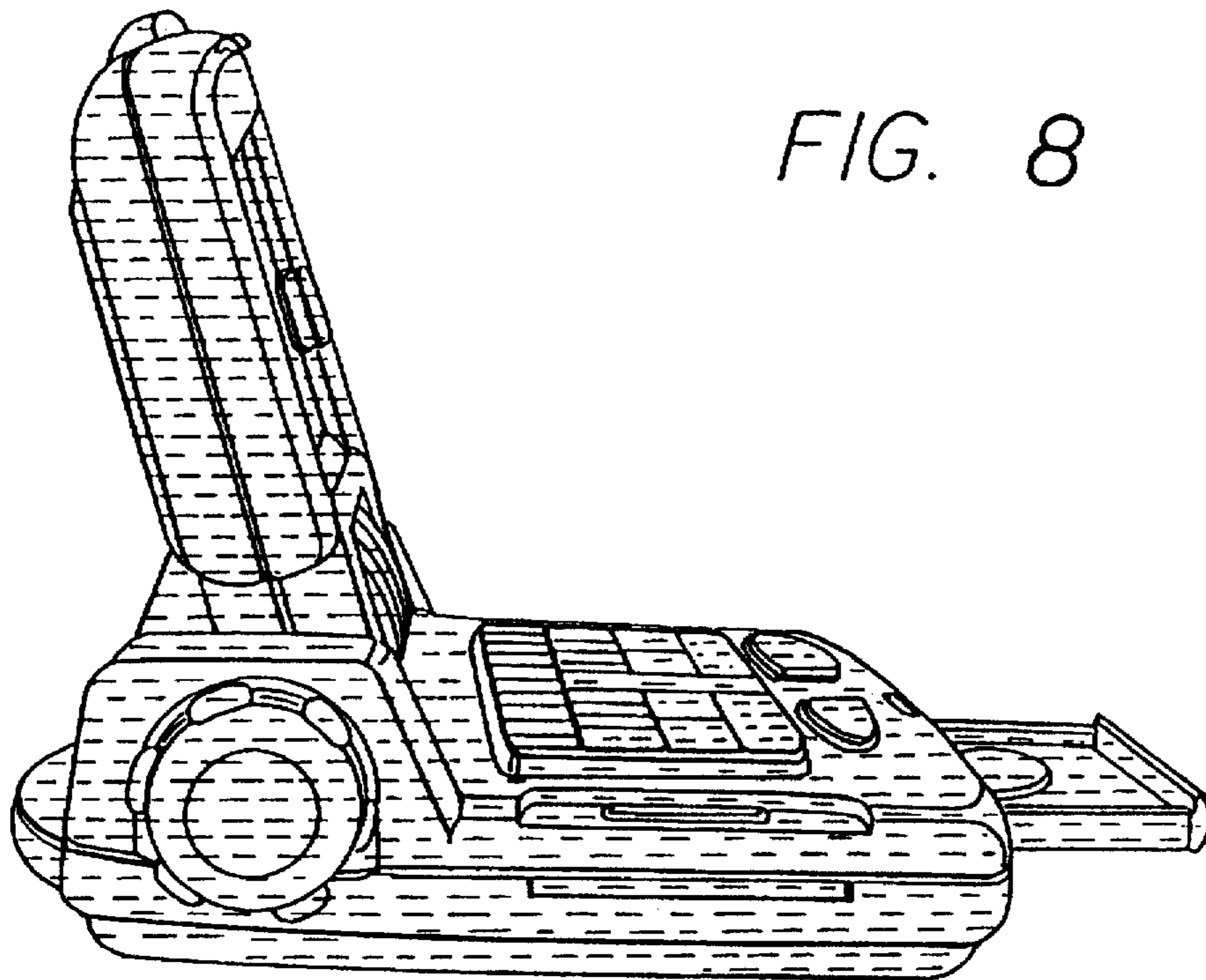


FIG. 8

FIG. 9

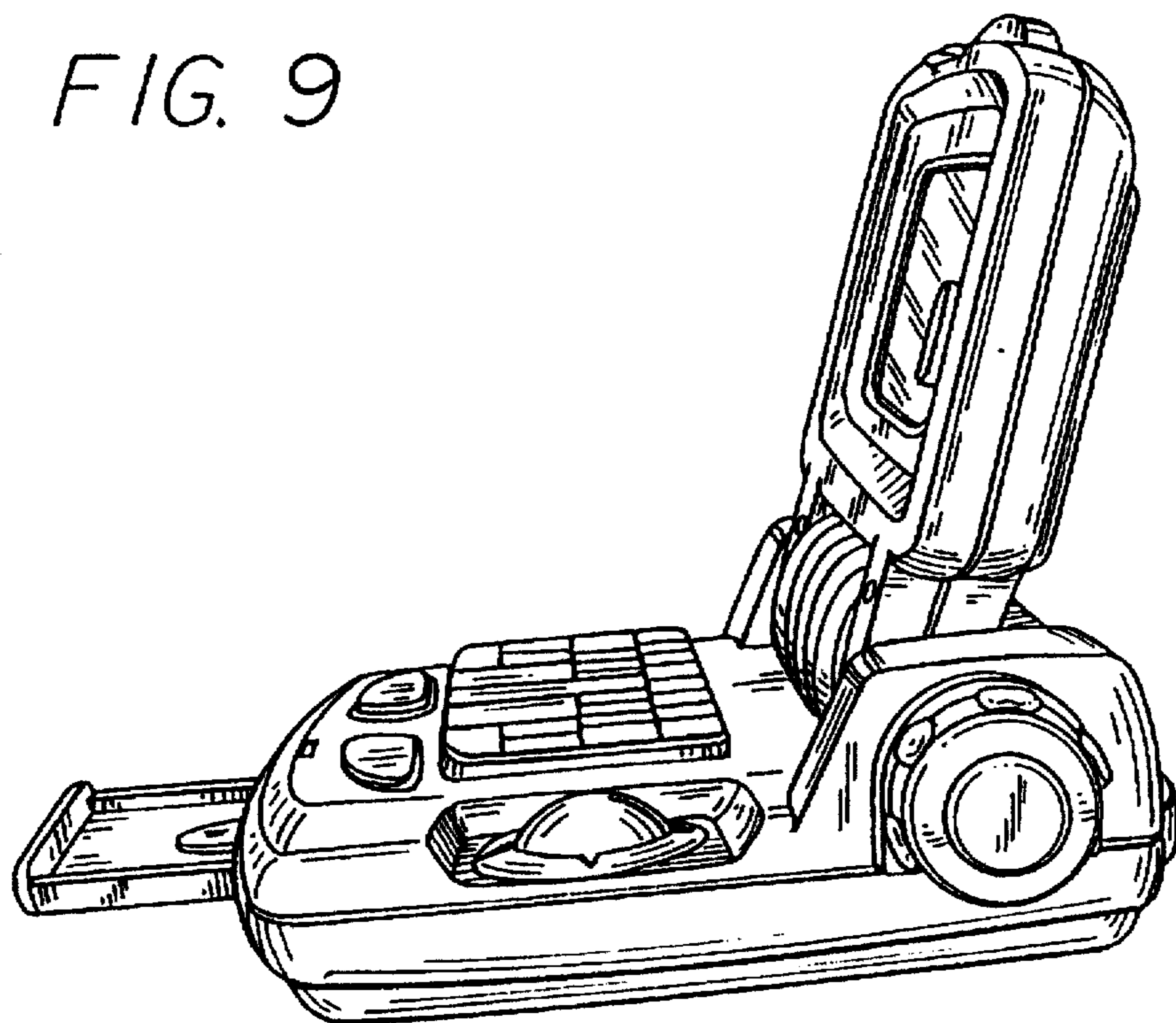


FIG. 11

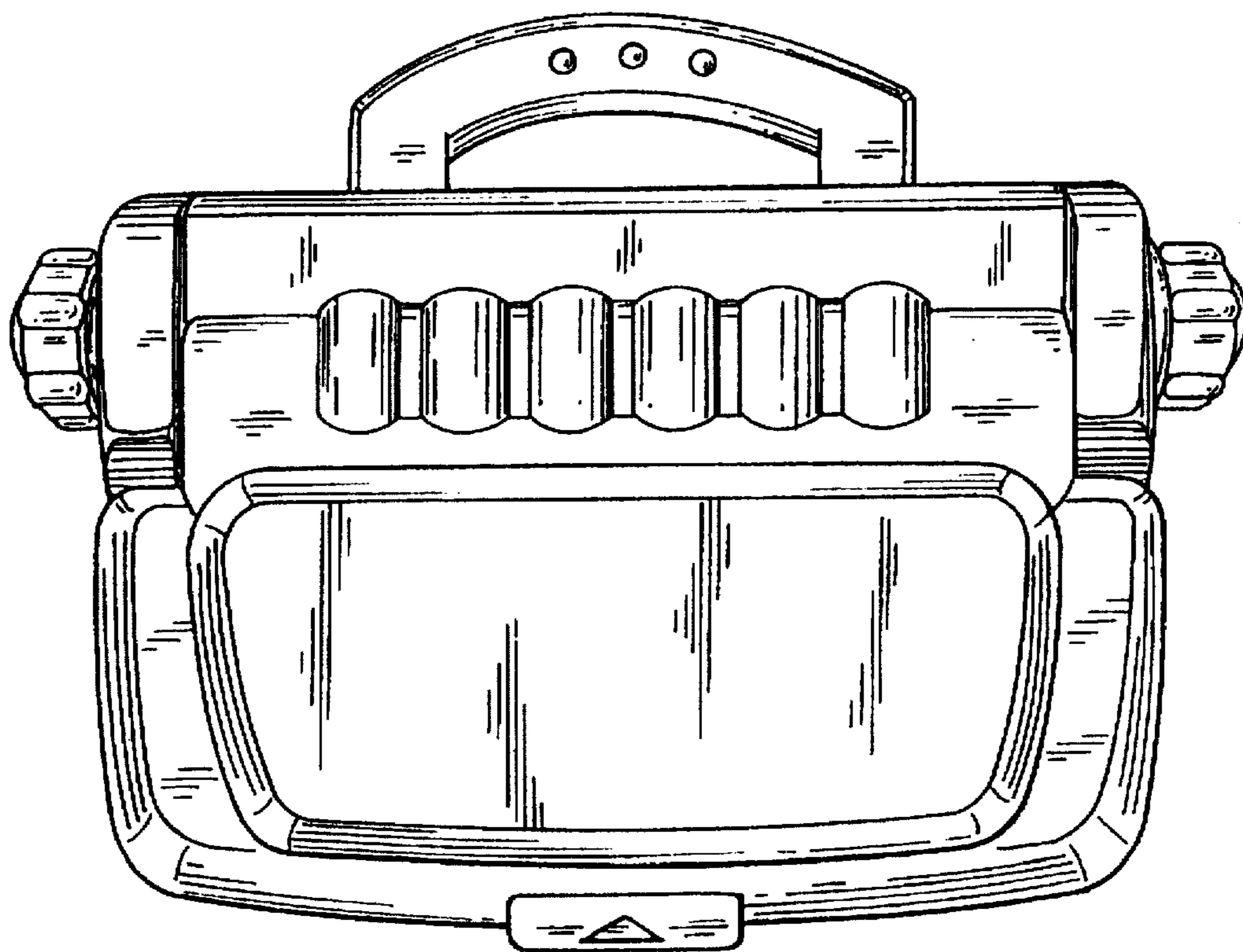


FIG. 10

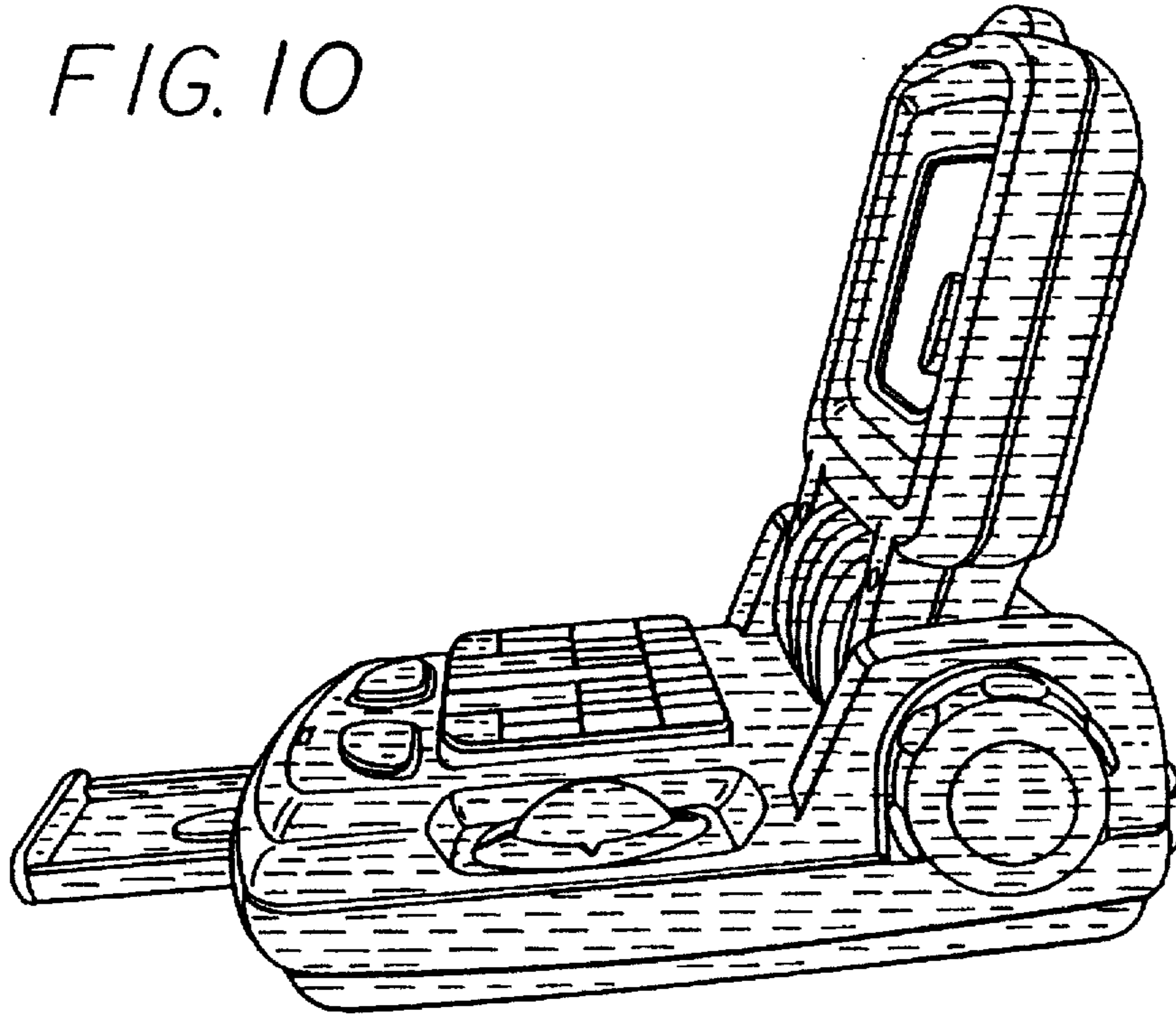


FIG. 12

