



US00D385586S

# United States Patent [19]

[11] Patent Number: **Des. 385,586**

Hanatani et al.

[45] Date of Patent: **\*\*Oct. 28, 1997**

[54] **OPTICAL BEAM GUN FOR A GAME MACHINE**

[75] Inventors: **Hiroshi Hanatani, Akashi; Hirofumi Fujimoto, Kobe, both of Japan**

[73] Assignee: **Konami Co., Ltd., Hyogo-ken, Japan**

[\*\*] Term: **14 Years**

[21] Appl. No.: **52,922**

[22] Filed: **Apr. 8, 1996**

[30] **Foreign Application Priority Data**

Oct. 12, 1995 [JP] Japan ..... 7-30722

[51] **LOC (6) Cl.** ..... **21-01**

[52] **U.S. Cl.** ..... **D21/48; D21/147**

[58] **Field of Search** ..... **D21/1, 48, 5-8, D21/147; 463/30-35, 46, 47, 50, 51, 52, 115; 273/148 B**

[56] **References Cited**

**U.S. PATENT DOCUMENTS**

- D. 305,252 12/1989 Nielson et al. .... D21/147
- D. 338,690 8/1993 Smith III et al. .... D21/13
- D. 346,837 5/1994 Sun ..... D21/147
- D. 347,027 5/1994 Phillips ..... D21/48

- 3,008,712 11/1961 Konopka ..... 463/50 X
- 3,151,248 9/1964 Glaster et al. .... 463/5 X
- 3,271,032 9/1966 Rabinowitz et al. .... 463/51
- 3,655,192 4/1972 Hall et al. .... 463/50 X
- 4,811,955 3/1989 De Bernardini ..... 463/51
- 5,351,969 10/1994 Smith III et al. .... 463/5

**OTHER PUBLICATIONS**

- Vending Times Dec. 1975, p. 62.
- Vending Times Apr. 1977, p. 48.

*Primary Examiner*—Prabhakar G. Deshmukh  
*Attorney, Agent, or Firm*—Jordan and Hamburg

[57] **CLAIM**

The ornamental design for an optical beam gun for a game machine, as shown and described.

**DESCRIPTION**

FIG. 1 is a perspective view of an optical beam gun for a game machine of our new design; FIG. 2 is a front view of the gun; FIG. 3 is a rear view of the gun; FIG. 4 is a left side view of the gun; FIG. 5 is a right side view of the gun; FIG. 6 is a top view of the gun; and, FIG. 7 is a bottom view of the gun.

**1 Claim, 6 Drawing Sheets**

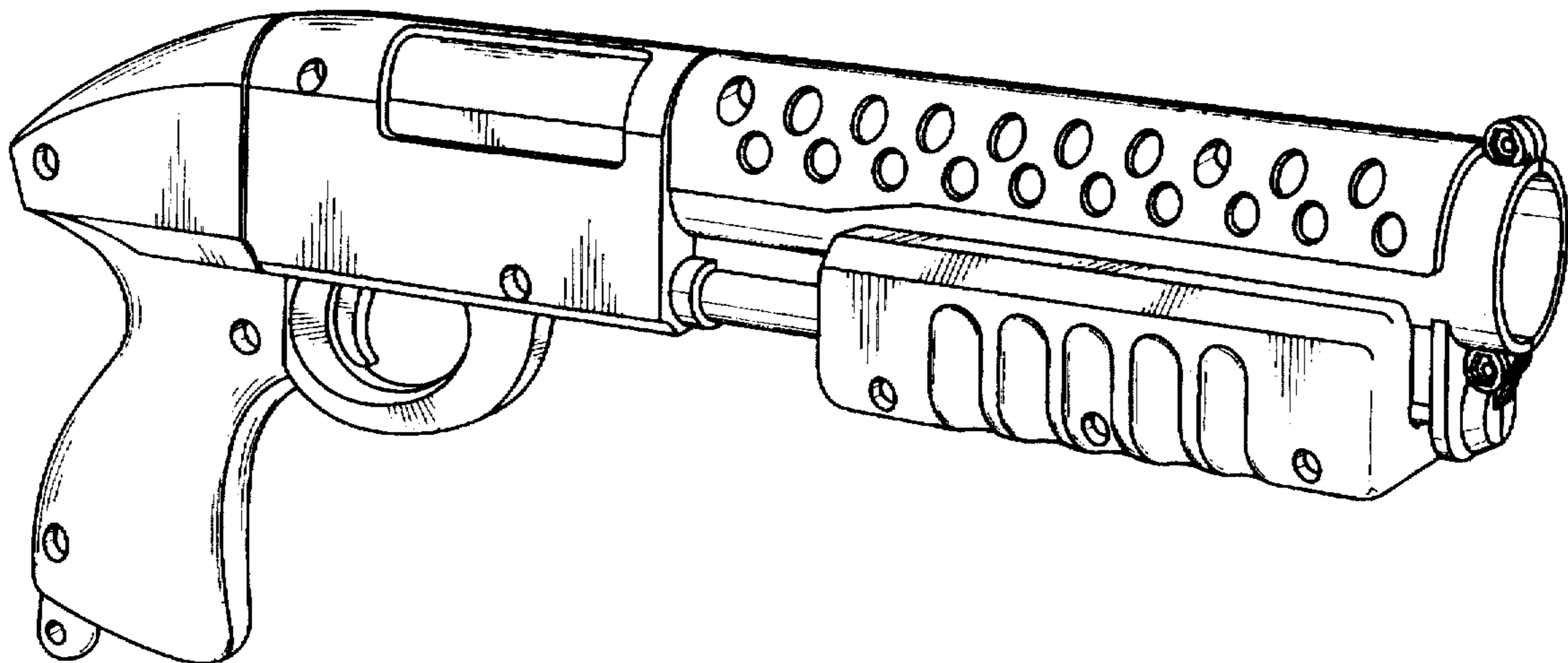


FIG. 1

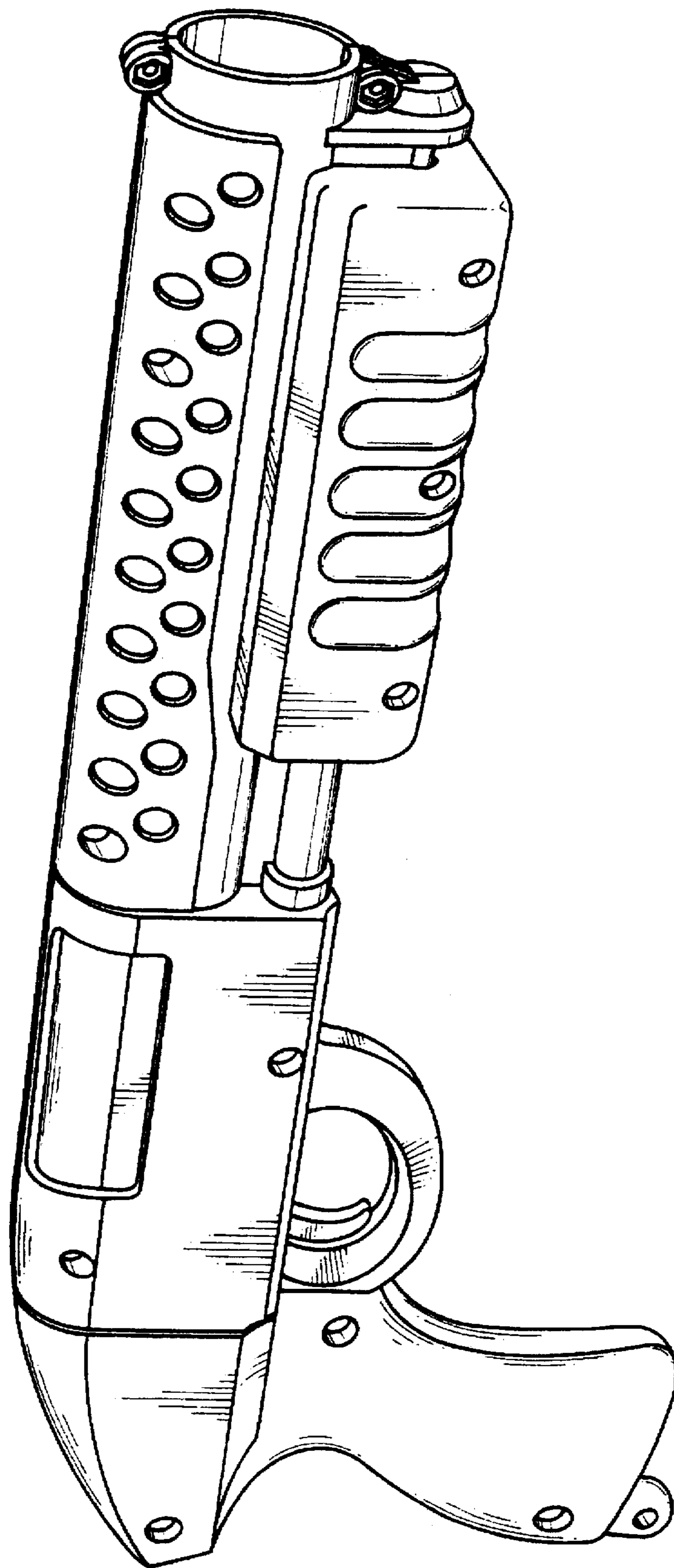


FIG. 2

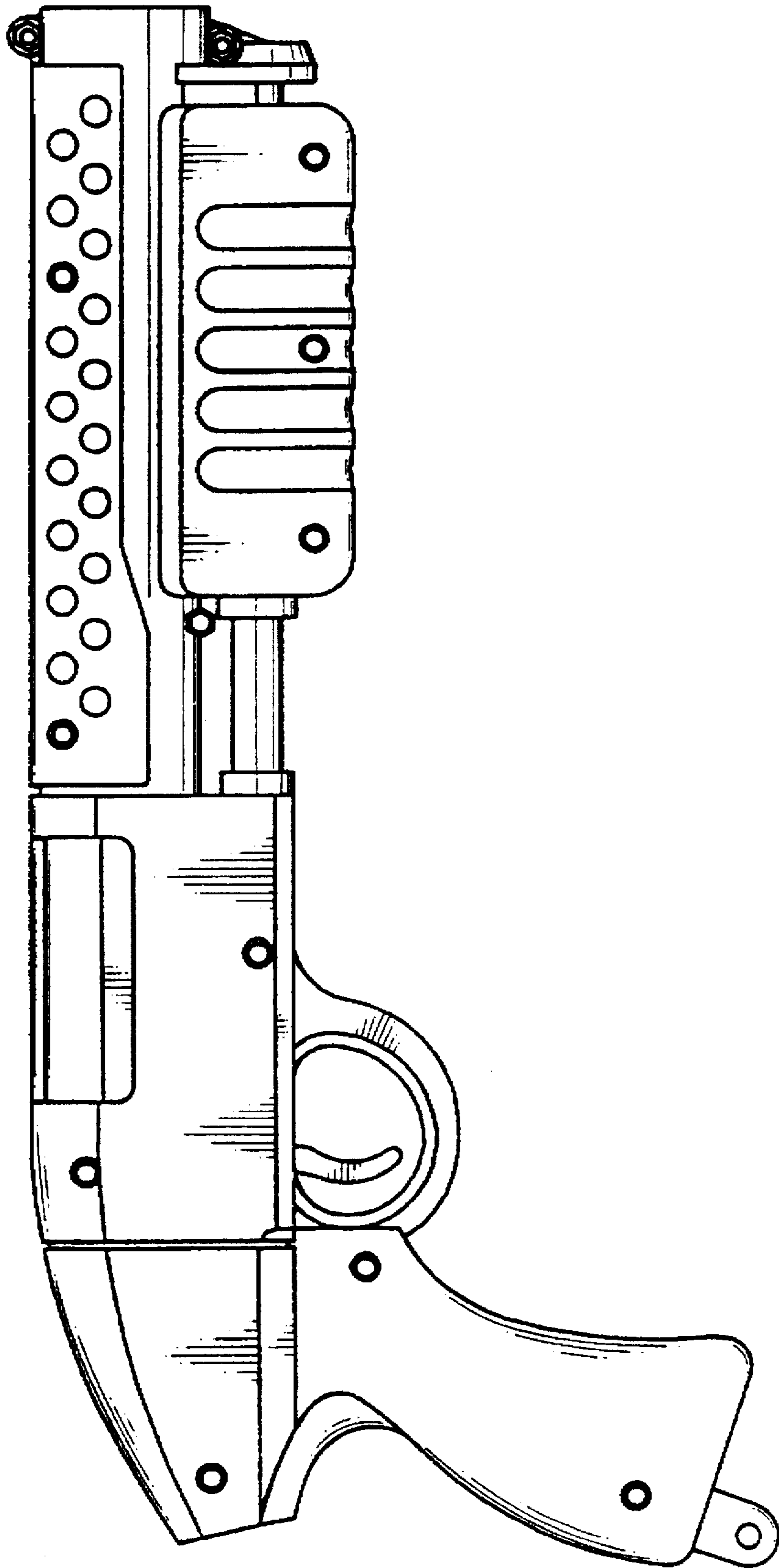


FIG. 3

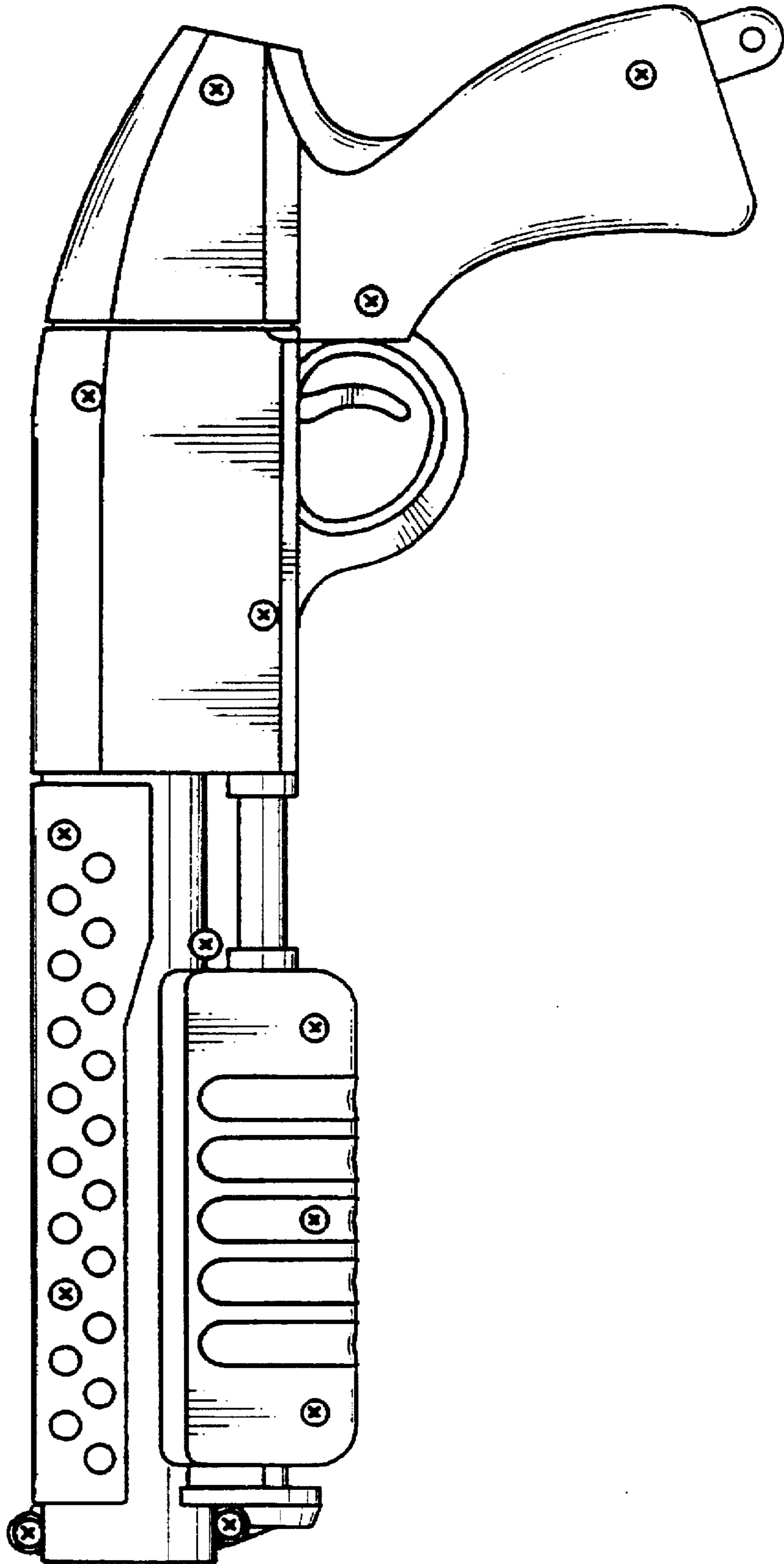


FIG. 5

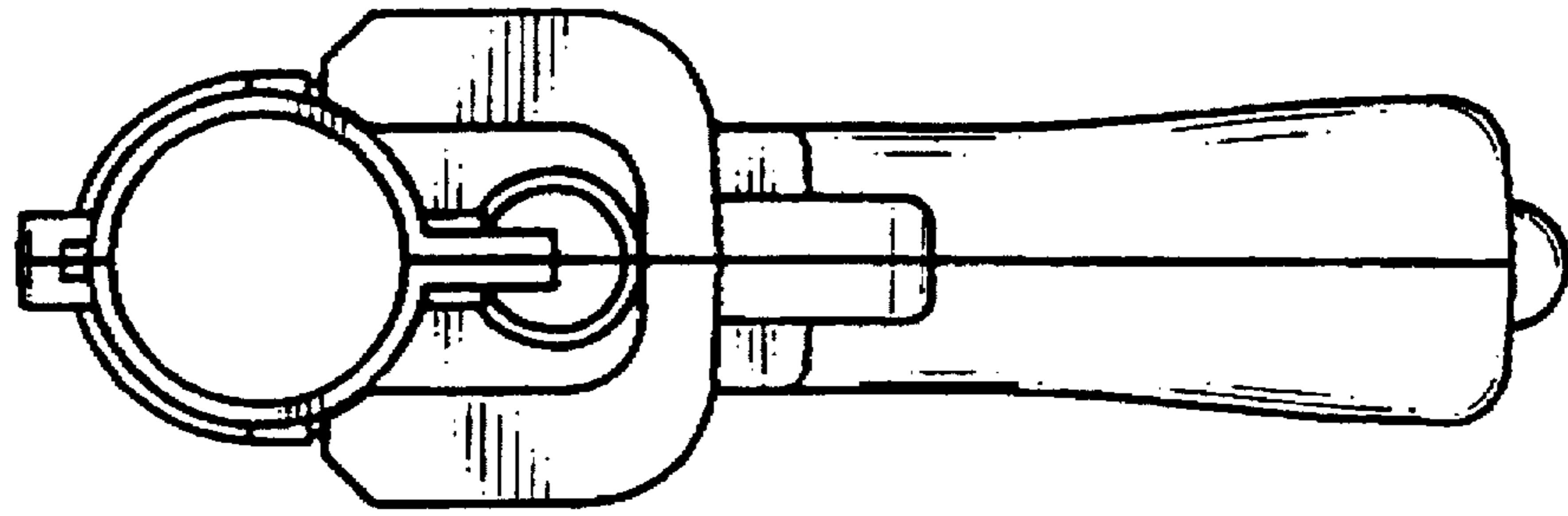


FIG. 4

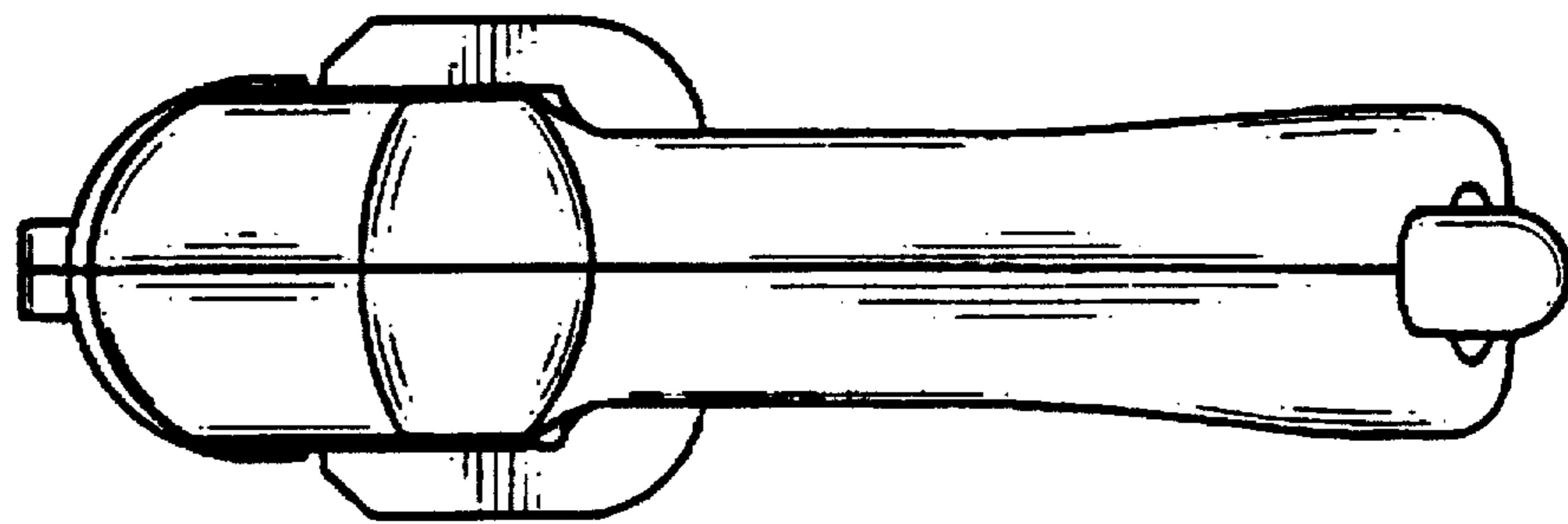




FIG. 6

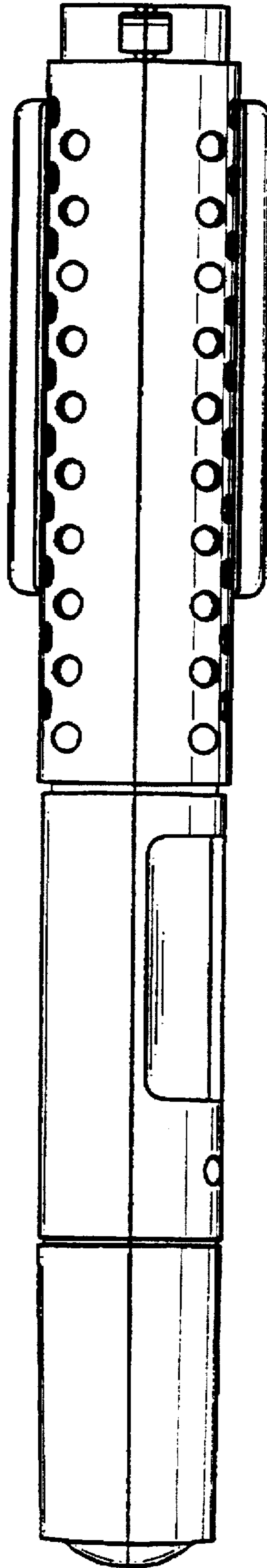


FIG. 7

