



US00D385584S

# United States Patent [19]

[11] Patent Number: **Des. 385,584**

Chaffee et al.

[45] Date of Patent: **\*\*Oct. 28, 1997**

[54] **TOTAL ECLIPSE GAME**

[75] Inventors: **Gerald F. Chaffee; Victor Dimichina,**  
both of S. Daytona; **Gary L. Wright,**  
Ormond Beach, all of Fla.

[73] Assignee: **Bob's Space Racers, Inc.,** Daytona  
Beach, Fla.

[\*\*] Term: **14 Years**

[21] Appl. No.: **59,922**

[22] Filed: **Sep. 18, 1996**

[51] LOC (6) Cl. .... **21-01**

[52] U.S. Cl. .... **D21/13; D21/11**

[58] Field of Search ..... **D21/1, 13, 48;**  
**273/454-457, 459, 461, 448, 447; 463/1,**  
**7, 49, 30-35**

[56] **References Cited**

**U.S. PATENT DOCUMENTS**

D. 366,304	1/1996	Lewis .....	D21/240
4,039,184	8/1977	Breslow et al. .	
4,084,194	4/1978	Hector .....	463/46 X
4,177,986	12/1979	Campbell .....	273/457 X
4,272,075	6/1981	Rogers, Jr. .	
4,432,544	2/1984	Wakimura .	

4,638,997	1/1987	Clark .	
5,072,936	12/1991	Warchime .	
5,082,274	1/1992	Bright .	
5,193,819	3/1993	Chen .	
5,209,486	5/1993	Brotz .	
5,271,628	12/1993	Okada .....	273/448
5,282,636	2/1994	Wyman et al. ....	273/457
5,344,199	9/1994	Carstens et al. ....	463/46 X
5,549,372	8/1996	Lewis .....	273/448 X

*Primary Examiner*—Prabhakar Deshmukh  
*Attorney, Agent, or Firm*—James E. Larson; Larson & Larson, P.A.

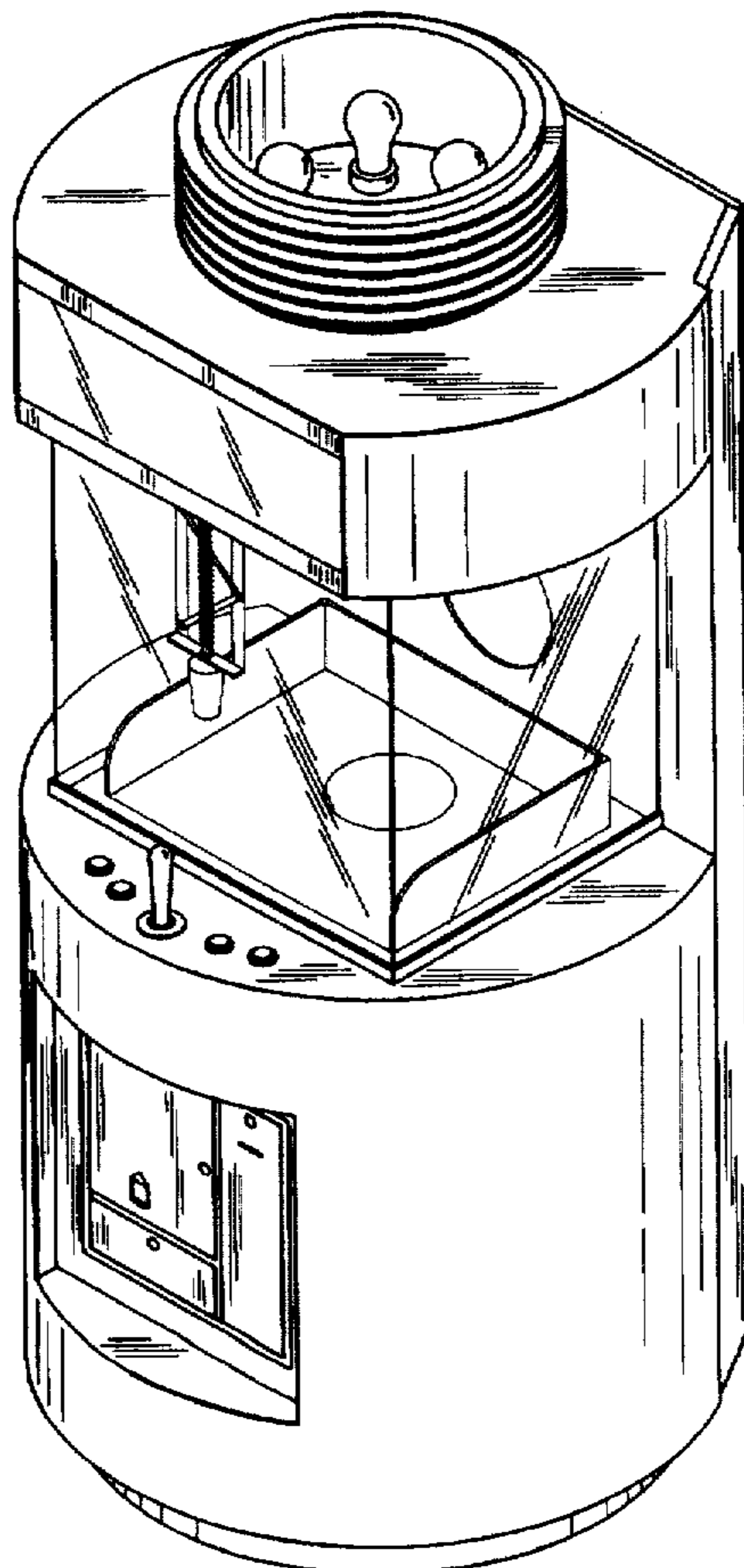
[57] **CLAIM**

The ornamental design for a total eclipse game, as shown and described.

**DESCRIPTION**

FIG. 1 is a perspective view of our total eclipse game showing our new design;  
FIG. 2 is a front view thereof;  
FIG. 3 is a rear view thereof;  
FIG. 4 is a left side elevational view thereof;  
FIG. 5 is a right side elevational view thereof;  
FIG. 6 is a top plan view thereof; and,  
FIG. 7 is a bottom plan view thereof.

**1 Claim, 6 Drawing Sheets**



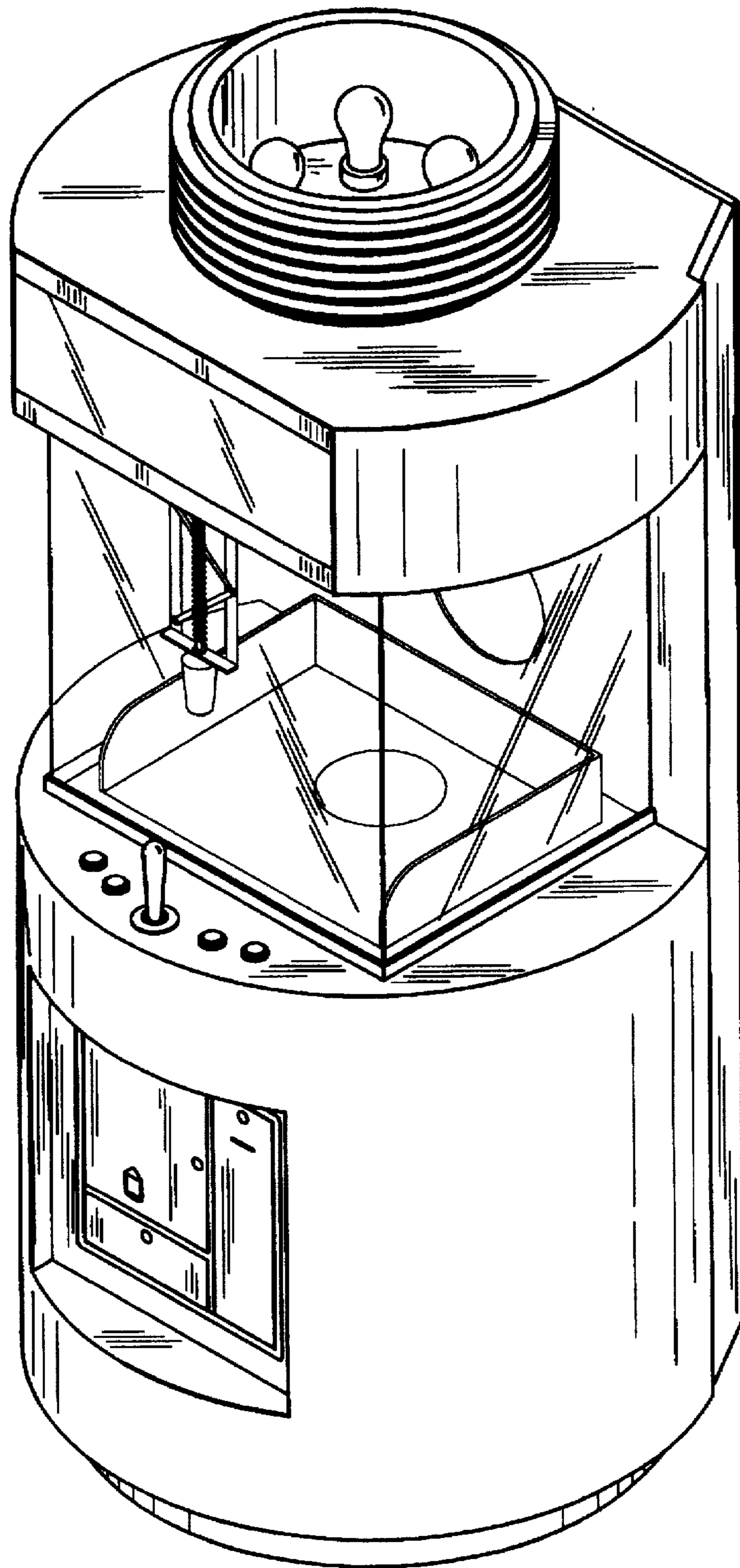


Fig. 1

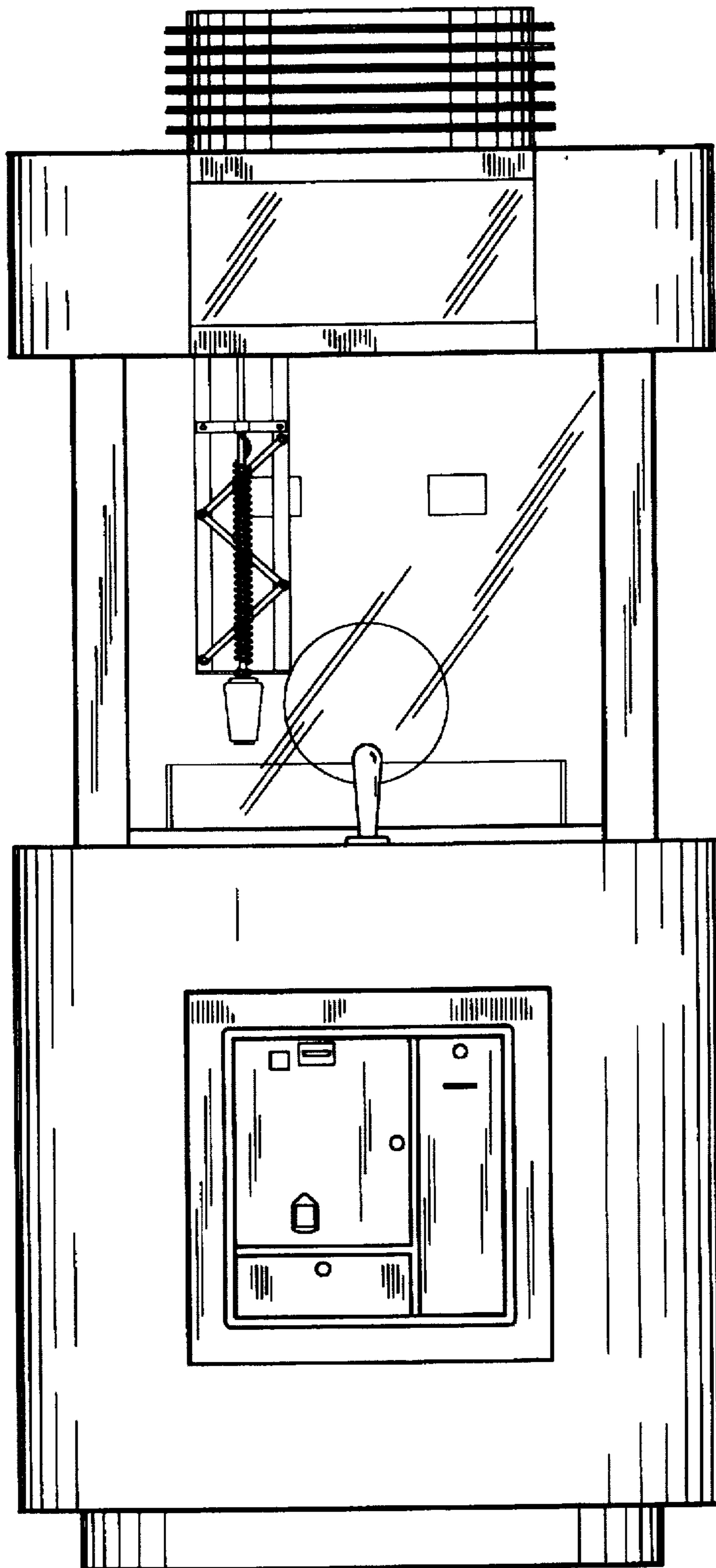


Fig. 2

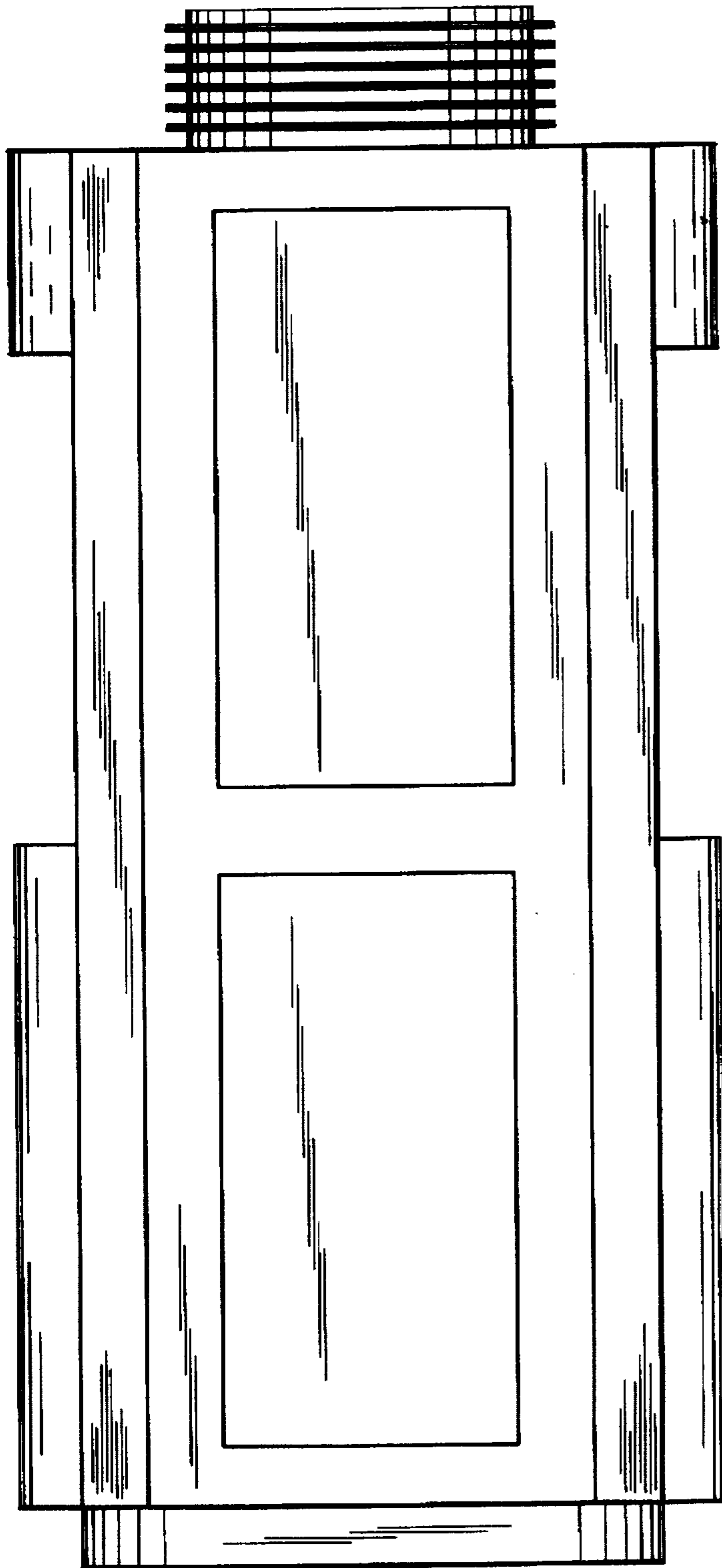


Fig. 3

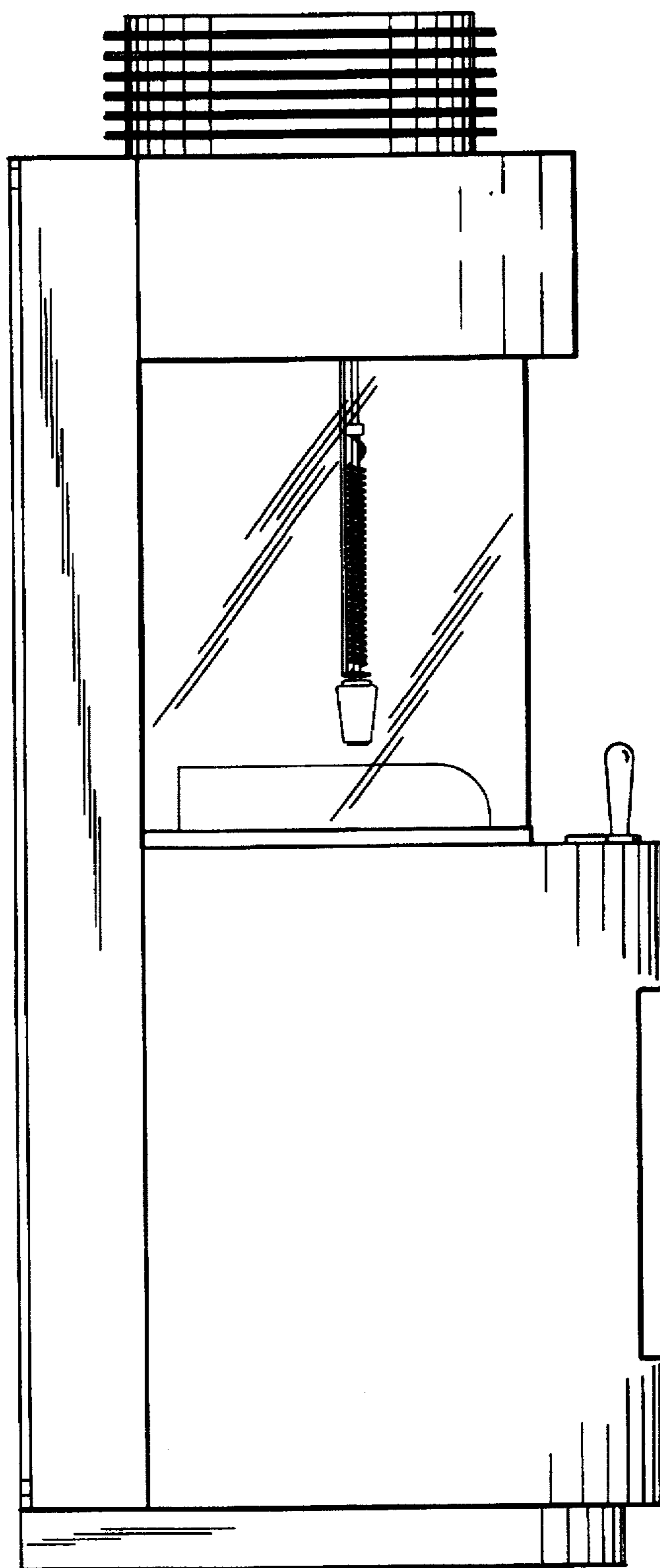


Fig. 4

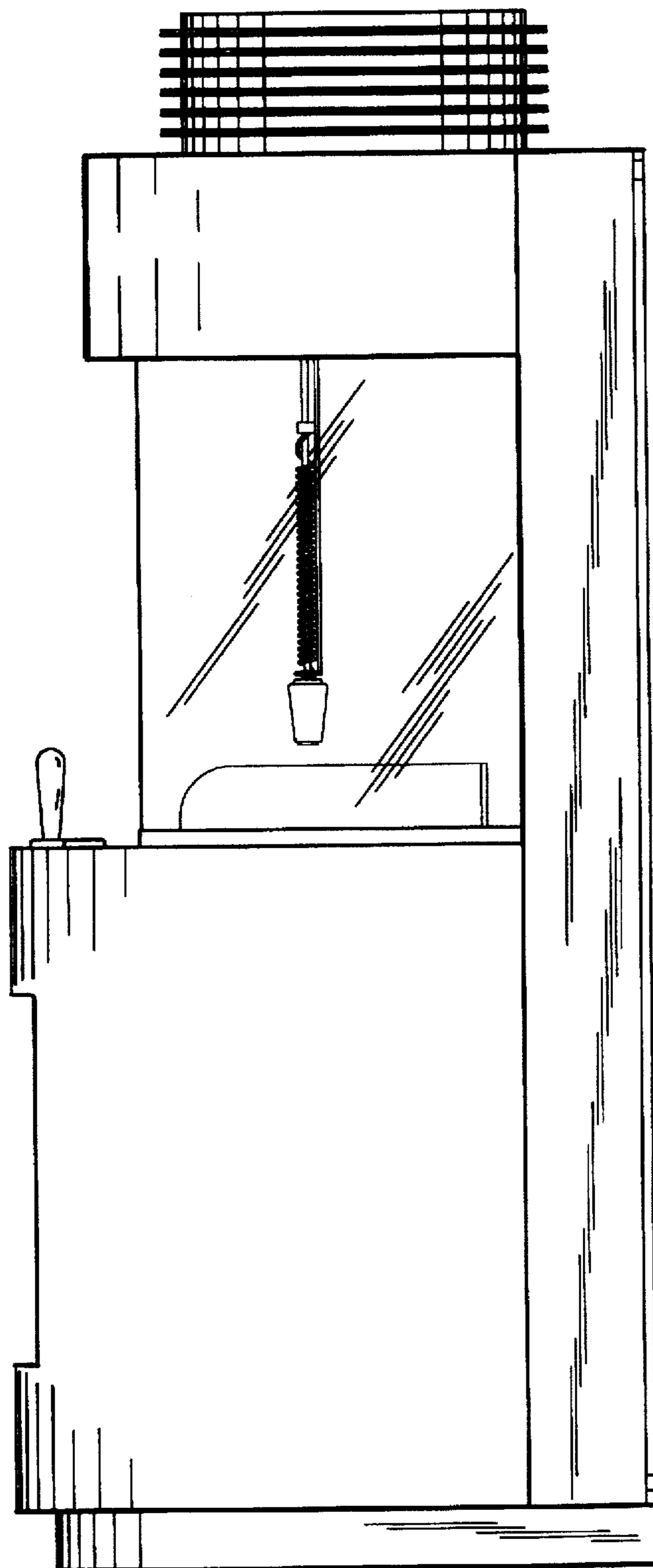


Fig. 5

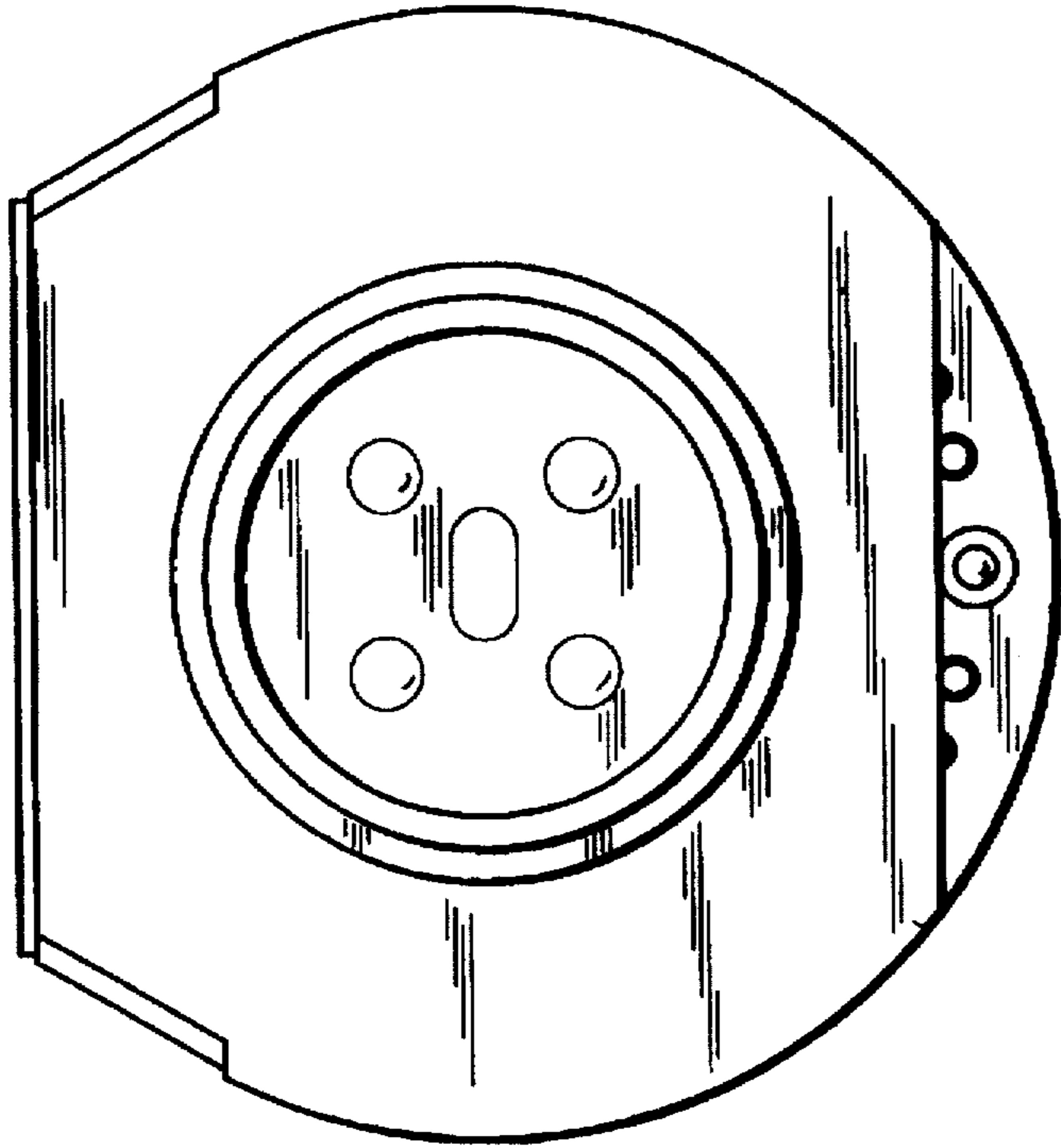


Fig. 6

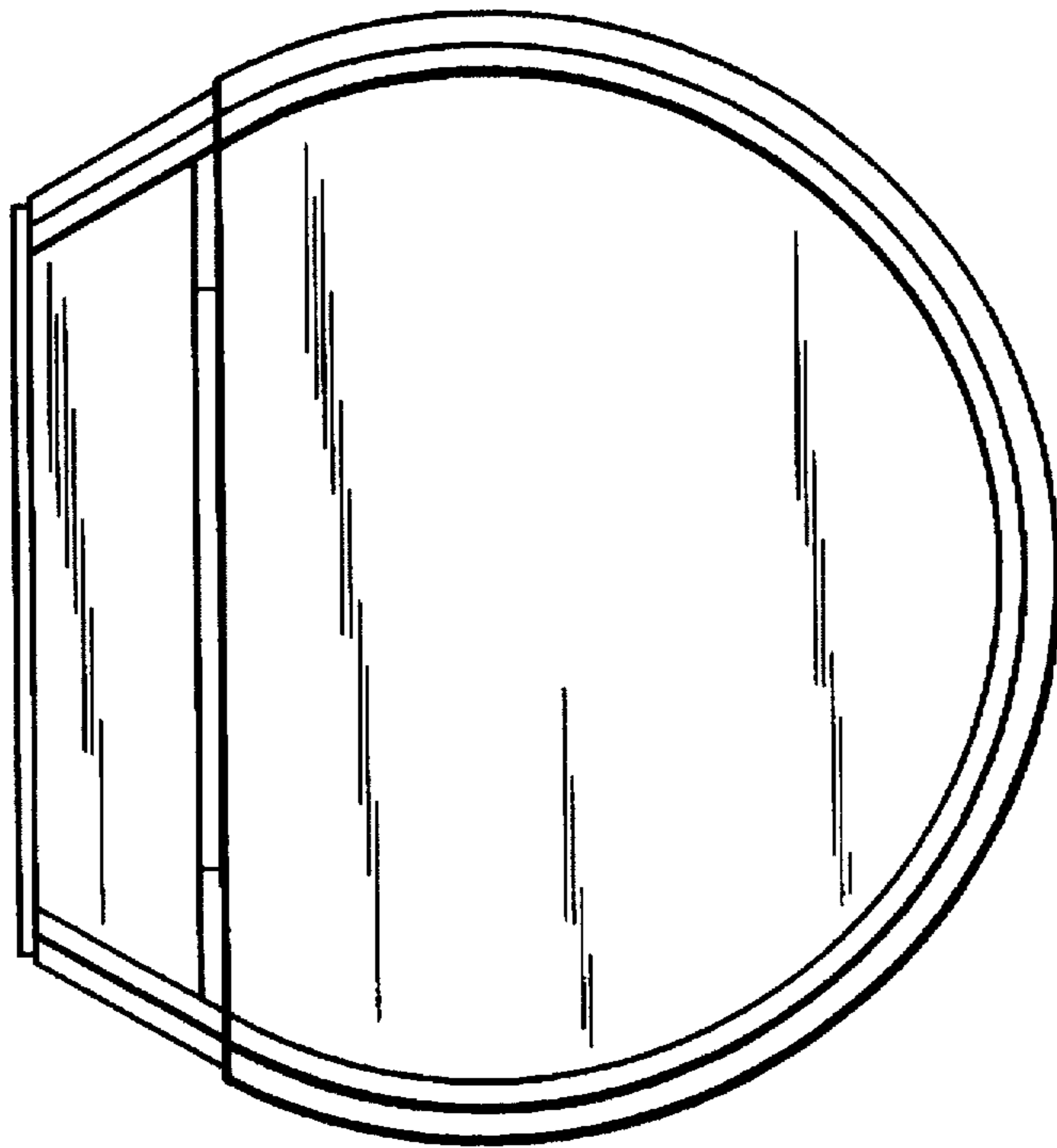


Fig. 7