

US00D385582S

United States Patent [19]
McCracken

[11] **Patent Number:** **Des. 385,582**
[45] **Date of Patent:** ****Oct. 28, 1997**

[54] **FUEL PERMIT DISPLAY PANEL**
[76] **Inventor:** **Russell Dan McCracken**, Lot 27,
Conc. 11, Hay Township, Ontario,
Canada, N0M 2T0

D. 245,066 7/1977 Taub D20/44
D. 296,707 7/1988 Vea D20/44
D. 319,886 9/1991 Simpson et al. .
1,464,970 8/1923 Brown 40/591
1,473,583 11/1923 Lohn, Jr. 40/591

[**] **Term:** **14 Years**

Primary Examiner—Susan J. Lucas
Assistant Examiner—Jennifer A. Register

[21] **Appl. No.:** **54,984**

[57] **CLAIM**

[22] **Filed:** **May 28, 1996**

The ornamental design for a fuel permit display panel, as shown and described.

[30] **Foreign Application Priority Data**

Apr. 26, 1996 [CA] Canada 1996-0996

DESCRIPTION

[51] **LOC (6) Cl.** **20-02**
[52] **U.S. Cl.** **D20/42; D20/43**
[58] **Field of Search** D20/42, 43, 10,
D20/13, 44, 99; 40/651, 642.02, 588, 591,
647, 644, 646, 643, 666, 658; D12/95

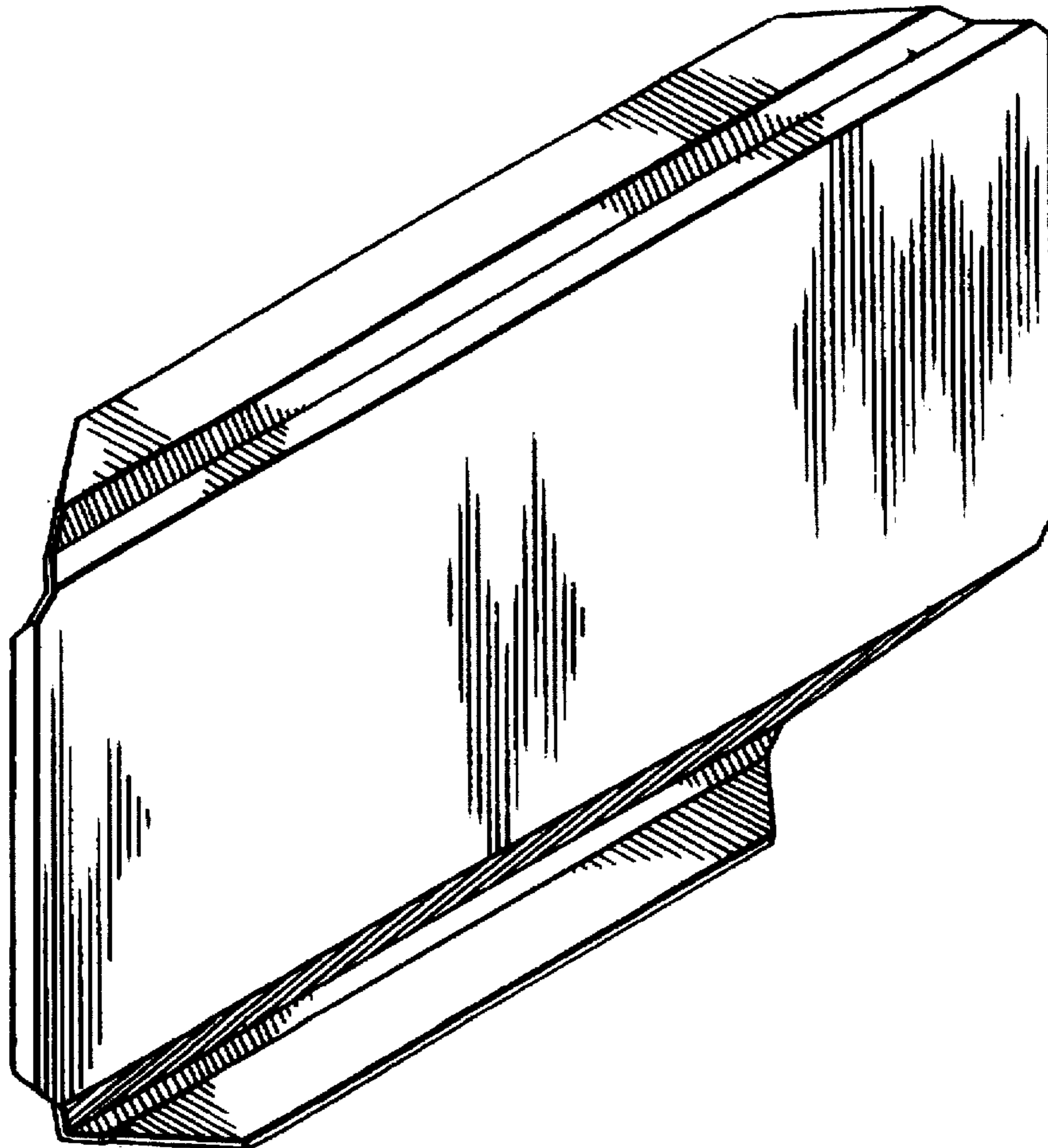
FIG. 1 is a perspective view;
FIGS. 2 and 3 are respective side elevational views;
FIG. 4 is a front elevational view;
FIG. 5 is a rear elevational view;
FIG. 6 is a top plan view; and,
FIG. 7 is a bottom plan view.

[56] **References Cited**

U.S. PATENT DOCUMENTS

D. 205,824 9/1966 Fisher D20/40

1 Claim, 2 Drawing Sheets



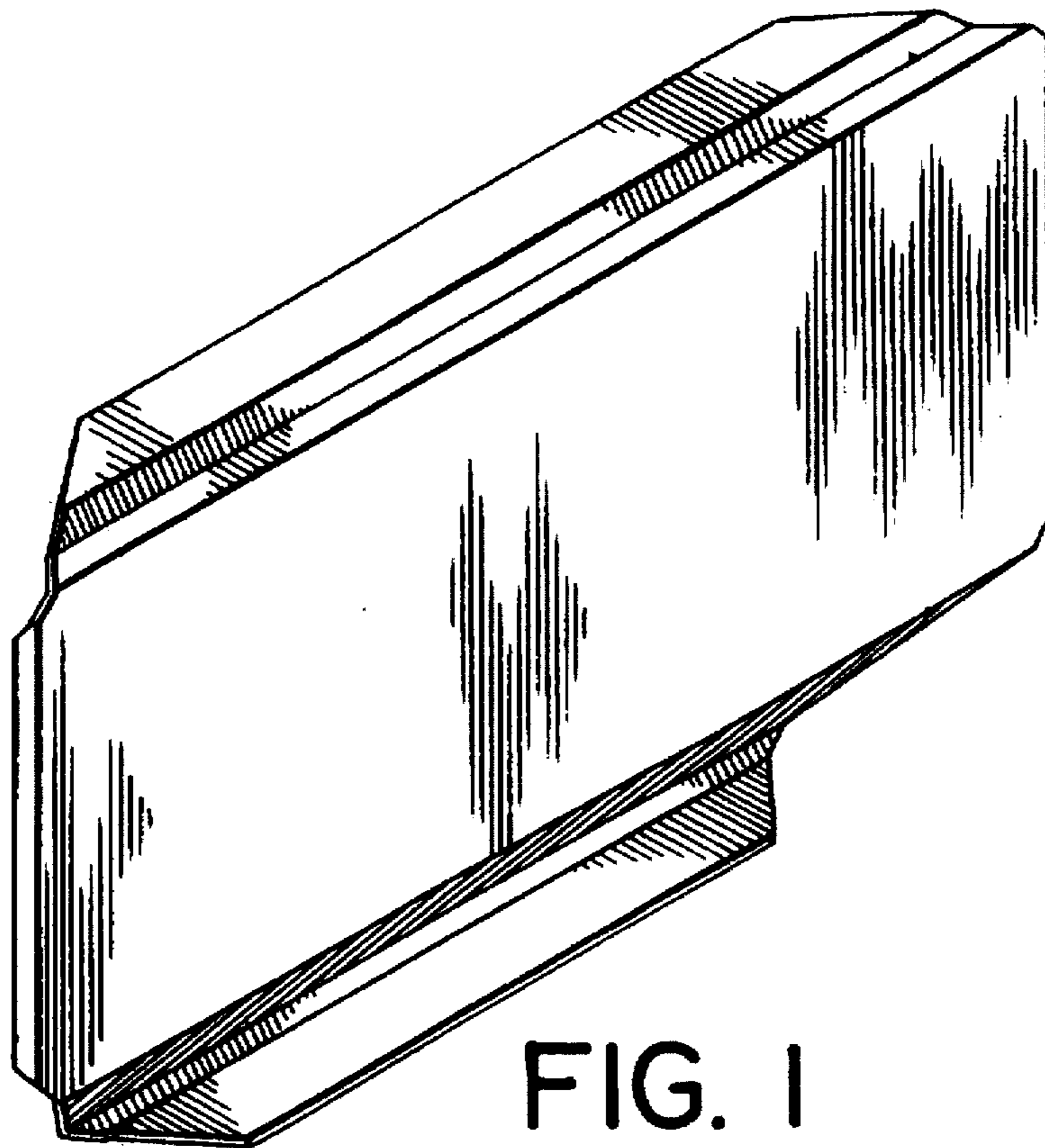


FIG. 1



FIG. 2

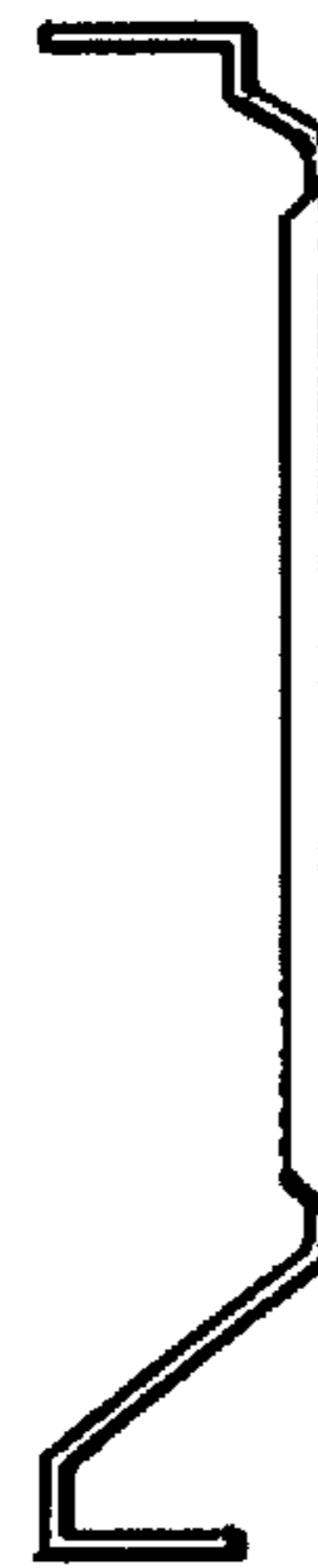


FIG. 3

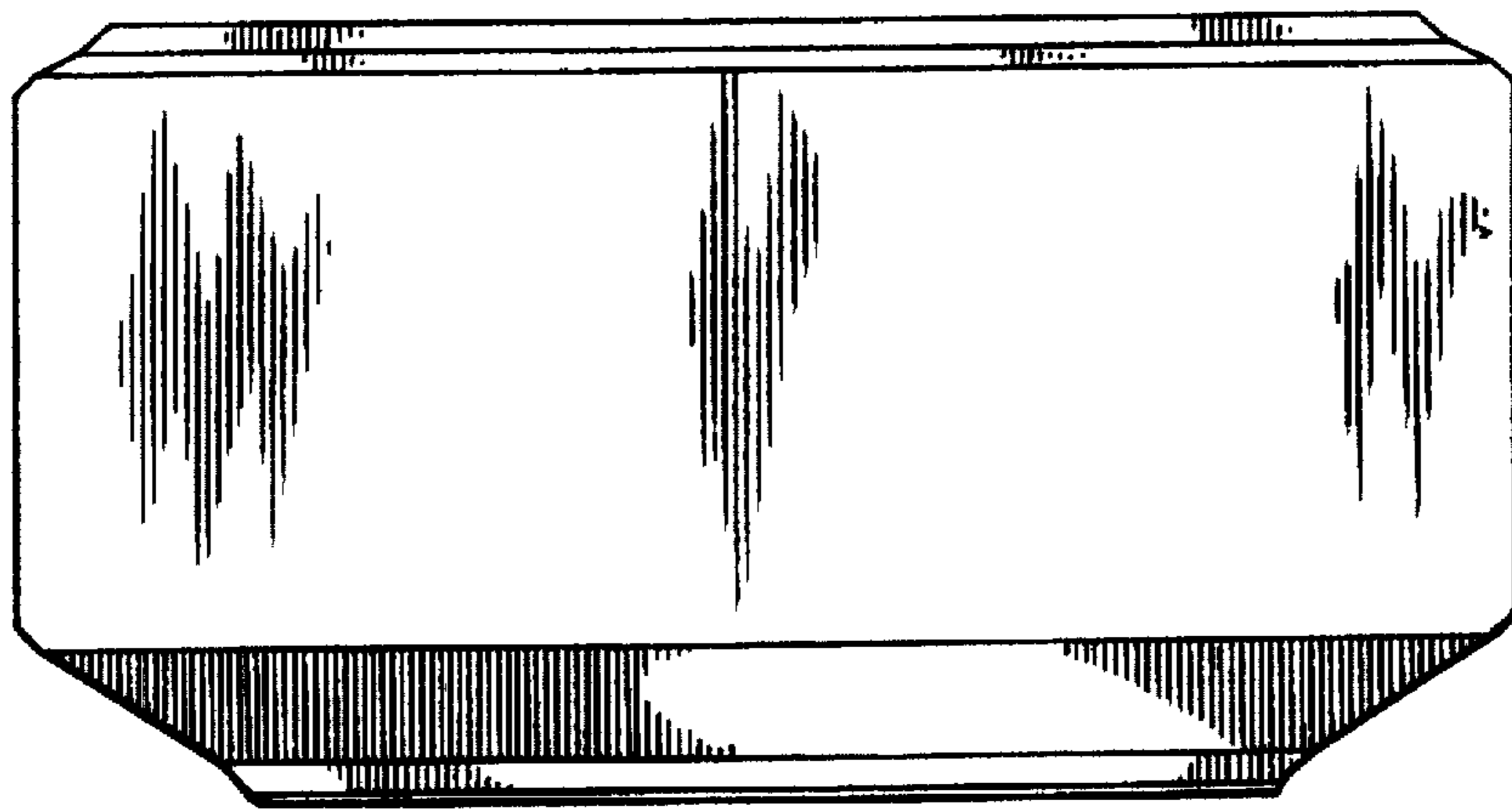


FIG. 4

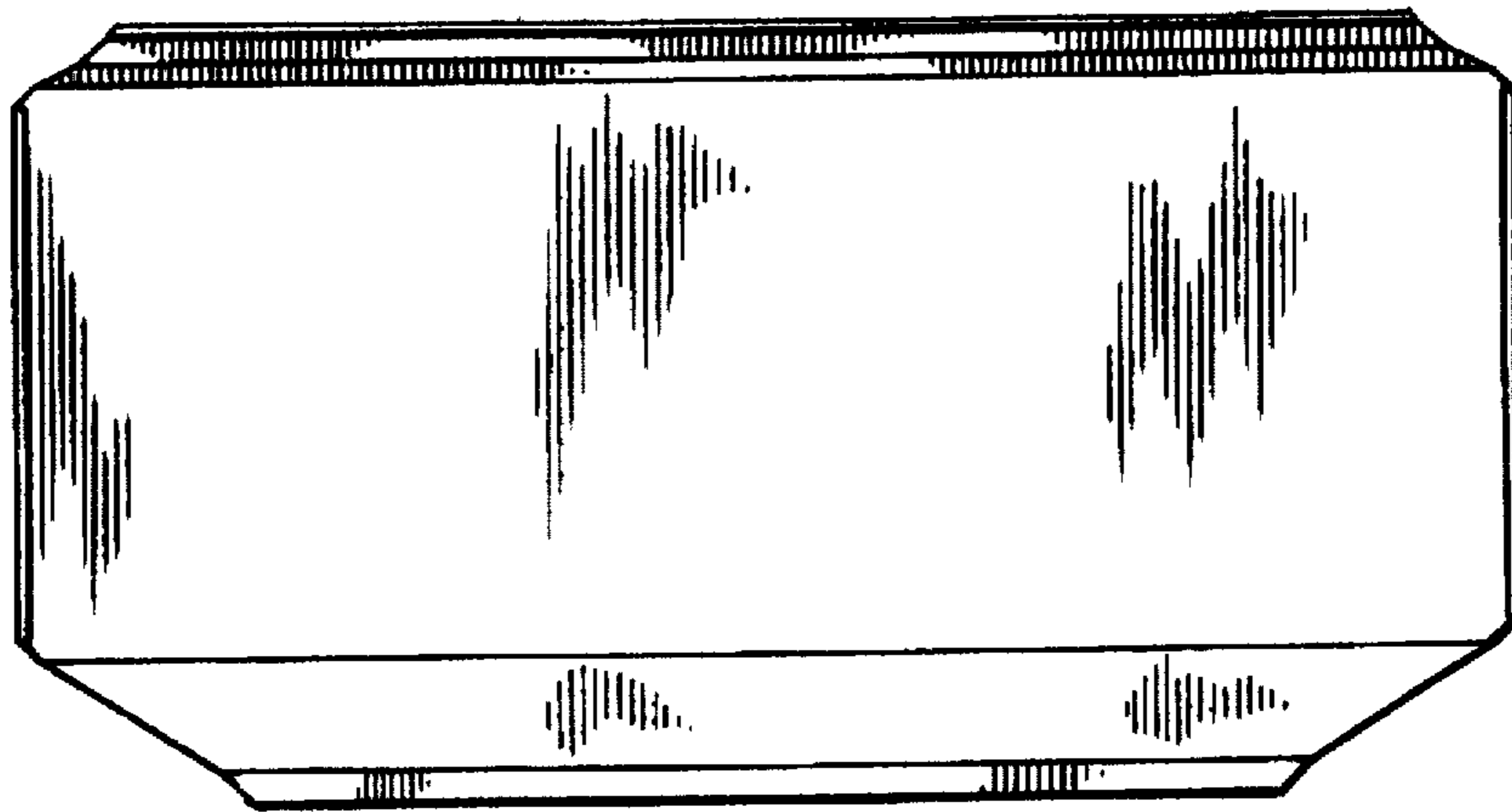


FIG. 5



FIG. 6

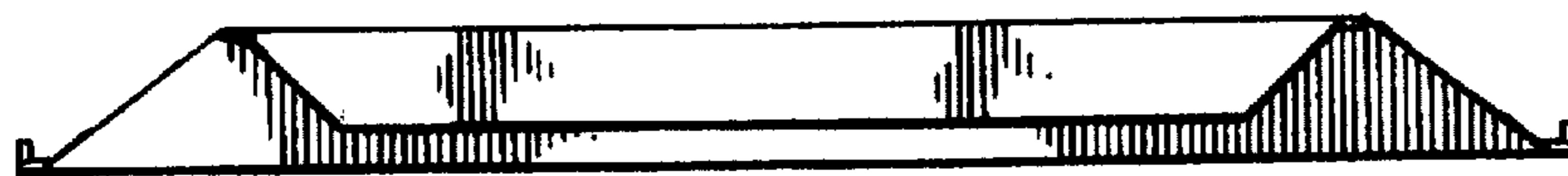


FIG. 7