



US00D385580S

United States Patent [19]
Hetzer

[11] **Patent Number: Des. 385,580**

[45] **Date of Patent: **Oct. 28, 1997**

[54] **ELECTRONIC INFORMATION DISPLAY DEVICE**

[75] Inventor: **Norbert Hetzer**, Lobbach, Germany

[73] Assignee: **Esselte Meto International GmbH**, Heppenheim, Germany

[**] Term: **14 Years**

[21] Appl. No.: **36,606**

[22] Filed: **Feb. 13, 1995**

[30] **Foreign Application Priority Data**

Aug. 12, 1994 [DE] Germany 44 28 555.8

[51] **LOC (6) Cl.** **20-02**

[52] **U.S. Cl.** **D20/42; D20/10; D20/43**

[58] **Field of Search** D20/10, 42, 43, D2040, 41, 44, 39, 20; 40/1, 109, 124, 124.1, 5, 630, 642, 643, 644, 649, 618, 619, 624, 124.2, 446

[56] **References Cited**

U.S. PATENT DOCUMENTS

- D. 271,861 12/1983 Patton D20/10 X
- D. 279,691 7/1985 Silver D20/20
- D. 348,287 6/1994 Odmark D20/43
- D. 367,679 3/1996 Vitali et al. D20/42
- 3,159,937 12/1964 Barnes .

FOREIGN PATENT DOCUMENTS

- 0394913 12/1991 Australia .
- 8709979 6/1988 Germany .
- 3821137 2/1989 Germany .
- 9104107 7/1991 Germany .
- 9309464 11/1993 Germany .
- 9407572 8/1994 Germany .
- 2252034 7/1992 United Kingdom .
- 2266401 10/1993 United Kingdom .

Primary Examiner—Susan J. Lucas
Assistant Examiner—Jennifer A. Regester
Attorney, Agent, or Firm—Nils H. Ljungman and Associates

[57] **CLAIM**

The ornamental design for an electronic information display device, as shown and described.

DESCRIPTION

FIG. 1 is a perspective view of a first embodiment of the electronic information display device showing the front side of the display device with the front cover in place;

FIG. 2 is a perspective view of the first embodiment of the display device showing the front side of the display device with the front cover partially opened;

FIG. 3 is a perspective view of the first embodiment of the display device showing the back side of the display device with the front and rear covers in place;

FIG. 4 is a perspective view of the first embodiment of the display device showing the back side of the display device with the front cover in place and the rear cover partially opened;

FIG. 5 is a perspective view of a second embodiment of the display device showing the front side of the display device with the front cover in place;

FIG. 6 is a perspective view of the second embodiment of the display device showing the front side of the display device with the front cover partially opened;

FIG. 7 is a perspective view of the second embodiment of the display device showing the back side of the display device with the front and rear covers in place;

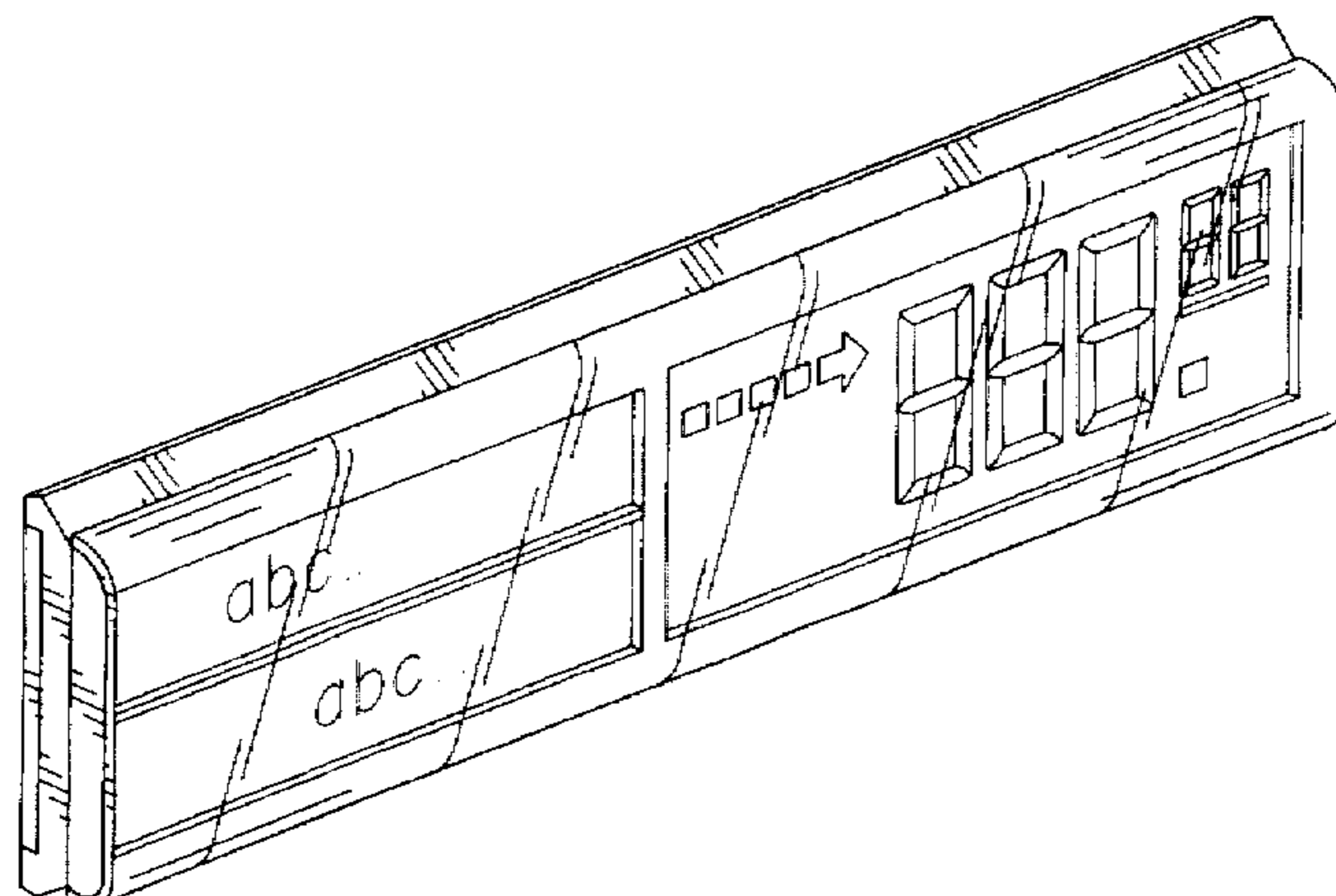
FIG. 8 is a perspective view of the second embodiment of the display device showing the back side of the display device with the front cover in place and the rear cover partially opened;

FIG. 9 is a perspective view of a third embodiment of the display device showing the front side of the display device with the front cover in place;

FIG. 10 is a perspective view of the third embodiment of the display device showing the front side of the display device with the front cover partially opened;

FIG. 11 is a perspective view of the third embodiment of the display device showing the back side of the display device with the front and rear covers in place; and,

FIG. 12 is a perspective view of the third embodiment of the display device showing the back side of the display device with the front cover in place and the rear cover partially opened.



1 Claim, 12 Drawing Sheets

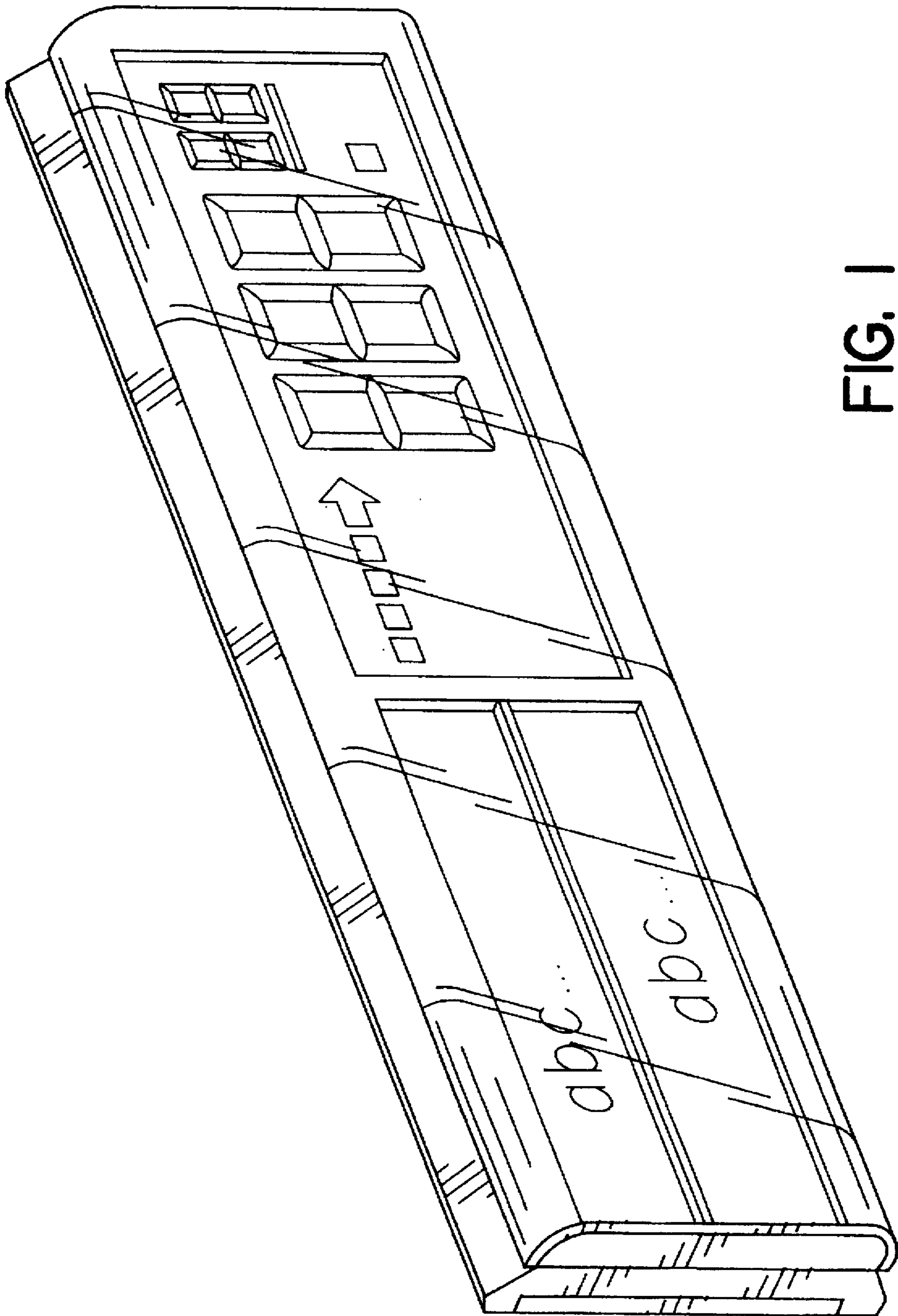


FIG. 1

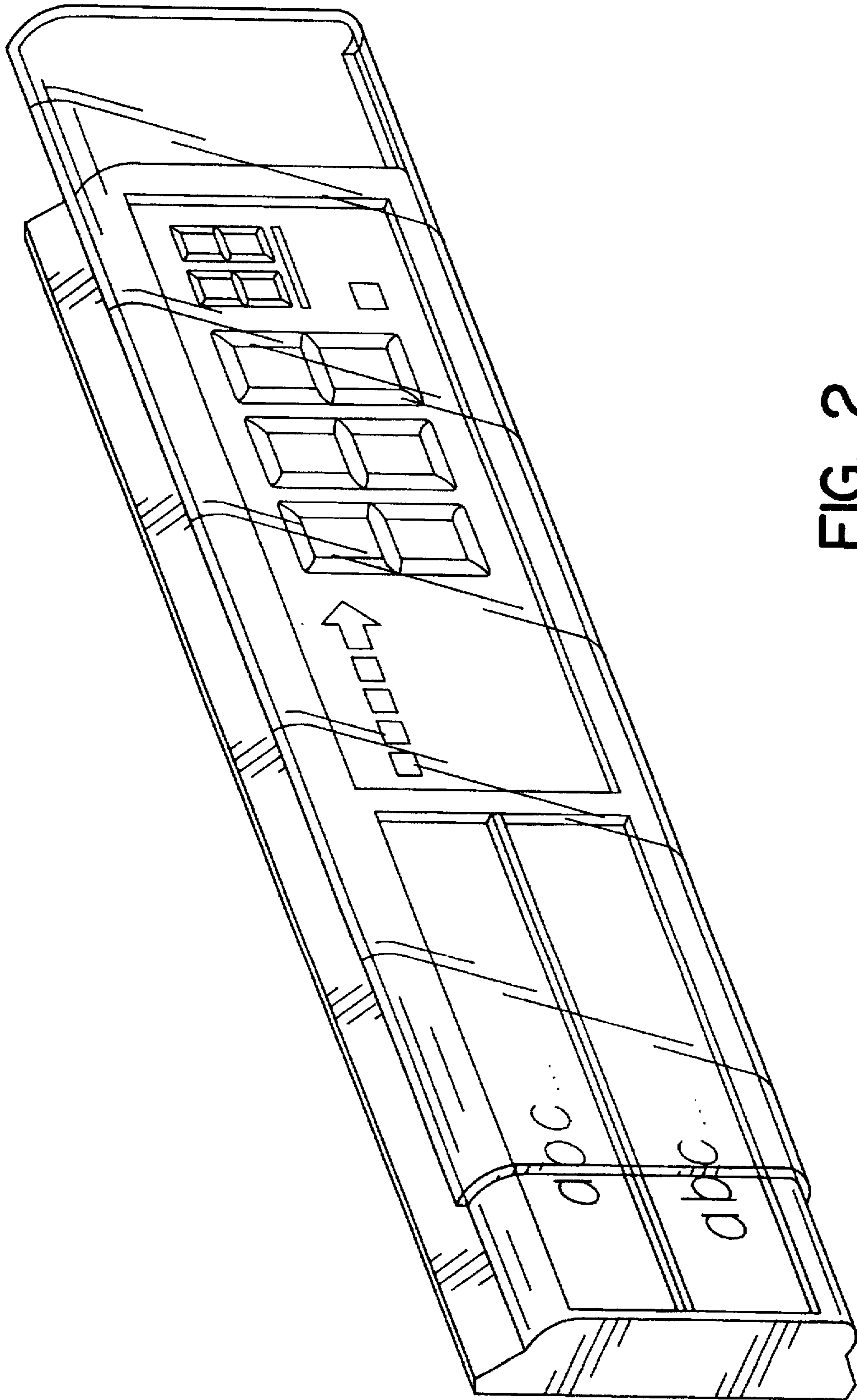


FIG. 2

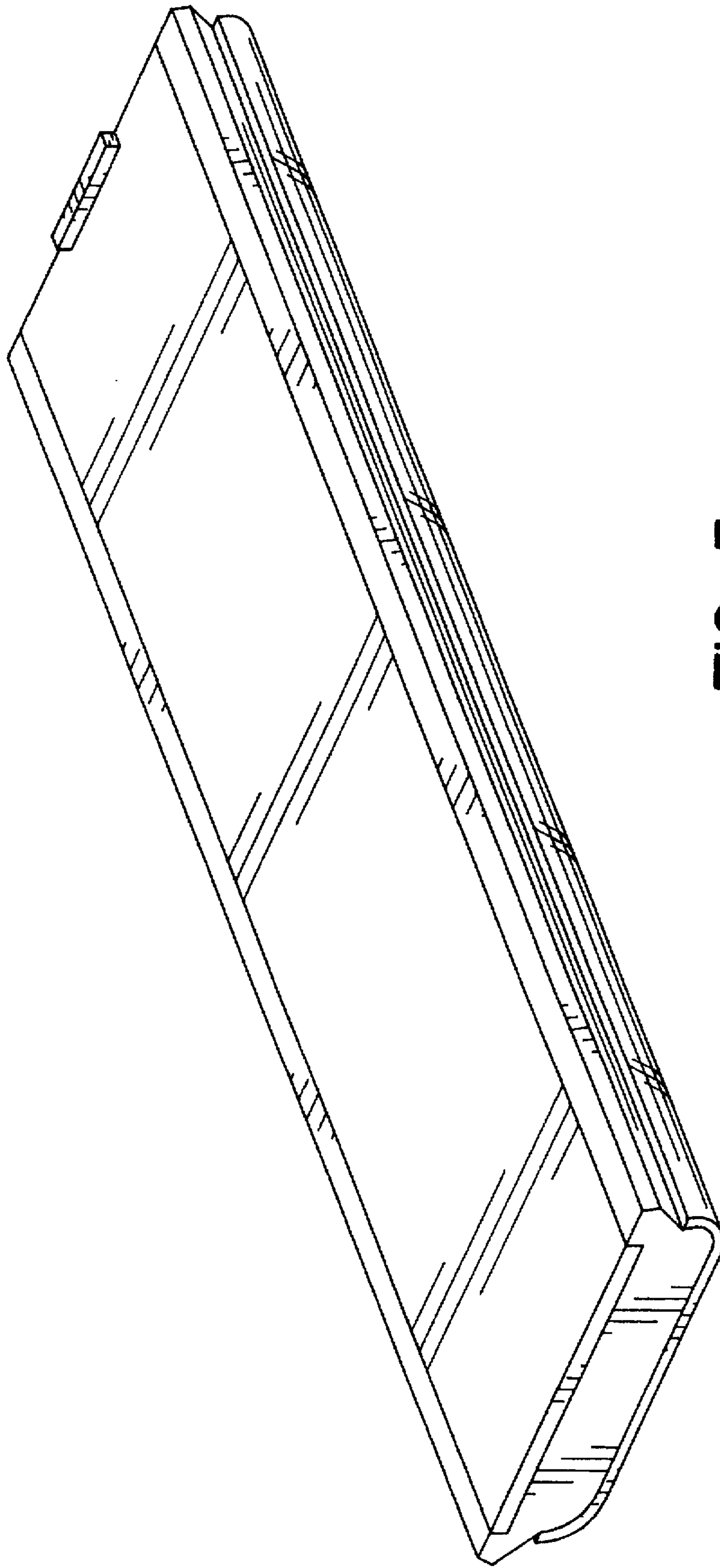


FIG. 3

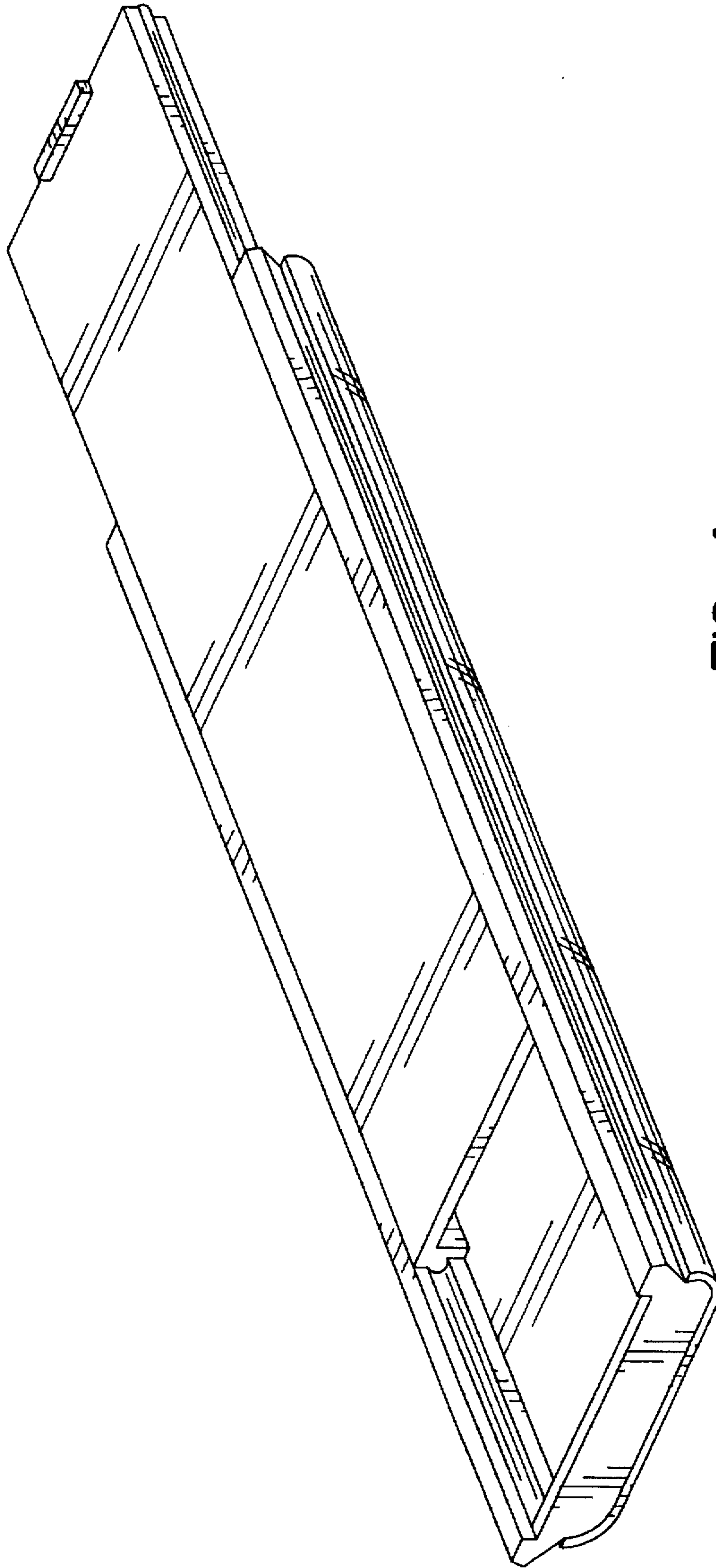


FIG. 4

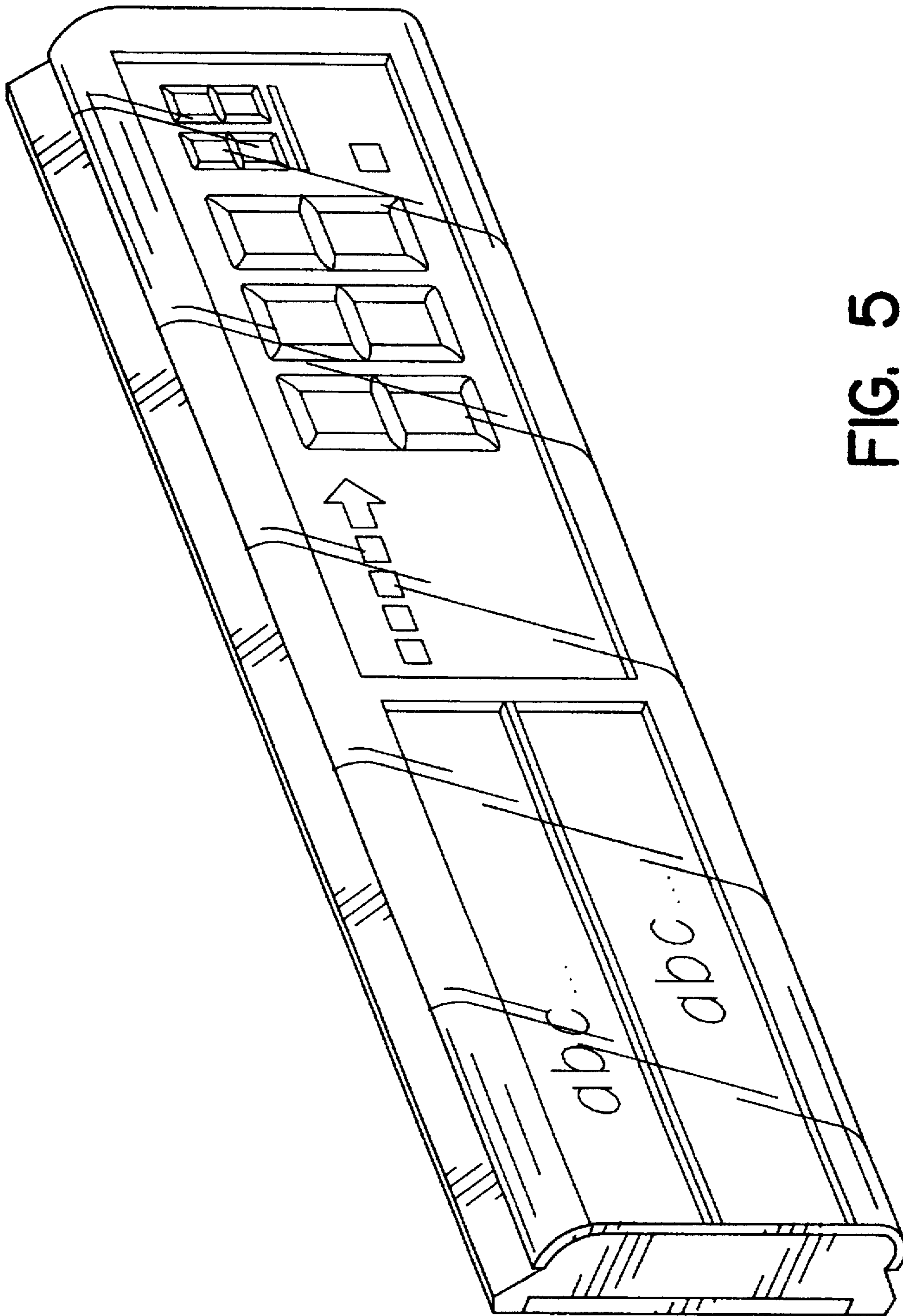


FIG. 5

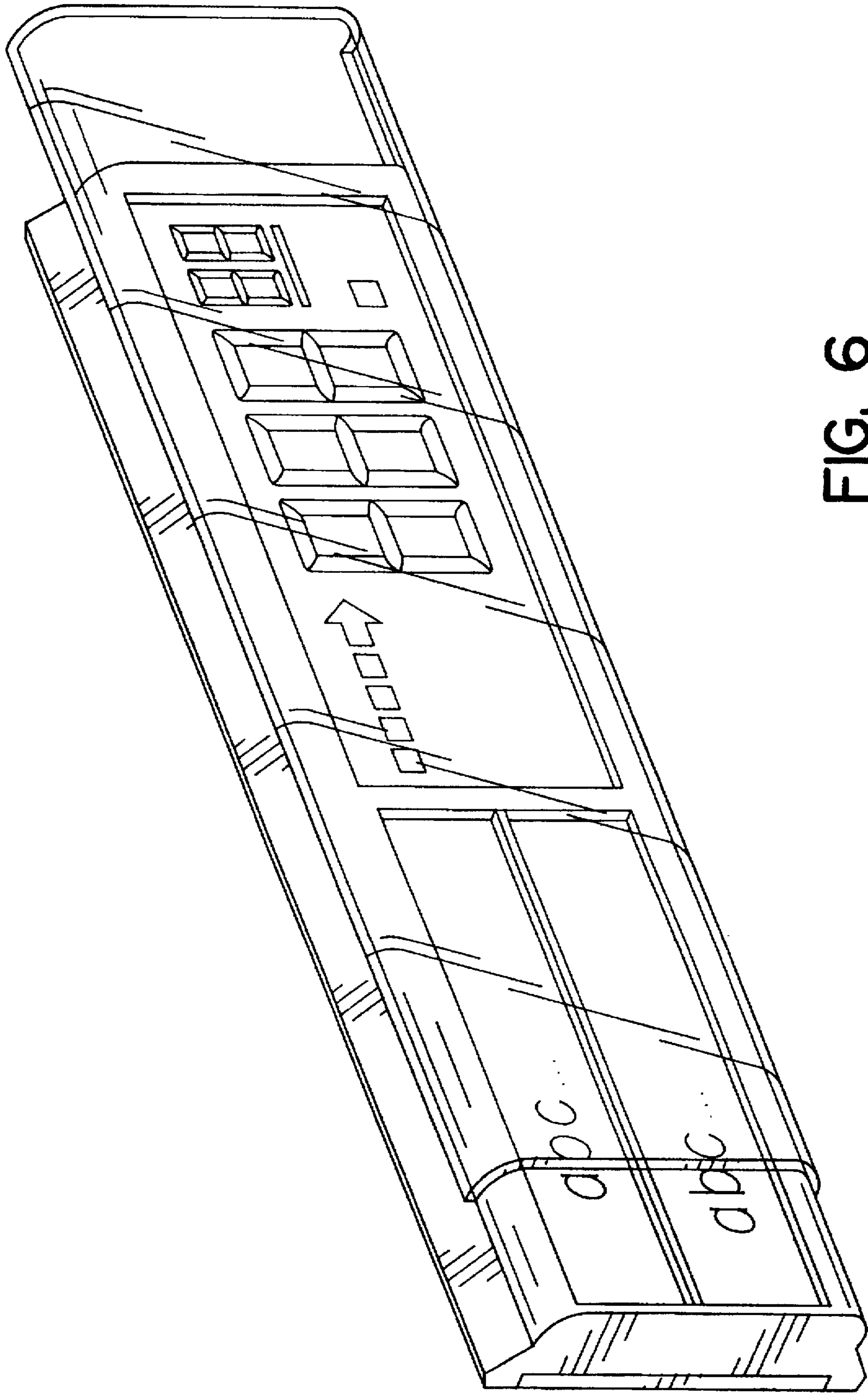


FIG. 6

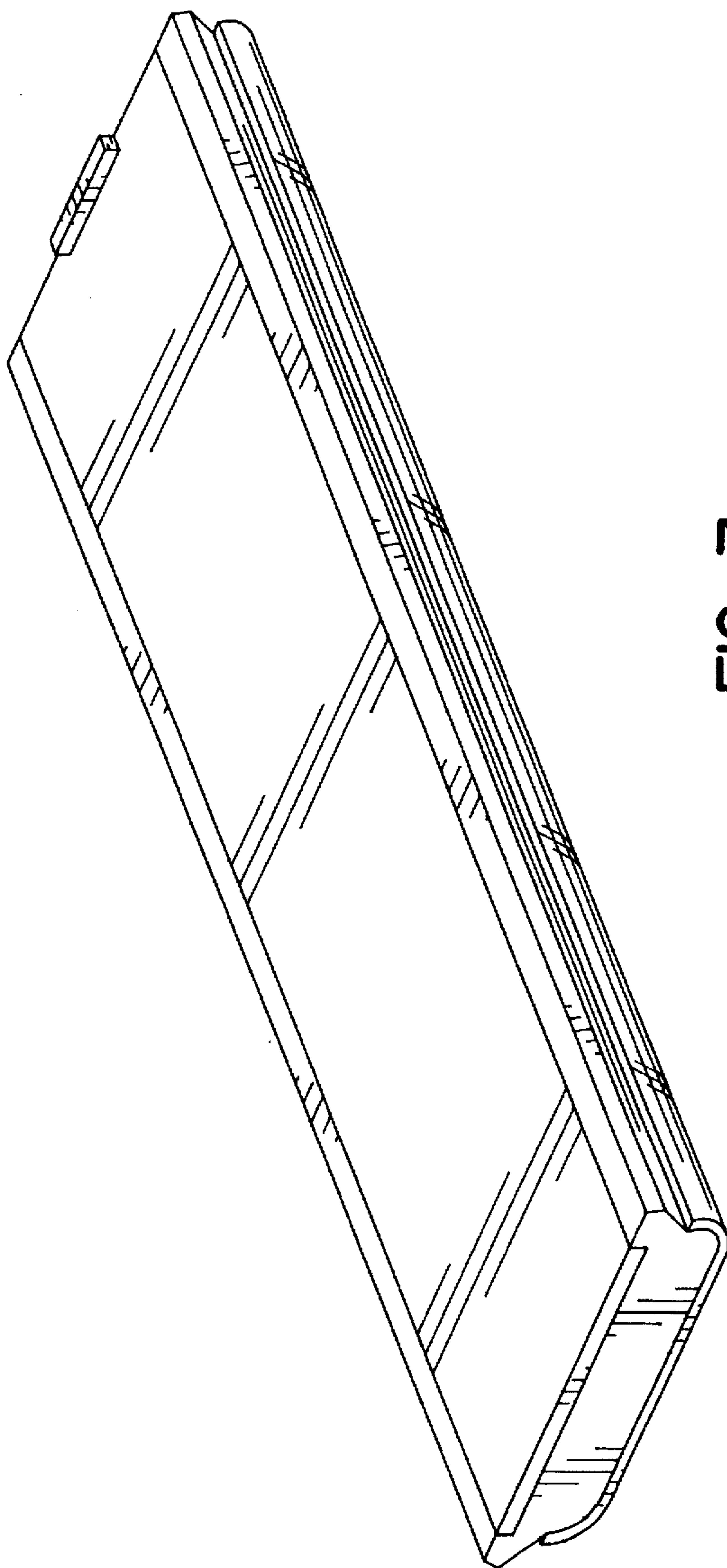


FIG. 7

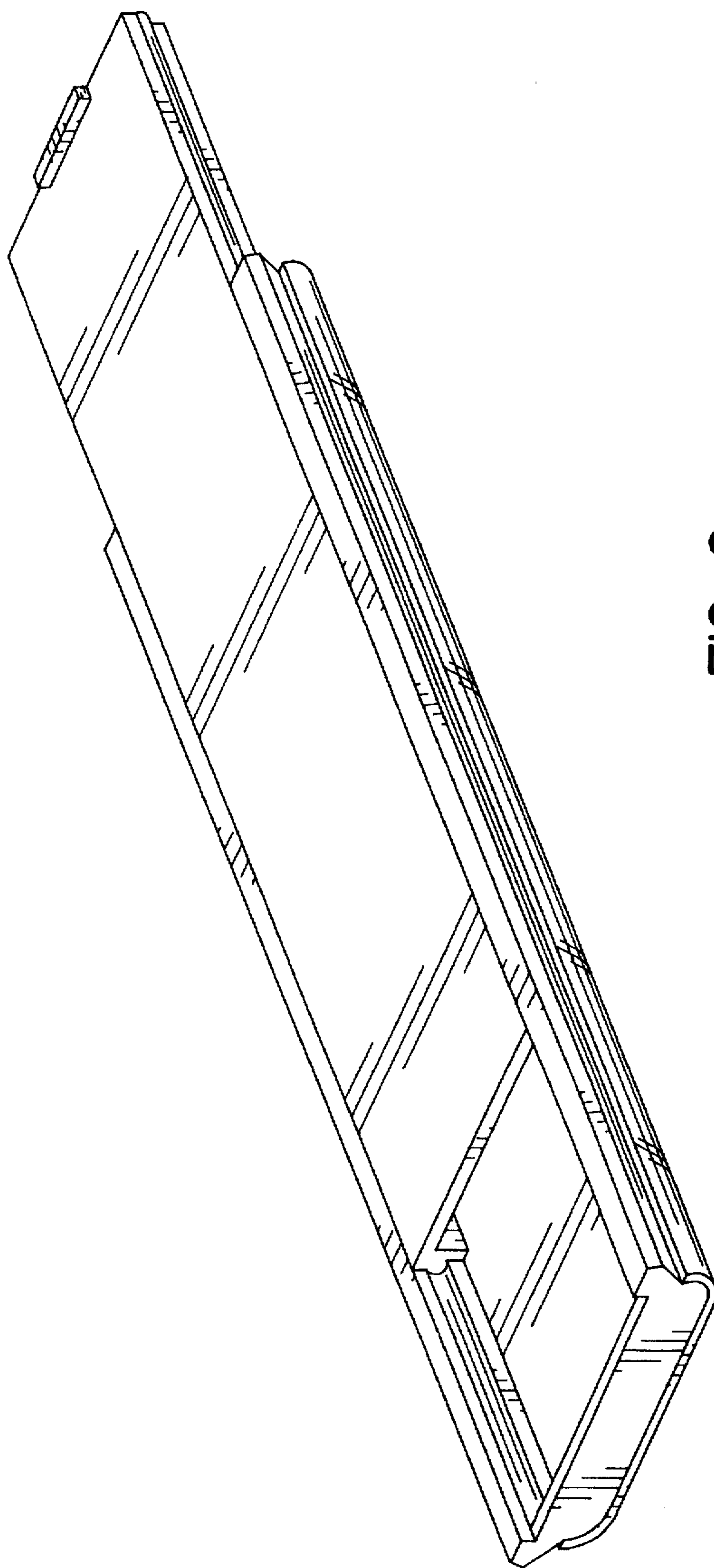


FIG. 8

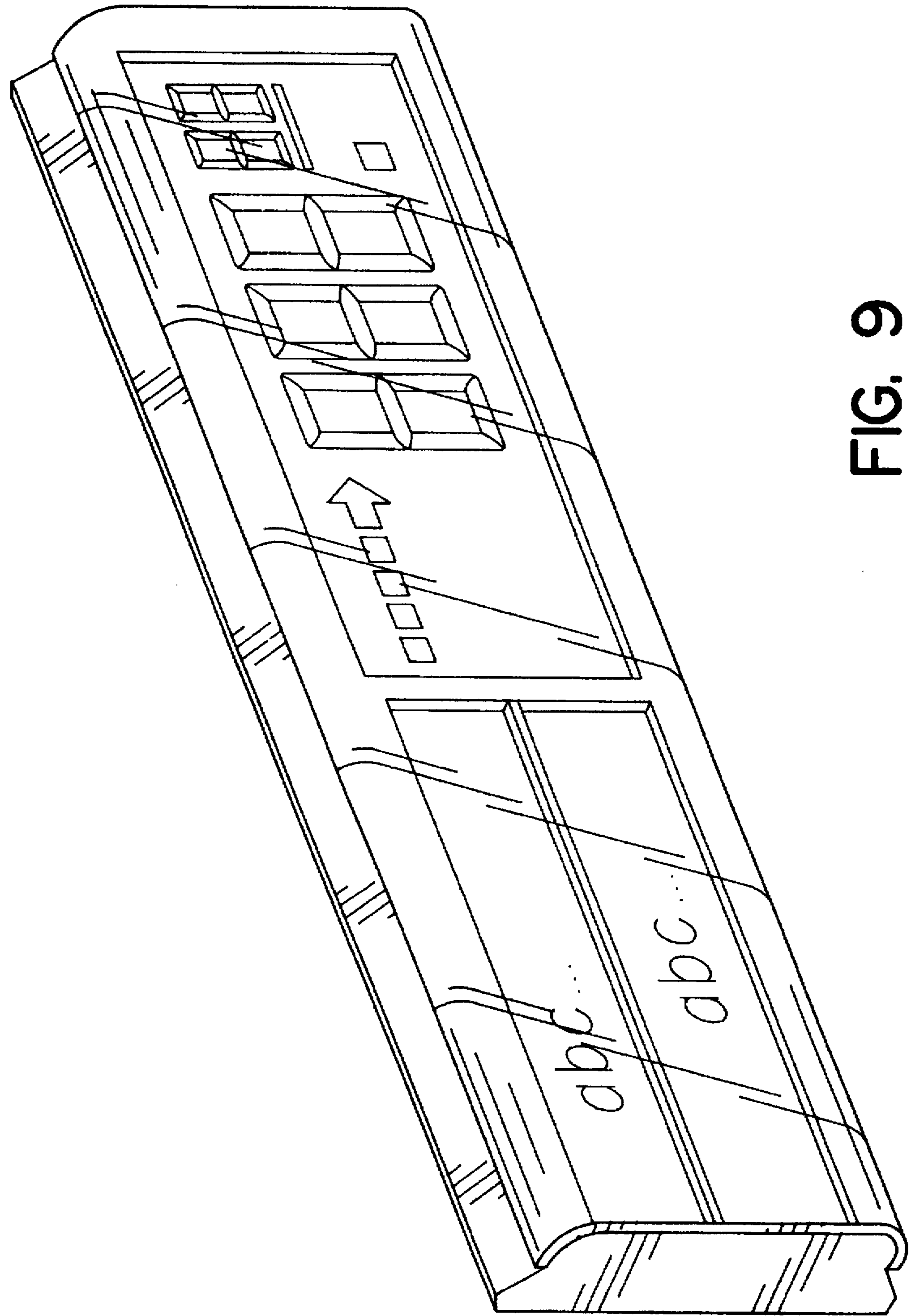


FIG. 9

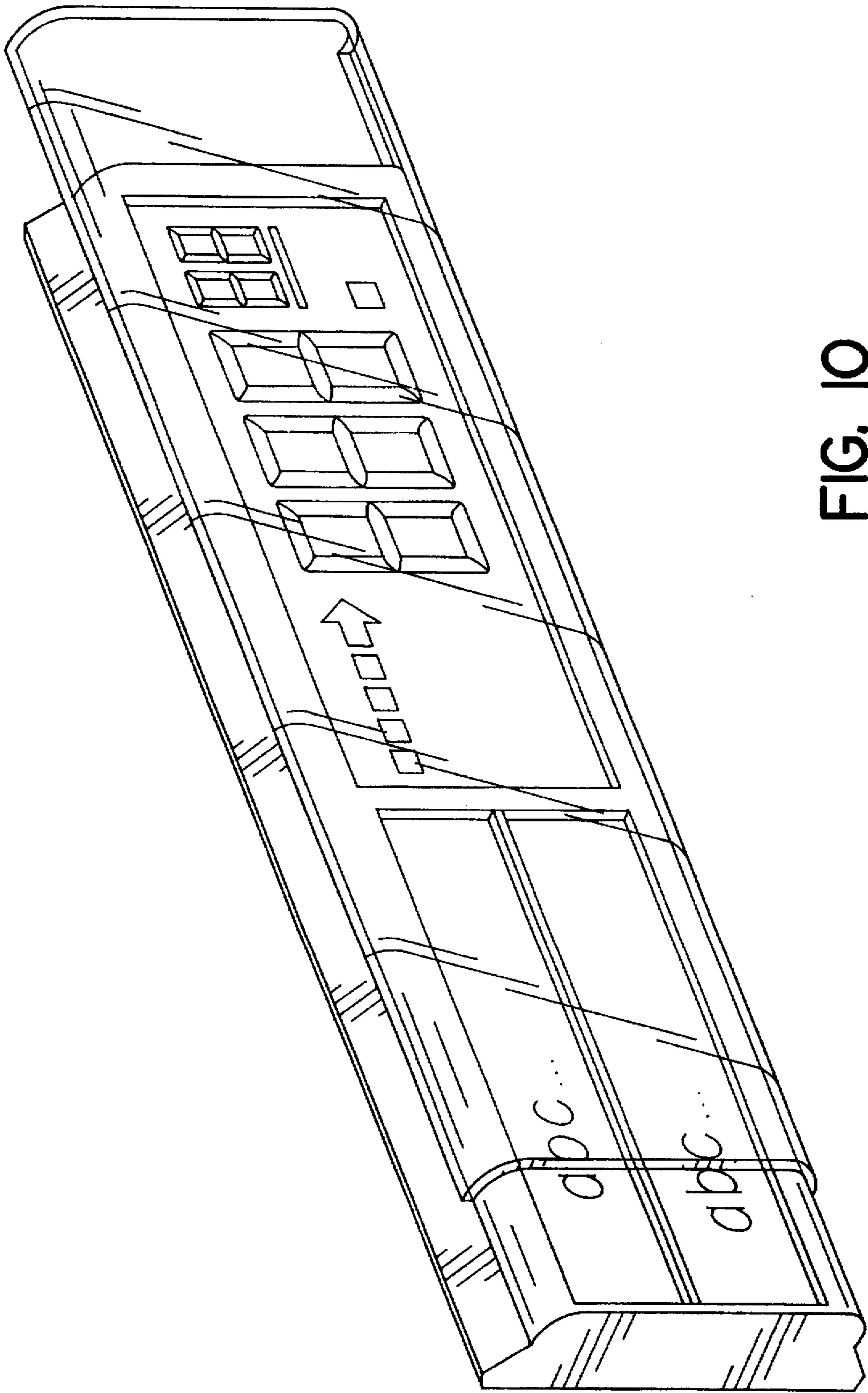


FIG. 10

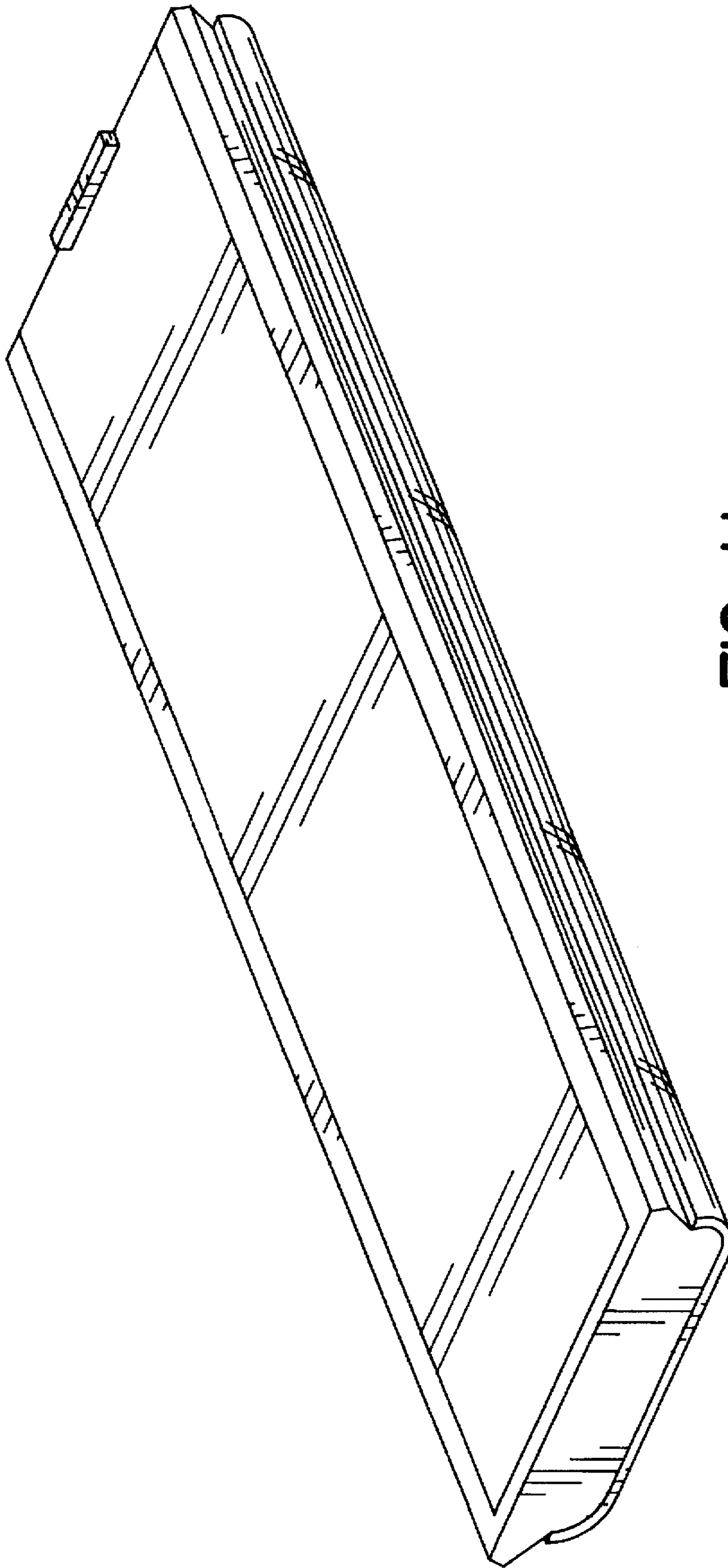


FIG. 11

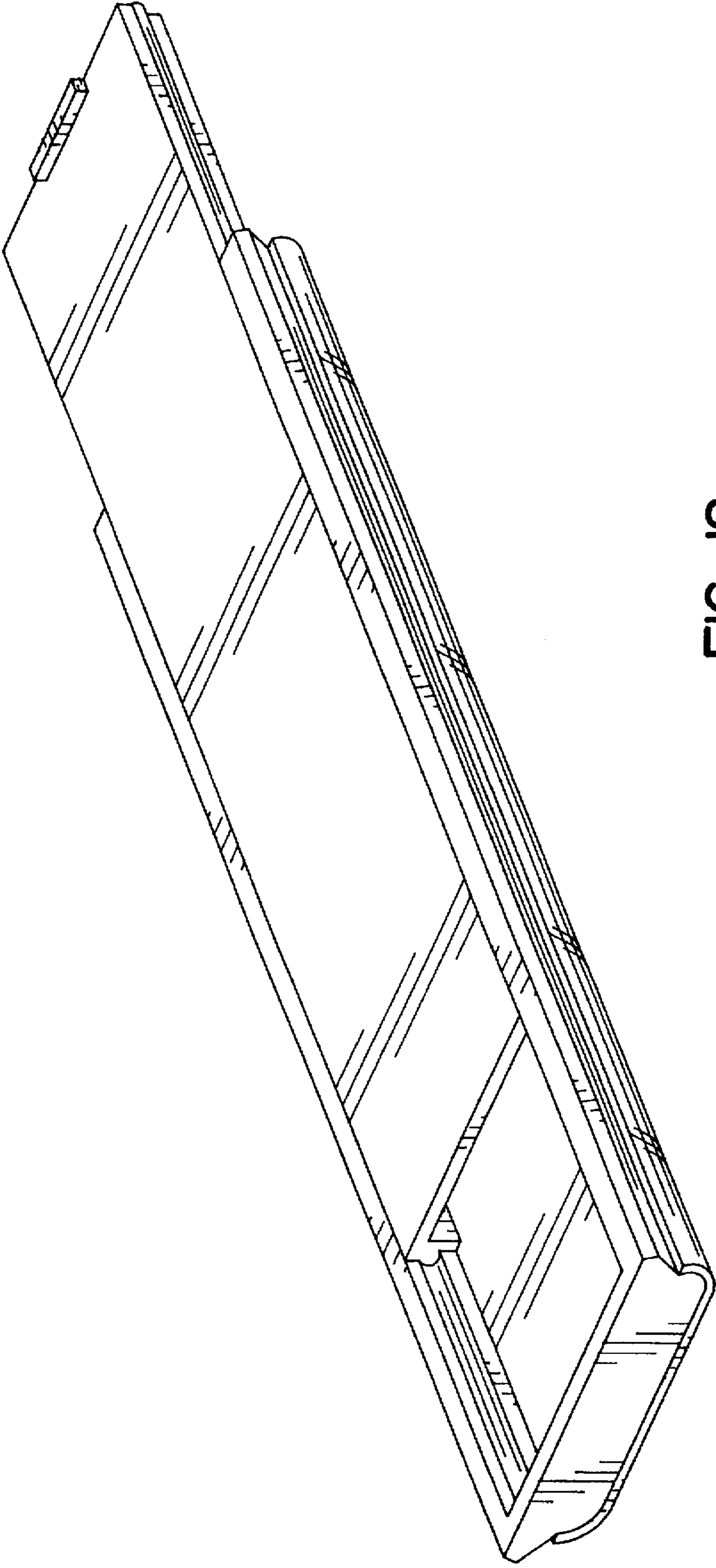


FIG. 12

UNITED STATES PATENT AND TRADEMARK OFFICE
CERTIFICATE OF CORRECTION

PATENT NO. : D385,580

DATED : October 28, 1997

INVENTOR(S) : Norbert HETZER

It is certified that error appears in the above-identified patent and that said Letters Patent is hereby corrected as shown below:

On the title page, item [56], under the FOREIGN PATENT DOCUMENTS section, first reference, after '12/1991', delete "Australia" and insert --Austria--.

Signed and Sealed this
Fourteenth Day of April, 1998



Attest:

BRUCE LEHMAN

Attesting Officer

Commissioner of Patents and Trademarks