



US00D385578S

United States Patent [19]
Gringer

[11] **Patent Number: Des. 385,578**

[45] **Date of Patent: **Oct. 28, 1997**

[54] **BUCKET DISPLAY**

[75] **Inventor: Donald Gringer, New York County, N.Y.**

[73] **Assignee: Allway Tools Inc., Bronx, N.Y.**

[**] **Term: 14 Years**

[21] **Appl. No.: 48,760**

[22] **Filed: Nov. 30, 1995**

[51] **LOC (6) Cl. 20-03**

[52] **U.S. Cl. D20/10; D6/405**

[58] **Field of Search D20/10, 43, 41, D20/44; D6/403, 405, 458, 462, 464; 40/607, 649; 47/47; 211/181, 119; 248/27.8, 175**

[56] **References Cited**

U.S. PATENT DOCUMENTS

D. 242,591	12/1976	Hurd	D6/458
D. 271,355	11/1983	Altman	D6/405
D. 371,695	7/1996	Buck	D6/405 X
917,655	4/1909	Pittman et al.	47/47

Primary Examiner—Susan J. Lucas
Assistant Examiner—Jennifer A. Register
Attorney, Agent, or Firm—David M. Klein; Bryan Cave LLP

[57] **CLAIM**

The ornamental design for a bucket display, as shown and described.

DESCRIPTION

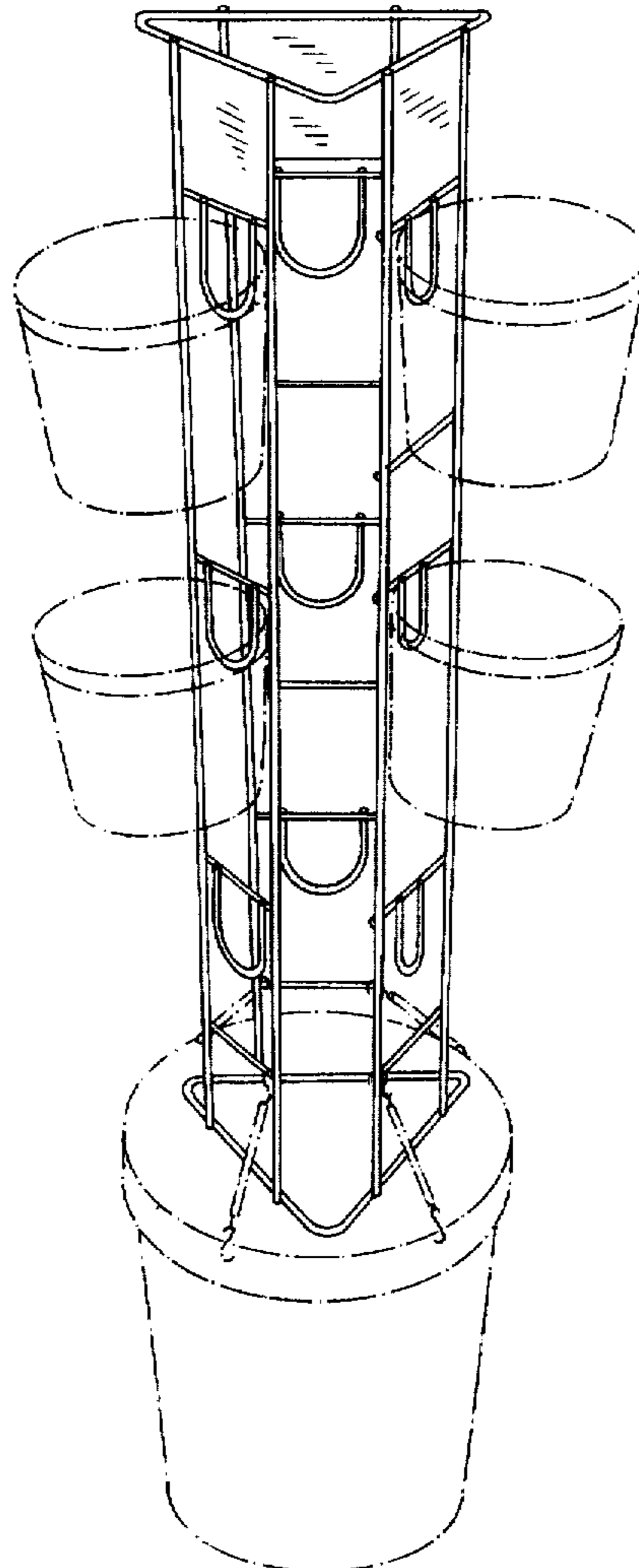
FIG. 1 is a perspective view of the bucket display design; FIG. 2 is a front view of the bucket display shown in FIG. 1;

FIG. 3 is a rear view of the bucket display shown in FIG. 1; FIG. 4 is a top view of the bucket display shown in FIG. 1; and,

FIG. 5 is a bottom view of the bucket display shown in FIG. 1.

The broken lines are shown for illustrative purposes only and form no part of the claimed design.

1 Claim, 3 Drawing Sheets



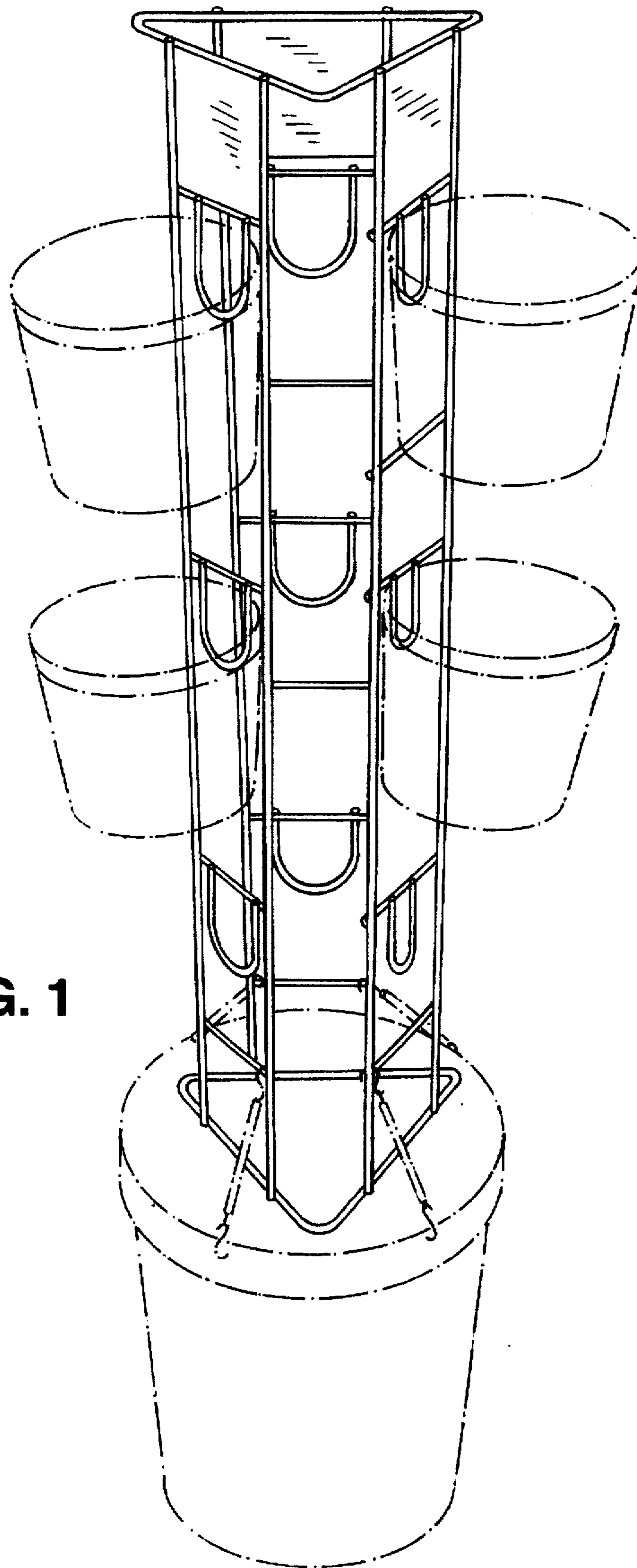


FIG. 1

FIG. 2

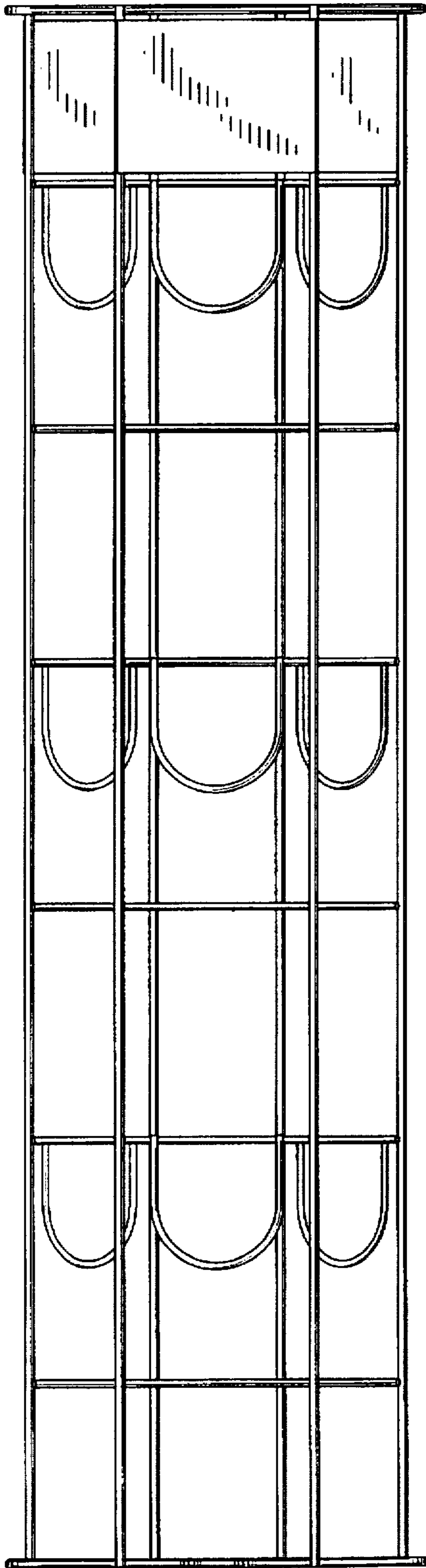


FIG. 3

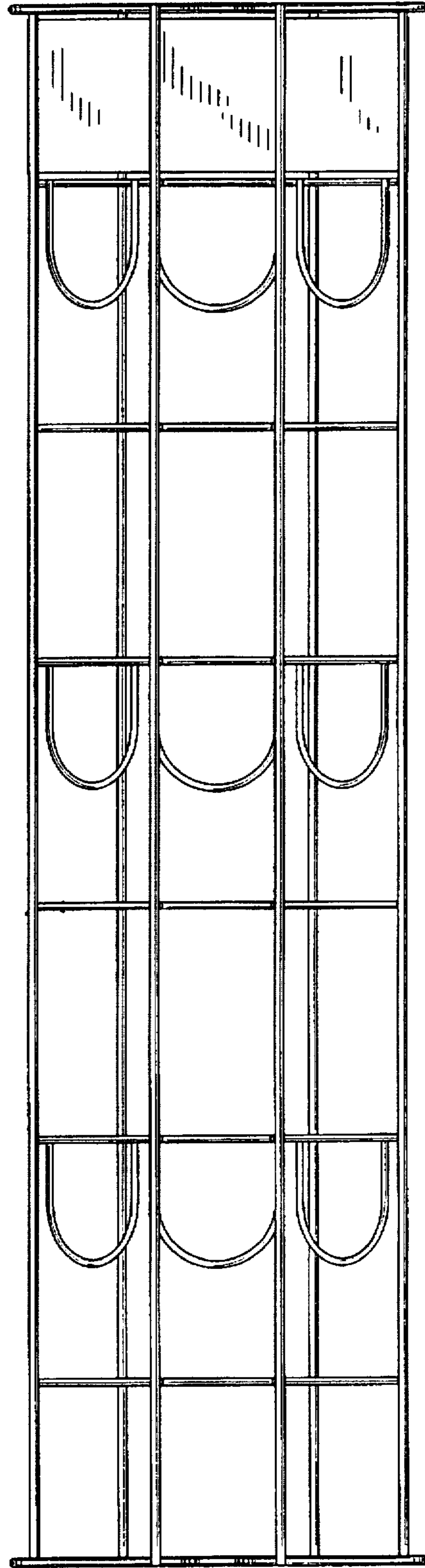


FIG. 4

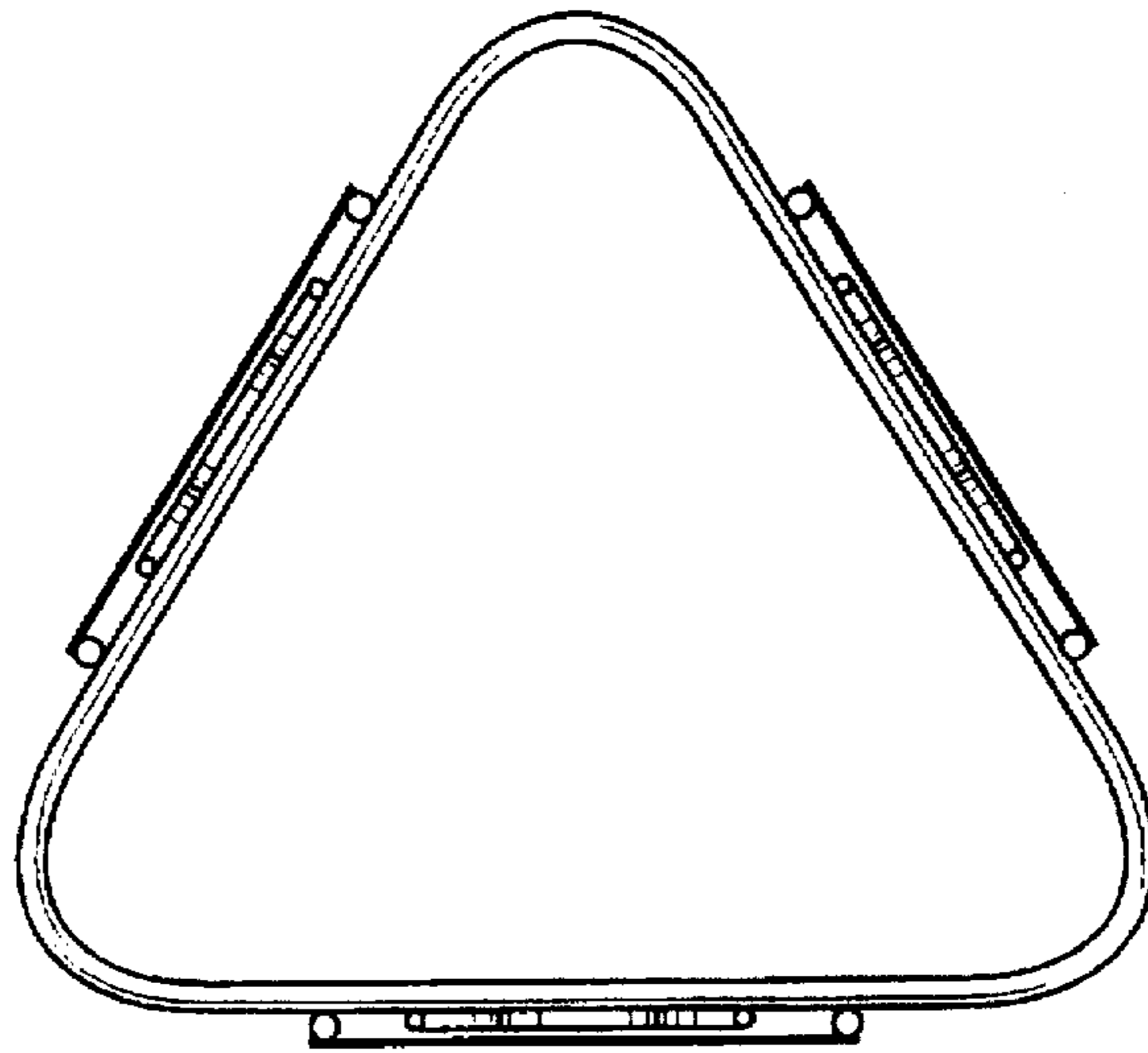


FIG. 5

