



US00D385576S

United States Patent [19]

[11] Patent Number: **Des. 385,576**

Busby et al.

[45] Date of Patent: ****Oct. 28, 1997**

[54] ELEMENT OF A CARTRIDGE FOR AN ELECTROPHOTOGRAPHIC PRINTER

Attorney, Agent, or Firm—Kilpatrick Stockton LLP

[75] Inventors: **Miles T. Busby; Wallace C. Burlingham**, both of Charlotte, N.C.

[57] CLAIM

The ornamental design for an element of a cartridge for an electrophotographic printer, as shown.

[73] Assignee: **Source Technologies, Inc.**

DESCRIPTION

[**] Term: **14 Years**

FIG. 1 is a rear elevational view of an element of a cartridge for an electrophotographic printer showing our new design, the front elevation view of the element being a mirror image thereof;

[21] Appl. No.: **38,422**

FIG. 2 is a rear elevational view of an element of a cartridge for an electrophotographic printer showing an additional embodiment of our new design, the front elevation view of the element being a mirror image thereof;

[22] Filed: **May 5, 1995**

FIG. 3 is a rear elevational view of an element of a cartridge for an electrophotographic printer showing our new design, the front elevation view of the element being a mirror image thereof;

[51] LOC (6) Cl. **16-03**

[52] U.S. Cl. **D18/43; D18/40**

[58] Field of Search **D18/36, 40, 43, D18/44; 222/DIG. 1; 355/206, 245, 208, 260, 298**

FIG. 4 is a top rear perspective view;

FIG. 5 is a bottom rear perspective view;

FIG. 6 is a right side elevational view thereof; and,

FIG. 7 is a left side elevational view thereof.

The broken line showing of a cartridge in FIGS. 1-7 is for illustrative purposes only and forms no part of the claimed design.

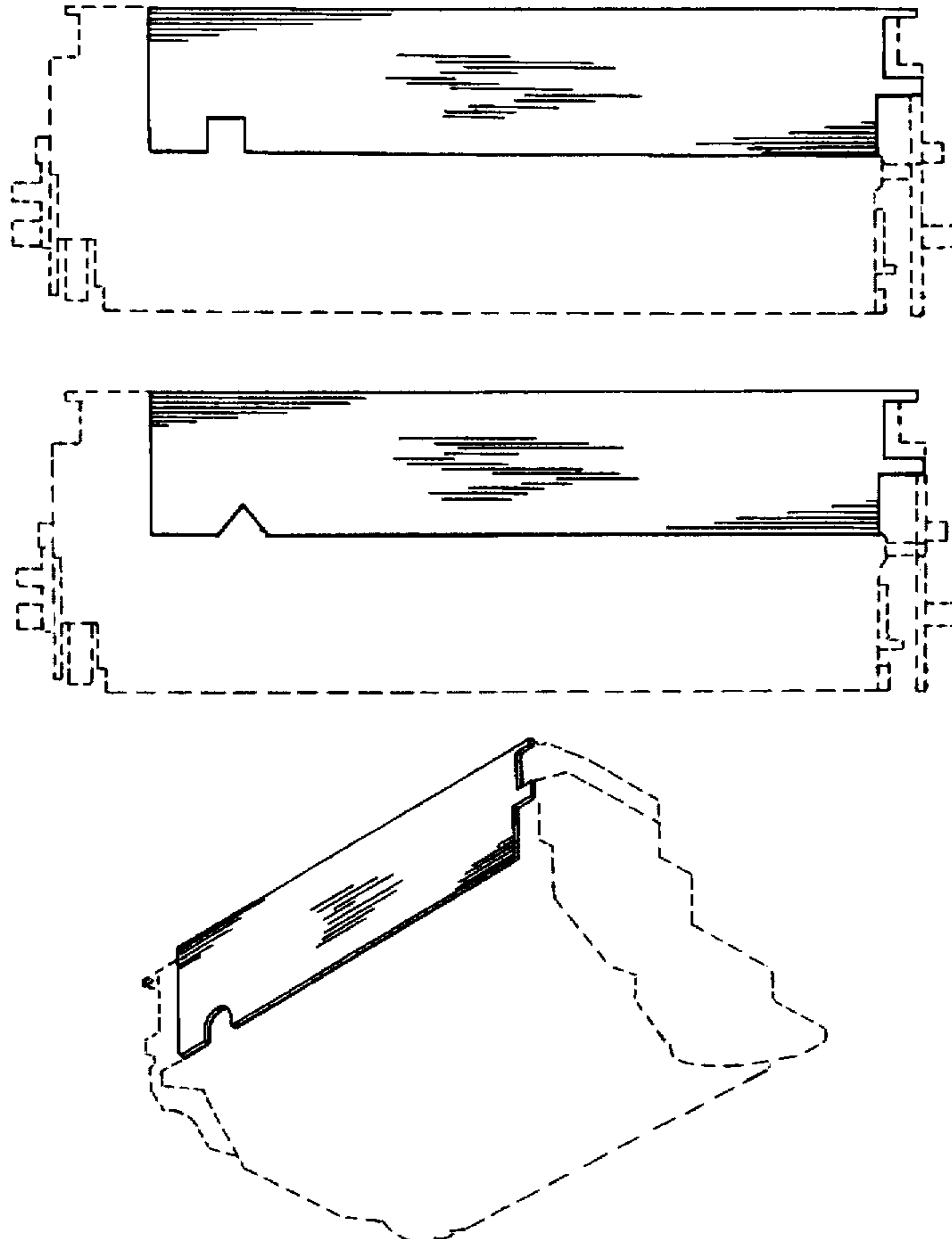
[56] References Cited

U.S. PATENT DOCUMENTS

| | | | | |
|------------|---------|------------------|-------|----------|
| D. 253,810 | 1/1980 | Stone | | D18/43 |
| D. 309,323 | 7/1990 | Craft et al. | | D18/40 |
| D. 356,812 | 3/1995 | Chiba | | D18/43 |
| D. 359,067 | 6/1995 | Komaki et al. | | D18/43 |
| 4,961,088 | 10/1990 | Gilliland et al. | | D18/43 X |

Primary Examiner—Caron D. Veynar

1 Claim, 3 Drawing Sheets



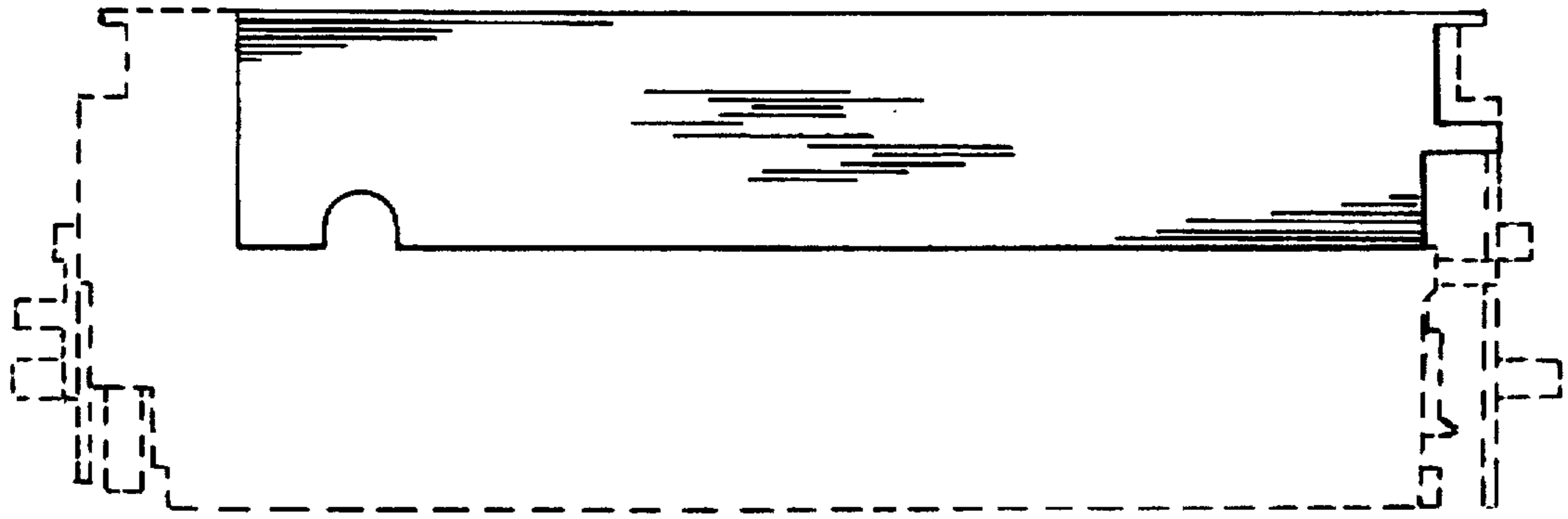


FIG. 1

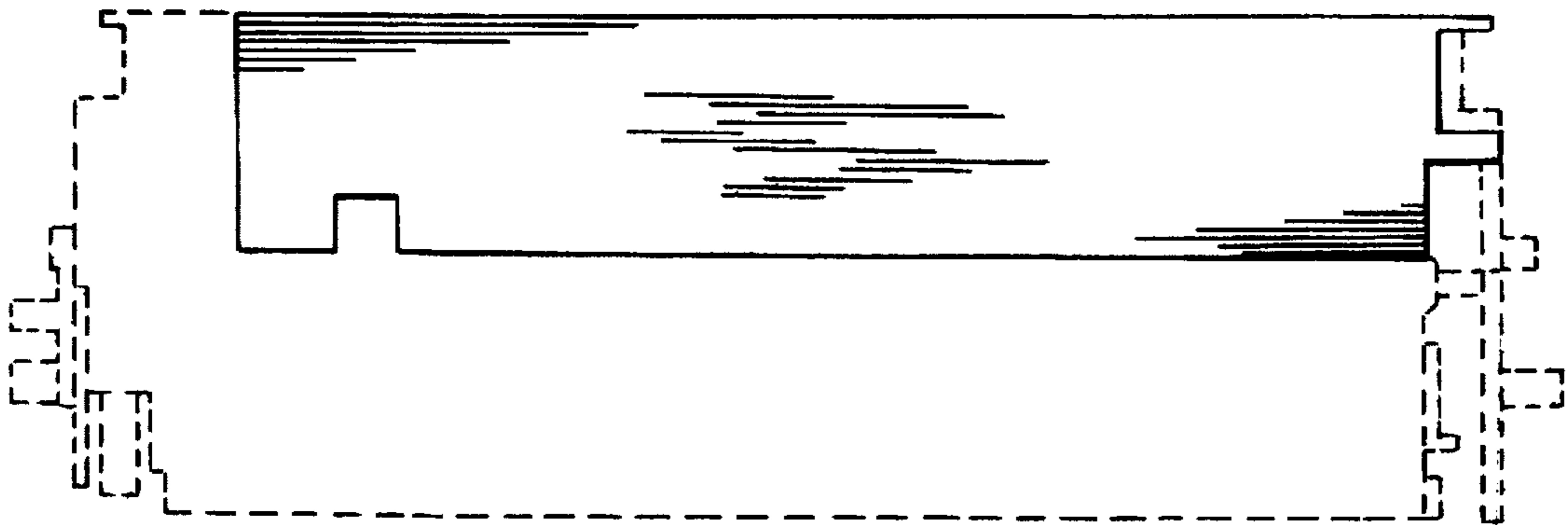


FIG. 2

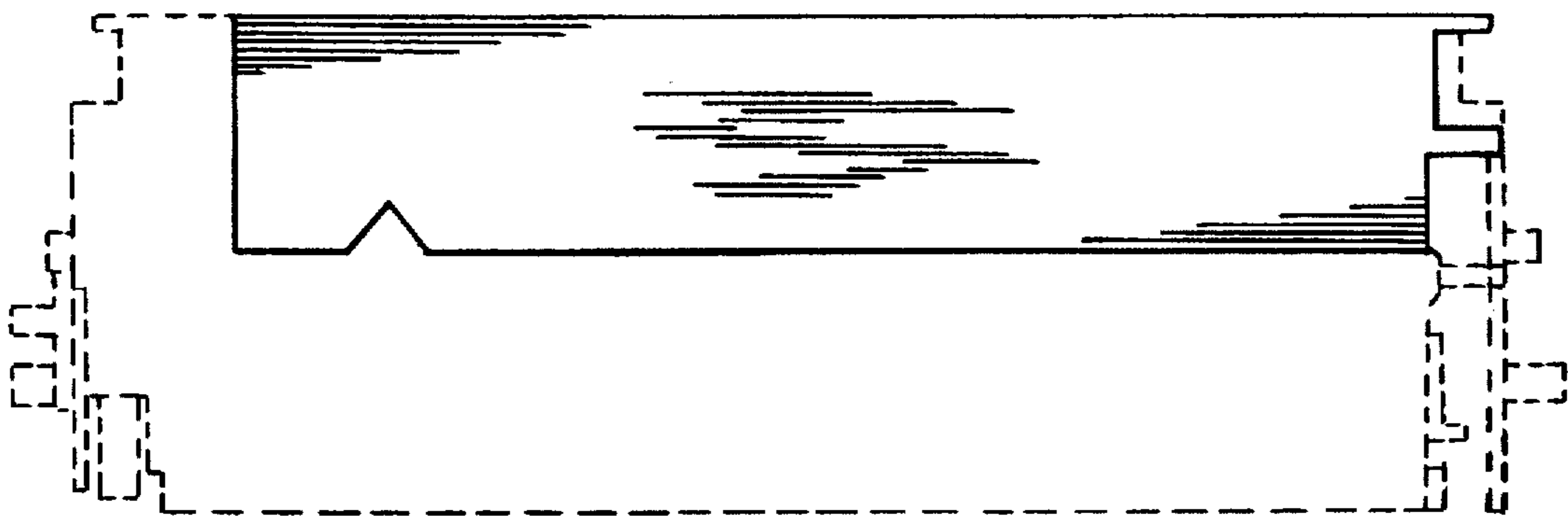


FIG. 3

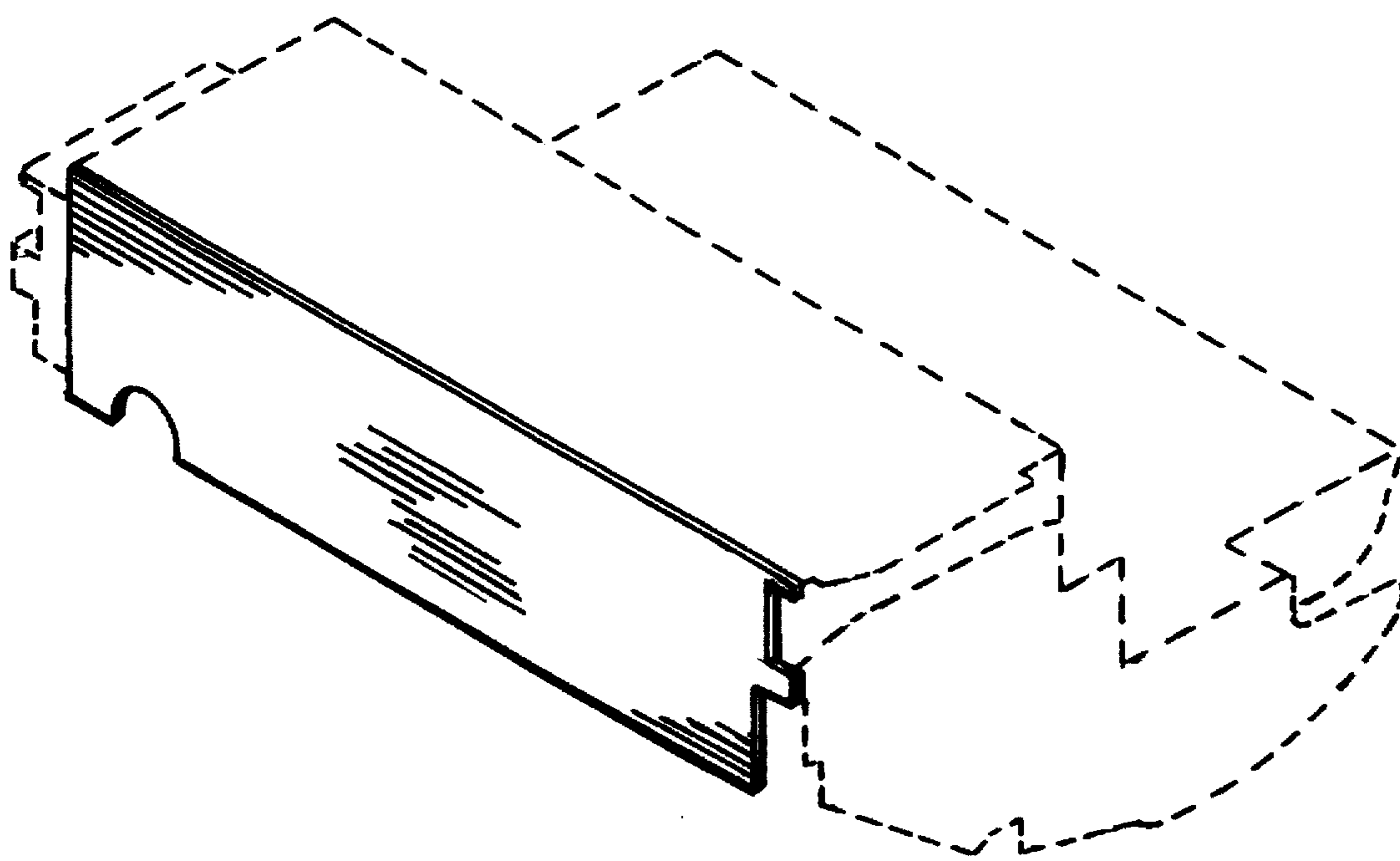


FIG. 4

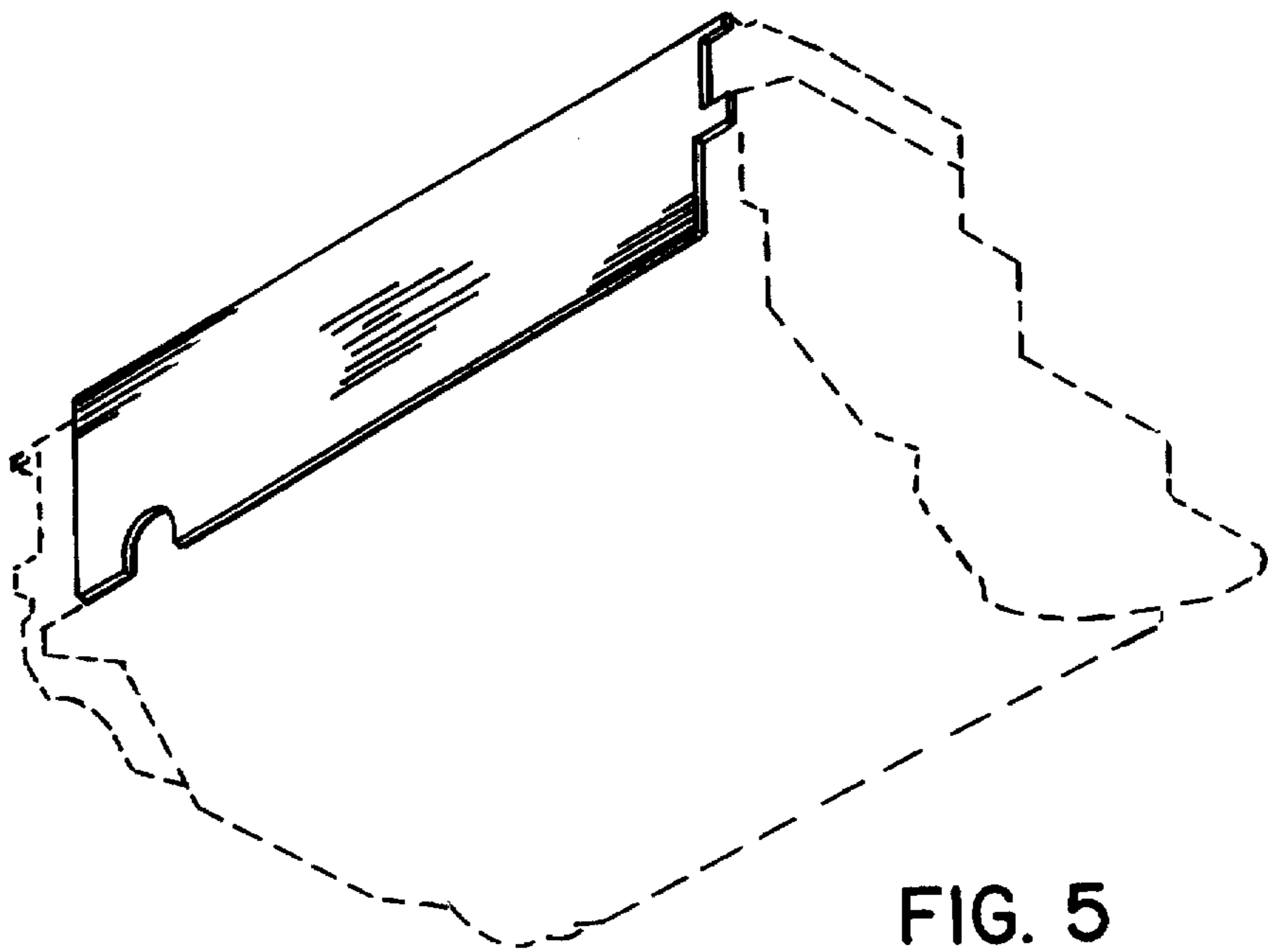


FIG. 5

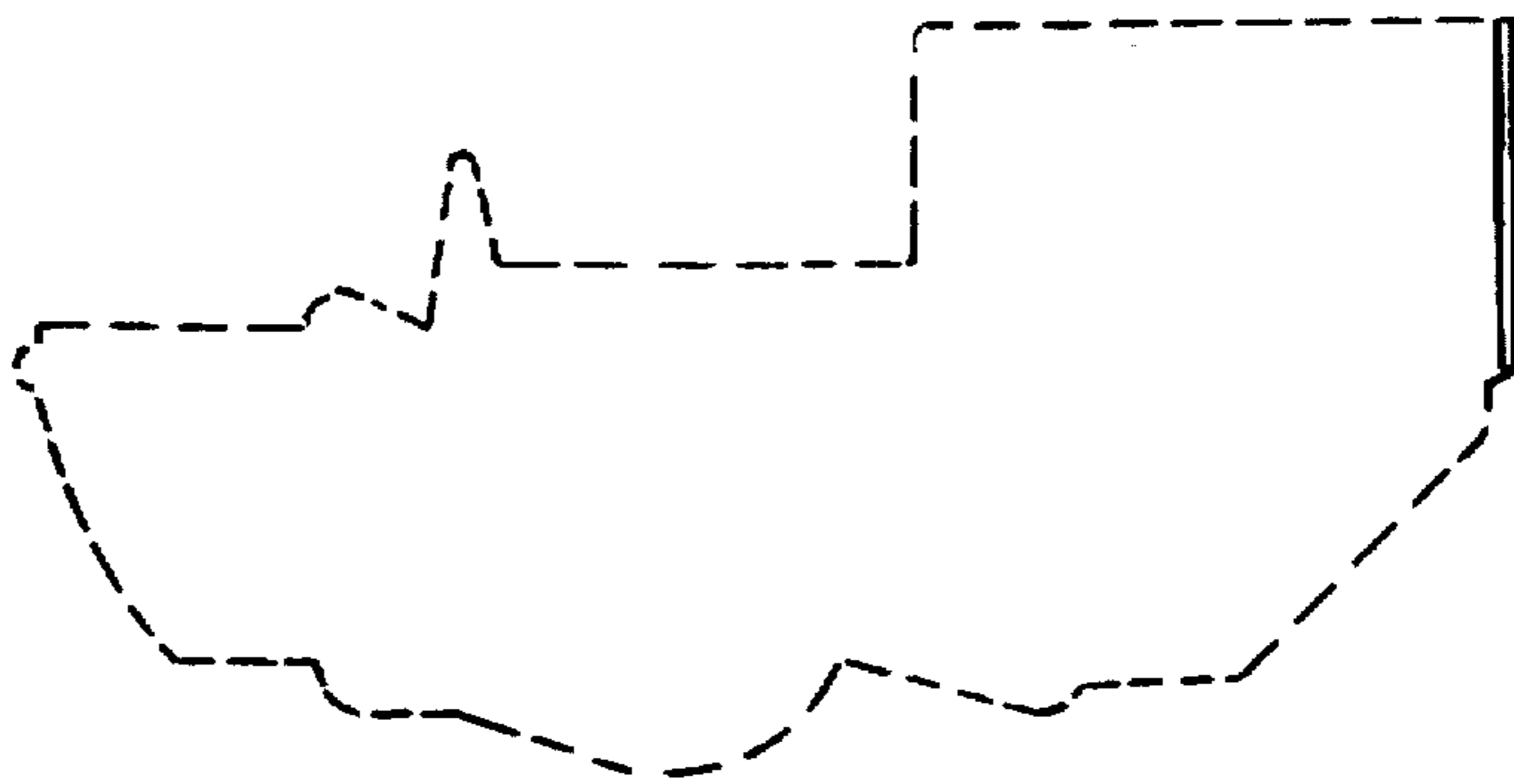


FIG. 6

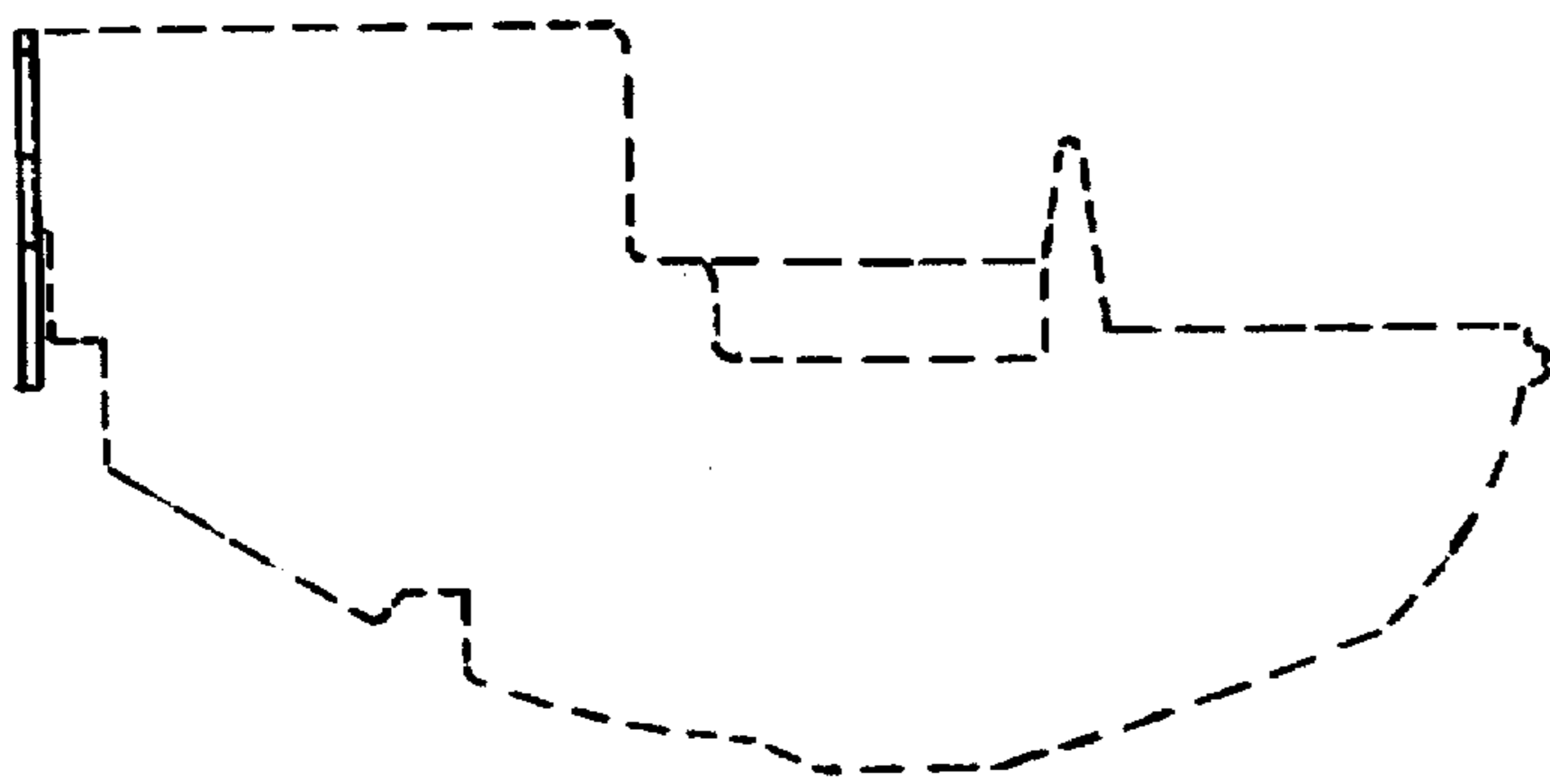


FIG. 7