



US00D385571S

United States Patent [19]

[11] Patent Number: **Des. 385,571**

Abrams

[45] Date of Patent: ****Oct. 28, 1997**

[54] **BABY MONITOR TELEVISION CAMERA**

[75] Inventor: **Randy L. Abrams, Leominster, Mass.**

[73] Assignee: **Safety 1st, Inc., Chestnut Hill, Mass.**

[**] Term: **14 Years**

[21] Appl. No.: **58,787**

[22] Filed: **Aug. 22, 1996**

[51] LOC (6) Cl. **16-01**

[52] U.S. Cl. **D16/203**

[58] Field of Search **D16/200-205;**
348/143, 373-376; 358/906, 909.1; 396/419,
424, 427; H04N 2/225

[56] **References Cited**

U.S. PATENT DOCUMENTS

D. 262,117	12/1981	Sasaki	D16/203
D. 315,742	3/1991	Mastsumoto	D16/205
3,285,151	11/1966	Black	348/143
4,618,886	10/1986	Mooney	348/143
5,587,740	12/1996	Brennan	348/373

OTHER PUBLICATIONS

The Washington Post Dec. 3, 1970, p. A16 (picturephone).
Harris Corporation Catalog, 1990 (cover page).

Primary Examiner—Philip S. Hyder
Assistant Examiner—Adir Aronovich
Attorney, Agent, or Firm—Wolf, Greenfield & Sacks, P.C.

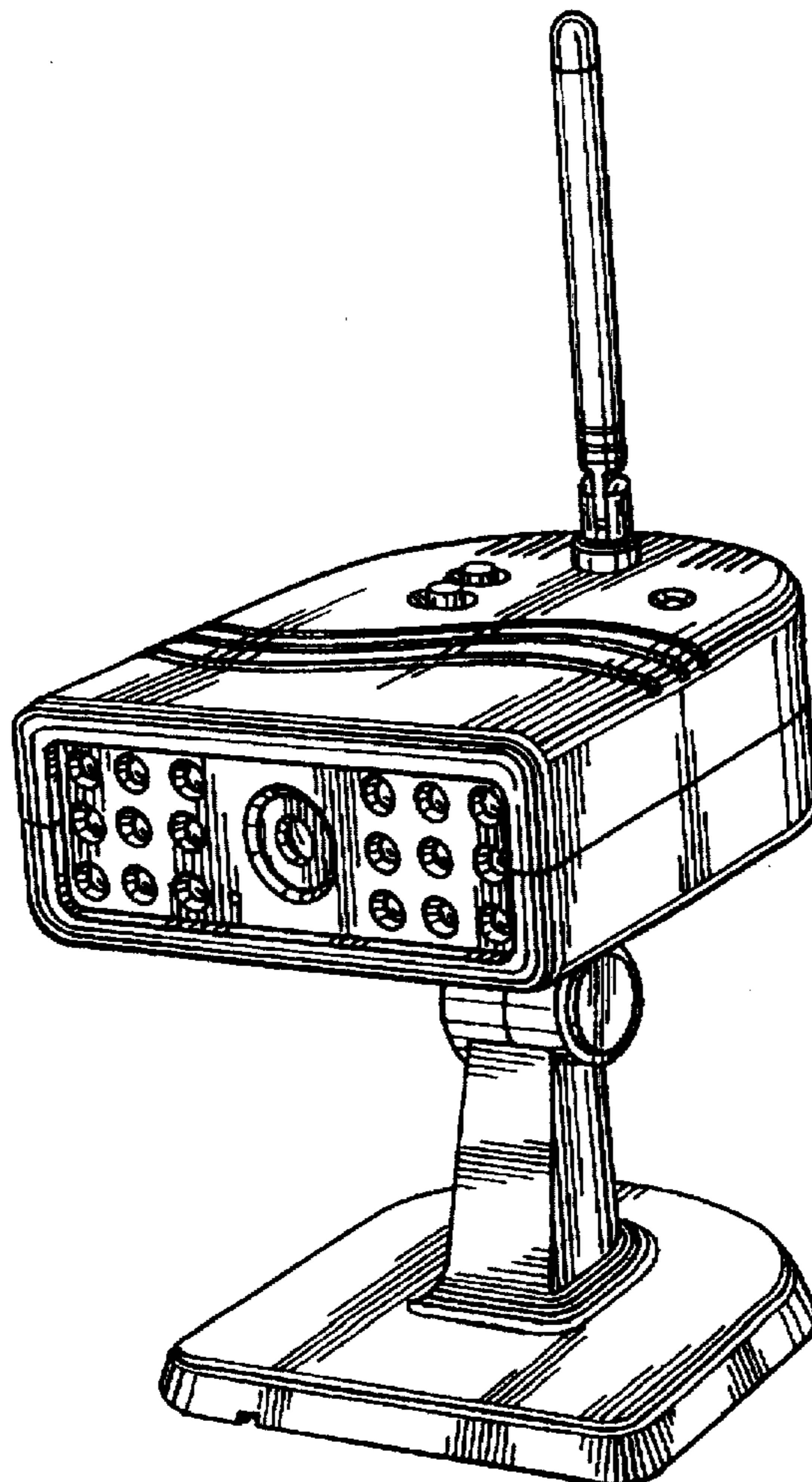
[57] **CLAIM**

The ornamental design for a baby monitor television camera, as shown and described.

DESCRIPTION

FIG. 1 is a perspective view of a baby monitor television camera embodying my new design;
FIG. 2 is a front elevation view thereof;
FIG. 3 is a right side elevation view thereof;
FIG. 4 is a left side elevation view thereof;
FIG. 5 is a rear elevation view thereof;
FIG. 6 is a top plan view thereof; and,
FIG. 7 is a bottom plan view thereof.

1 Claim, 2 Drawing Sheets



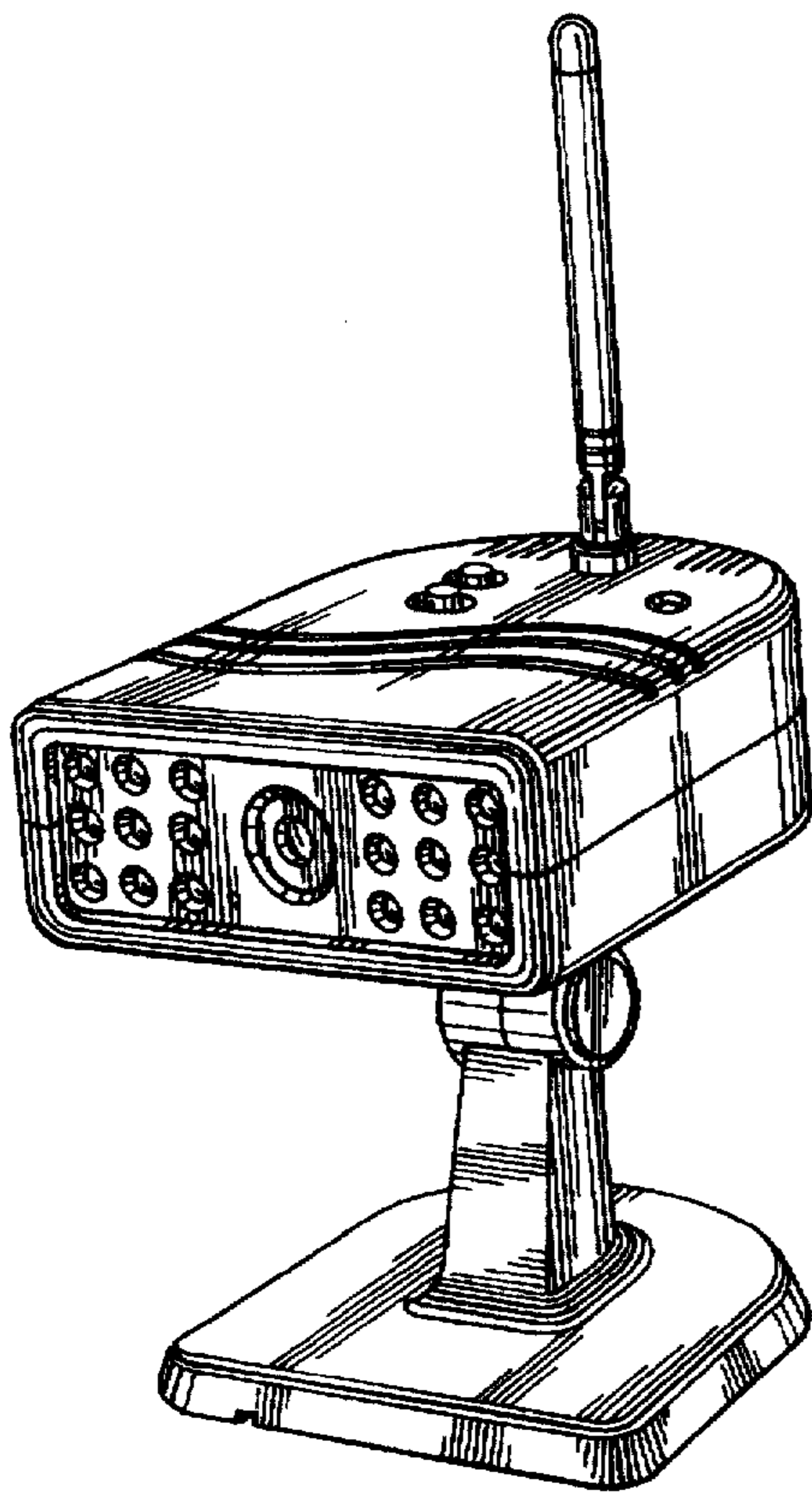


Fig. 1

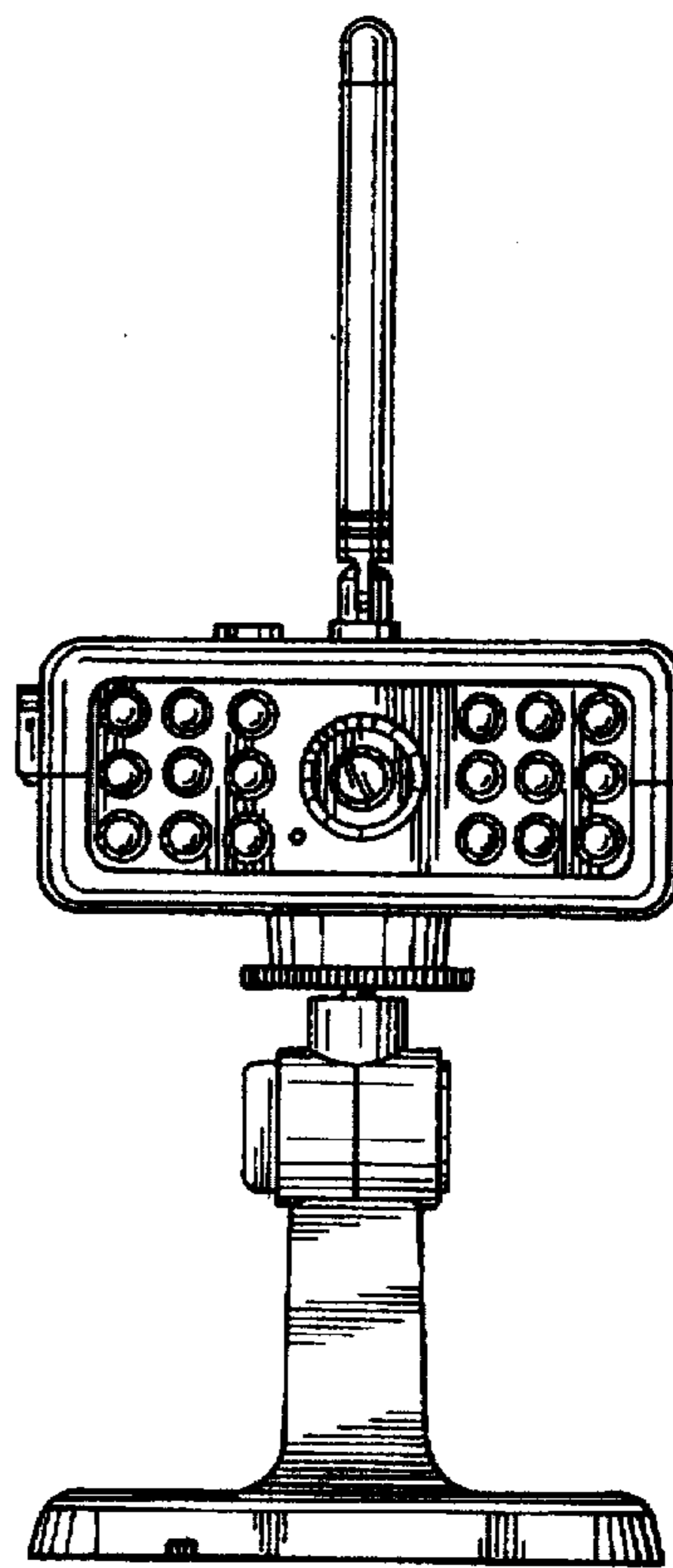


Fig. 2

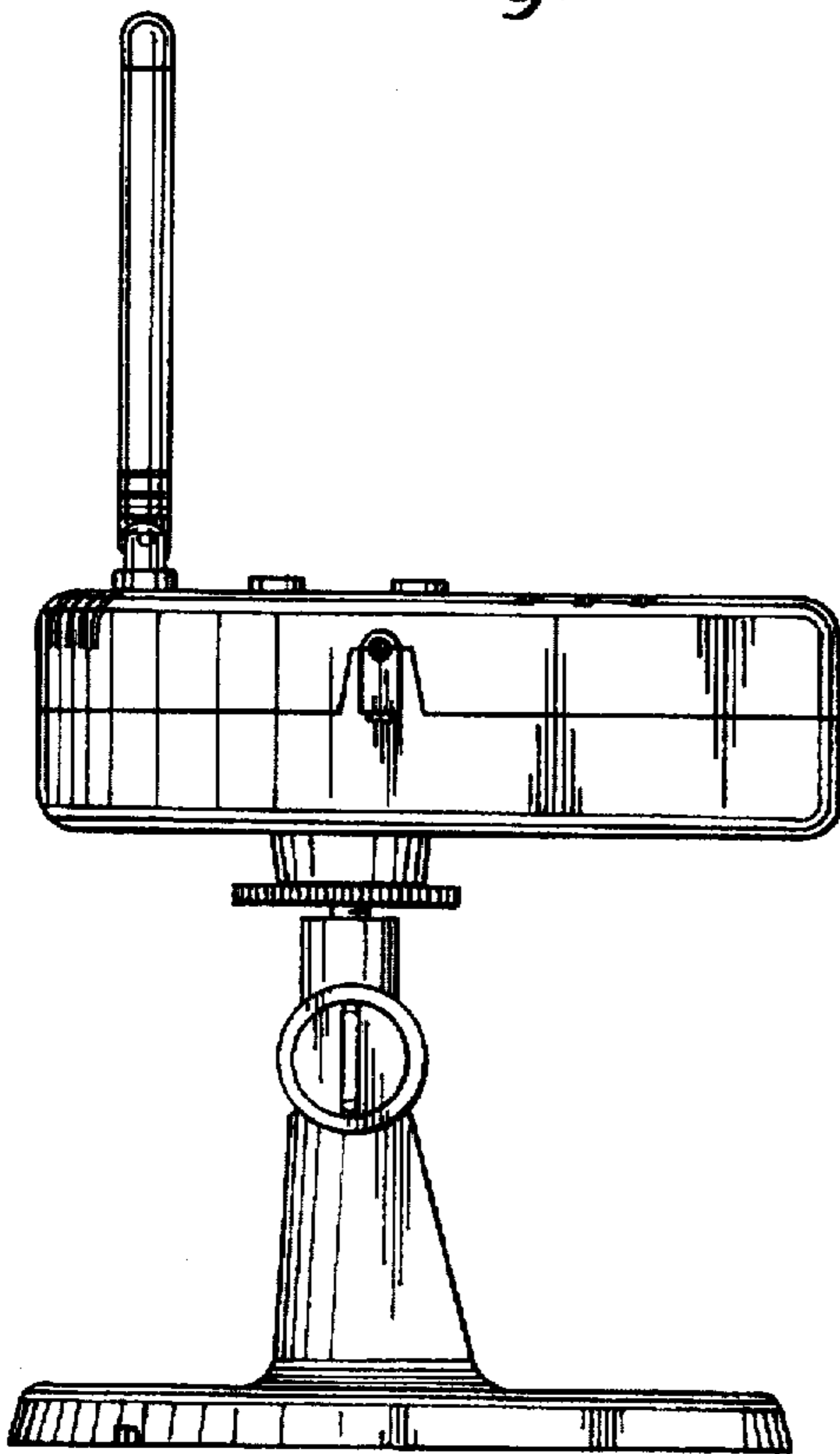


Fig. 3

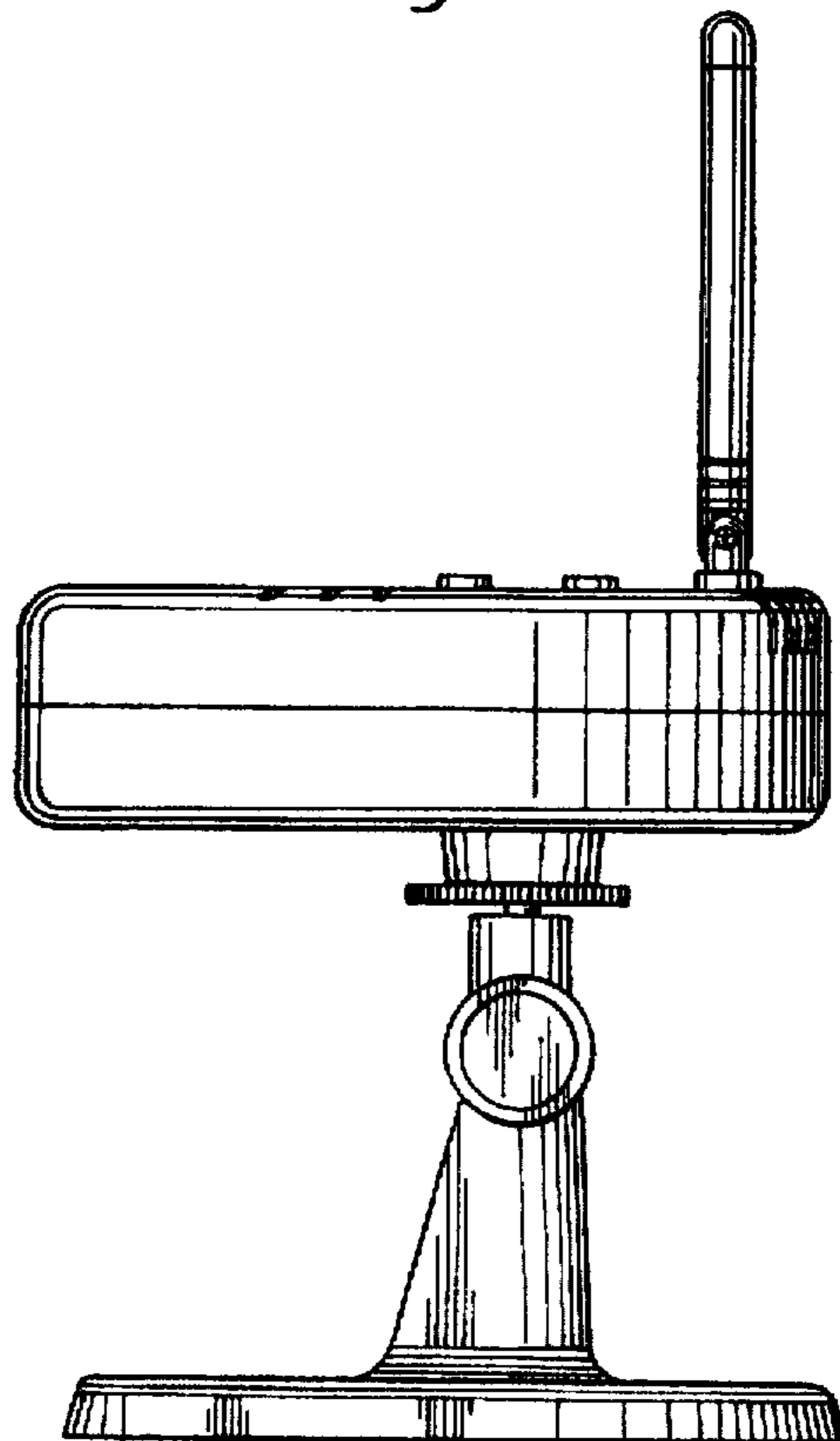


Fig. 4

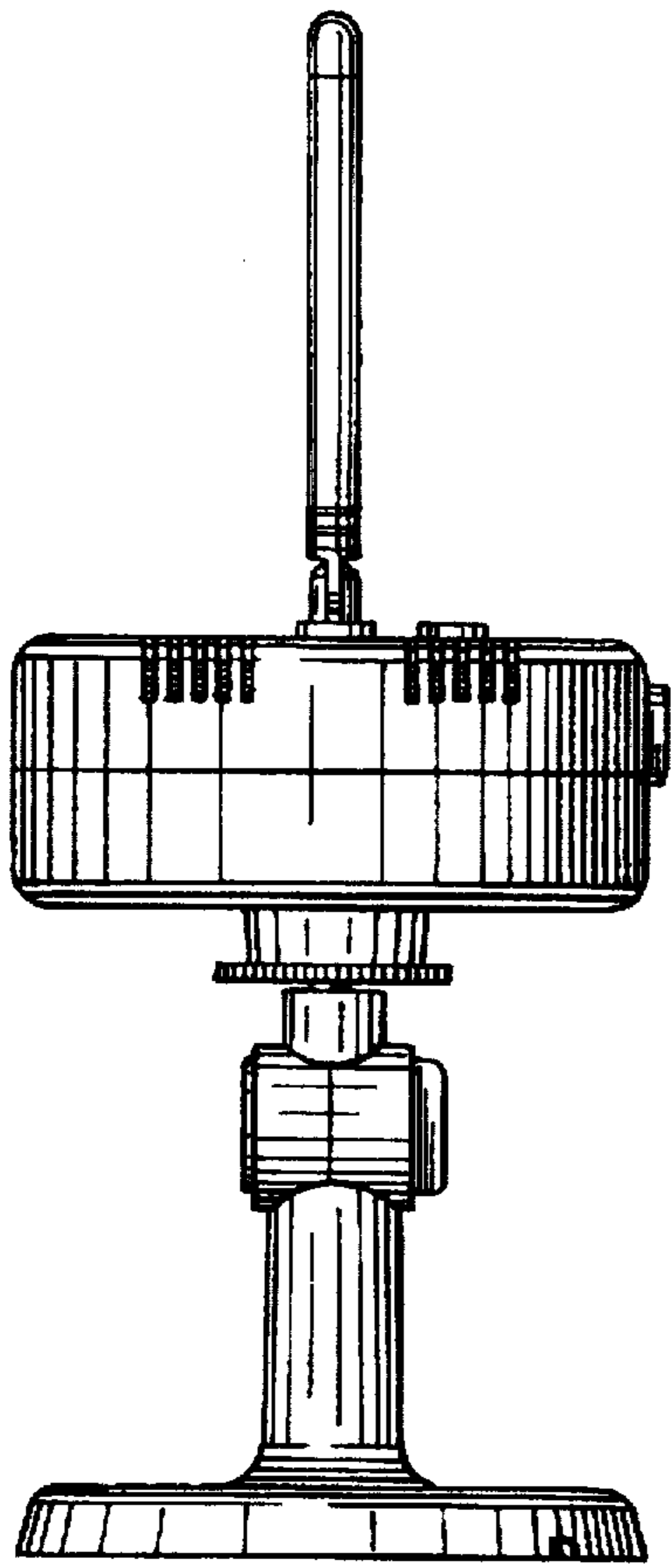


Fig. 5

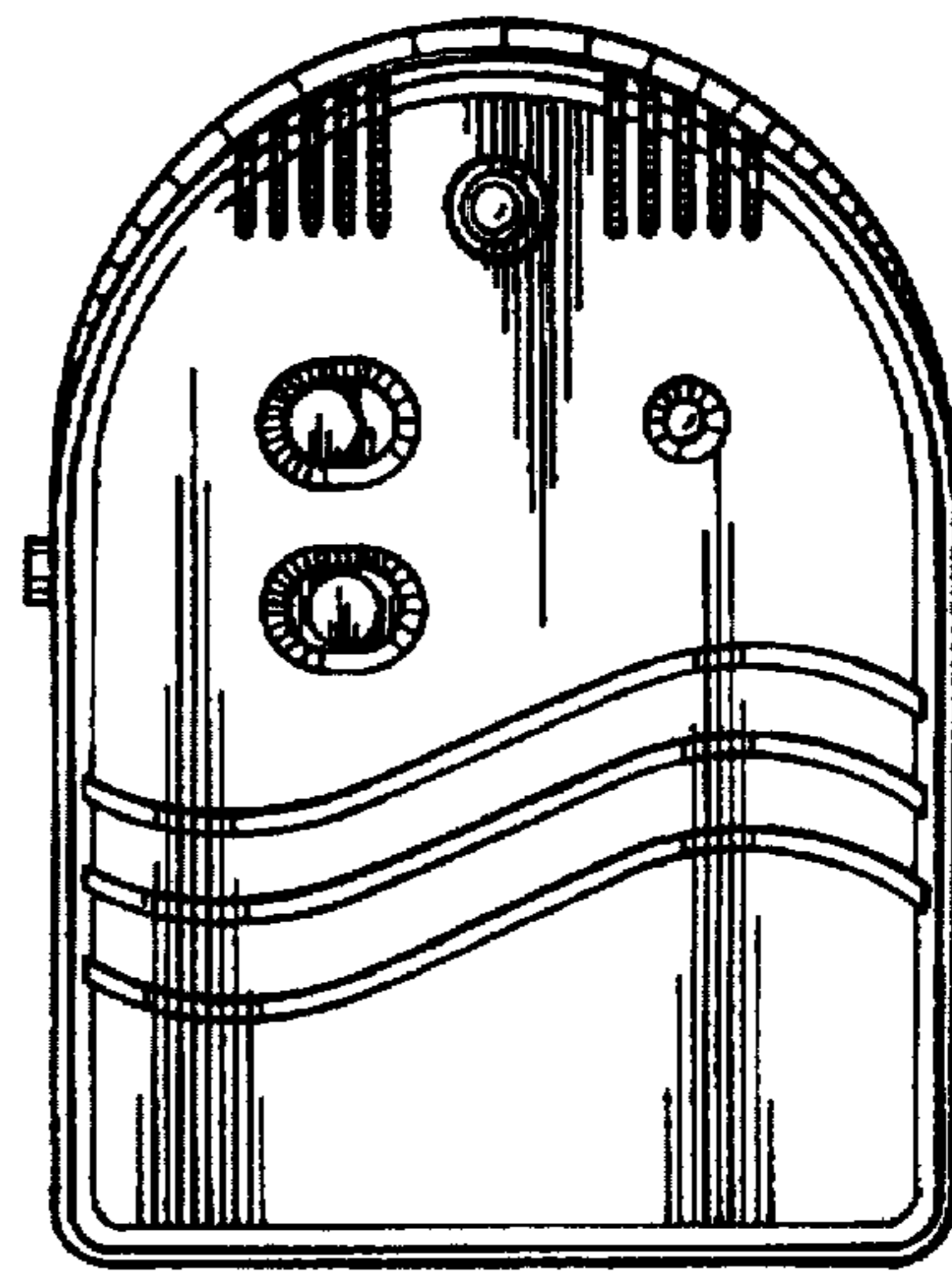


Fig. 6

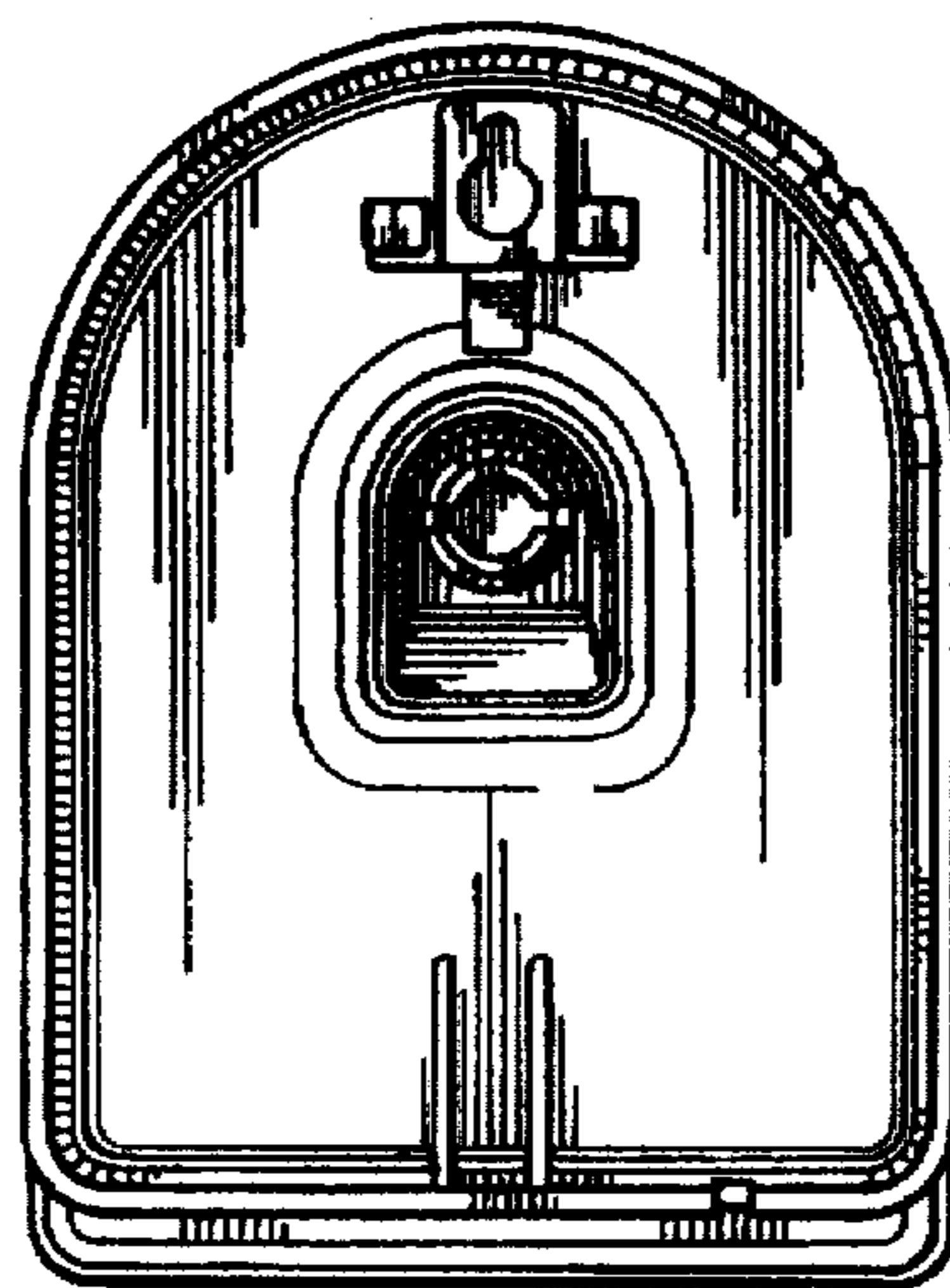


Fig. 7