

US00D385570S

**United States Patent** [19]  
**Ishii**

[11] **Patent Number: Des. 385,570**

[45] **Date of Patent: \*\*Oct. 28, 1997**

[54] **VIDEO CAMERA**

[75] **Inventor: Daisuke Ishii, Tokyo, Japan**  
[73] **Assignee: Sony Corporation, Tokyo, Japan**  
[\*\*] **Term: 14 Years**

[21] **Appl. No.: 59,199**  
[22] **Filed: Sep. 5, 1996**

**Related U.S. Application Data**

[63] **Continuation-in-part of Ser. No. 35,625, Mar. 3, 1995, Pat. No. Des. 375,318.**

[51] **LOC (6) Cl. .... 16-01**  
[52] **U.S. Cl. .... D16/202**  
[58] **Field of Search .... D16/200-208;**  
**348/373-376; 358/906; 396/29, 190, 535-543;**  
**H04N 2/225**

[56] **References Cited**

**U.S. PATENT DOCUMENTS**

D. 342,540 12/1993 Mori et al. .... D16/202  
D. 356,325 3/1995 Sogabe ..... D16/202  
D. 356,807 3/1995 Sato et al. .... D16/202  
D. 365,354 12/1995 Sung ..... D16/202  
D. 372,255 7/1996 Nakamura ..... D16/202

**FOREIGN PATENT DOCUMENTS**

4-84571 3/1992 Japan ..... H04N 5/225  
6-54240 2/1994 Japan ..... H04N 5/225

**OTHER PUBLICATIONS**

VIVA VIDEO, Apr. 30, 1990 p. 68 (Videocamera GR-A1).

*Primary Examiner*—Philip S. Hyder  
*Assistant Examiner*—Adir Aronovich  
*Attorney, Agent, or Firm*—Foley & Lardner

[57] **CLAIM**

The ornamental design for a video camera, as shown and described.

**DESCRIPTION**

FIG. 1 is a top, front perspective view of a combined video tape recorder and camera showing my new design;  
FIG. 2 is a top, rear perspective view thereof, the viewing screen shown in an open position;  
FIG. 3 is a top, rear perspective view thereof, the viewing screen shown in the first alternate position;  
FIG. 4 is a top plan view thereof;  
FIG. 5 is a left side elevational view thereof;  
FIG. 6 is a front elevational view thereof;  
FIG. 7 is a right side elevational view thereof;  
FIG. 8 is a bottom plan view thereof;  
FIG. 9 is a rear elevational view thereof; and,  
FIG. 10 is a top, rear perspective view thereof, the viewing screen shown in the second alternate position.

**1 Claim, 4 Drawing Sheets**

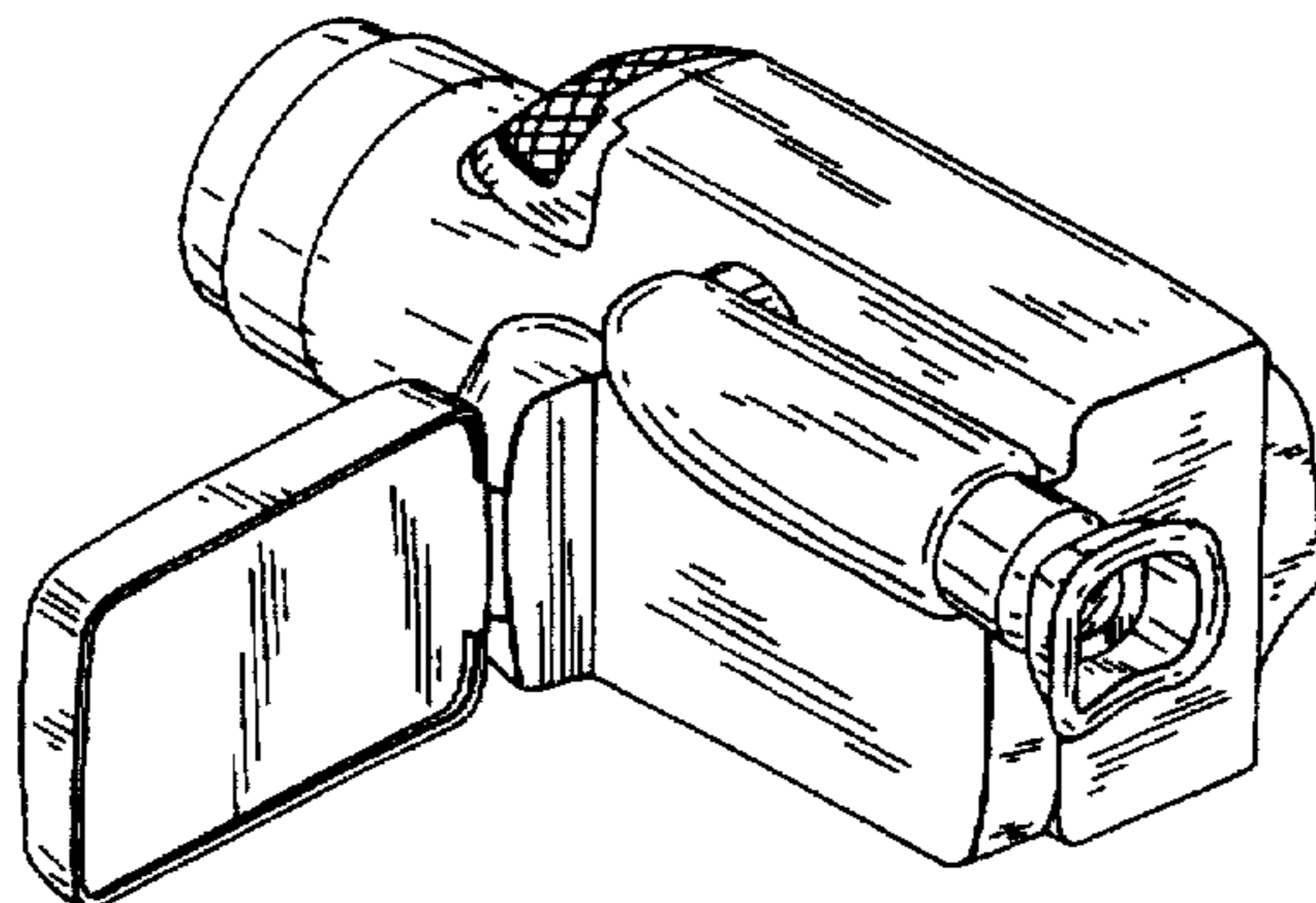
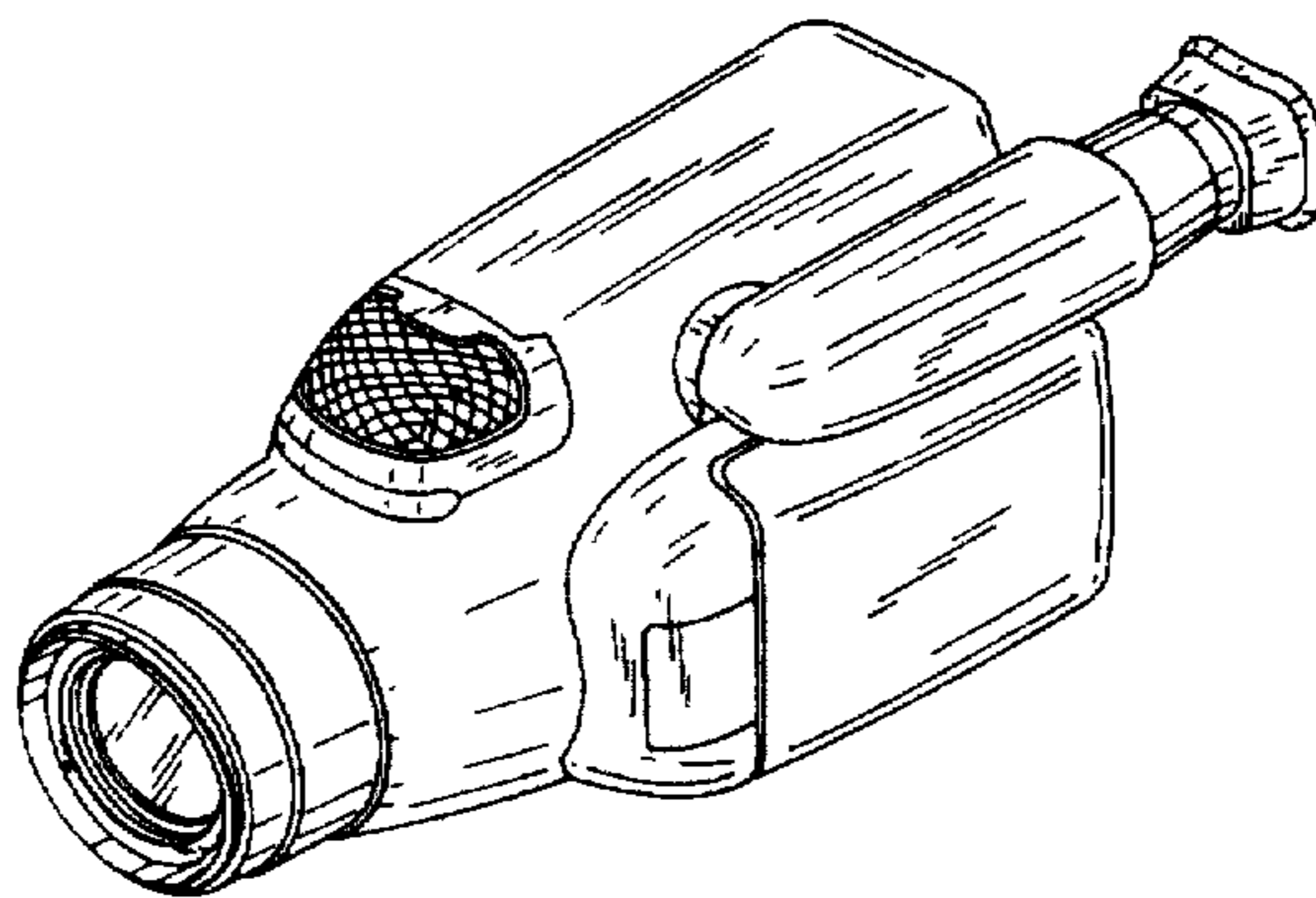


FIG. 2

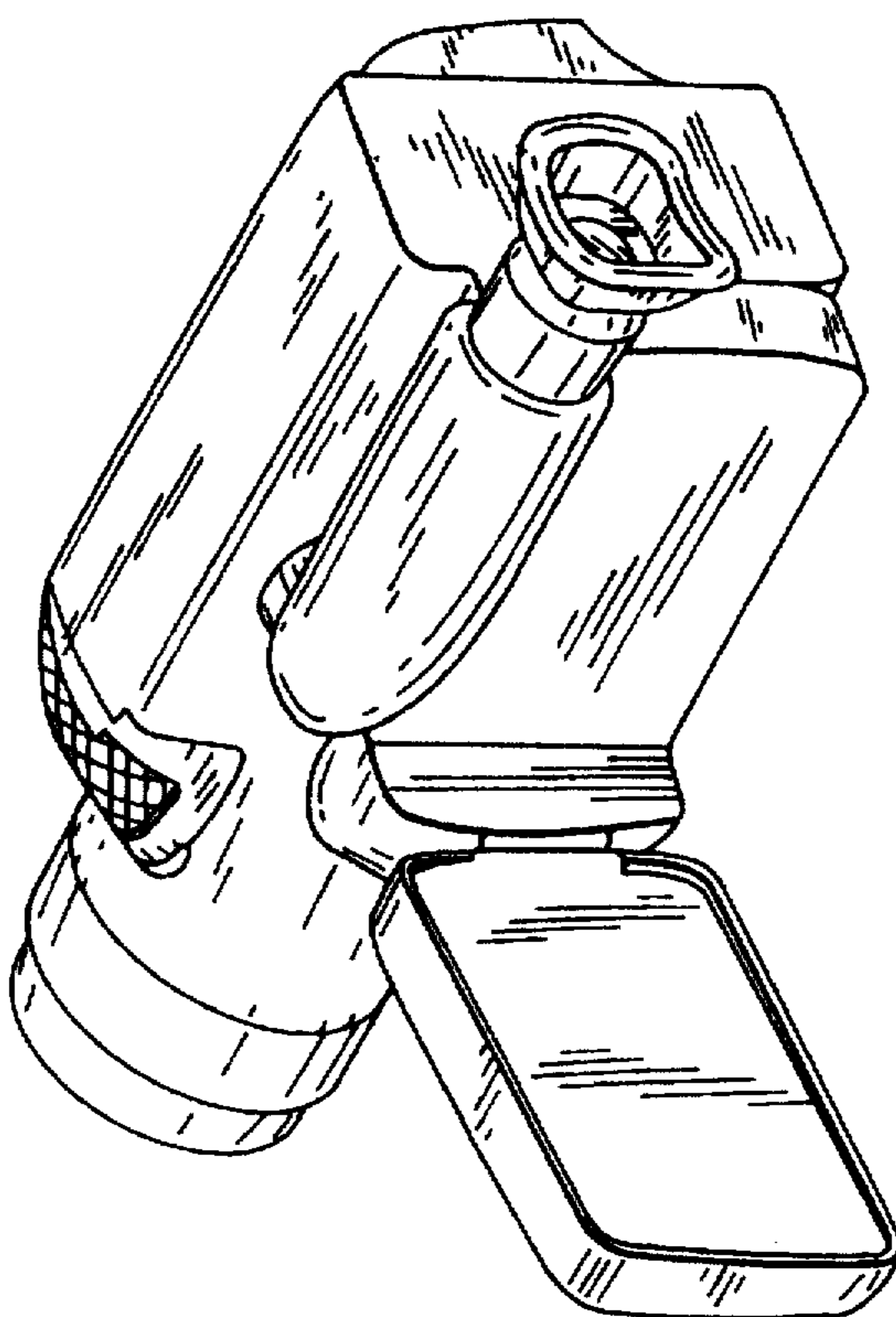


FIG. 1

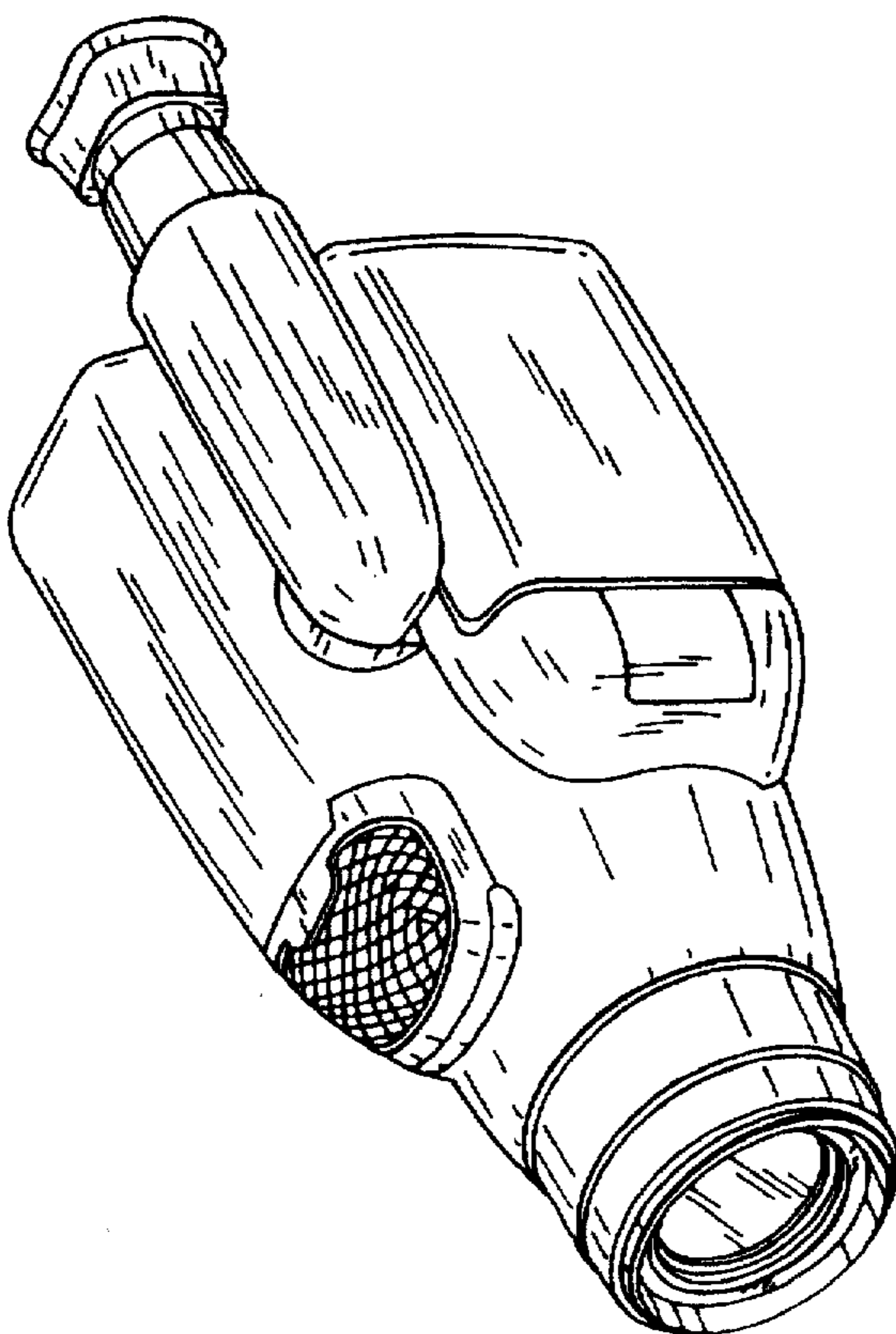


FIG. 3

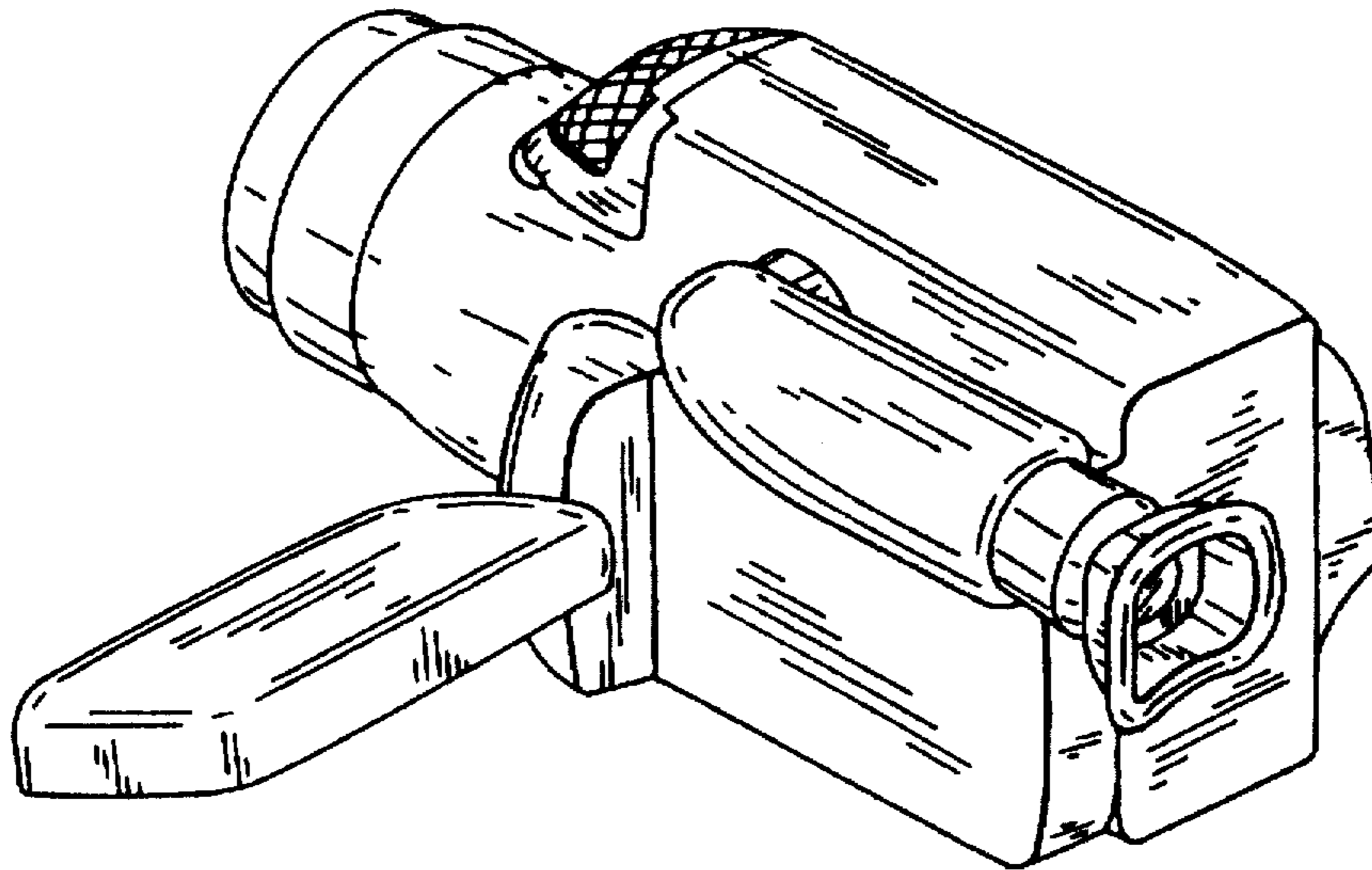


FIG. 4

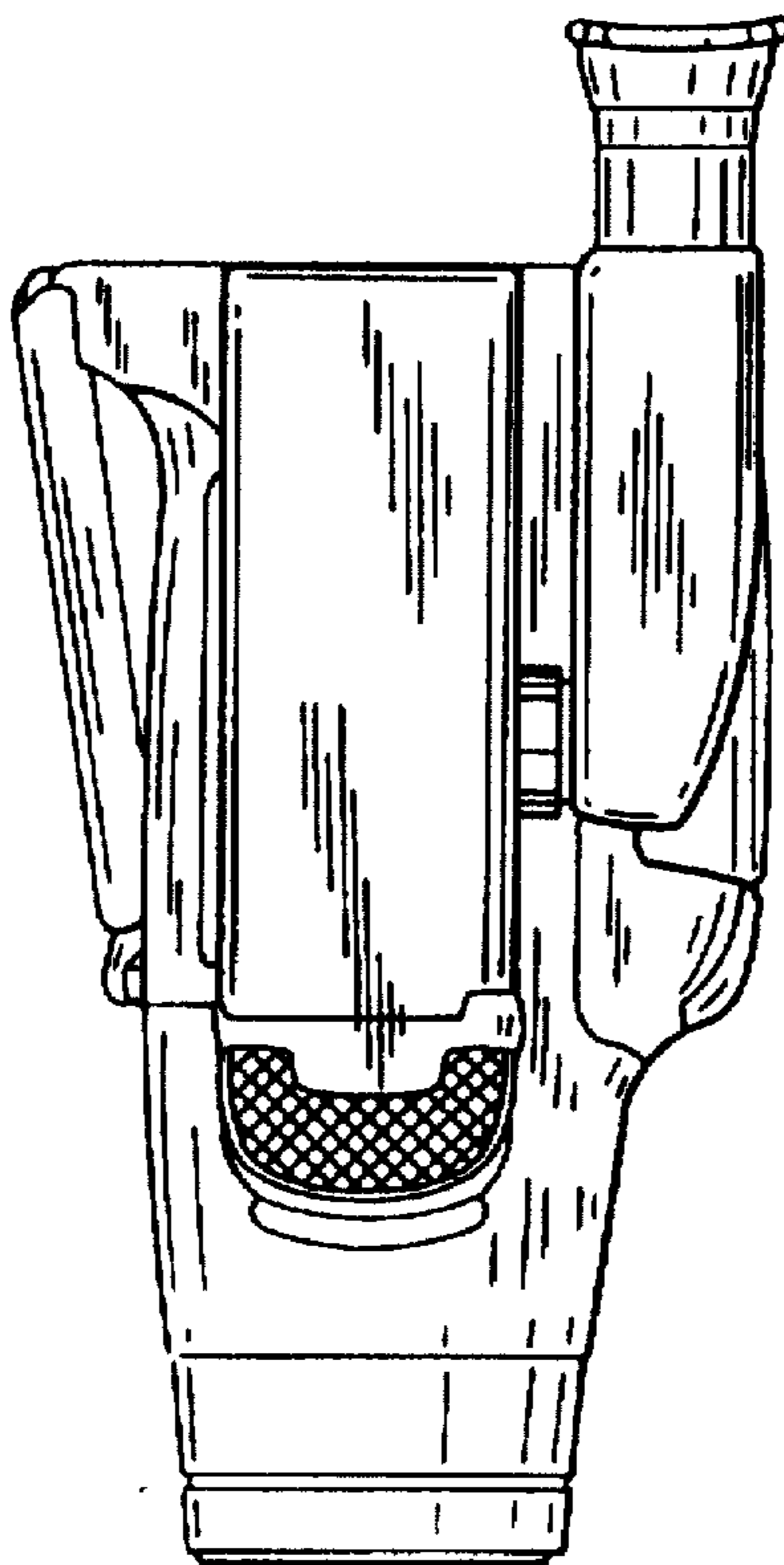




FIG. 5

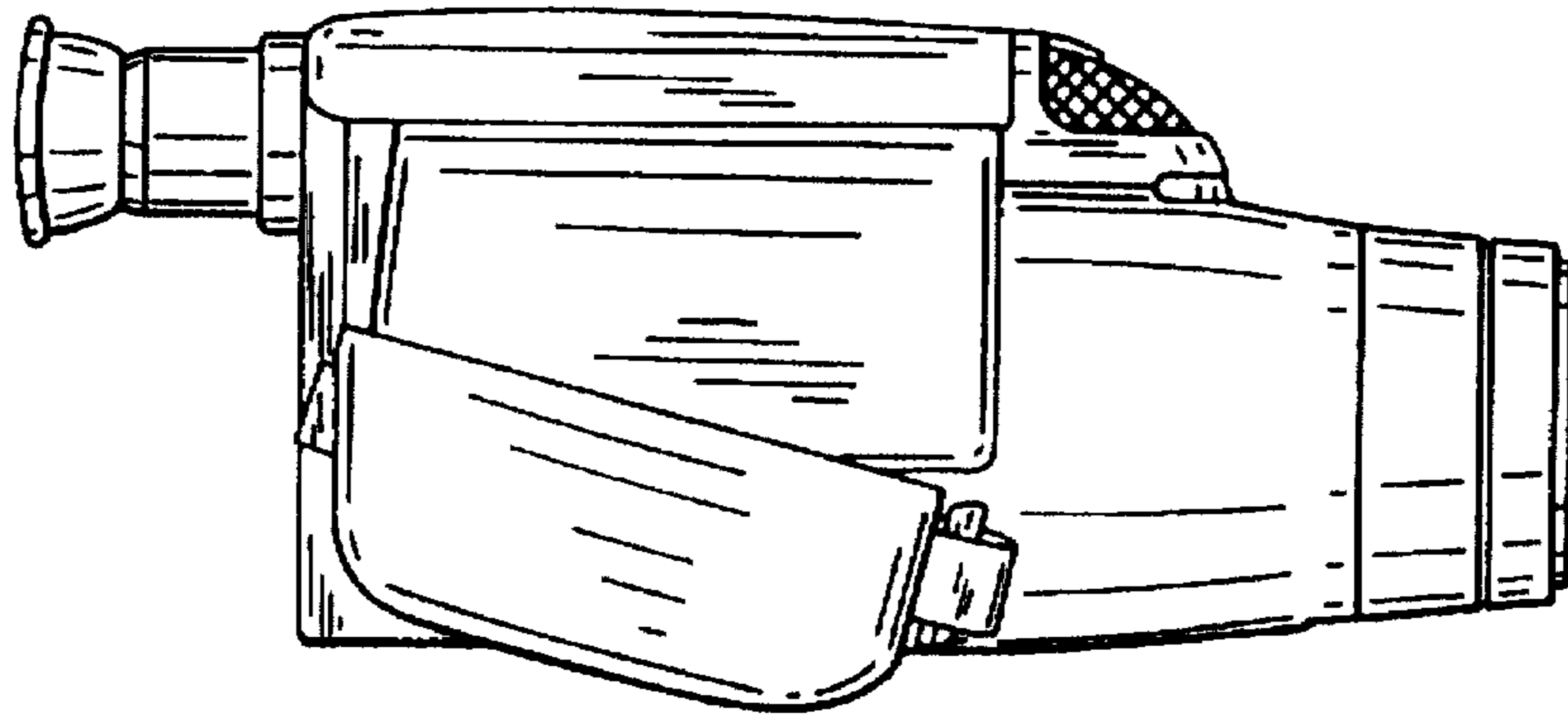


FIG. 6

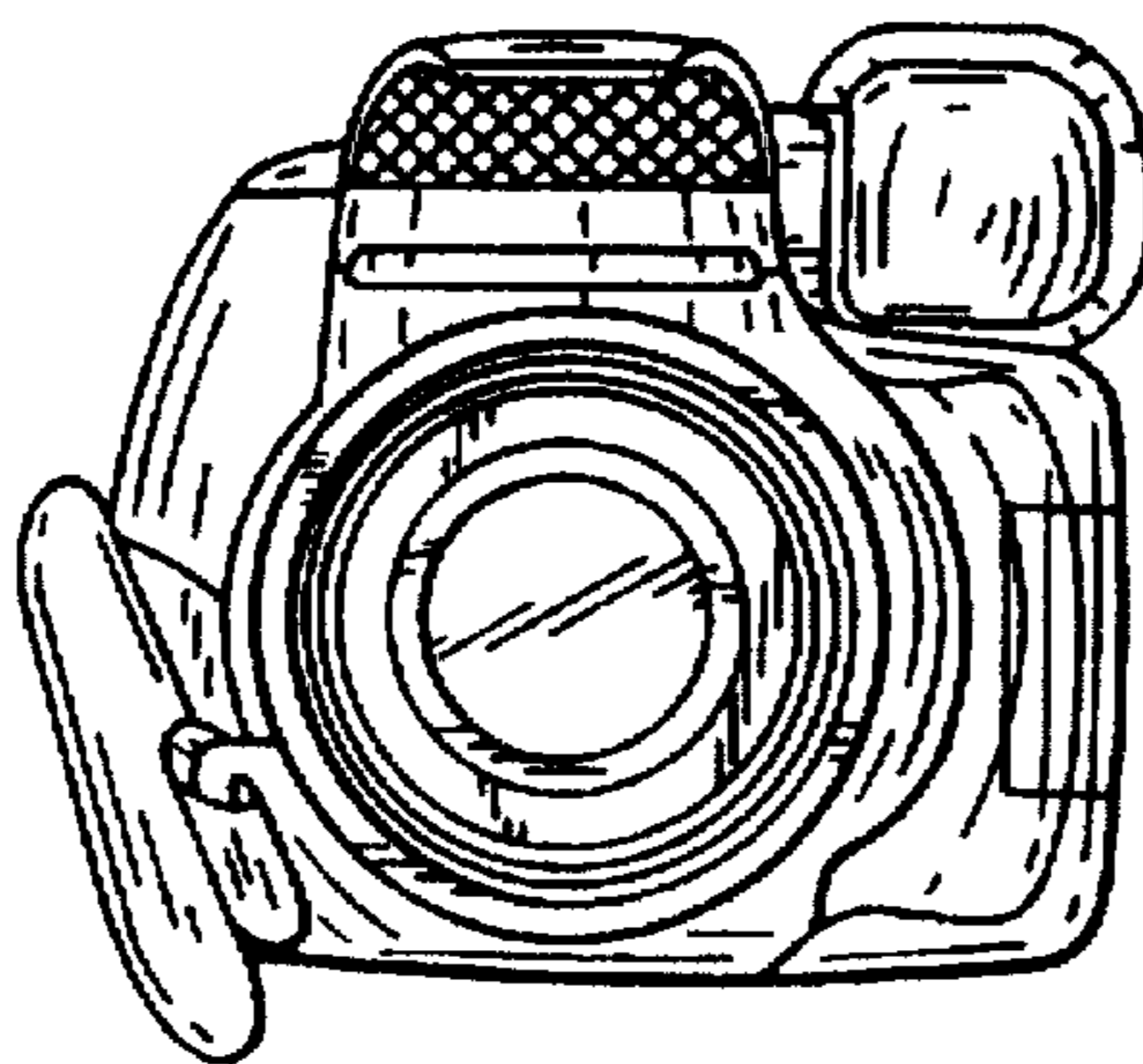
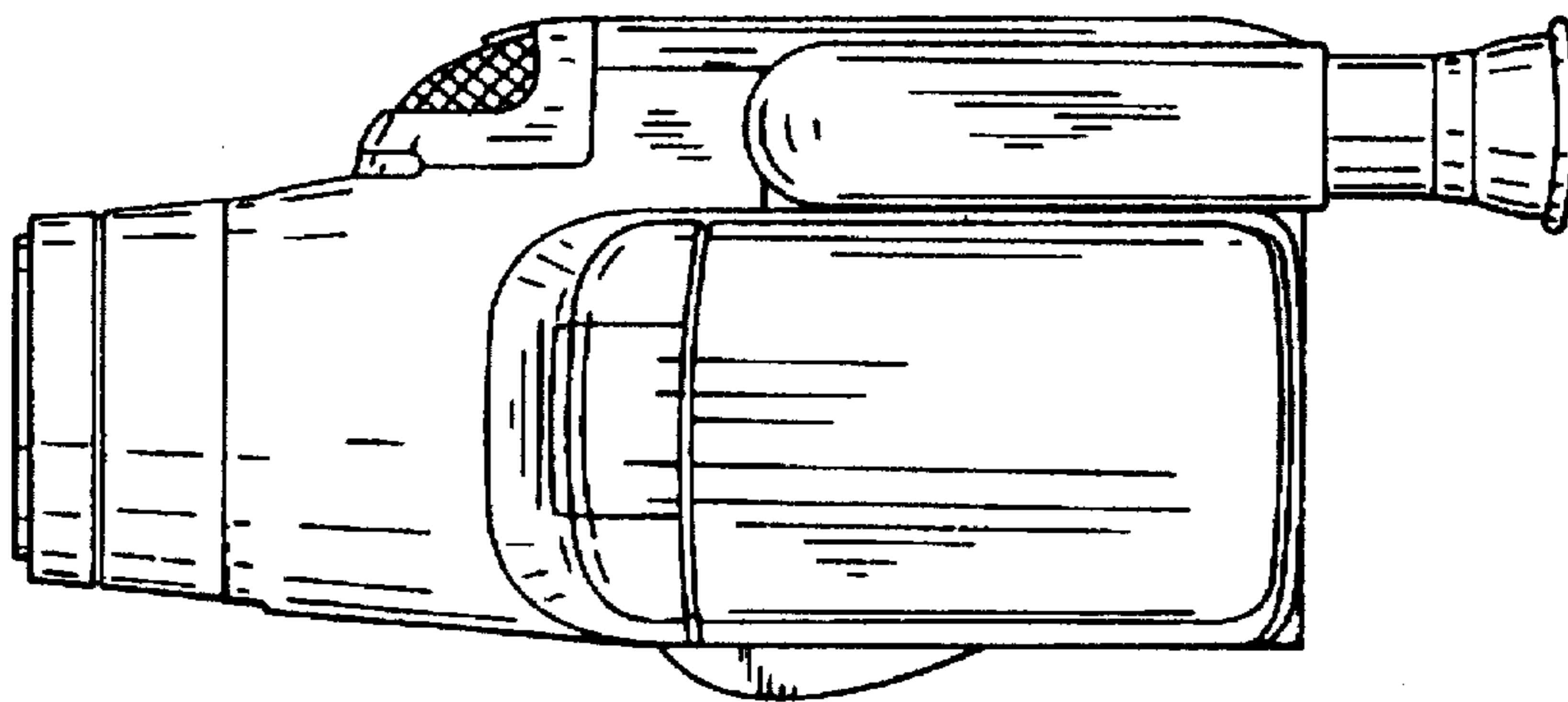


FIG. 7



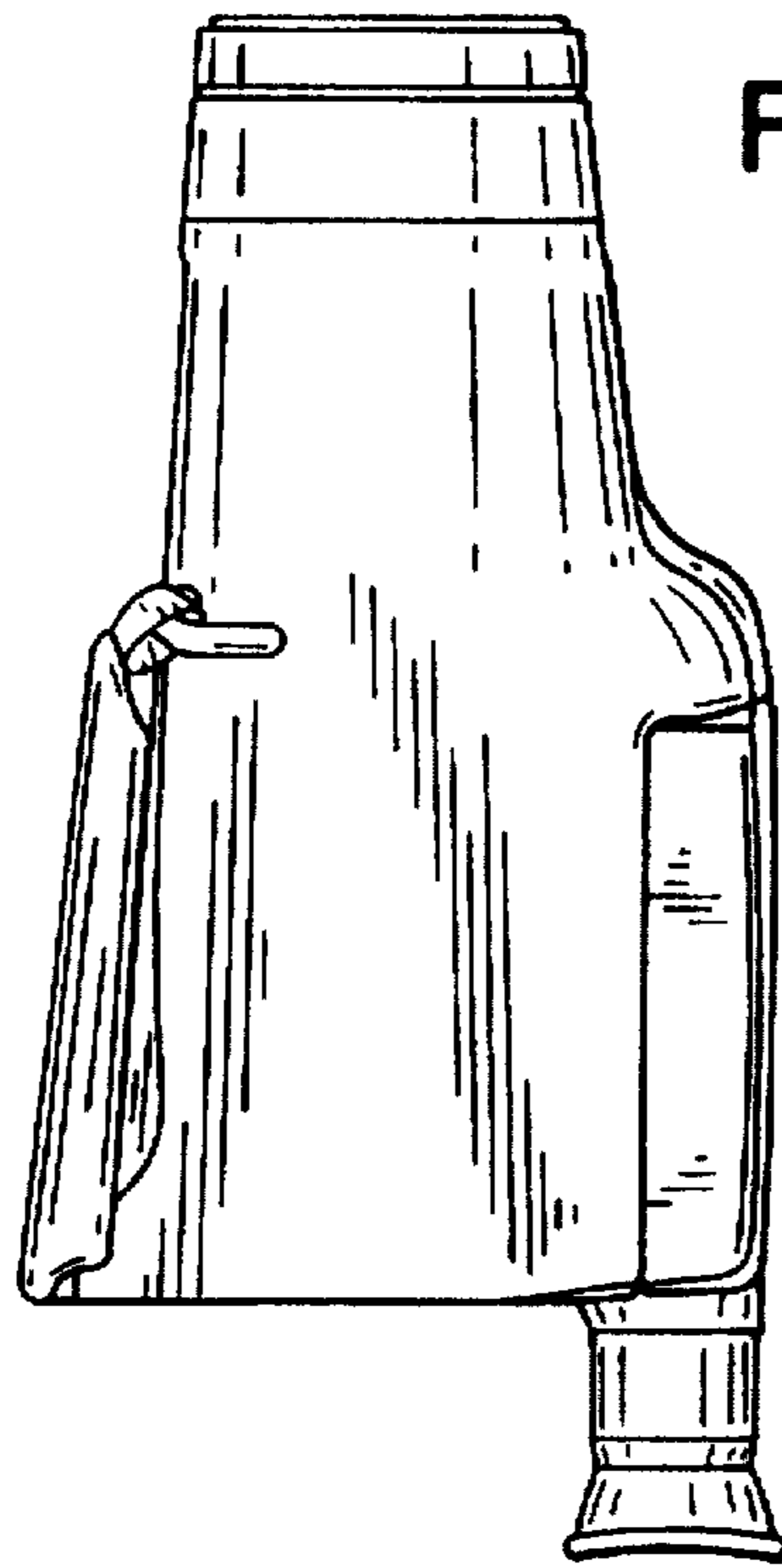


FIG. 8

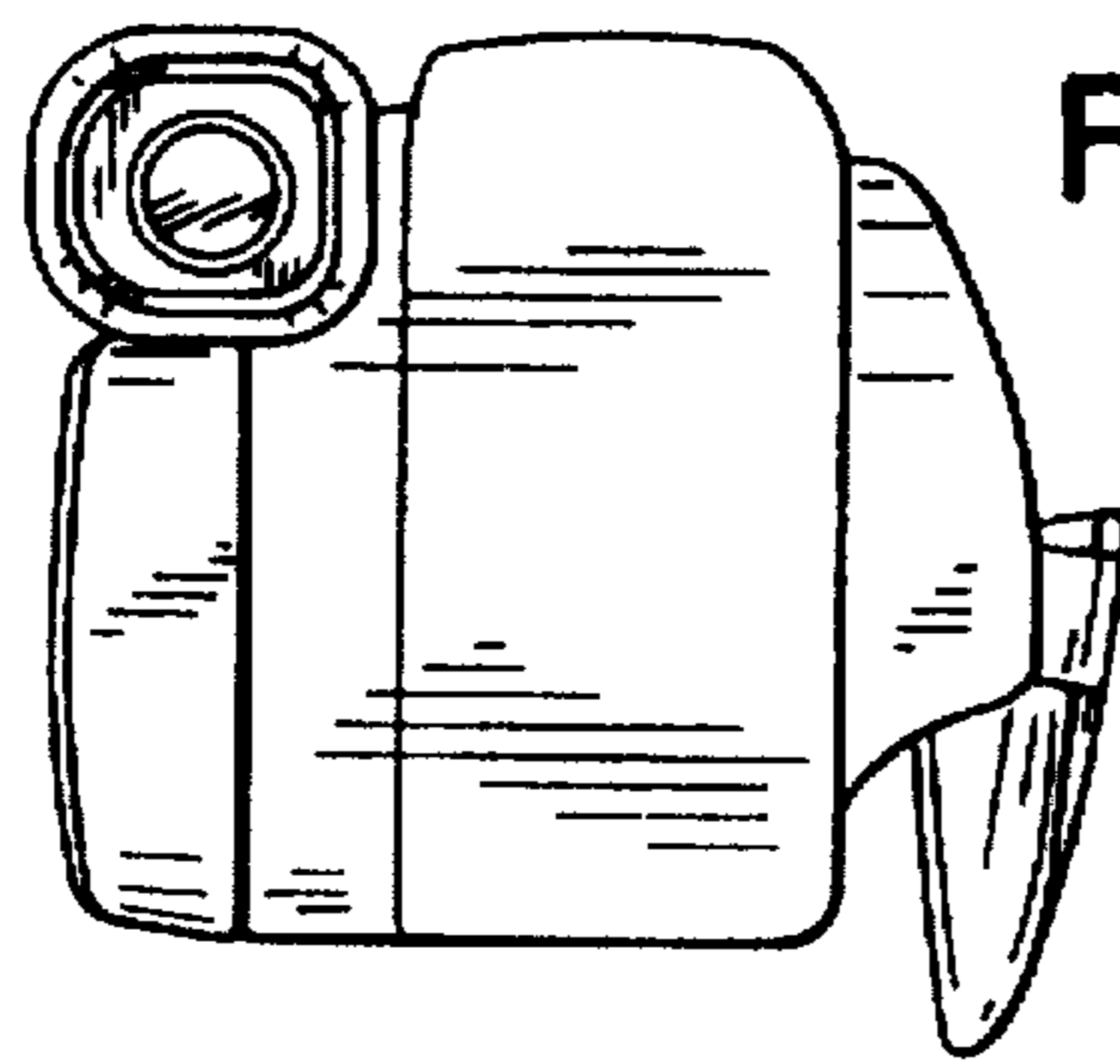


FIG. 9

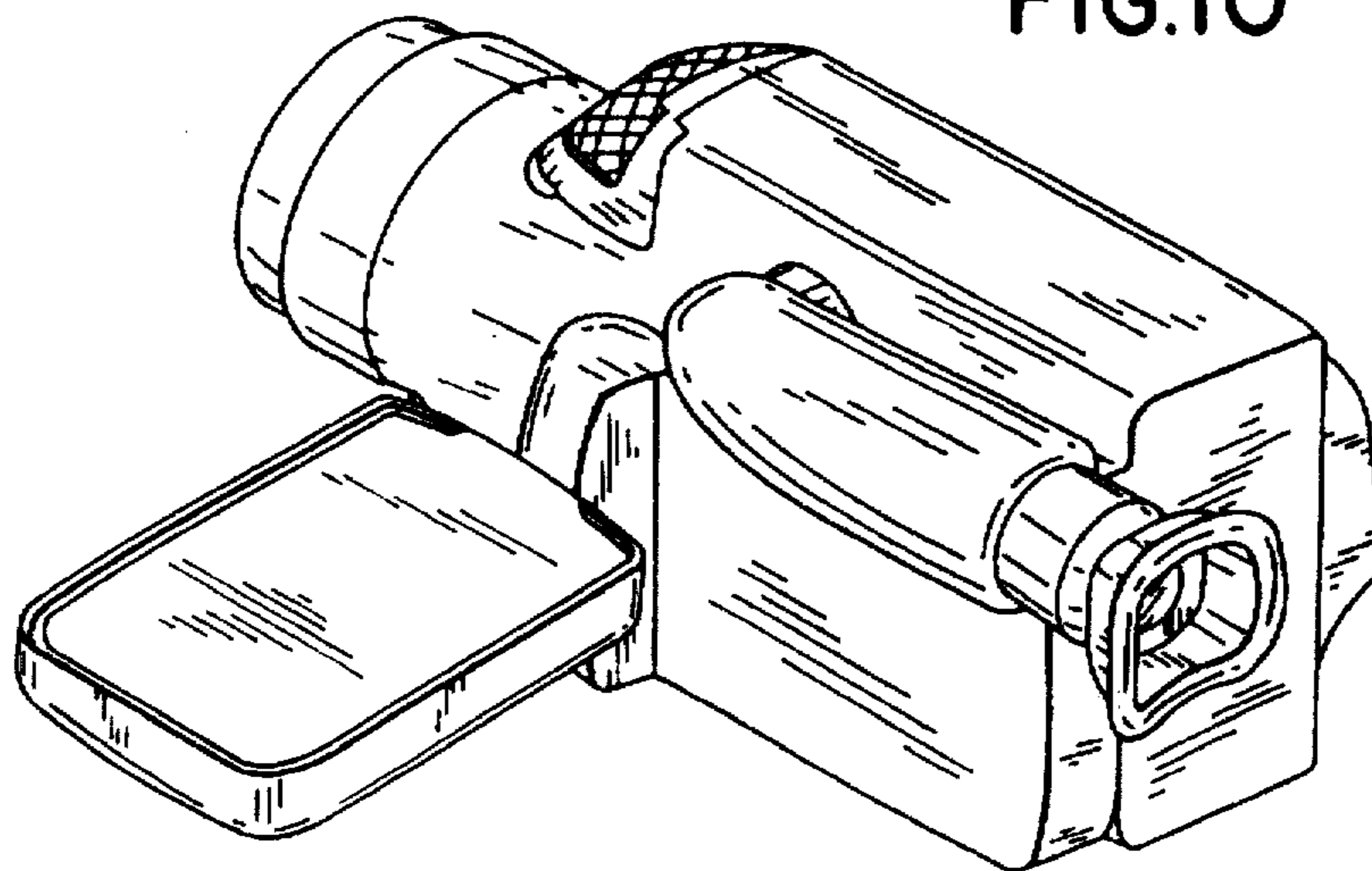


FIG. 10