



US00D385568S

United States Patent [19]

Harata

[11] Patent Number: **Des. 385,568**

[45] Date of Patent: ****Oct. 28, 1997**

[54] **COMBINED VIDEO TAPE RECORDER AND CAMERA**

[75] Inventor: **Tomohiro Harata**, Tokyo, Japan

[73] Assignee: **Sony Corporation**, Tokyo, Japan

[**] Term: **14 Years**

[21] Appl. No.: **49,234**

[22] Filed: **Jan. 22, 1996**

[51] **LOC (6) Cl.** **16-01**

[52] **U.S. Cl.** **D16/202**

[58] **Field of Search** **D16/200-208;**
348/373-376; 354/82, 288; 358/906; H04N 2/225

[56] **References Cited**

U.S. PATENT DOCUMENTS

- D. 355,664 2/1995 Kataoka D16/202
- D. 356,589 3/1995 Sumita D16/202
- D. 365,586 12/1995 Miyashita D16/202

- D. 368,922 4/1996 Tanaka D16/202
- 5,444,507 8/1995 Palmer 354/82

Primary Examiner—Philip S. Hyder
Assistant Examiner—Adir Aronovich
Attorney, Agent, or Firm—Foley & Lardner

[57] **CLAIM**

The ornamental design for a combined video tape recorder and camera, as shown and described.

DESCRIPTION

FIG. 1 is a front perspective view of a combined video tape recorder and camera showing my new design; FIG. 2 is a perspective view thereof, the cover shown in an open position; FIG. 3 is a top plan view thereof; FIG. 4 is a left side elevational view thereof; FIG. 5 is a front elevational view thereof; FIG. 6 is a bottom plan view thereof; FIG. 7 is a right side elevational view thereof; and, FIG. 8 is a rear elevational view thereof.

1 Claim, 4 Drawing Sheets

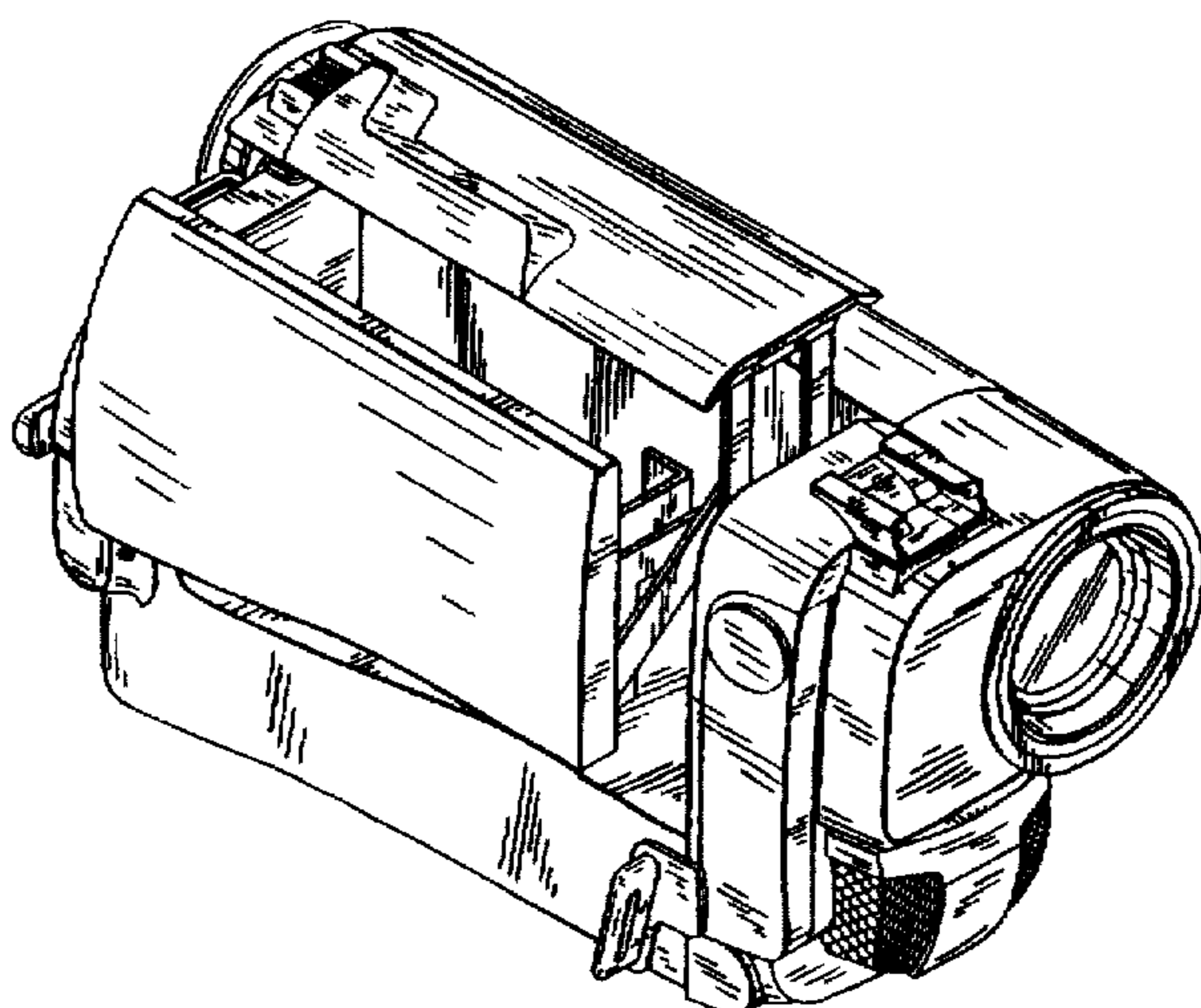
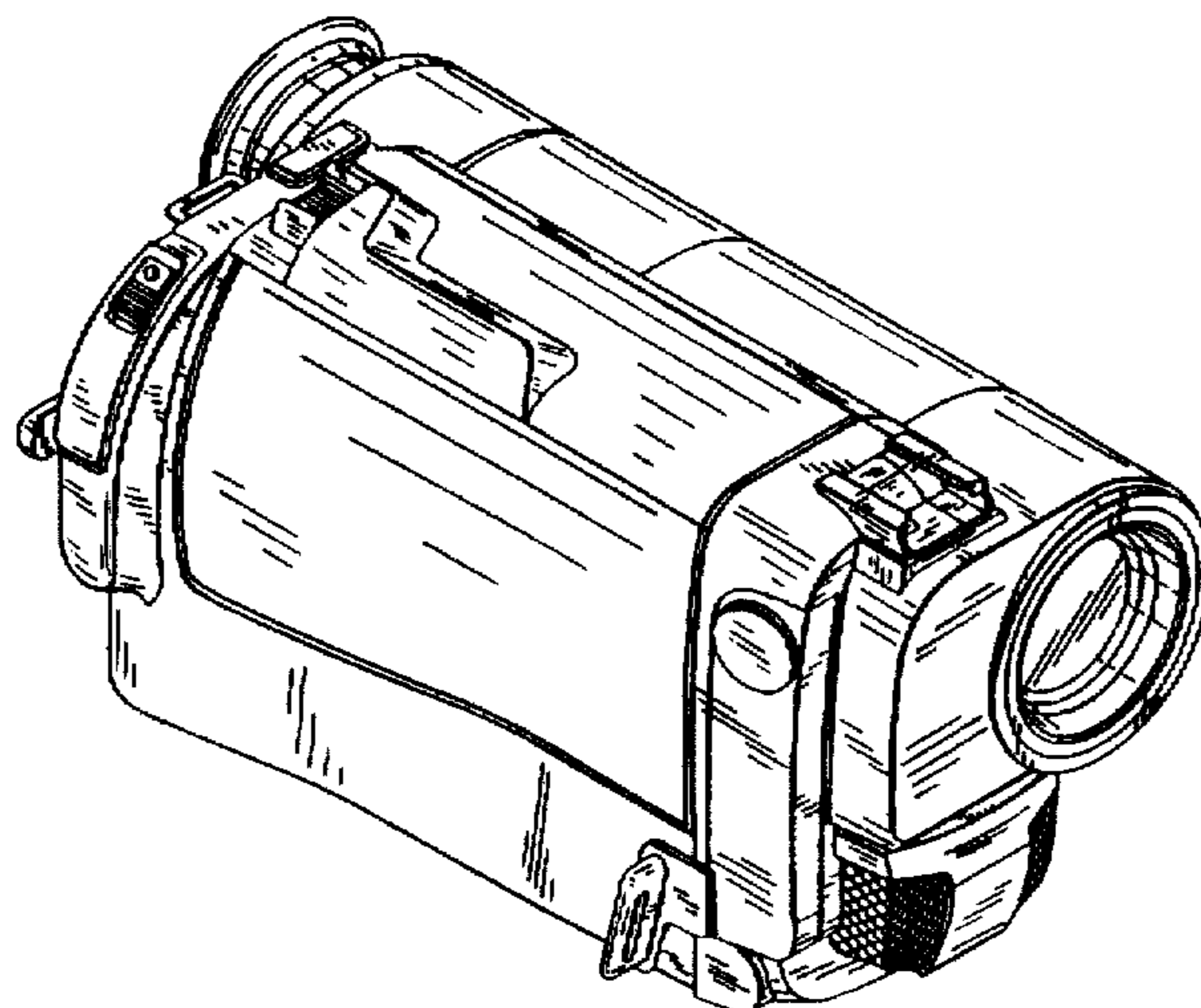


FIG. 1

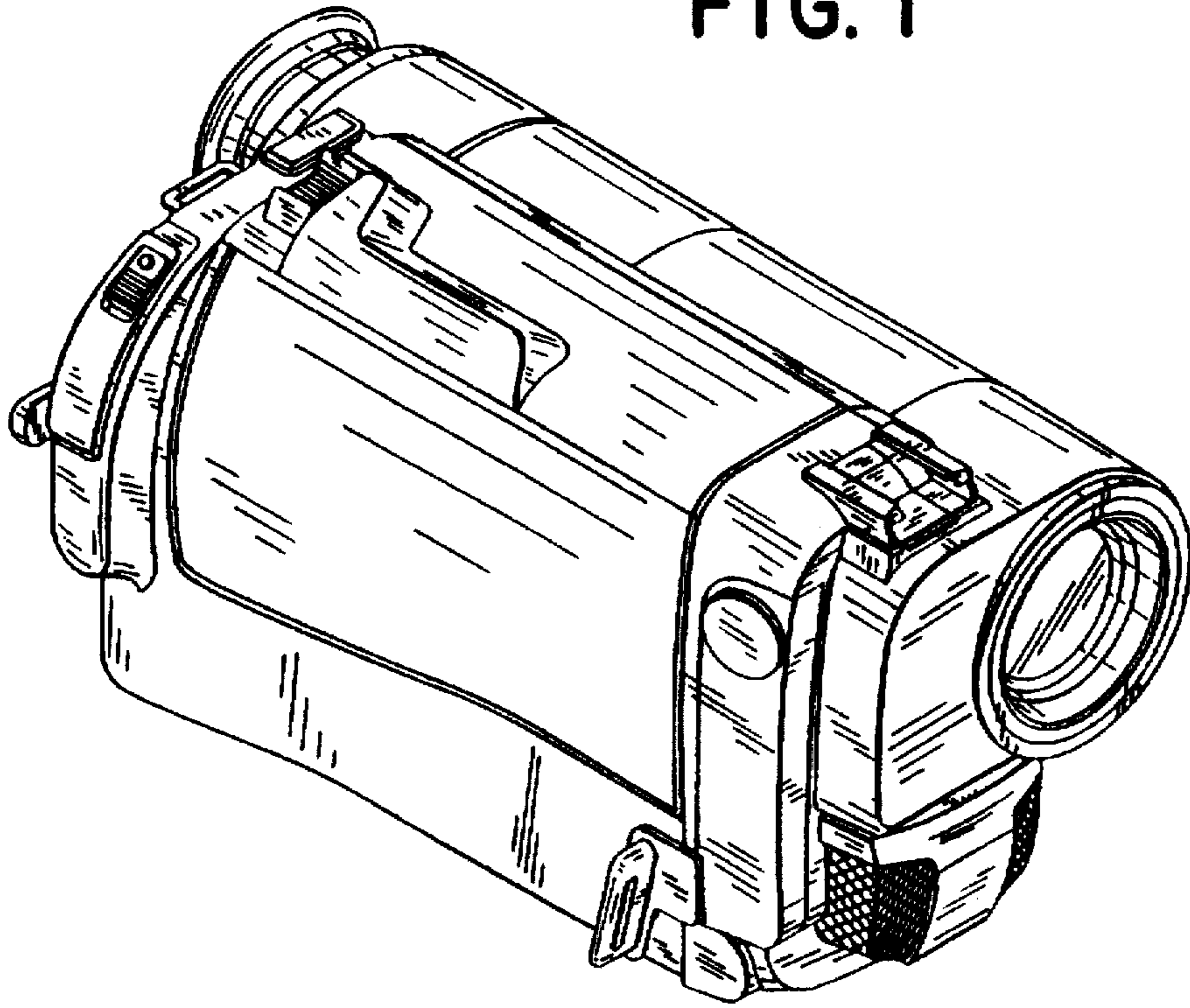


FIG. 2

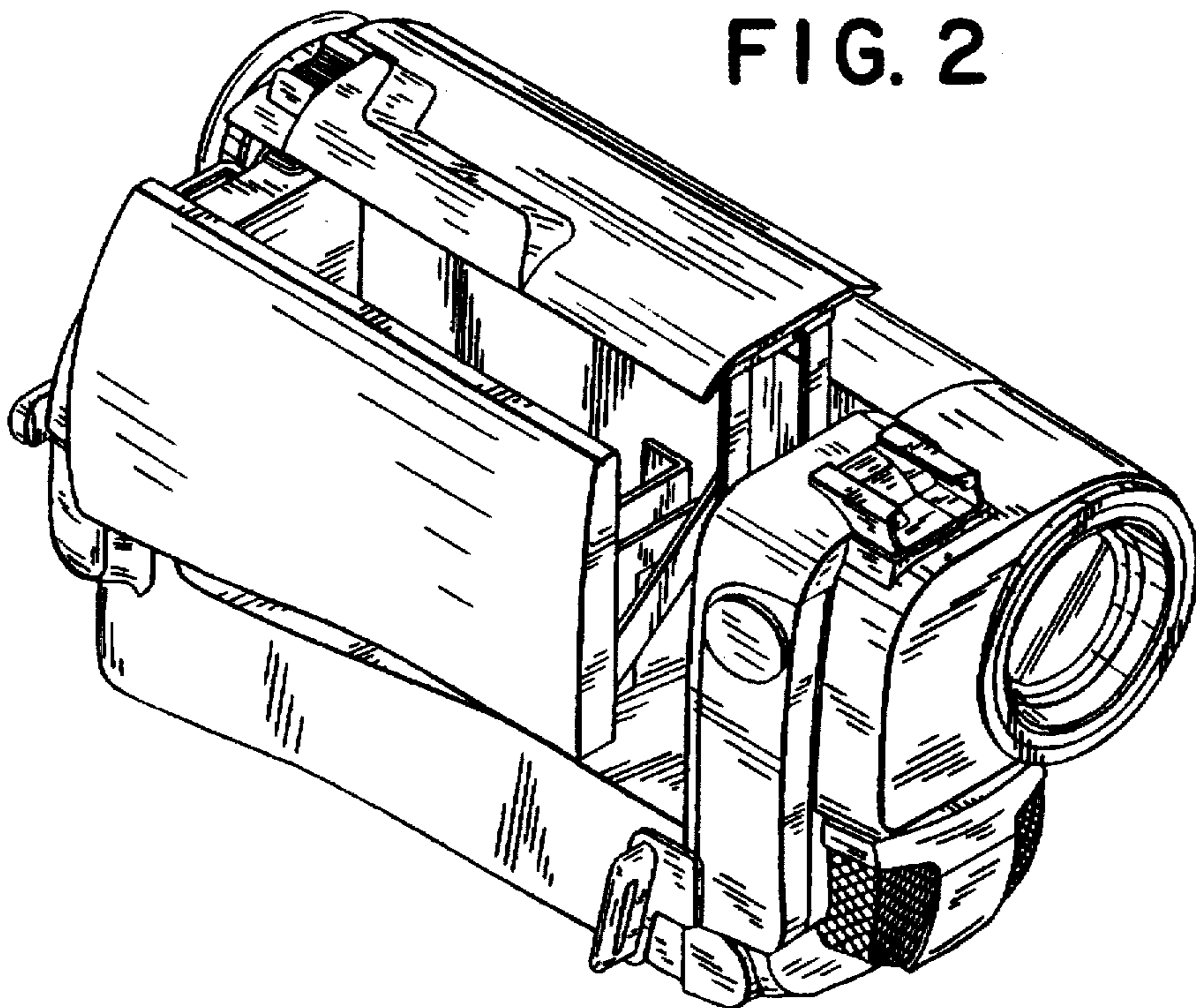


FIG. 3

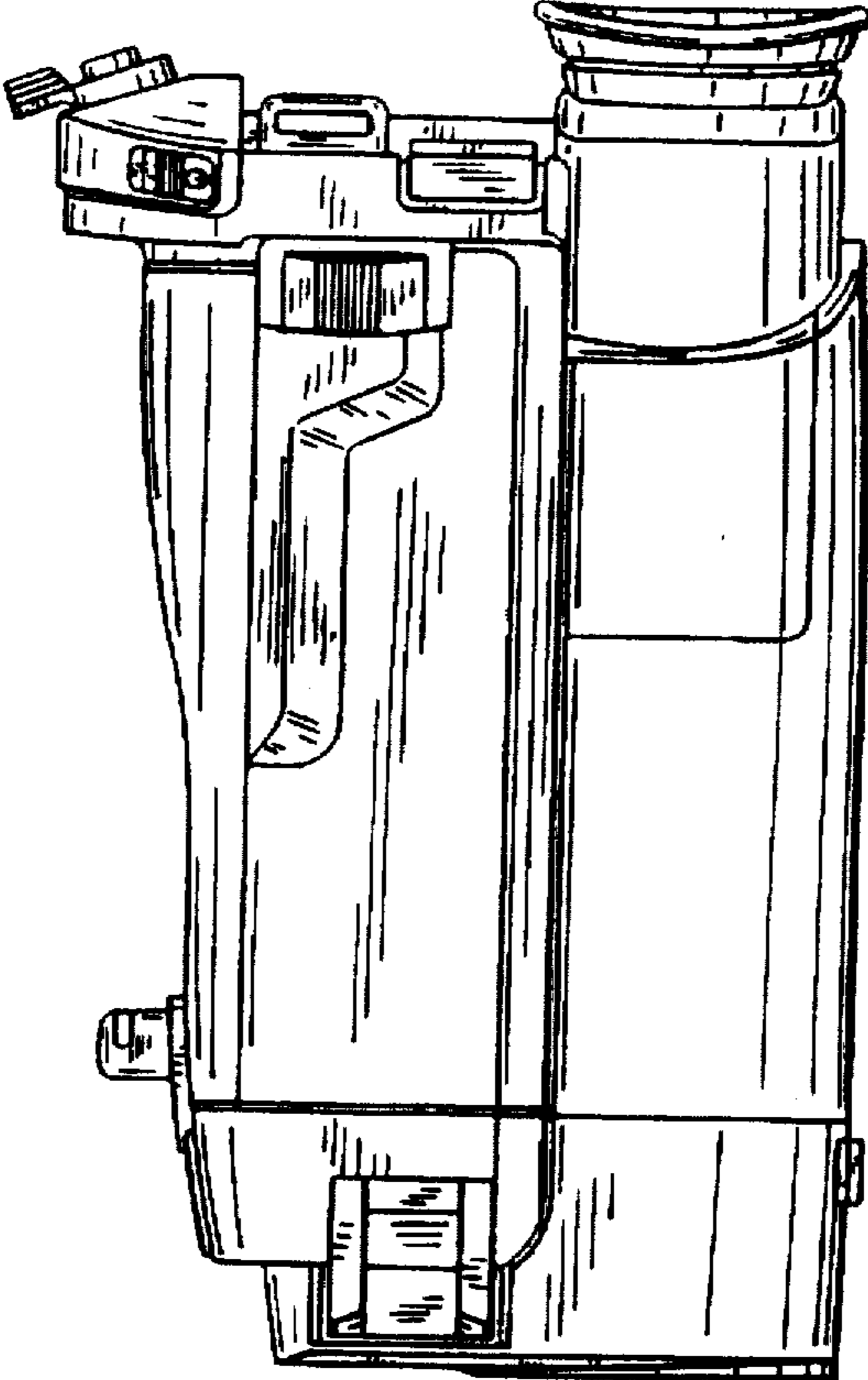


FIG. 4

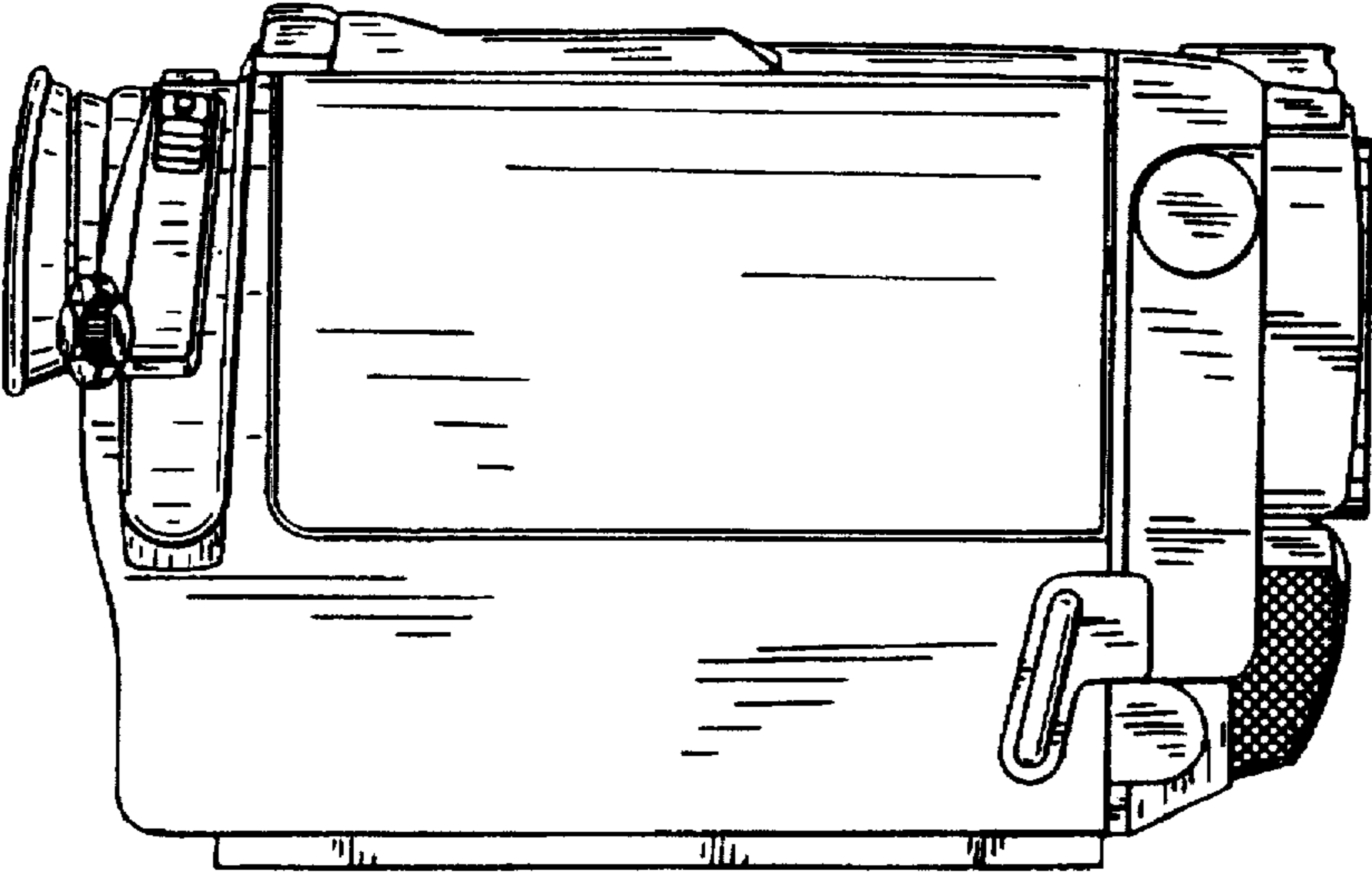


FIG. 5

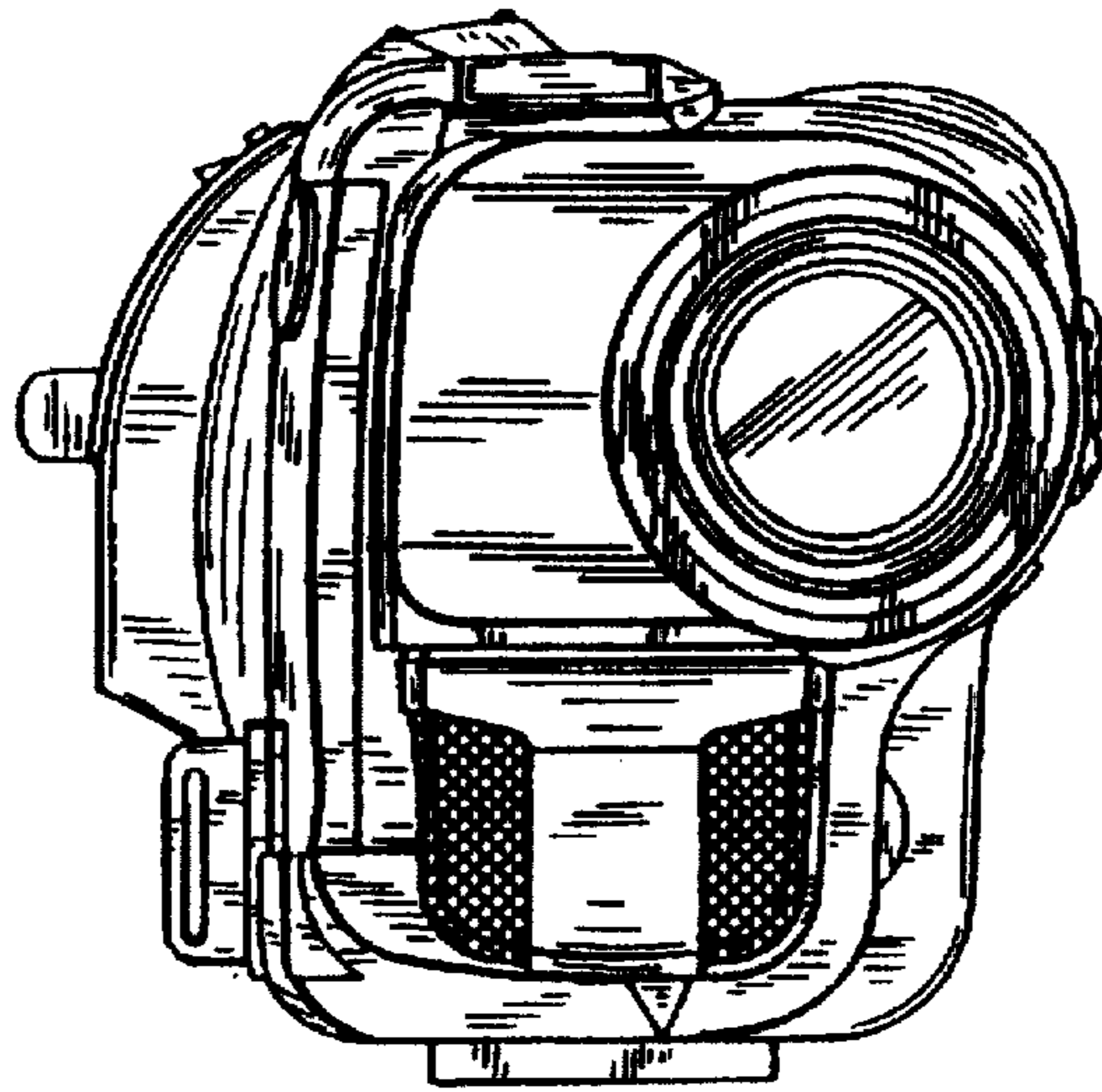


FIG. 6

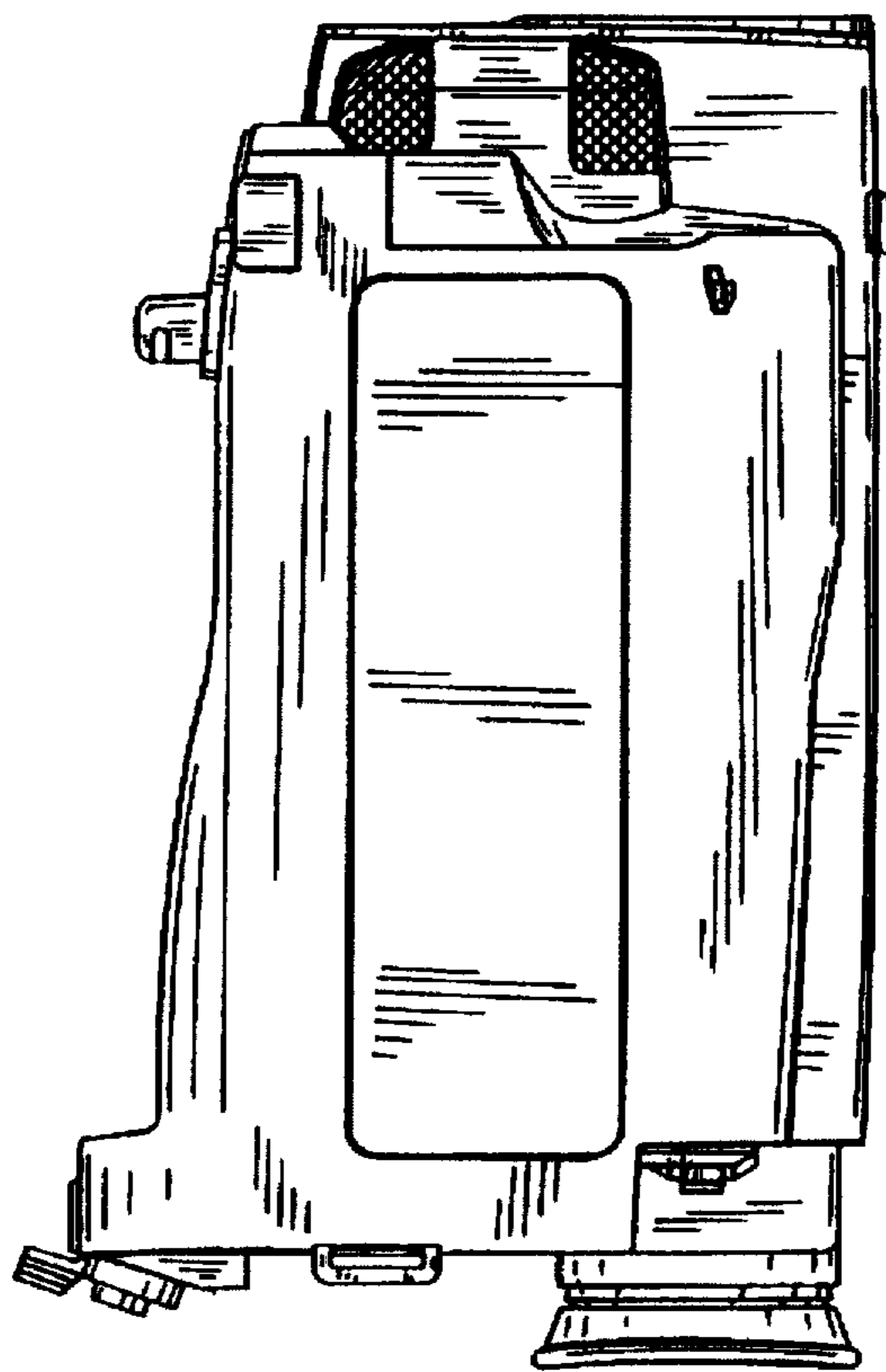


FIG. 7

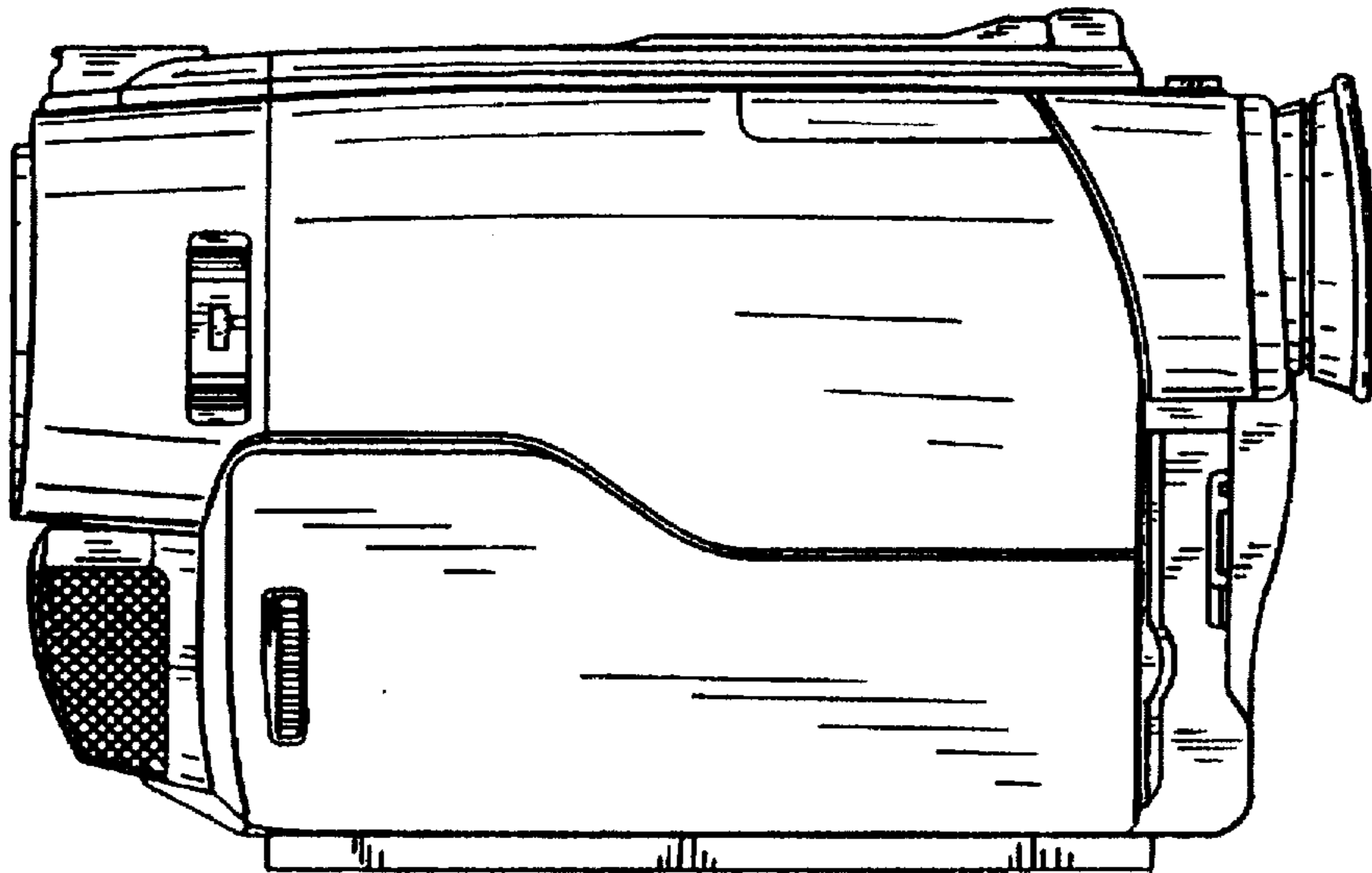


FIG. 8

