



US00D385567S

United States Patent [19] Bernard

[11] Patent Number: **Des. 385,567**

[45] Date of Patent: ****Oct. 28, 1997**

[54] DRILL SHARPENING DEVICE

[75] Inventor: **David A. Bernard**, Ashland, Oreg.
[73] Assignee: **Darex Corporation**, Ashland, Oreg.
[**] Term: **14 Years**

[21] Appl. No.: **56,845**

[22] Filed: **Jul. 10, 1996**

[51] LOC (6) Cl. **15-09**

[52] U.S. Cl. **D15/125**

[58] Field of Search **D15/125; 451/48,
451/138, 140, 143**

OTHER PUBLICATIONS

Darex Brochure "Darex Super Precision Drill Sharpeners: Reflect the Quality of Your Work".
SP2000 and SP2500 Super Precision Drill Sharpeners User's Guide.

Primary Examiner—Antoine Duval Davis
Attorney, Agent, or Firm—Kerkam, Stowell, Kondracki & Clarke, P.C.; John C. Kerins

[57] CLAIM

The ornamental design of a drill sharpening device, as shown and described.

DESCRIPTION

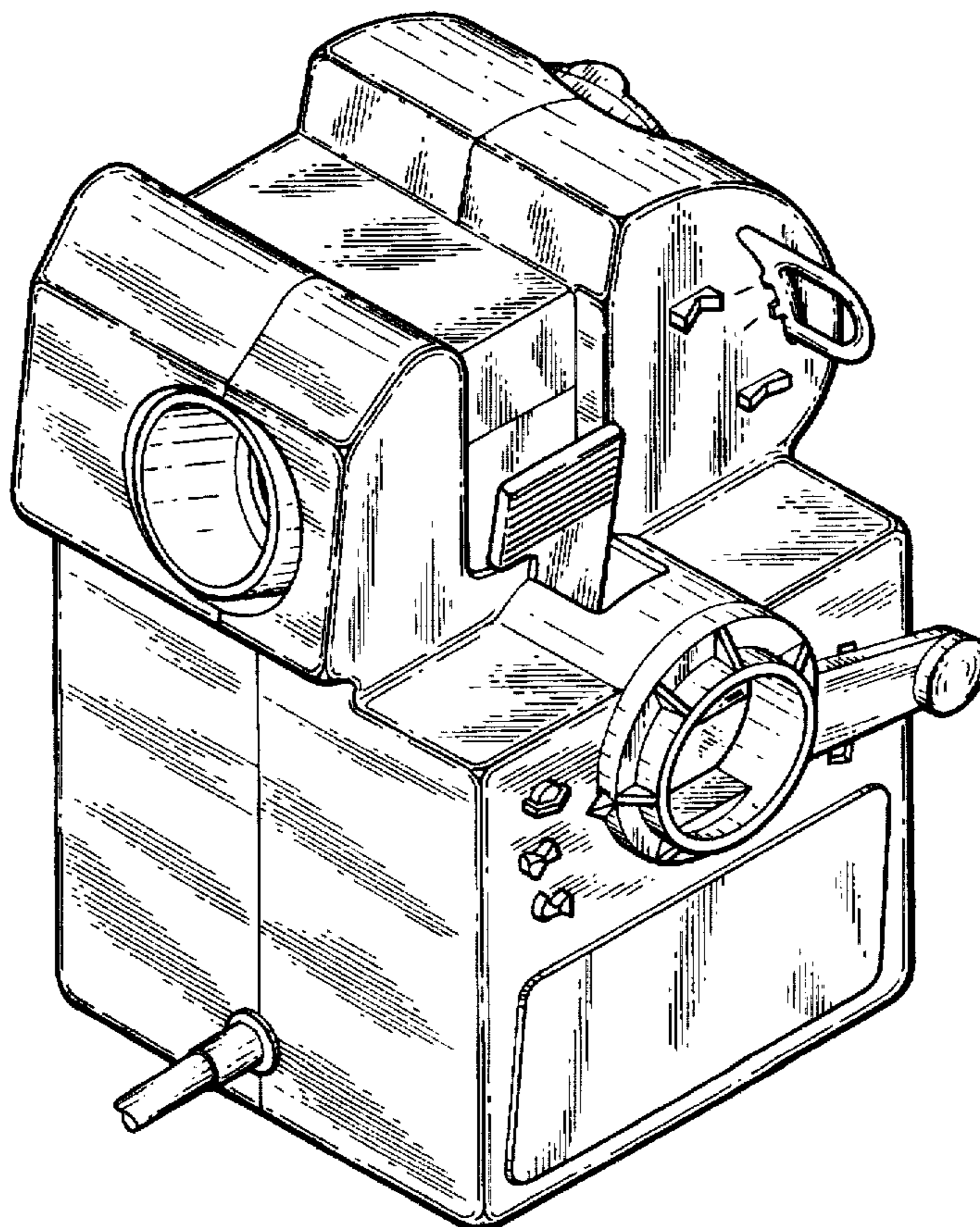
FIG. 1 is a perspective view of the drill sharpening device; FIG. 2 is a front elevation view of the drill sharpening device; FIG. 3 is a left side elevation view of the drill sharpening device; FIG. 4 is a rear elevation view of the drill sharpening device; FIG. 5 is a right side elevation view of the drill sharpening device; FIG. 6 is a top plan view of the drill sharpening device; and, FIG. 7 is a bottom plan view of the drill sharpening device.

[56] References Cited

U.S. PATENT DOCUMENTS

D. 230,045	1/1974	Ballone	D15/125
2,109,308	2/1938	Adams .	
4,001,975	1/1977	Bernard et al. .	
4,031,672	6/1977	Moore, Jr. et al.	451/48
4,093,247	6/1978	Bernard et al. .	
4,471,581	9/1984	Bernard et al. .	
4,485,596	12/1984	Bernard et al. .	
4,916,866	4/1990	Bernard et al. .	
5,097,634	3/1992	Hulme .	
5,179,809	1/1993	Schroeder .	
5,400,546	3/1995	Christian et al. .	

1 Claim, 4 Drawing Sheets



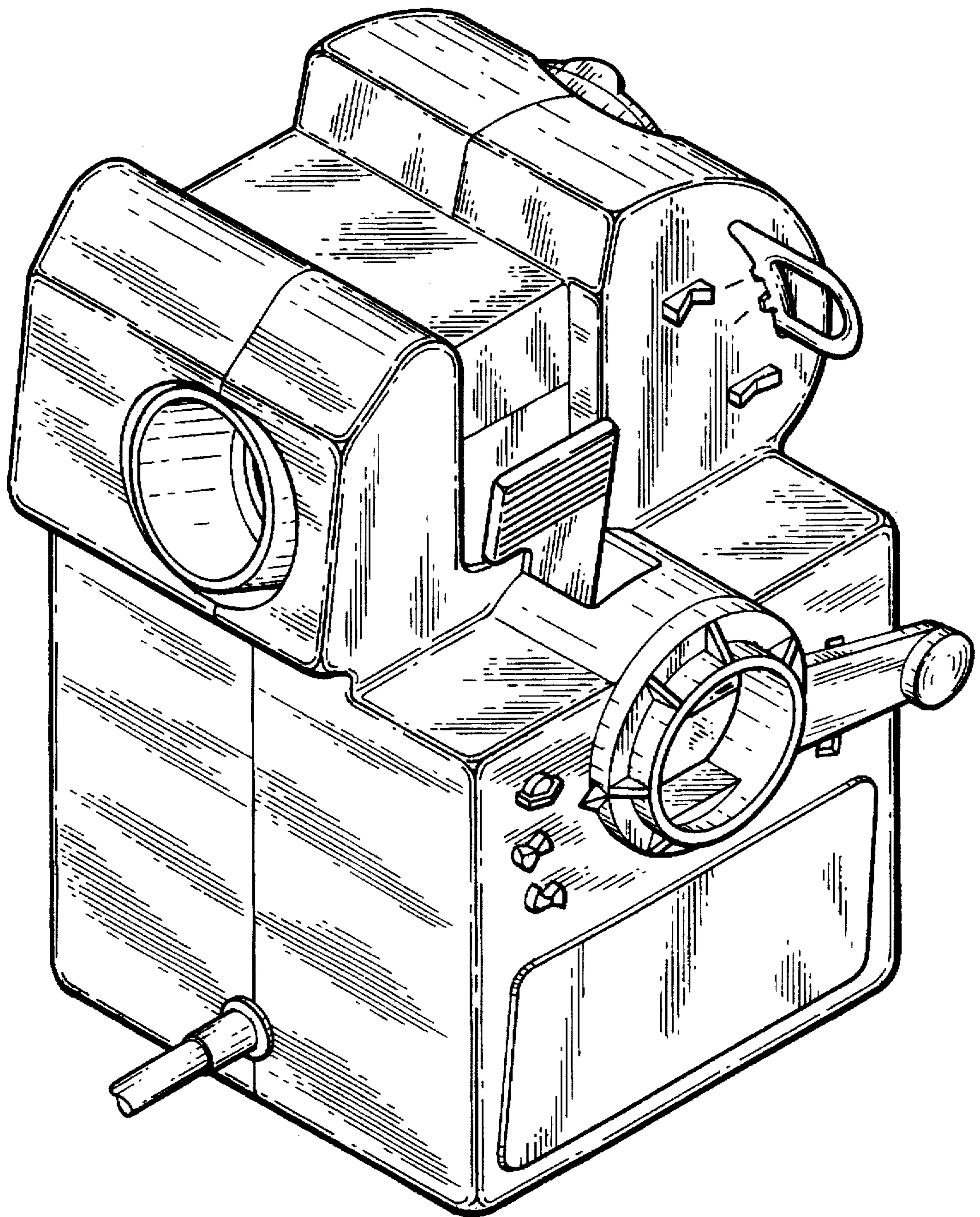


FIG. 1

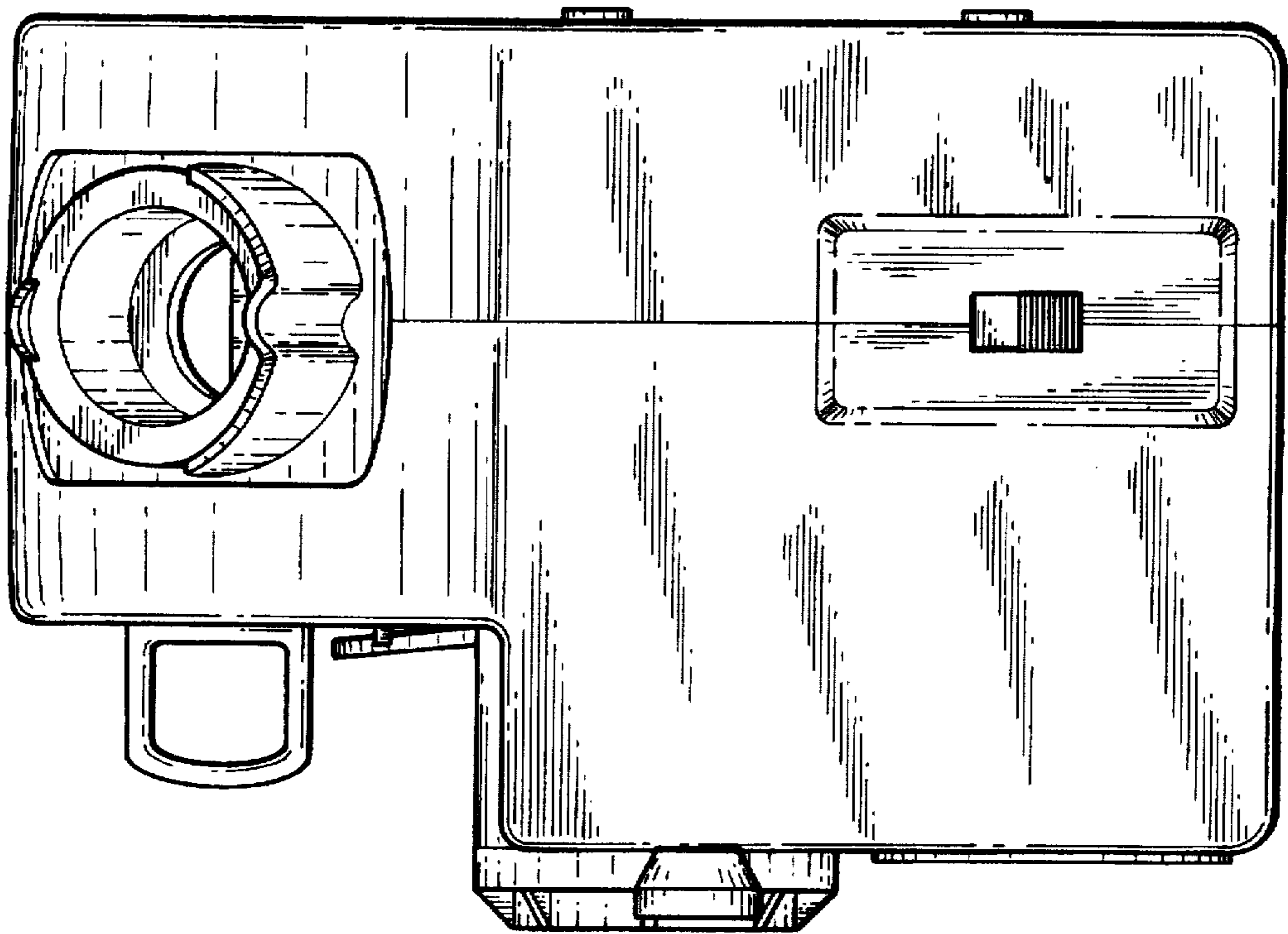


FIG. 3

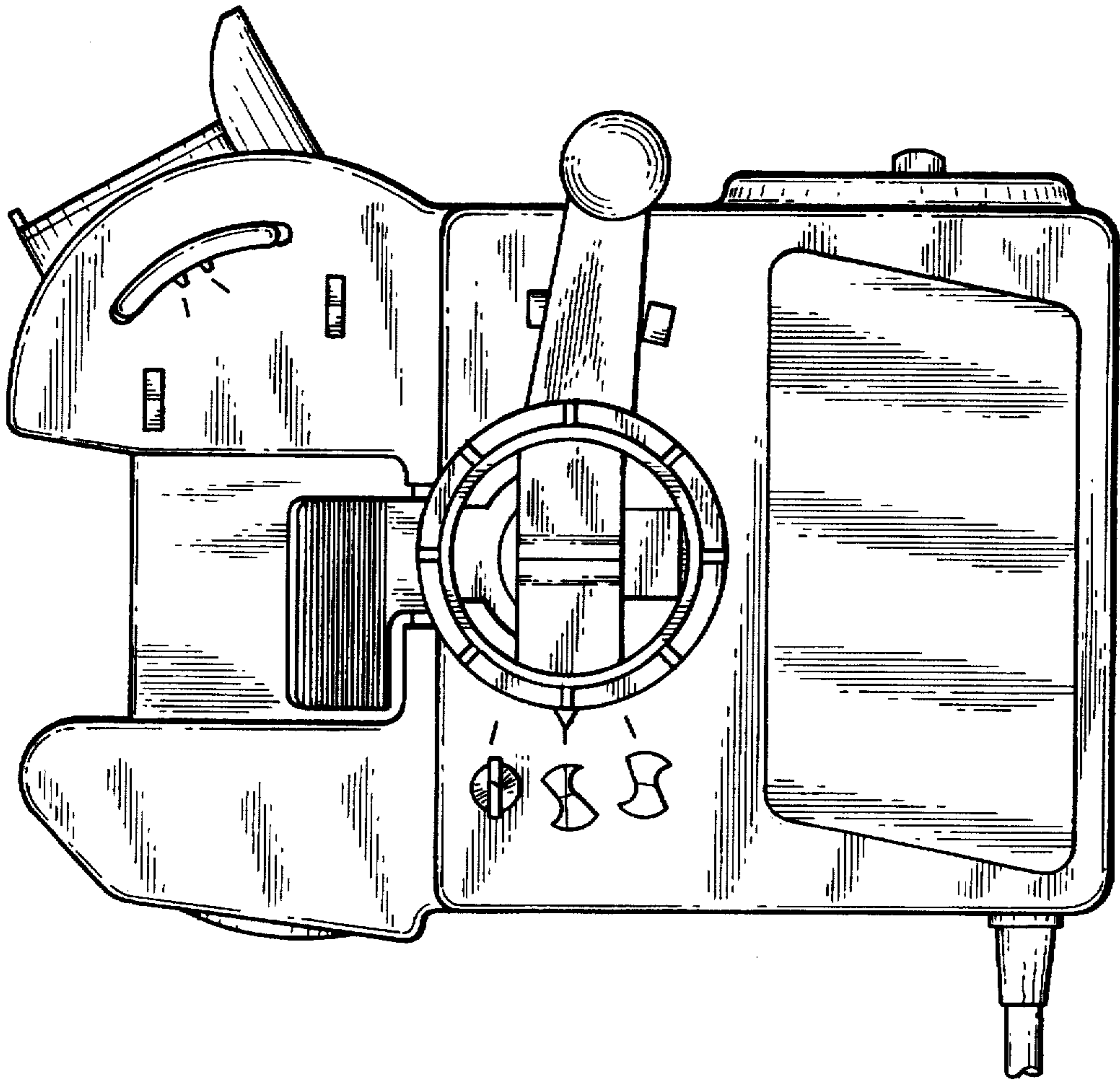


FIG. 2

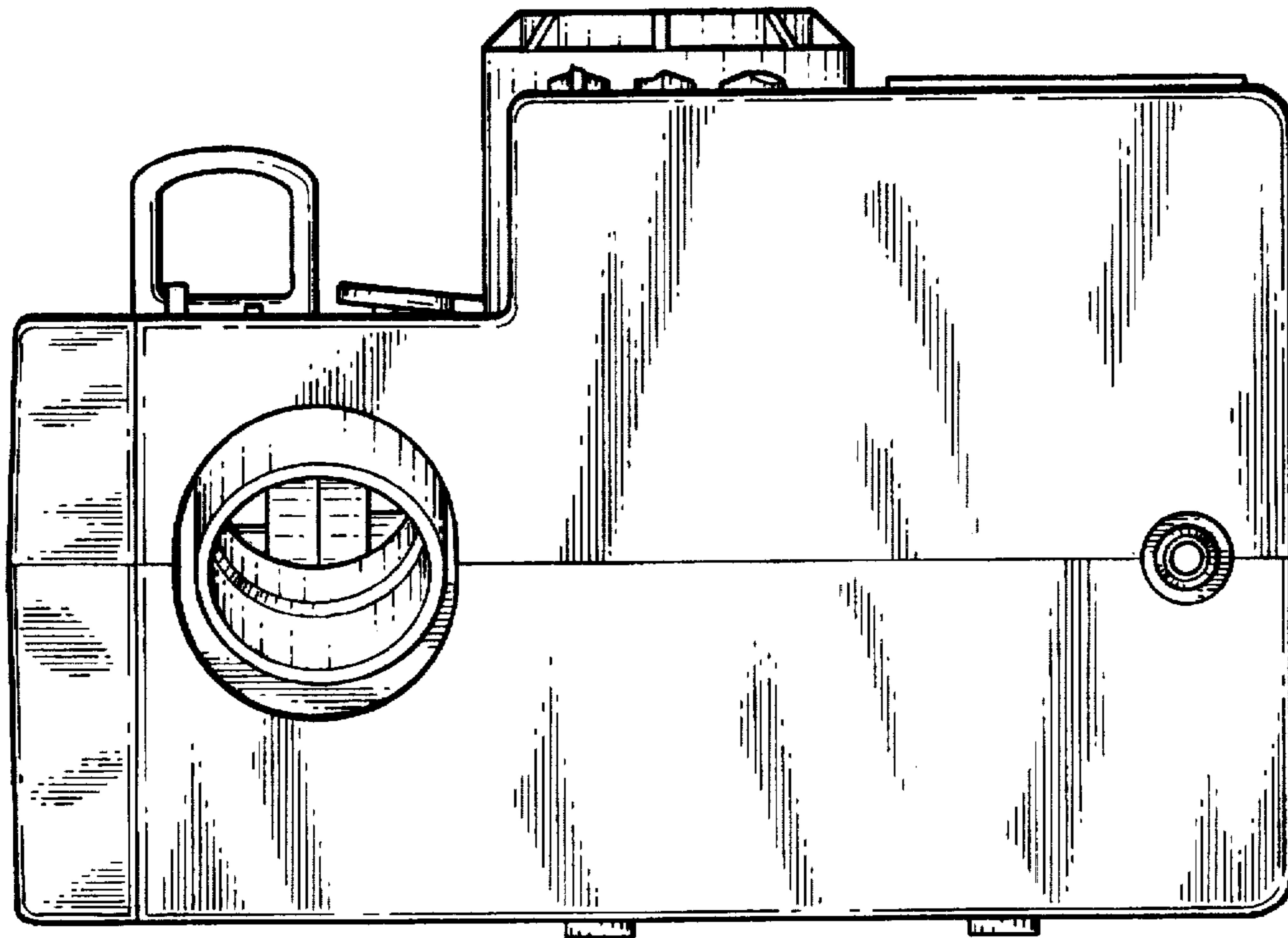


FIG. 5

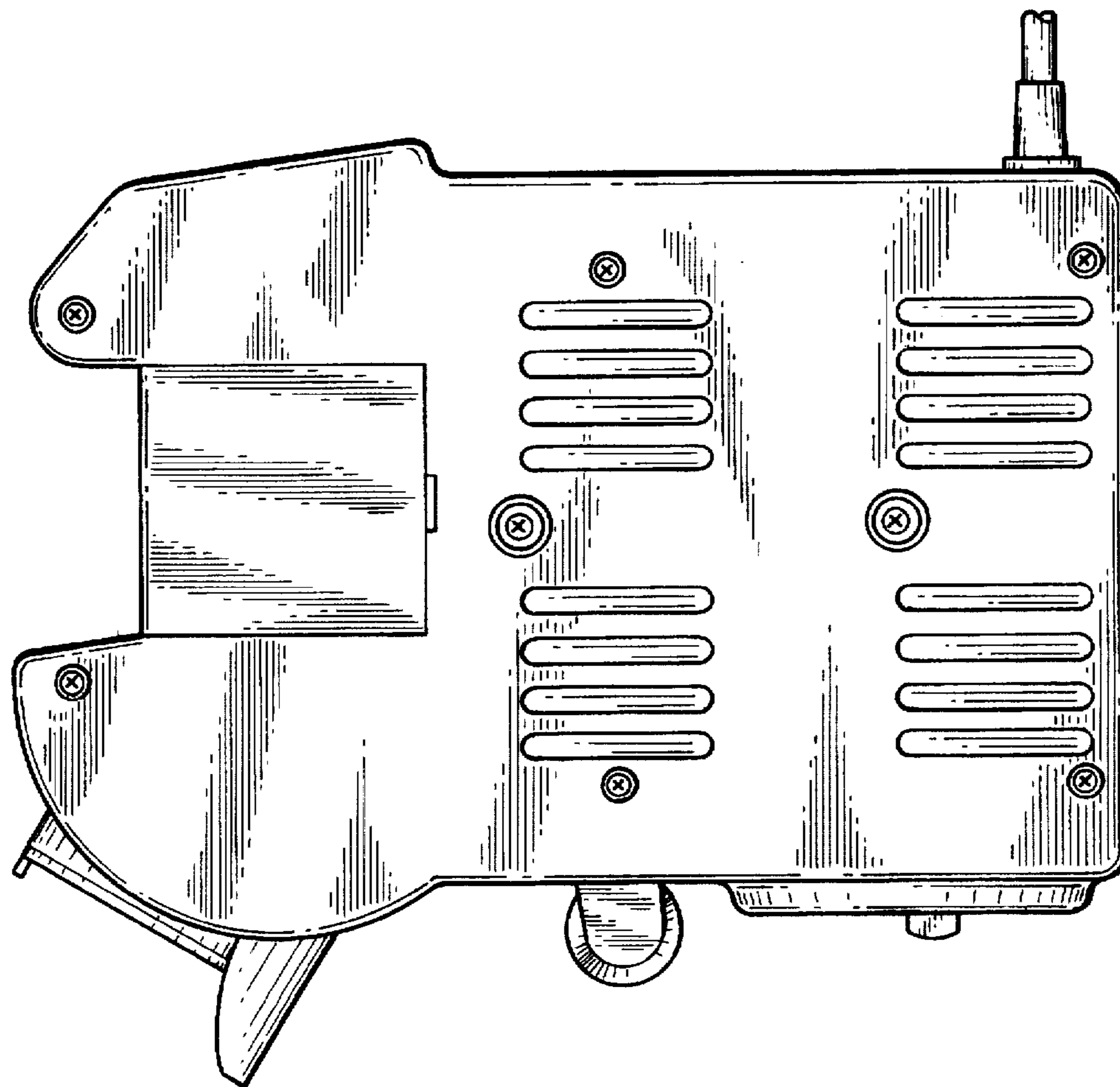


FIG. 4

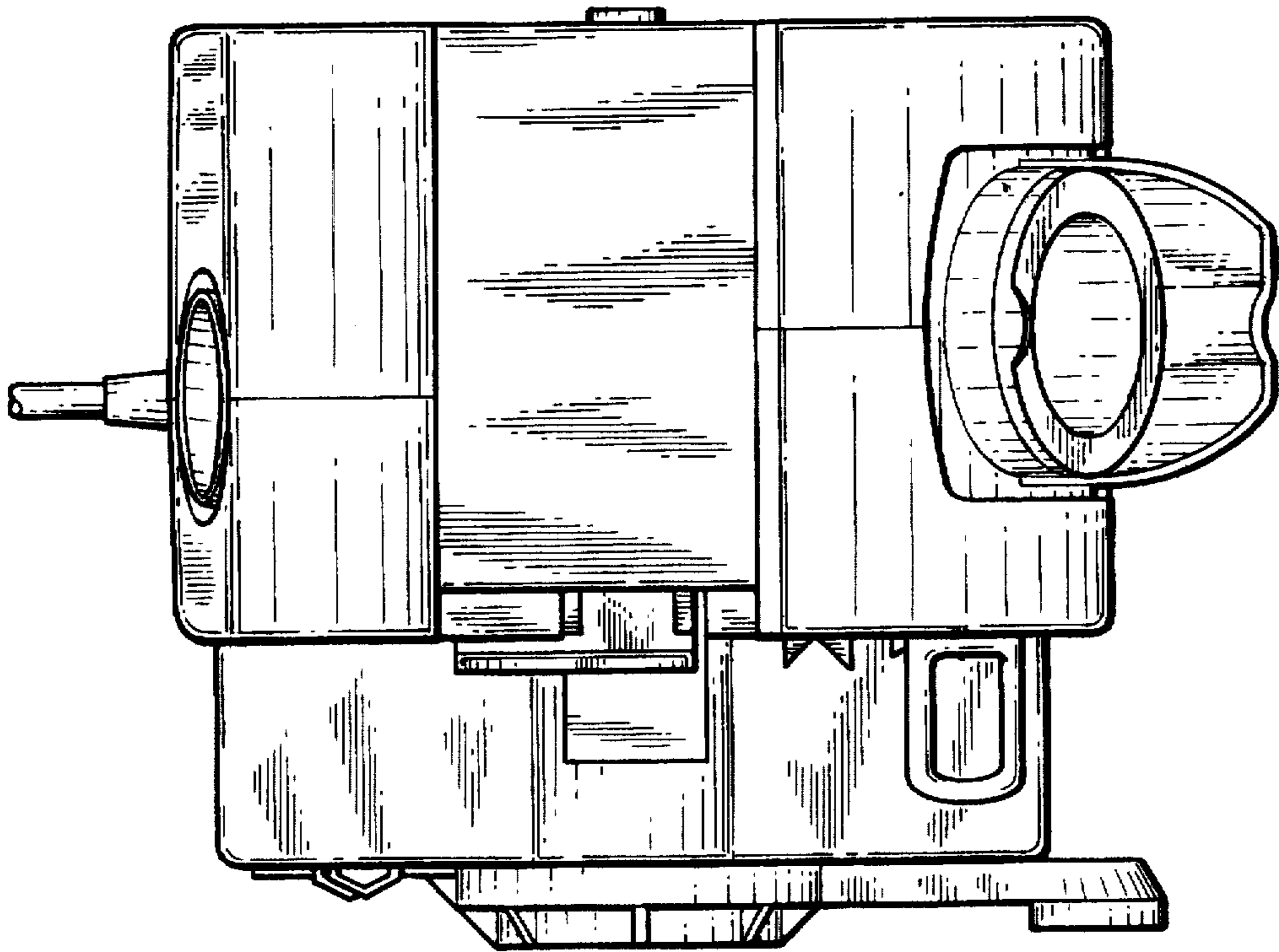


FIG. 6

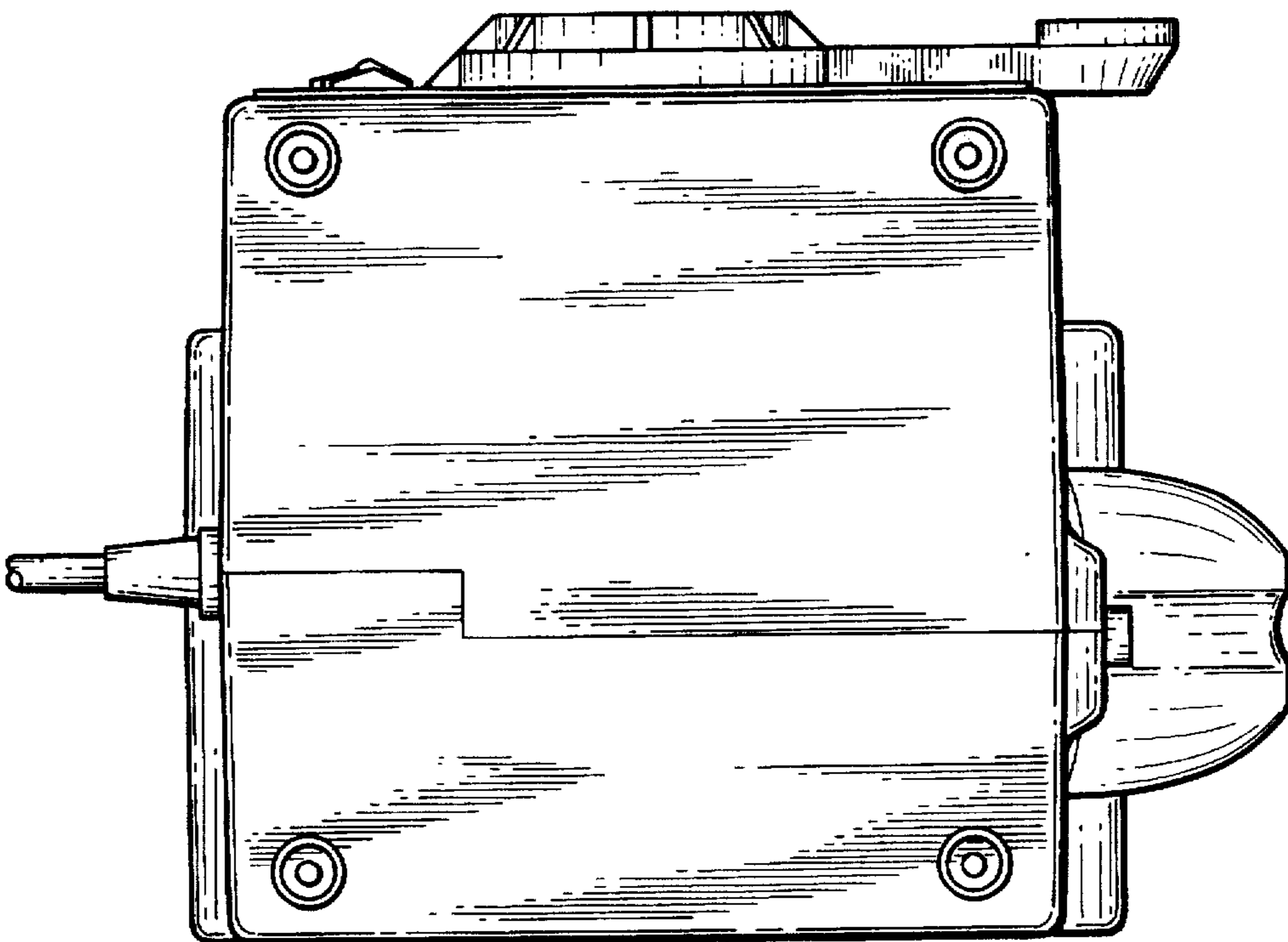


FIG. 7