



US00D385566S

United States Patent [19]

Wang

[11] Patent Number: **Des. 385,566**

[45] Date of Patent: ****Oct. 28, 1997**

[54] **DC 12V AIR COMPRESSOR**

[75] Inventor: **Lee-Jung Wang**, Tainan, Taiwan

[73] Assignee: **Coido Corporation**, Tainan, Taiwan

[**] Term: **14 Years**

[21] Appl. No.: **60,597**

[22] Filed: **Oct. 2, 1996**

[51] LOC (6) Cl. **15-02**

[52] U.S. Cl. **D15/9**

[58] Field of Search D15/7-9.2; D24/8;
D26/38; 417/415, 235; 410/411

[56] **References Cited**

U.S. PATENT DOCUMENTS

- D. 328,305 7/1992 Wong D15/7
- D. 340,458 10/1993 Wang D15/7

- D. 340,726 10/1993 Wang D15/7
- D. 356,800 3/1995 Chen D15/9

Primary Examiner—Ralf Seifert
Attorney, Agent, or Firm—Varndell Legal Group

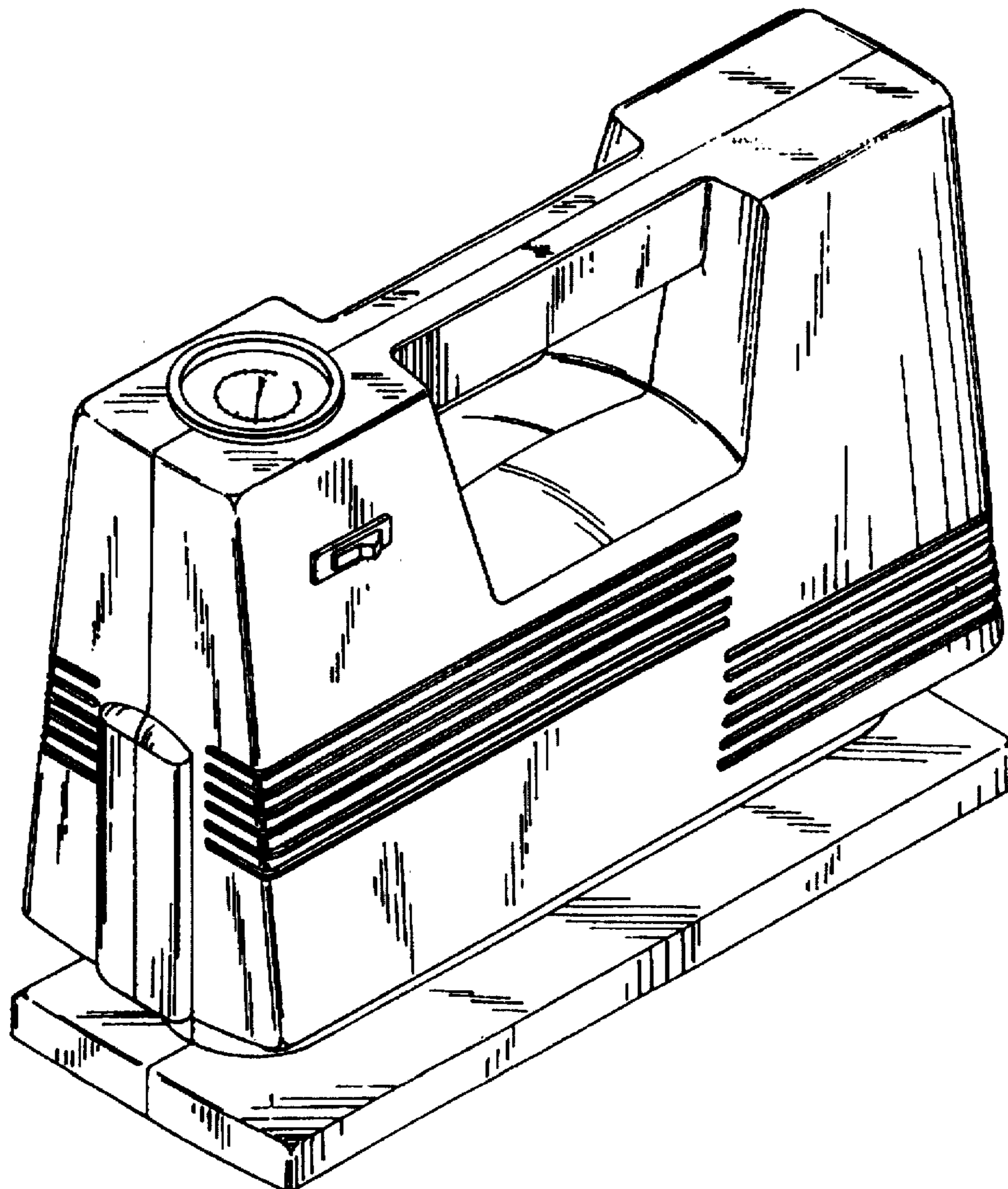
[57] **CLAIM**

The ornamental design for as DC 12V air compressor, shown and described.

DESCRIPTION

FIG. 1 is a perspective view of DC 12V air compressor showing our new design thereof;
FIG. 2 is a front elevational view and thereof;
FIG. 3 is a rear elevational view thereof;
FIG. 4 is a left side elevational view thereof;
FIG. 5 is a right side elevational view thereof; and,
FIG. 6 is a top plan view thereof; and,
FIG. 7 is a bottom plan view thereof.

1 Claim, 4 Drawing Sheets



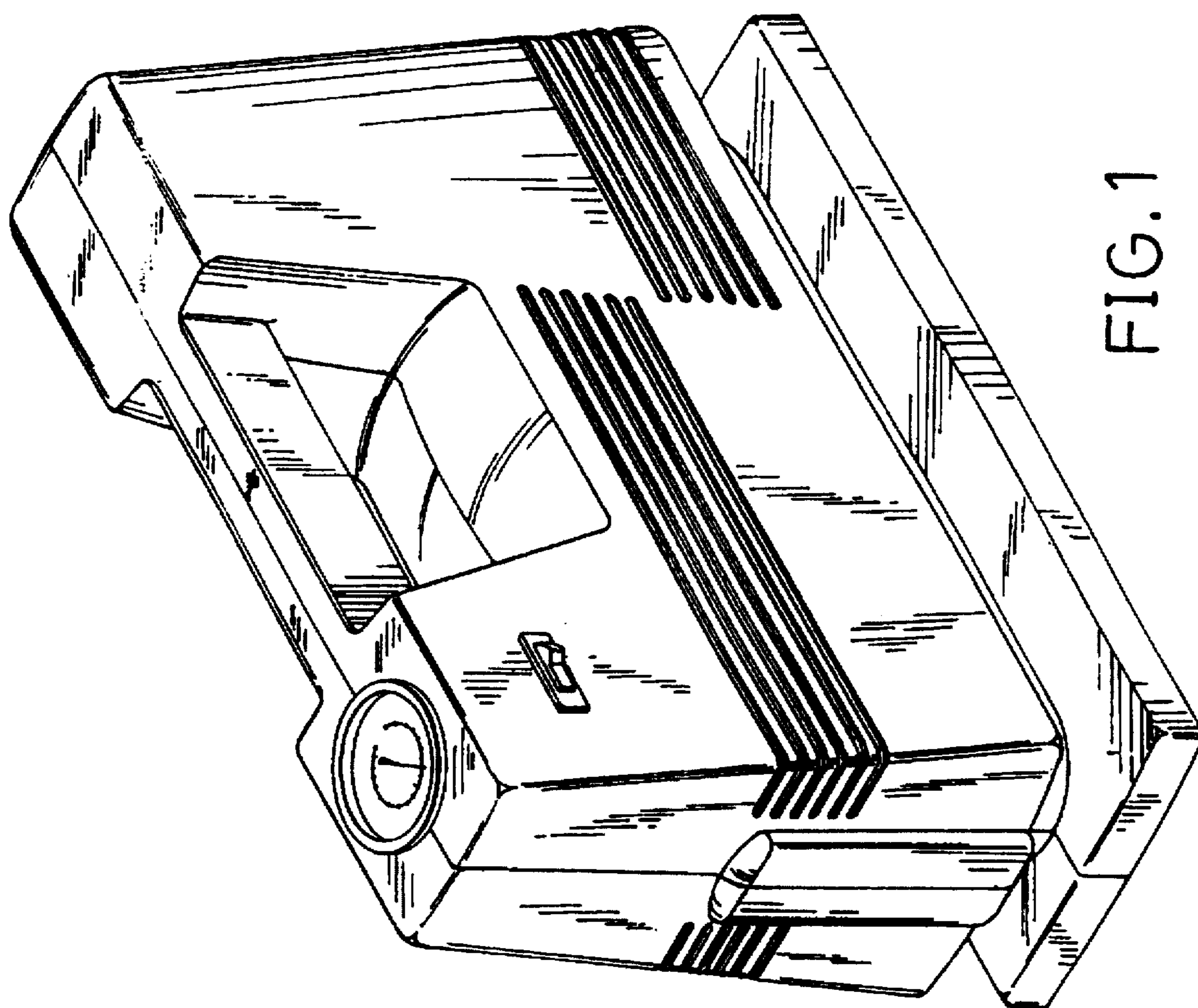


FIG. 1

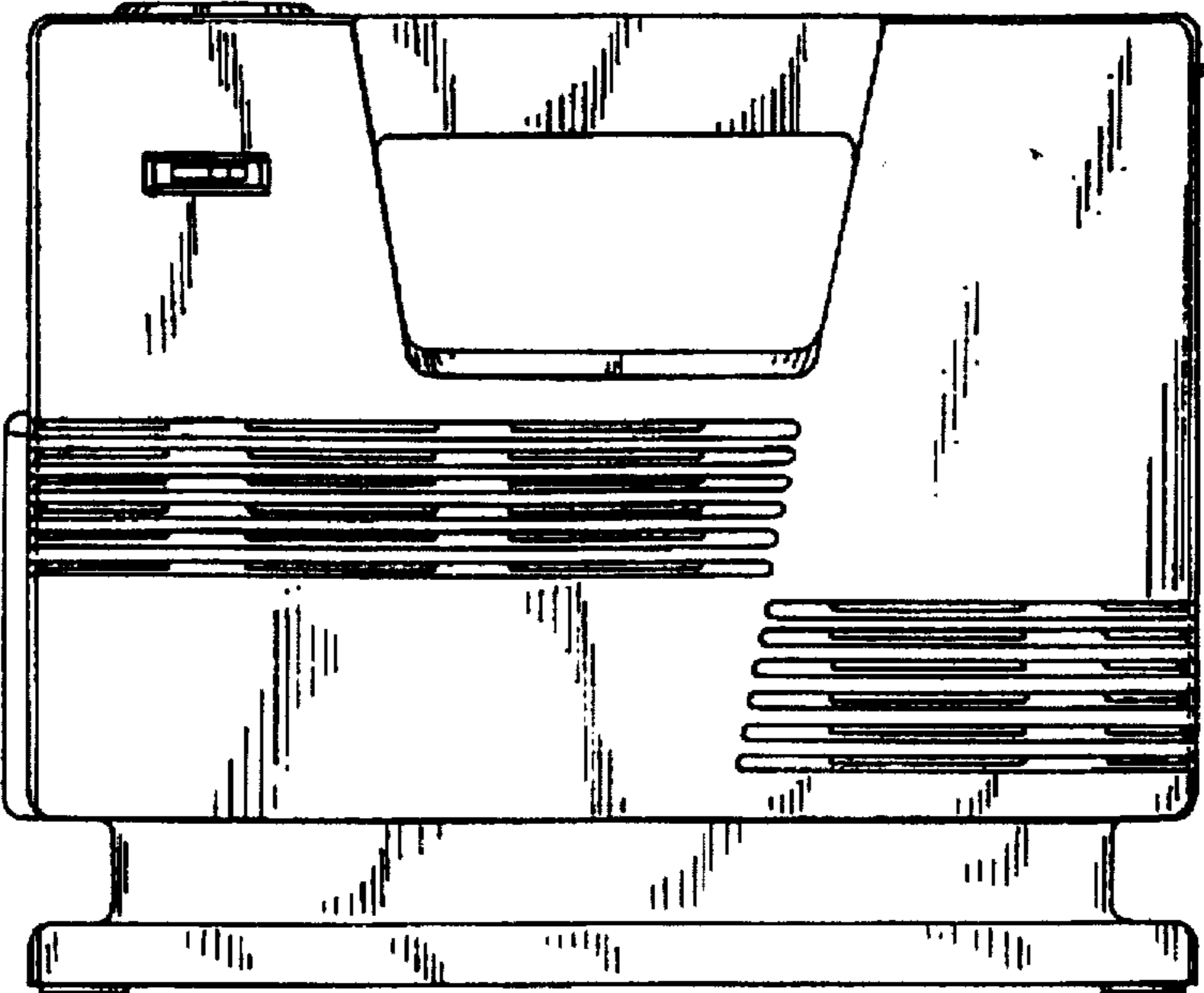


FIG. 2

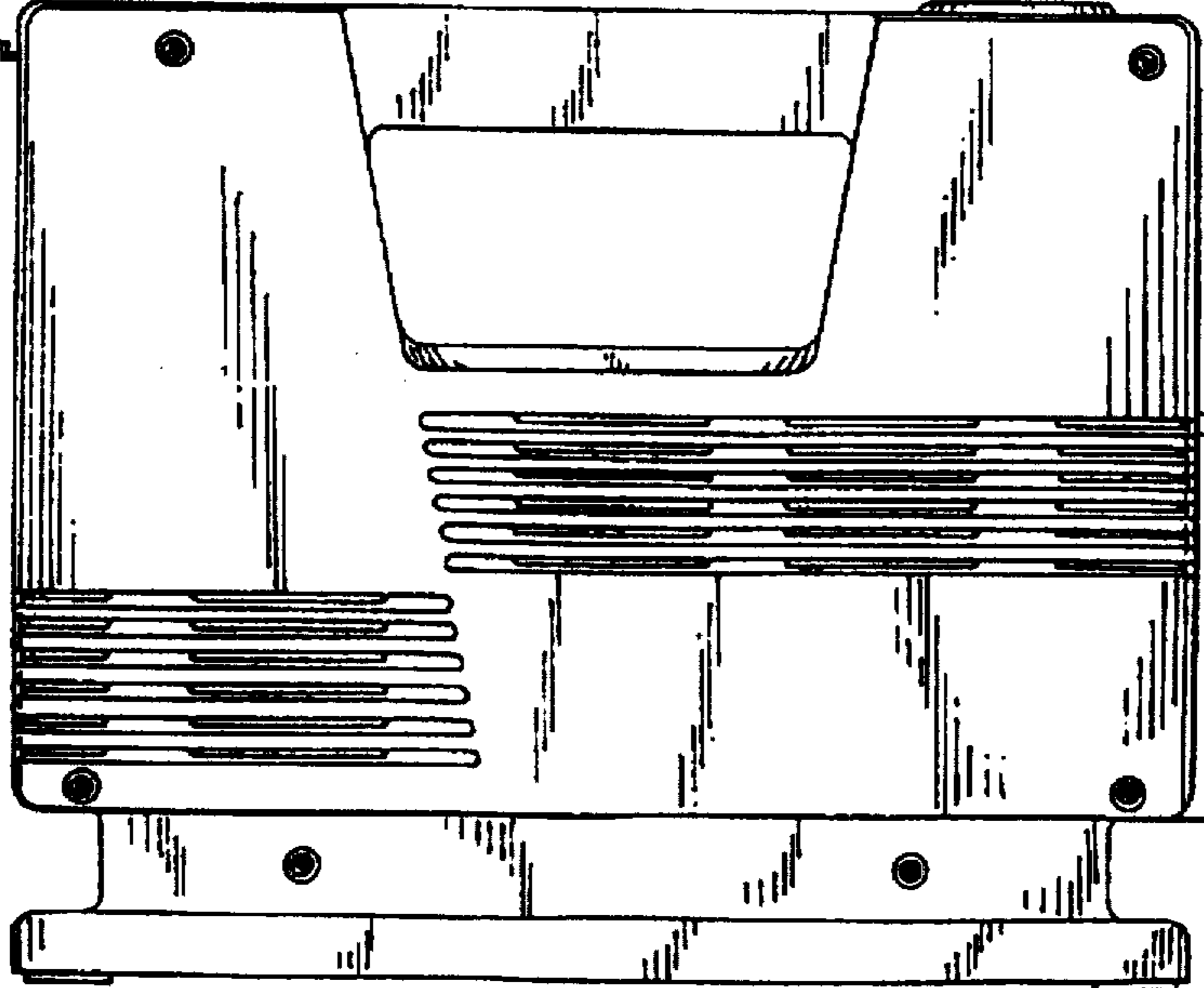


FIG. 3

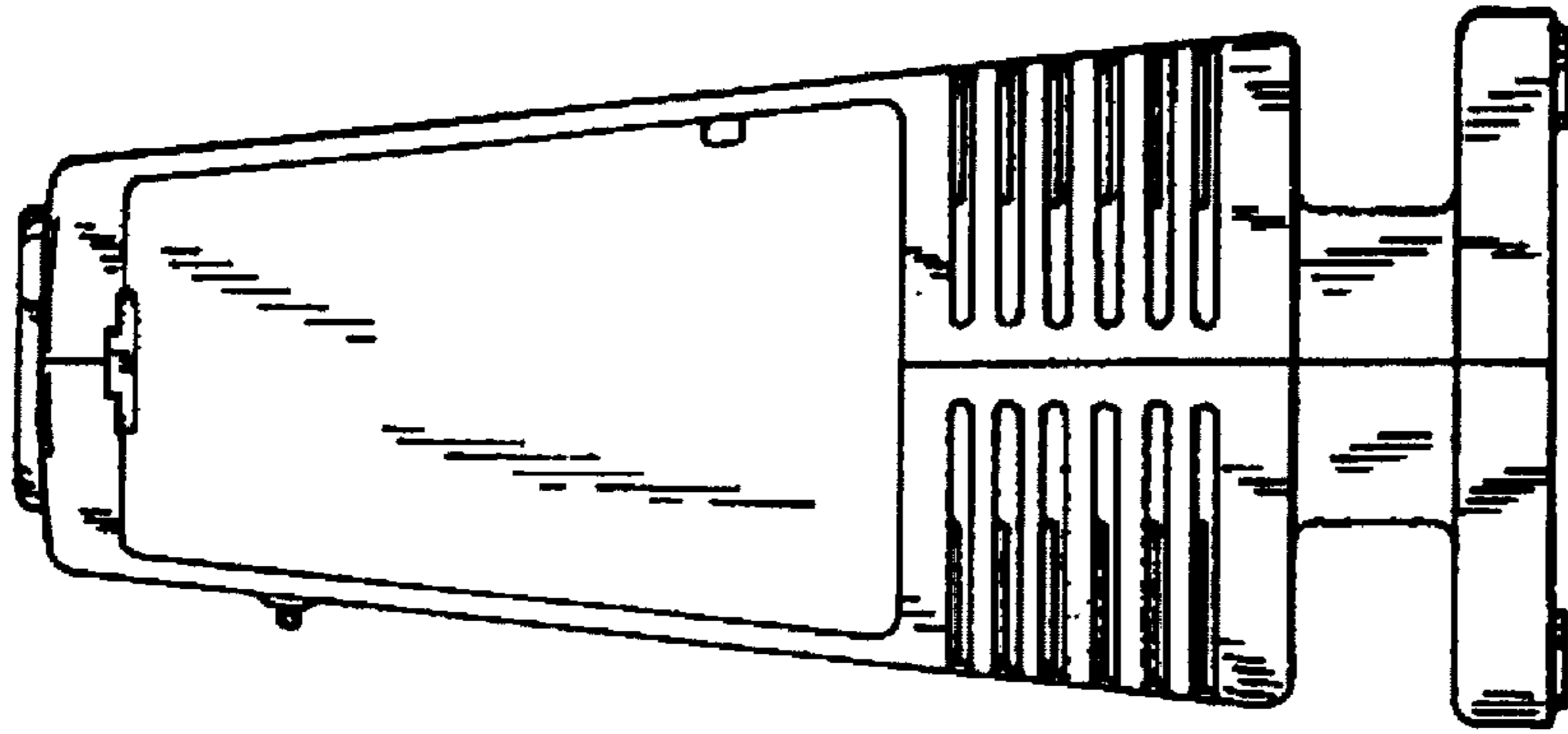


FIG. 5

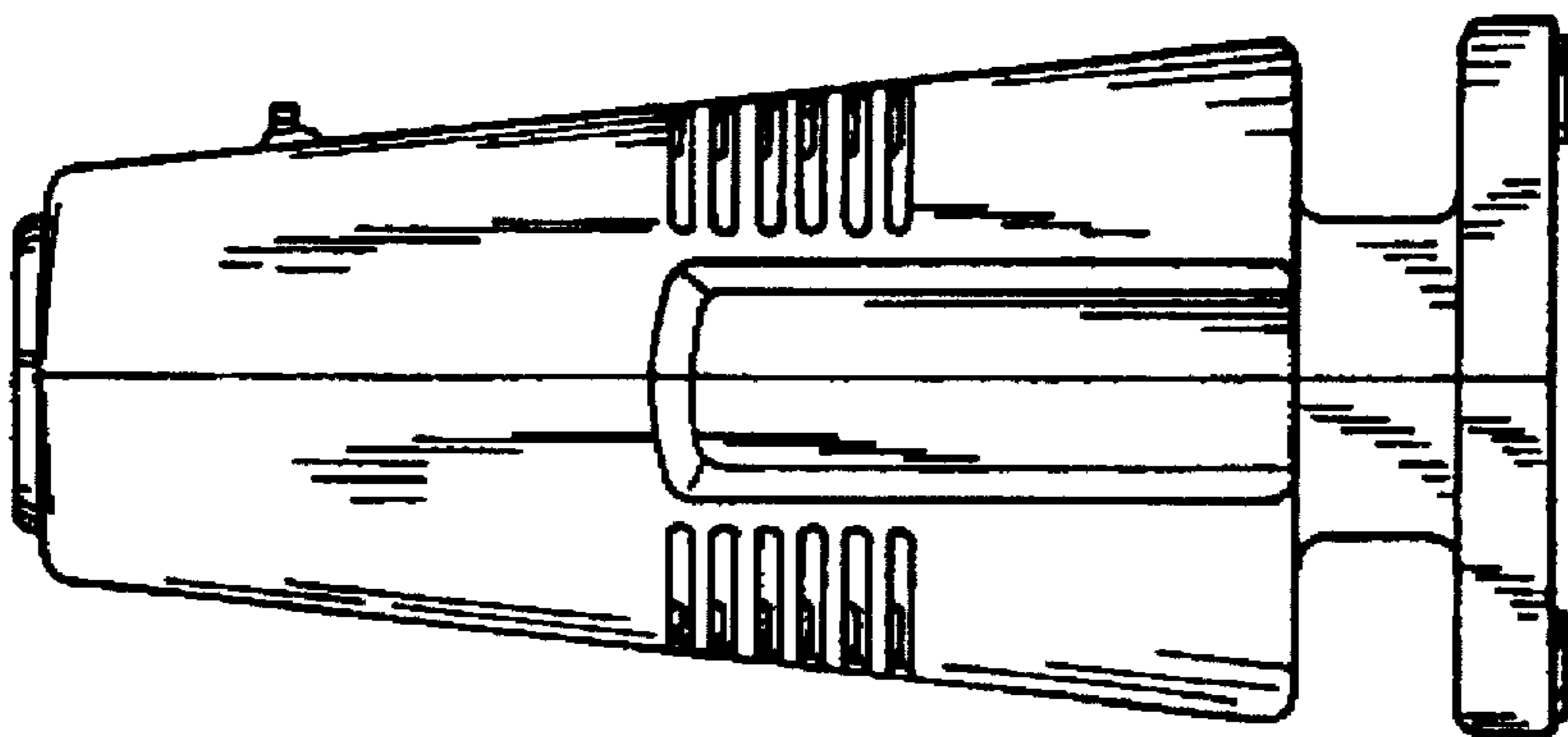


FIG. 4

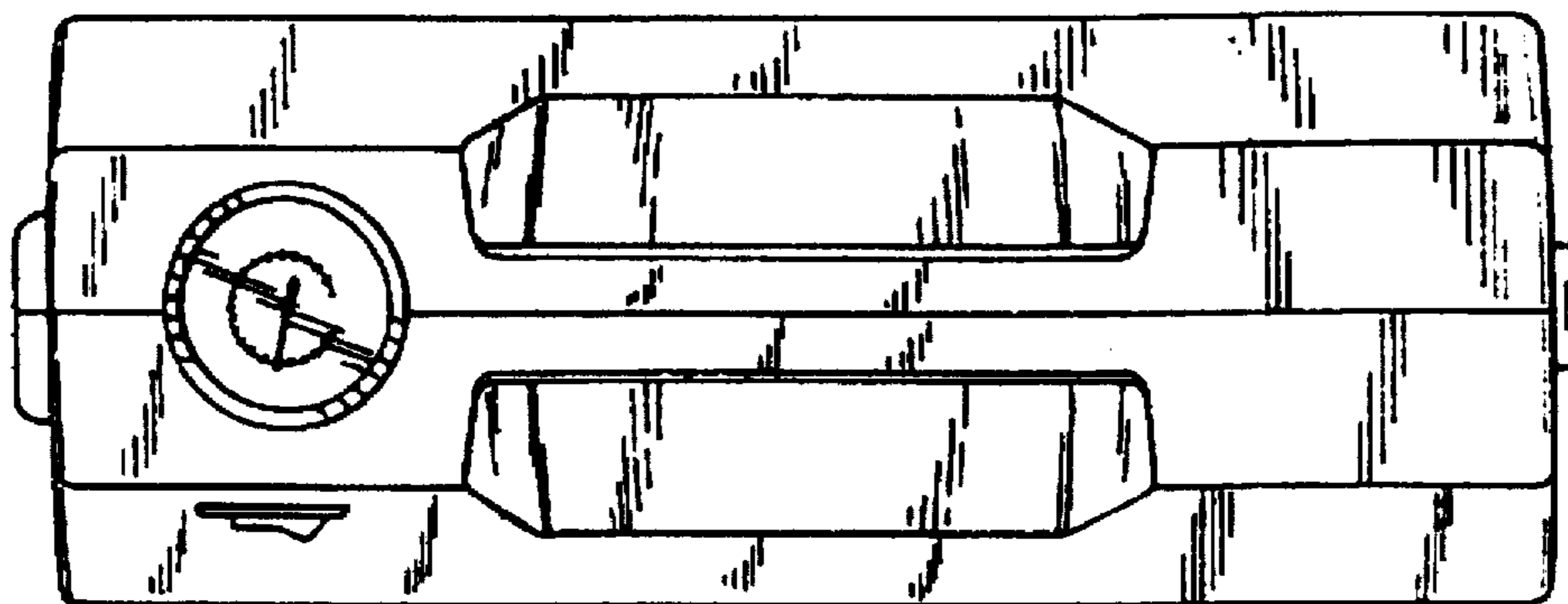


FIG. 6

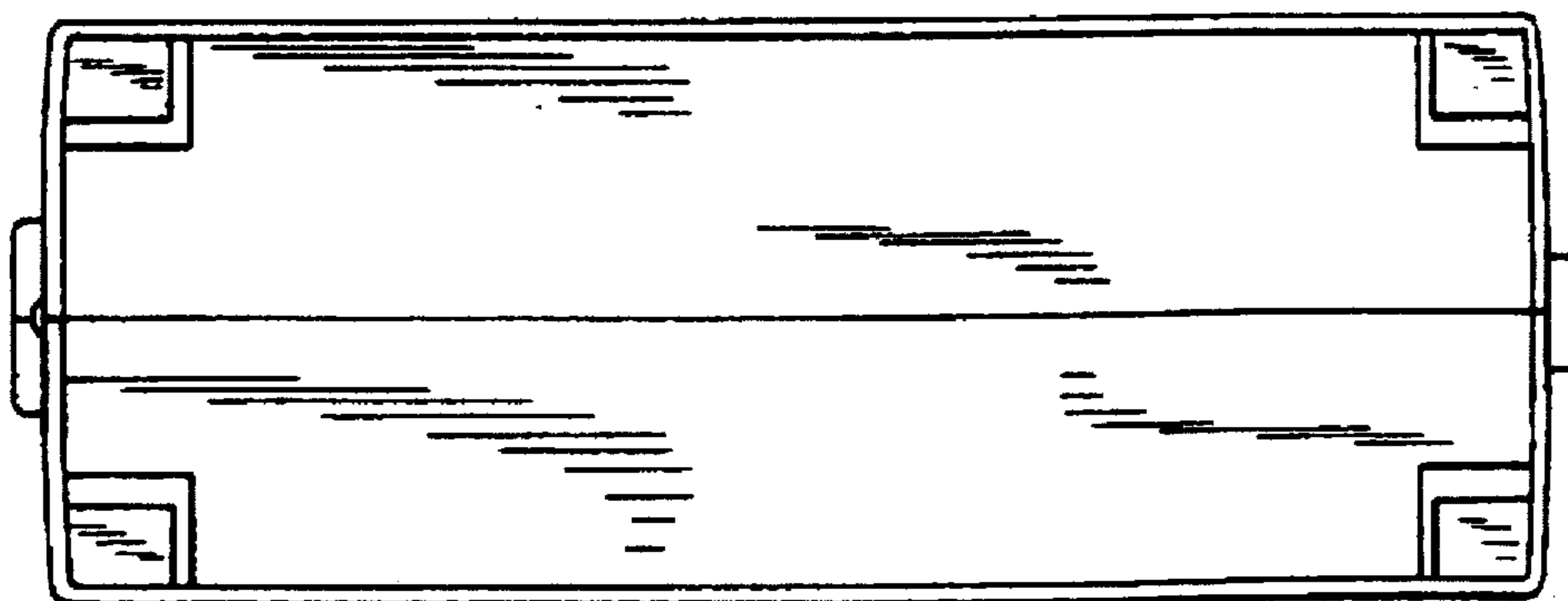


FIG. 7