



US00D385562S

# United States Patent [19]

[11] Patent Number: Des. 385,562

Nijjima et al.

[45] Date of Patent: \*\*Oct. 28, 1997

[54] MEDIA UNIT

Primary Examiner—Dominic Simone  
Attorney, Agent, or Firm—Foley & Lardner

[75] Inventors: Makoto Nijjima; Yoshiaki Kumagai,  
both of Tokyo, Japan

### [57] CLAIM

[73] Assignee: Sony Corporation, Tokyo, Japan

The ornamental design for a media unit, as shown and described.

[\*\*] Term: 14 Years

### DESCRIPTION

[21] Appl. No.: 38,404

FIG. 1 is a perspective view of the media unit showing our new design;

[22] Filed: May 5, 1995

FIG. 2 is a perspective view thereof wherein the top portion is turned;

[51] LOC (6) Cl. .... 14-99

[52] U.S. Cl. .... D14/188

FIG. 3 is a rear elevational view thereof;

[58] Field of Search ..... D14/155, 188,  
D14/299; 455/39, 92, 130, 100, 128; 340/311.1

FIG. 4 is a front elevational view thereof;

FIG. 5 is a left side elevational view thereof;

FIG. 6 is a right side elevational view thereof;

### [56] References Cited

#### U.S. PATENT DOCUMENTS

D. 271,692	12/1983	Morris	.....	D14/188
D. 320,986	10/1991	Suckley	.....	D14/155 X
D. 325,570	4/1992	Jones	.....	D14/155
D. 337,767	7/1993	Sogabe et al.	.....	D14/155
D. 340,455	10/1993	Christian	.....	D14/155 X
D. 371,361	7/1996	Velinsky	.....	D14/155
5,319,805	6/1994	Holcomb et al.	.....	455/128

FIG. 7 is a top plan view thereof;

FIG. 8 is a bottom plan view thereof;

FIG. 9 is a perspective view of a second embodiment of FIG. 1, the difference residing in the shape of the top portion; and,

FIG. 10 is a perspective view of FIG. 9, wherein the top portion is turned.

1 Claim, 4 Drawing Sheets

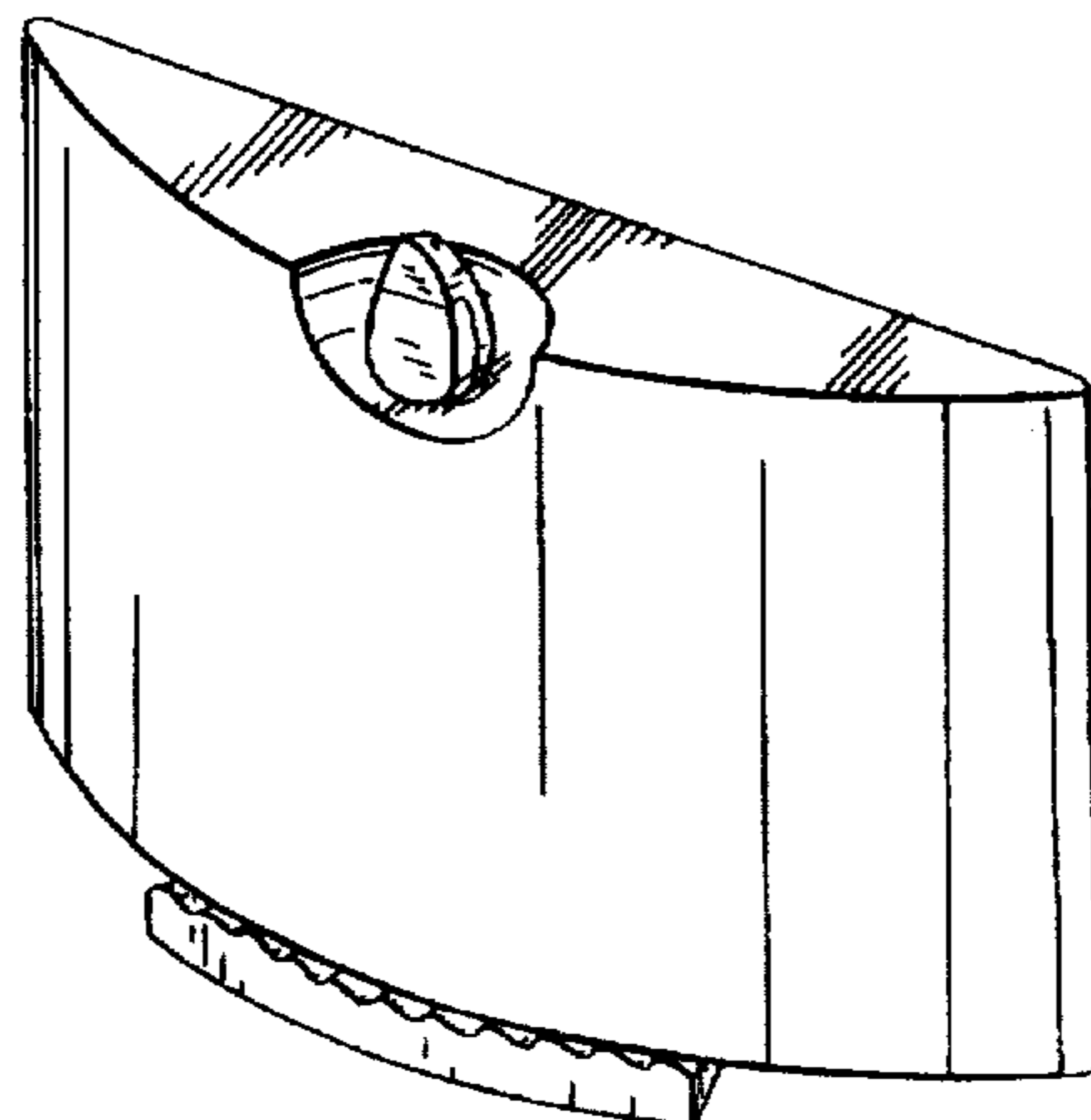
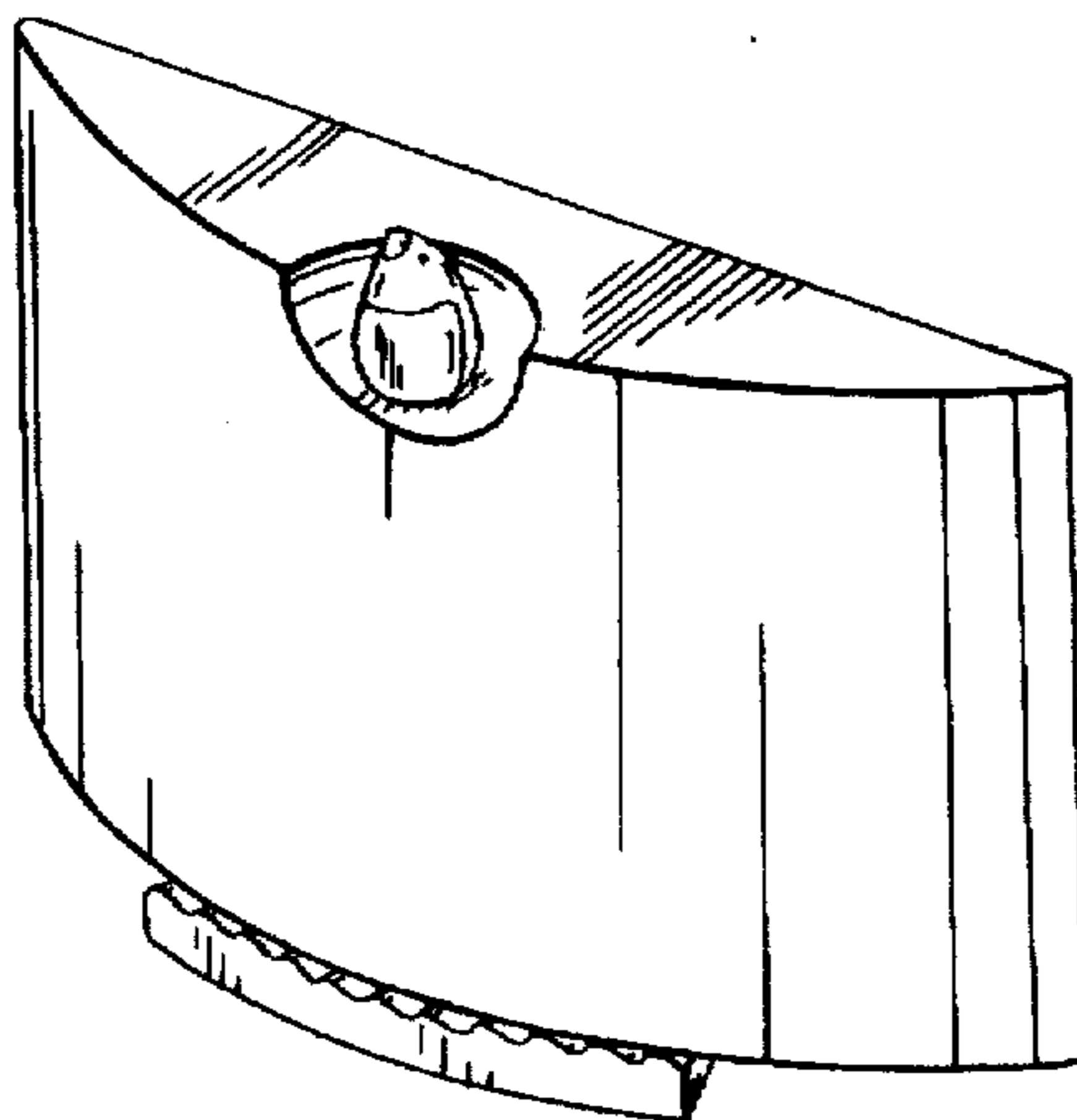


FIG. 1

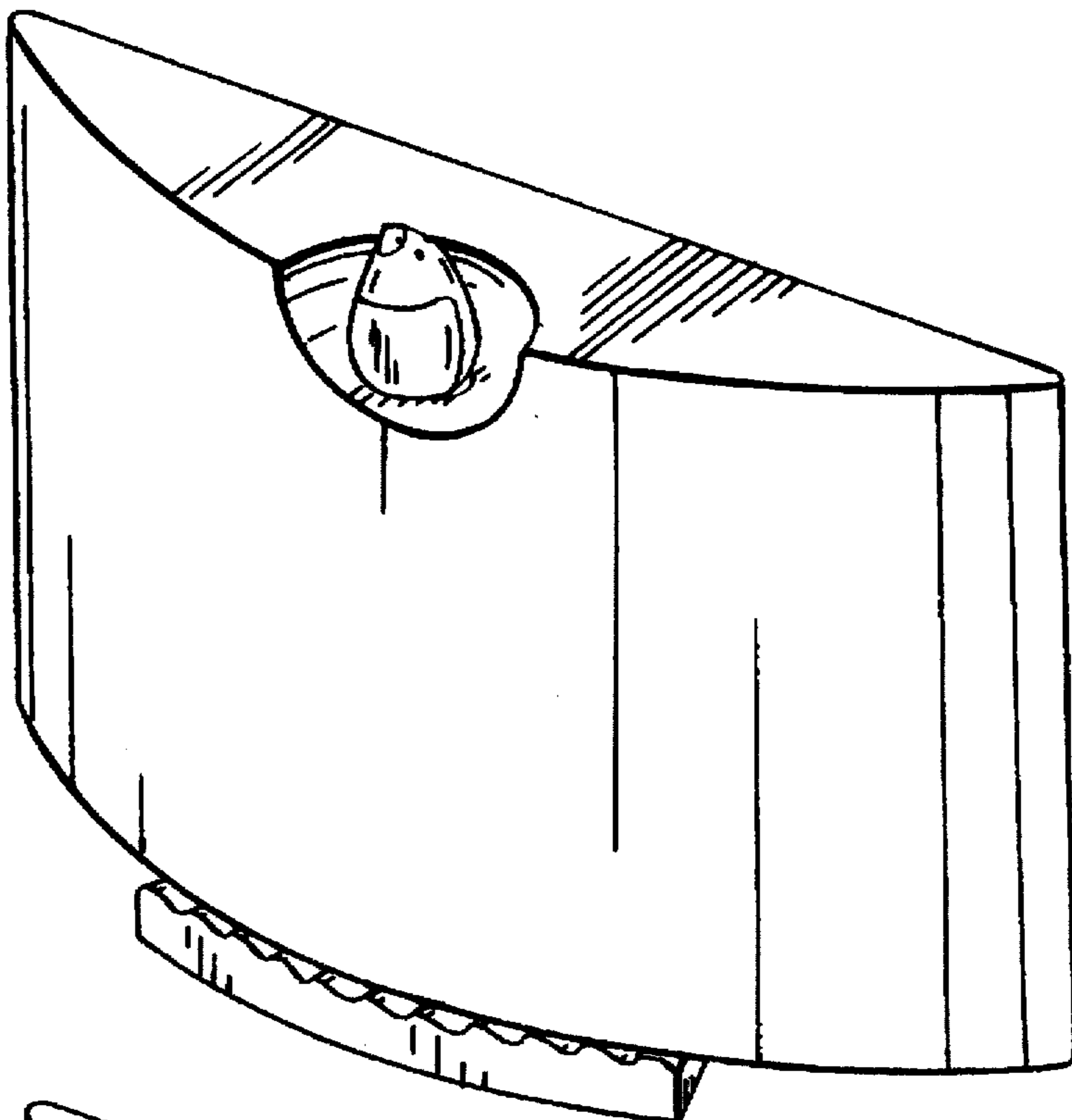


FIG. 2

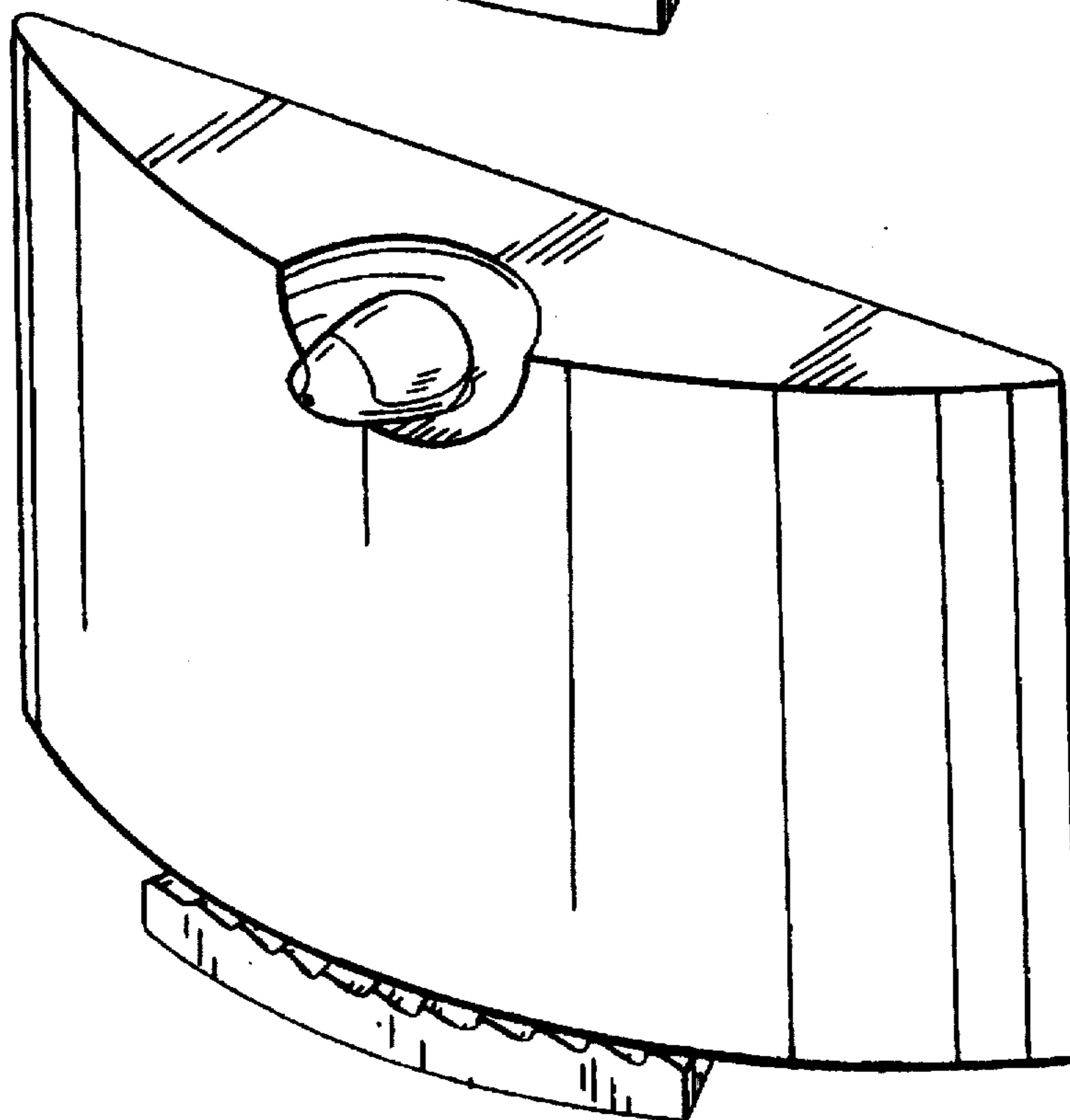


FIG. 3

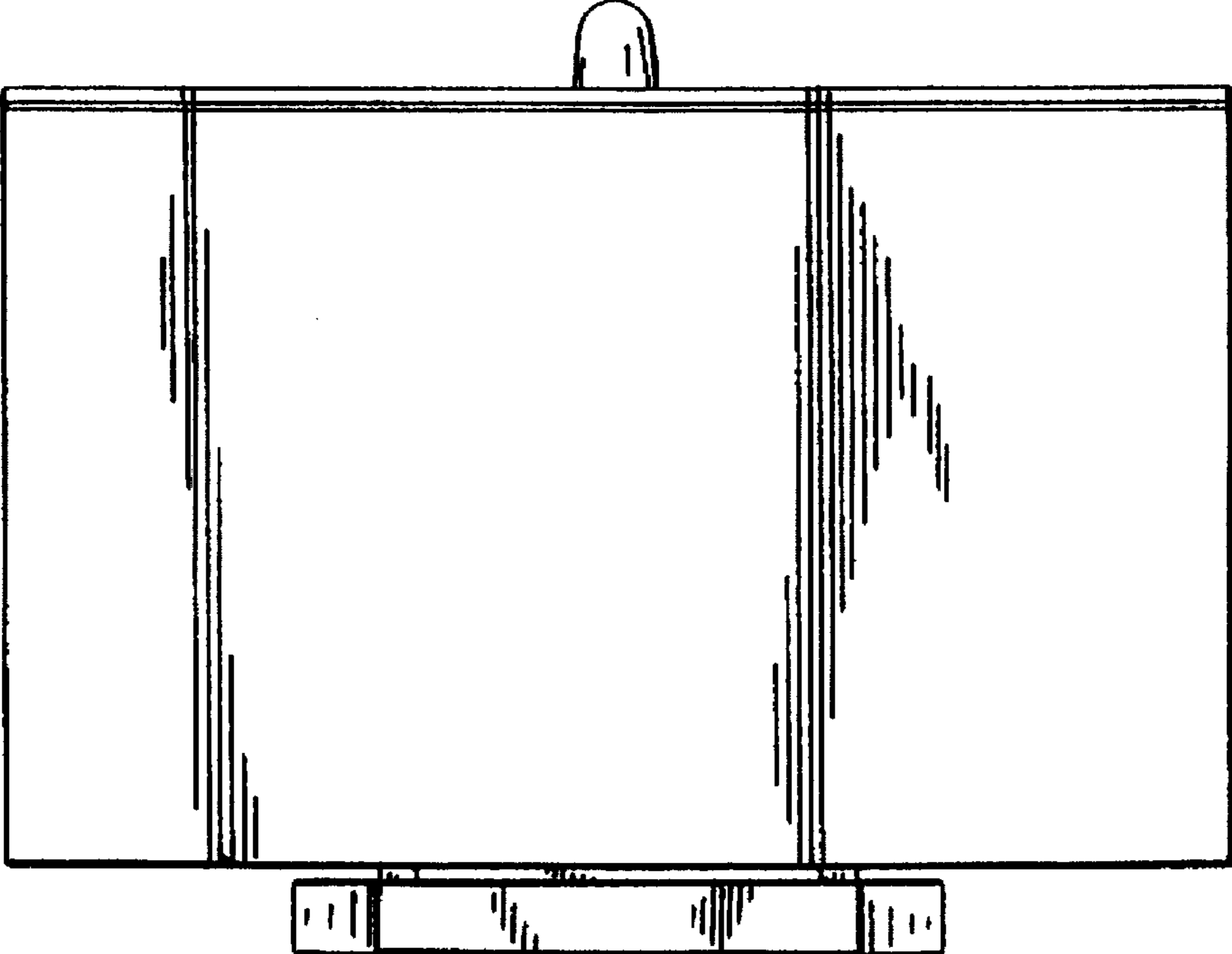


FIG. 4

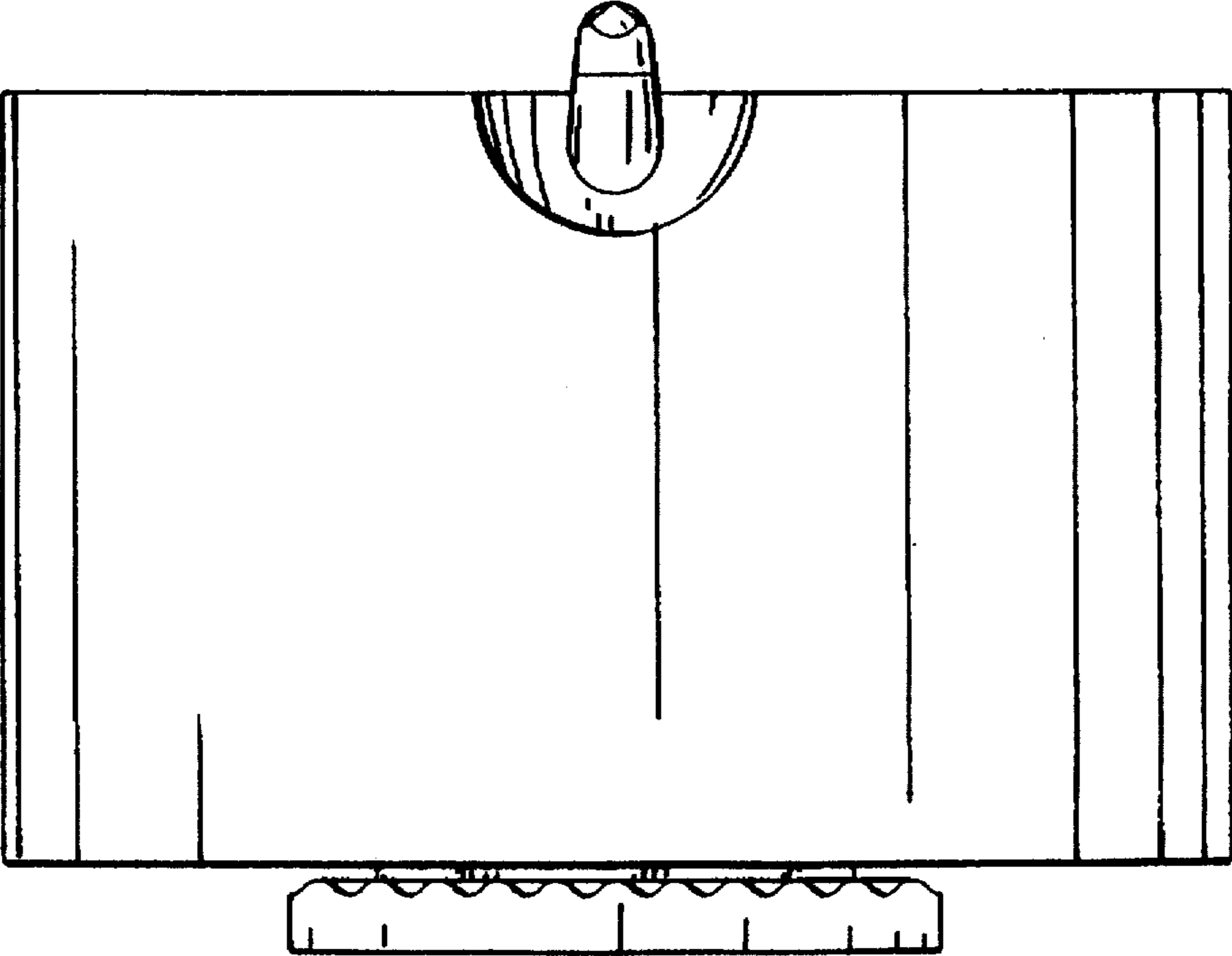


FIG. 5

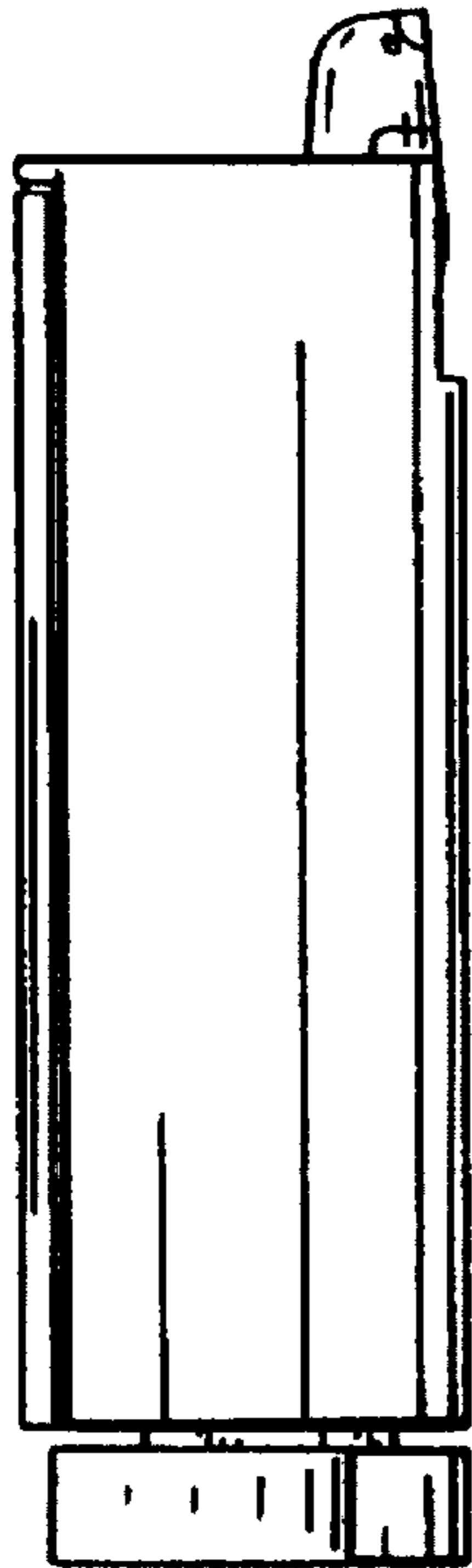


FIG. 6

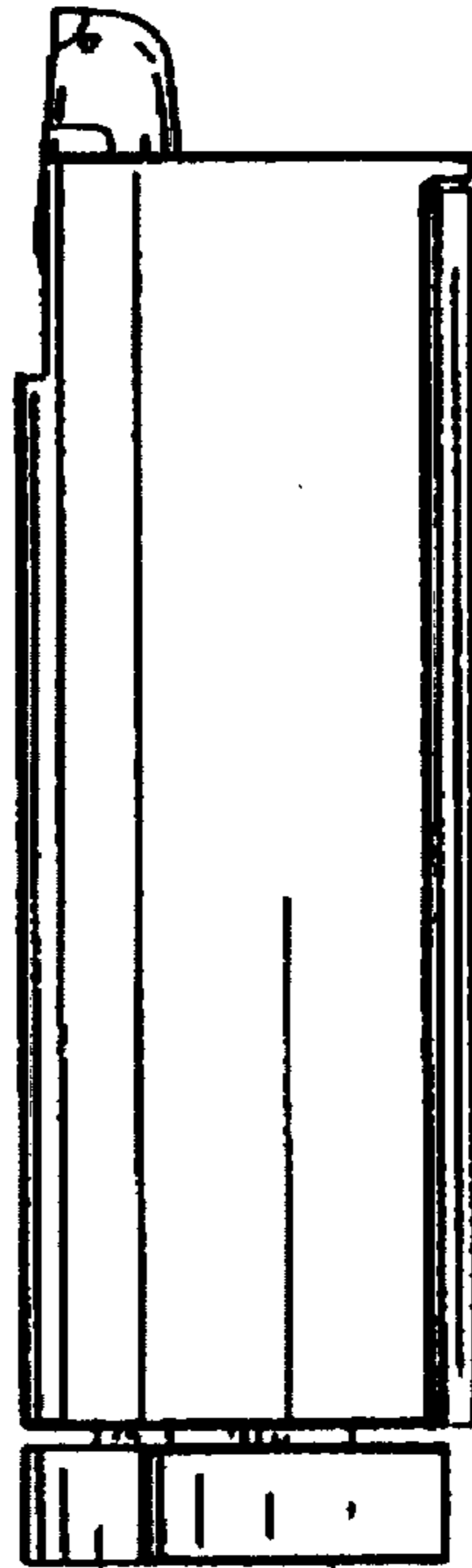


FIG. 7

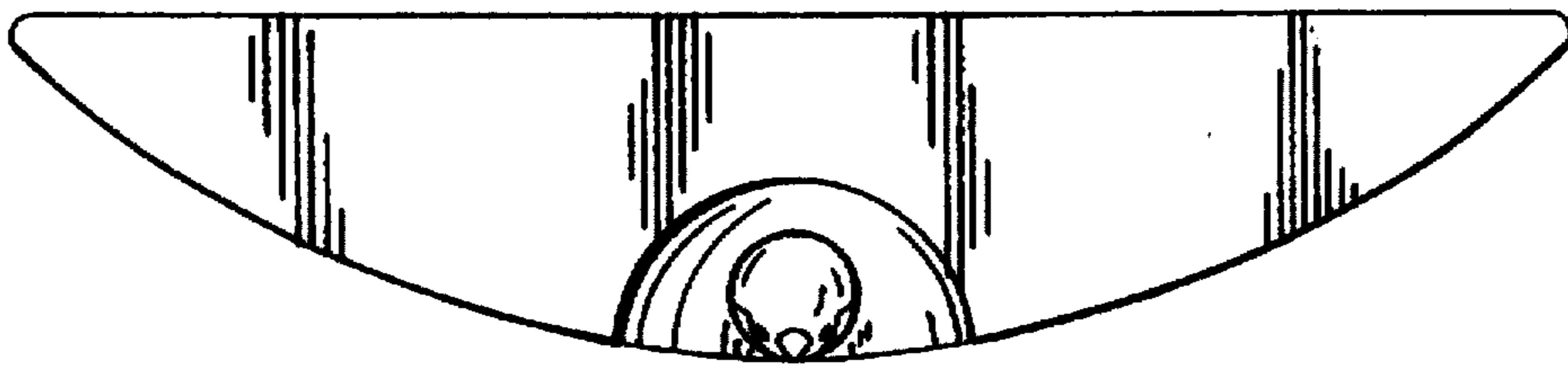


FIG. 8



FIG. 9

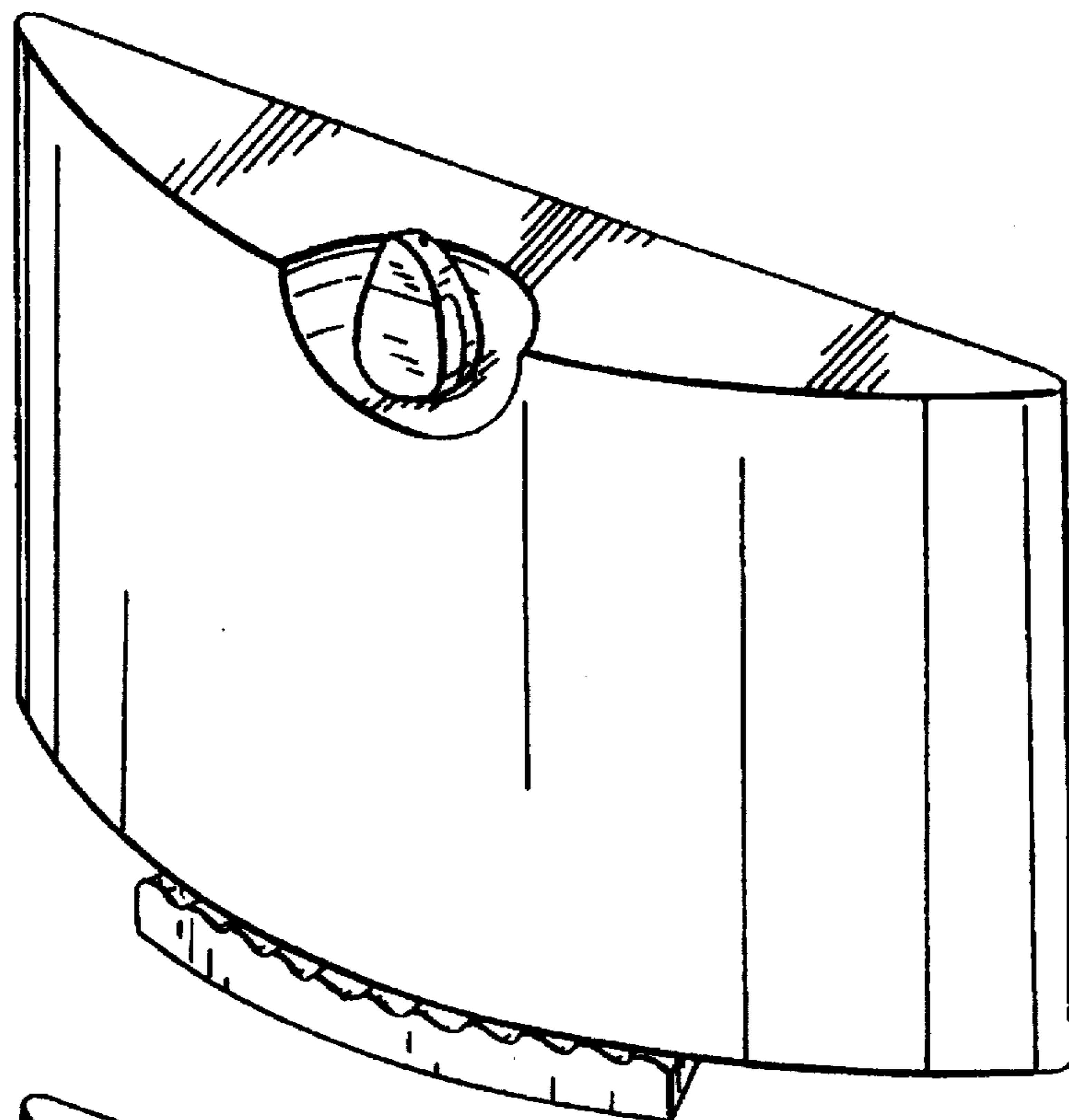


FIG. 10

