



US00D385558S

United States Patent [19]
Liu

[11] **Patent Number: Des. 385,558**

[45] **Date of Patent: **Oct. 28, 1997**

[54] **CORDLESS TELEPHONE**

[75] **Inventor: Frank Liu, Diamond Bar, Calif.**

[73] **Assignee: Unical Enterprises, Inc., City of Industry, Calif.**

[**] **Term: 14 Years**

[21] **Appl. No.: 57,310**

[22] **Filed: Jul. 23, 1996**

[51] **LOC (6) Cl. 14-03**

[52] **U.S. Cl. D14/148**

[58] **Field of Search D14/137, 138, D14/140, 142, 147-151, 240, 241; 379/58-61, 419, 420, 428, 440, 433-436, 454, 455; 455/89, 90**

[56] **References Cited**

U.S. PATENT DOCUMENTS

D. 302,154	7/1989	Ohta et al.	D14/138
D. 302,689	8/1989	Murakami et al.	D14/138
D. 327,060	6/1992	Wachob et al.	D14/147 X
D. 335,494	5/1993	Roegner	D14/138
D. 335,878	5/1993	Roegner	D14/138
D. 351,384	10/1994	Pena Anagarita	D14/149
D. 368,712	4/1996	Wicks et al.	D14/148

D. 369,800	5/1996	Kong et al.	D14/149
D. 372,027	7/1996	Tomoike	D14/148 X
D. 375,741	11/1996	Mo	D14/148 X

FOREIGN PATENT DOCUMENTS

3-62757	3/1991	Japan	379/433
---------	--------	------------	---------

OTHER PUBLICATIONS

B.A. Pargh Spring/Summer 1992, p. 316, **Panasonic Telephone at top right.**

Primary Examiner—Jeffrey Asch
Attorney, Agent, or Firm—Boniard I. Brown

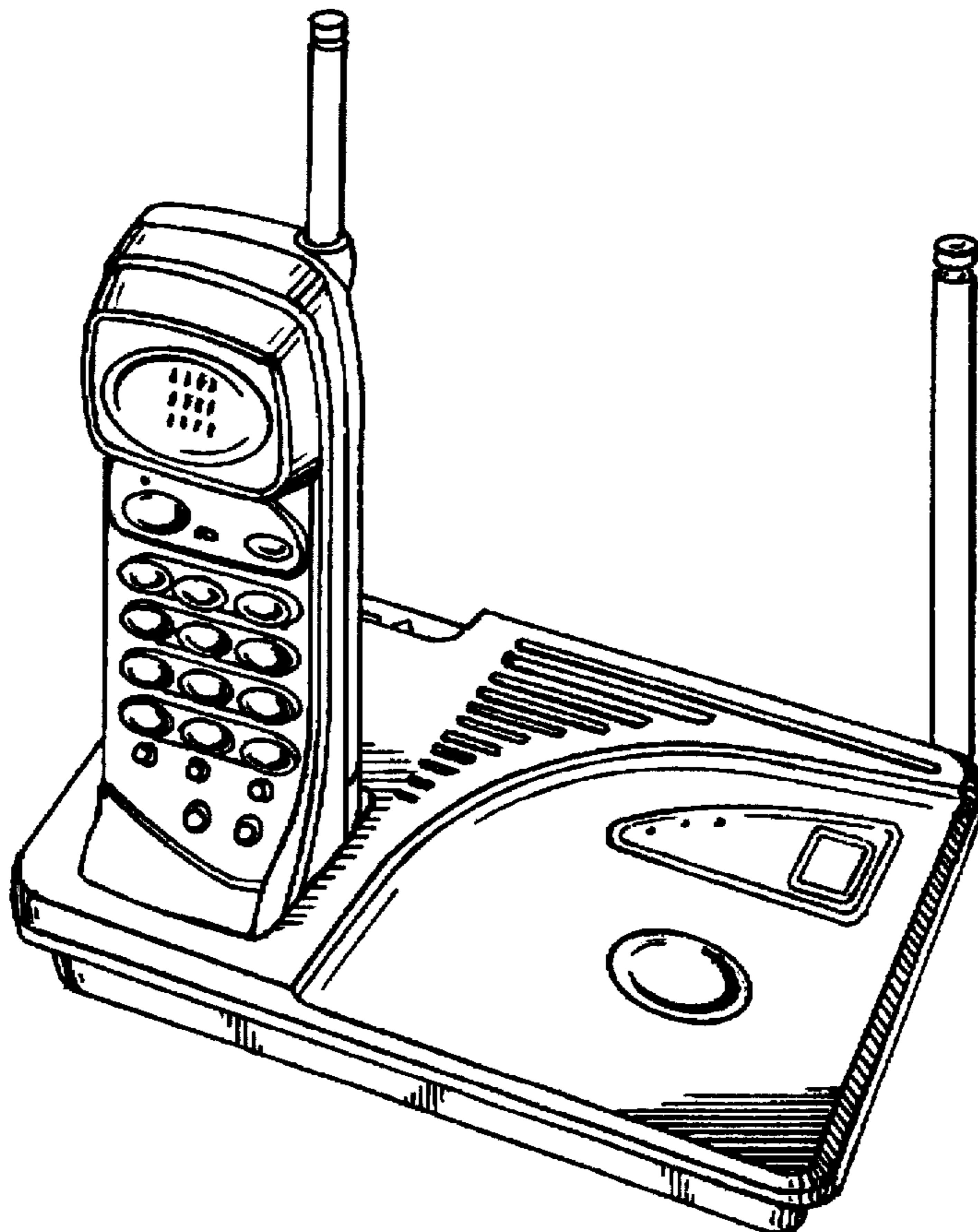
[57] **CLAIM**

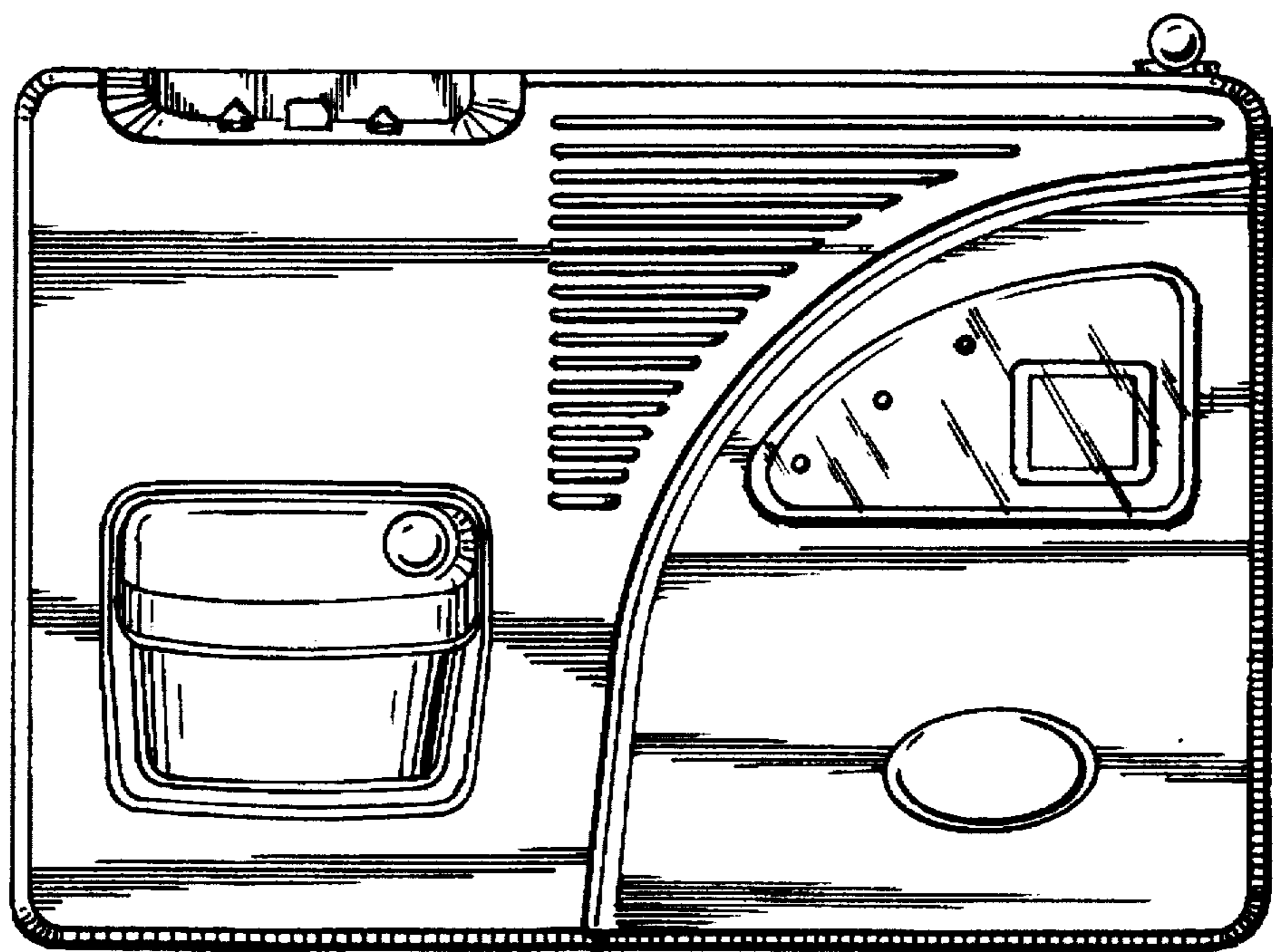
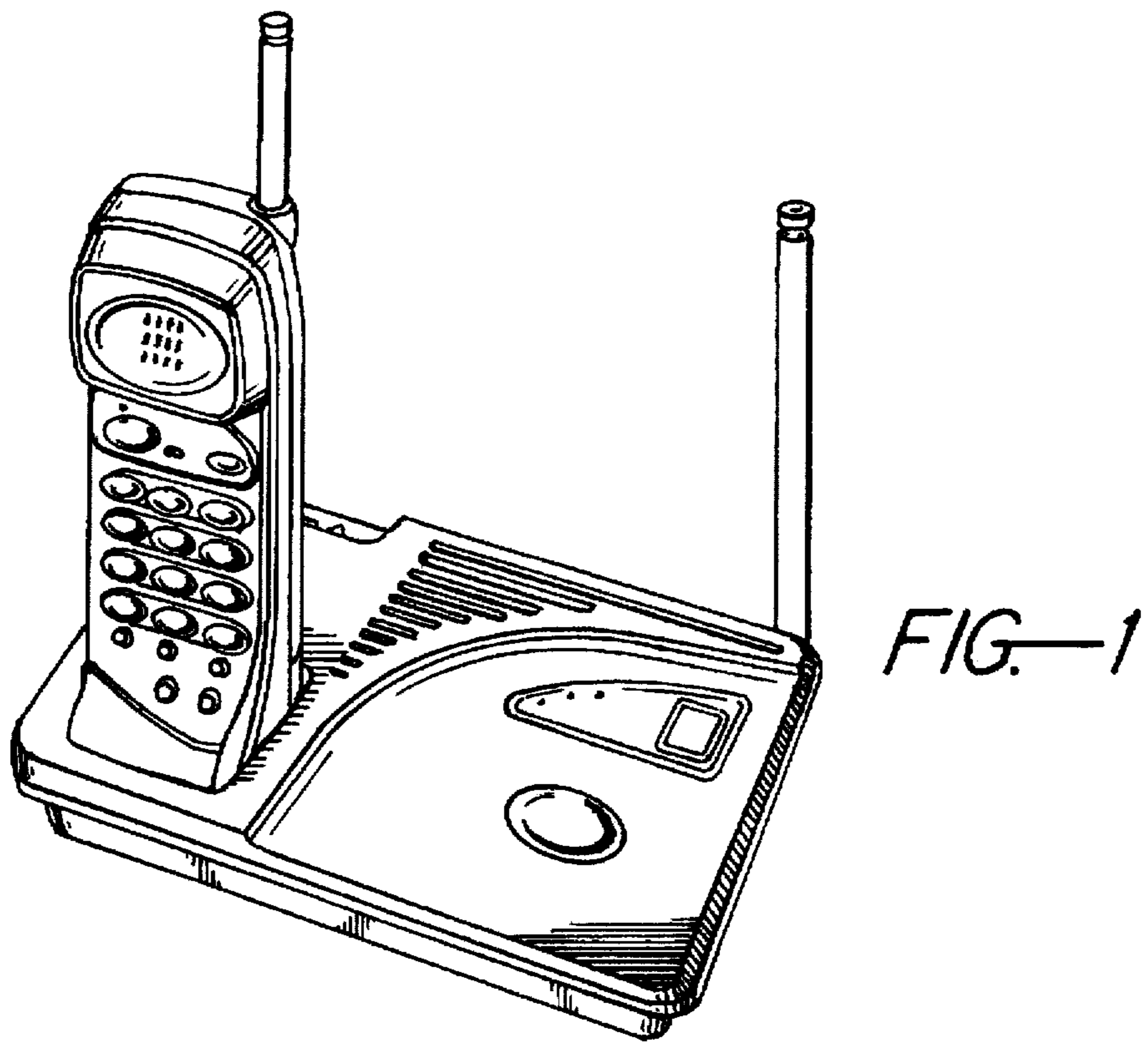
The ornamental design for cordless telephone, as shown and described.

DESCRIPTION

FIG. 1 is a perspective view of a cordless telephone, showing my new design;
FIG. 2 is a top plan view thereof;
FIG. 3 is a front elevational view thereof;
FIG. 4 is a bottom view thereof;
FIG. 5 is a rear elevational view thereof;
FIG. 6 is a side view thereof; and,
FIG. 7 is a side view, opposite to that shown in FIG. 6.

1 Claim, 4 Drawing Sheets





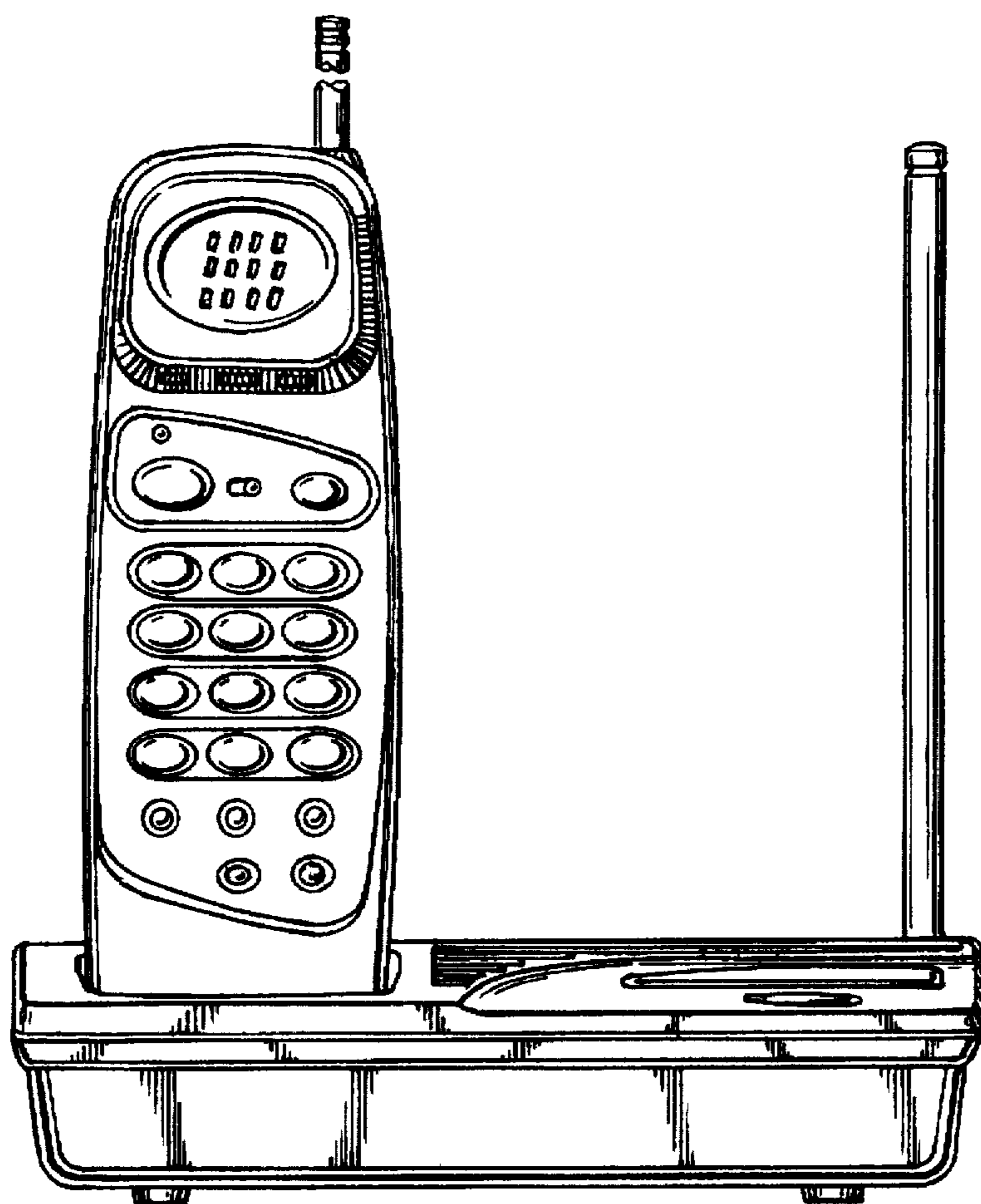


FIG.—3

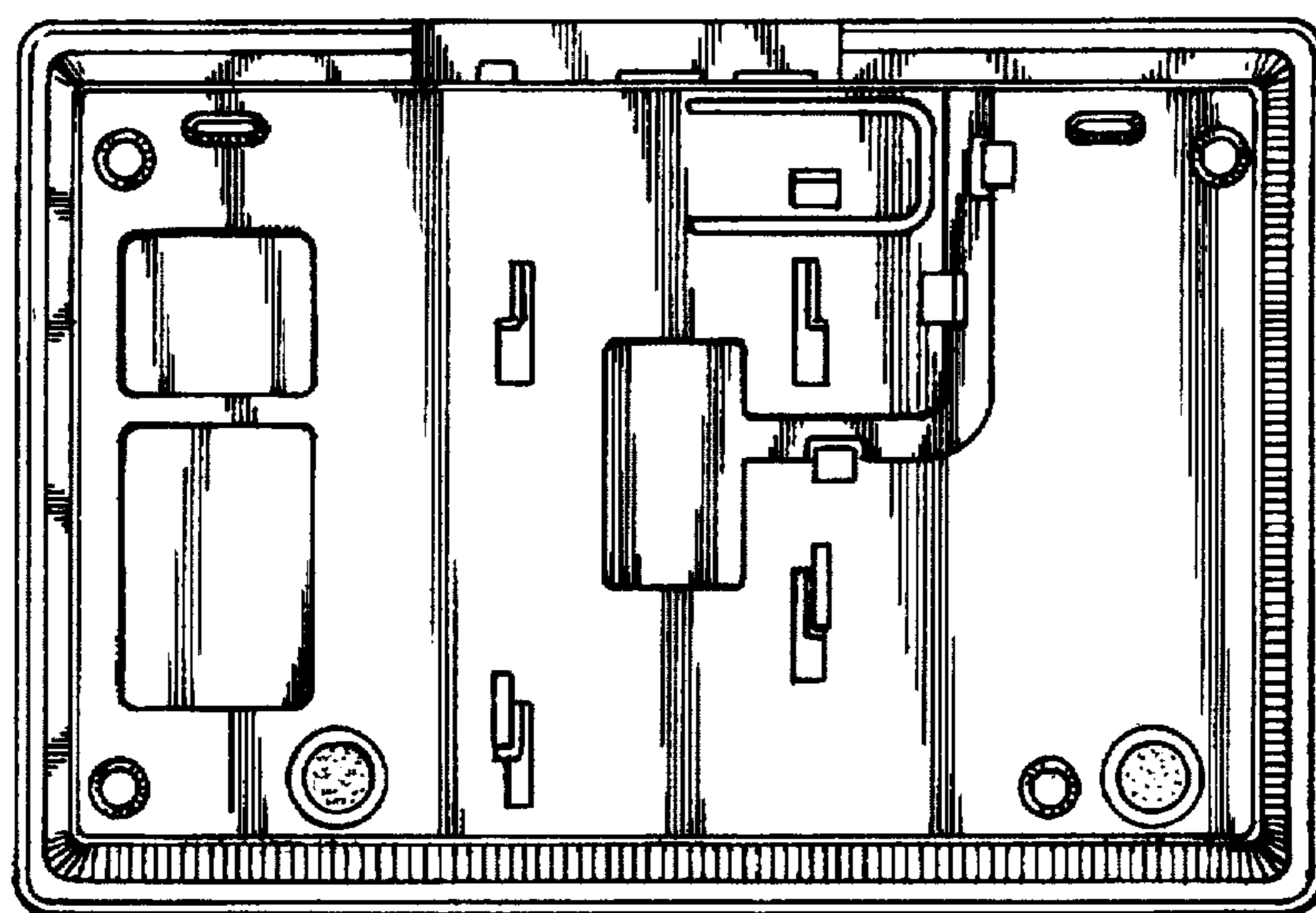


FIG.—4

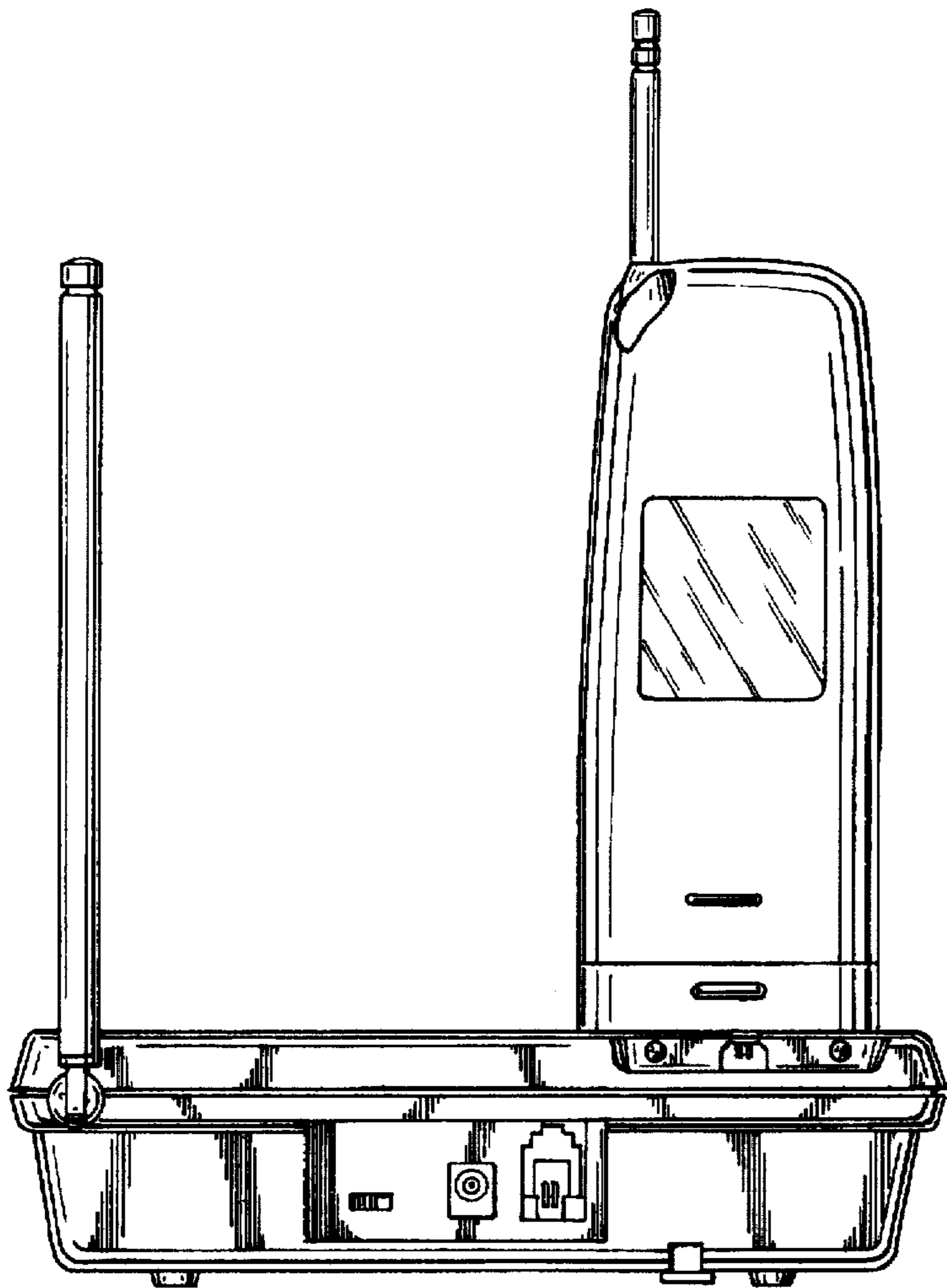


FIG.—5

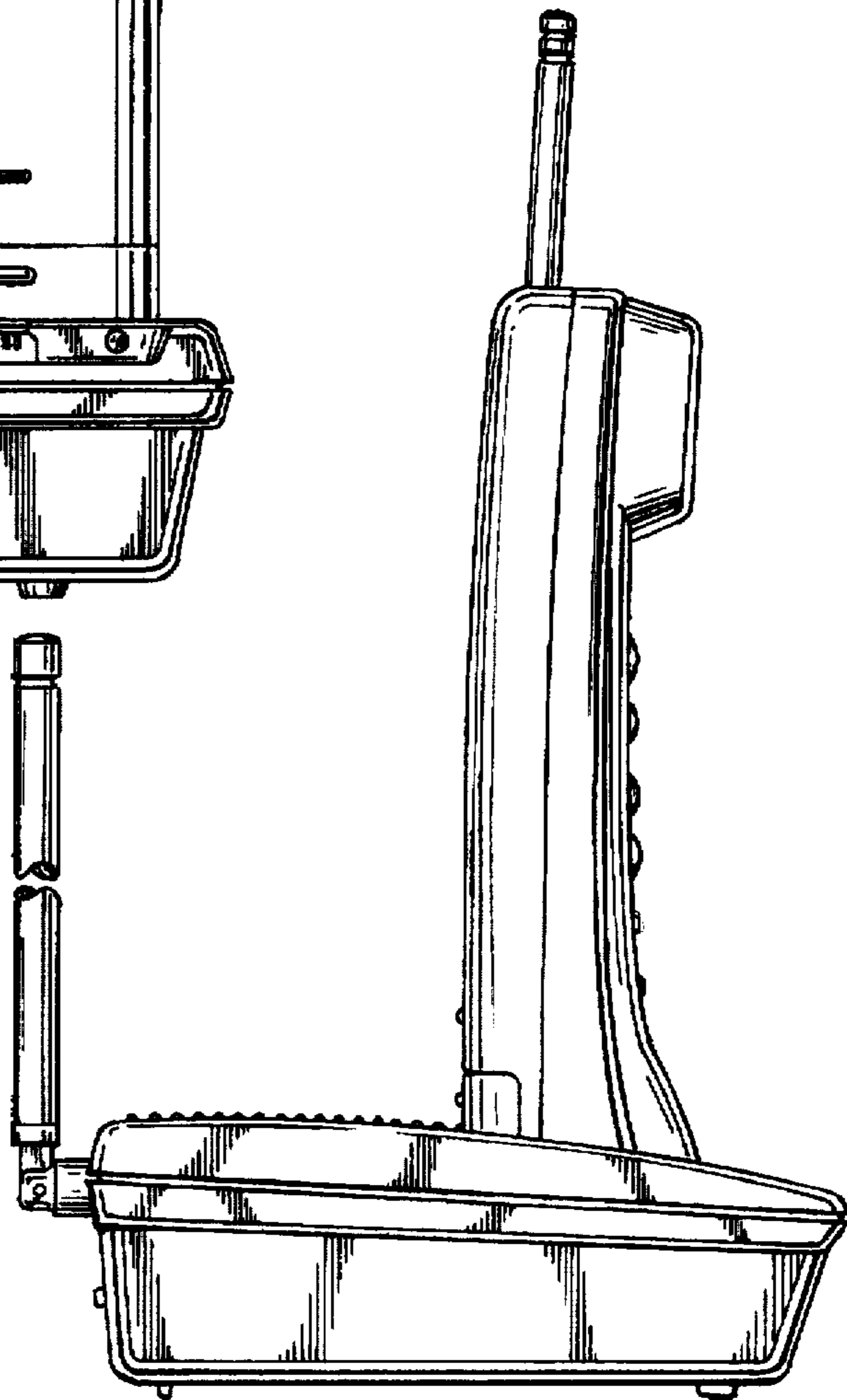


FIG.—6

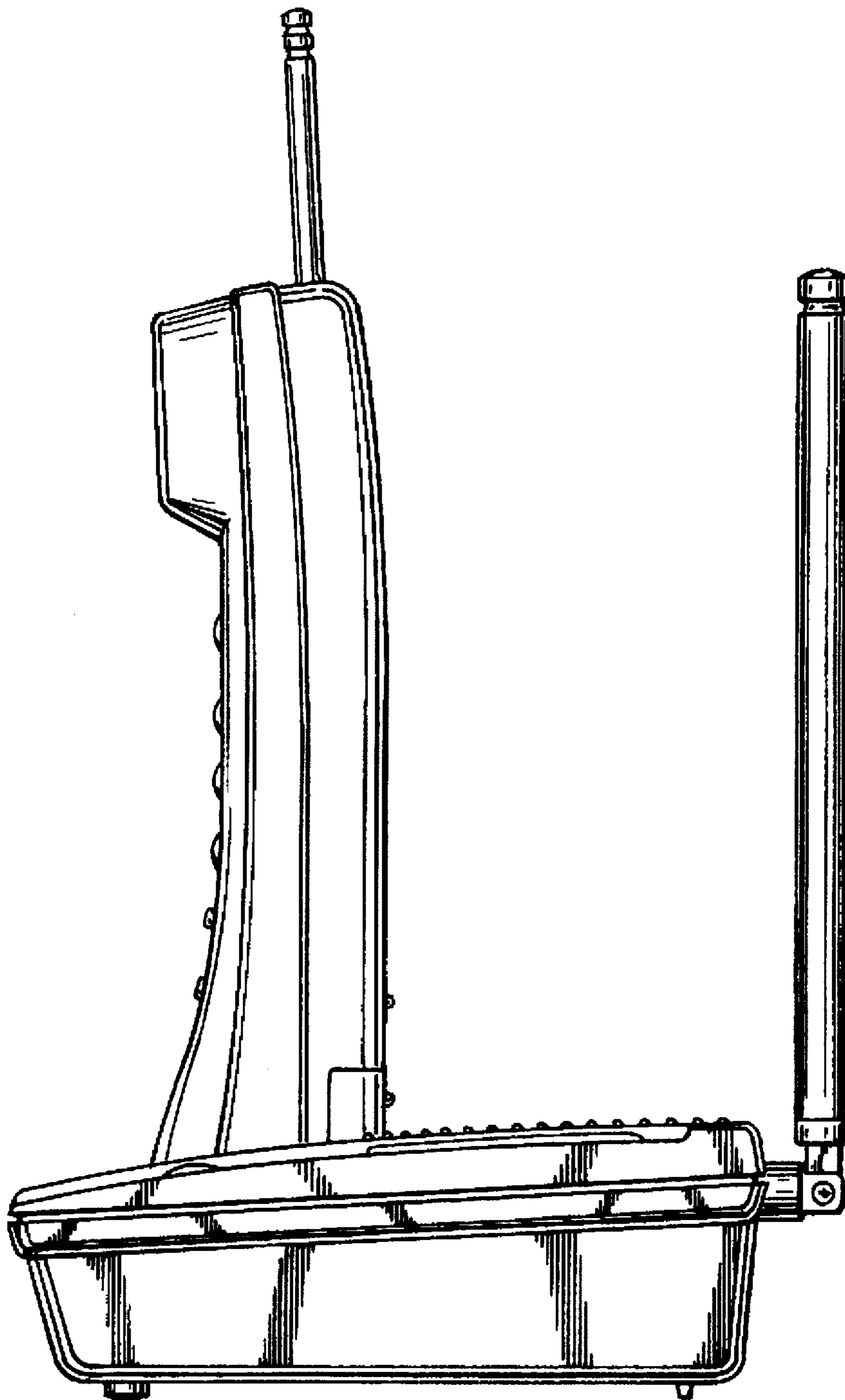


FIG.—7