

US00D385543S

United States Patent [19]

Phirippidis et al.

[11] Patent Number: **Des. 385,543**

[45] Date of Patent: ****Oct. 28, 1997**

[54] **ANTI GLARE HOOD FOR COMPUTER SCREENS**

[76] Inventors: **George Phirippidis**, 5815 Commerce Dr., Fremont, Calif. 94555; **Nord Andresen**, 27105 Dobbel Ave., Hayward, Calif. 94542

[**] Term: **14 Years**

[21] Appl. No.: **50,935**

[22] Filed: **Feb. 26, 1996**

[51] LOC (6) Cl. **14-02**

[52] U.S. Cl. **D14/114; D14/239**

[58] Field of Search D14/114, 239; 348/373, 832, 834, 842; 353/97; 359/507, 601, 609, 611-614, 738, 857, 863

[56] **References Cited**

U.S. PATENT DOCUMENTS

D. 305,648 1/1990 Edington D14/114

D. 342,483	12/1993	Bergeron et al.	D14/100
3,001,015	9/1961	Weiss	359/601 X
4,569,572	2/1986	Kopich	348/373 X
4,779,139	10/1988	Lapeyre et al.	358/252
5,095,385	3/1992	Stroll, Jr.	359/609
5,115,345	5/1992	Hobson et al.	359/601
5,155,627	10/1992	Keehn et al.	359/609
5,200,859	4/1993	Payner et al.	359/857
5,233,468	8/1993	McNulty	359/601
5,243,463	9/1993	Waitroob	359/601

Primary Examiner—Freda Nunn

[57] **CLAIM**

The ornamental design for an anti glare hood for computer screens, as shown and described.

DESCRIPTION

FIG. 1 is a top and right side perspective view of an anti glare hood for computer screens; FIG. 2 is a left side elevated view thereof; and, FIG. 3 is a top plan view thereof.

1 Claim, 3 Drawing Sheets

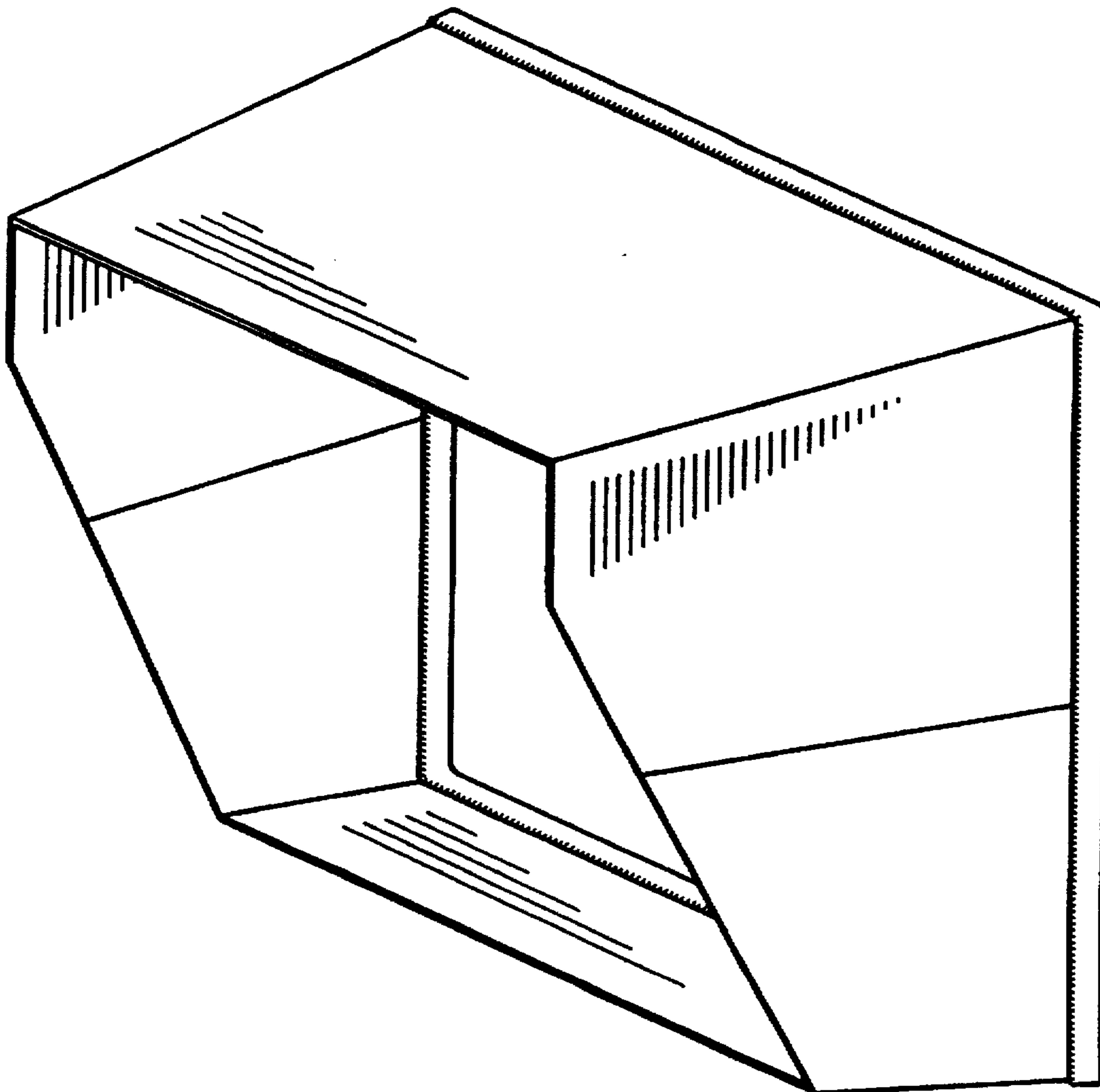


FIG. 1

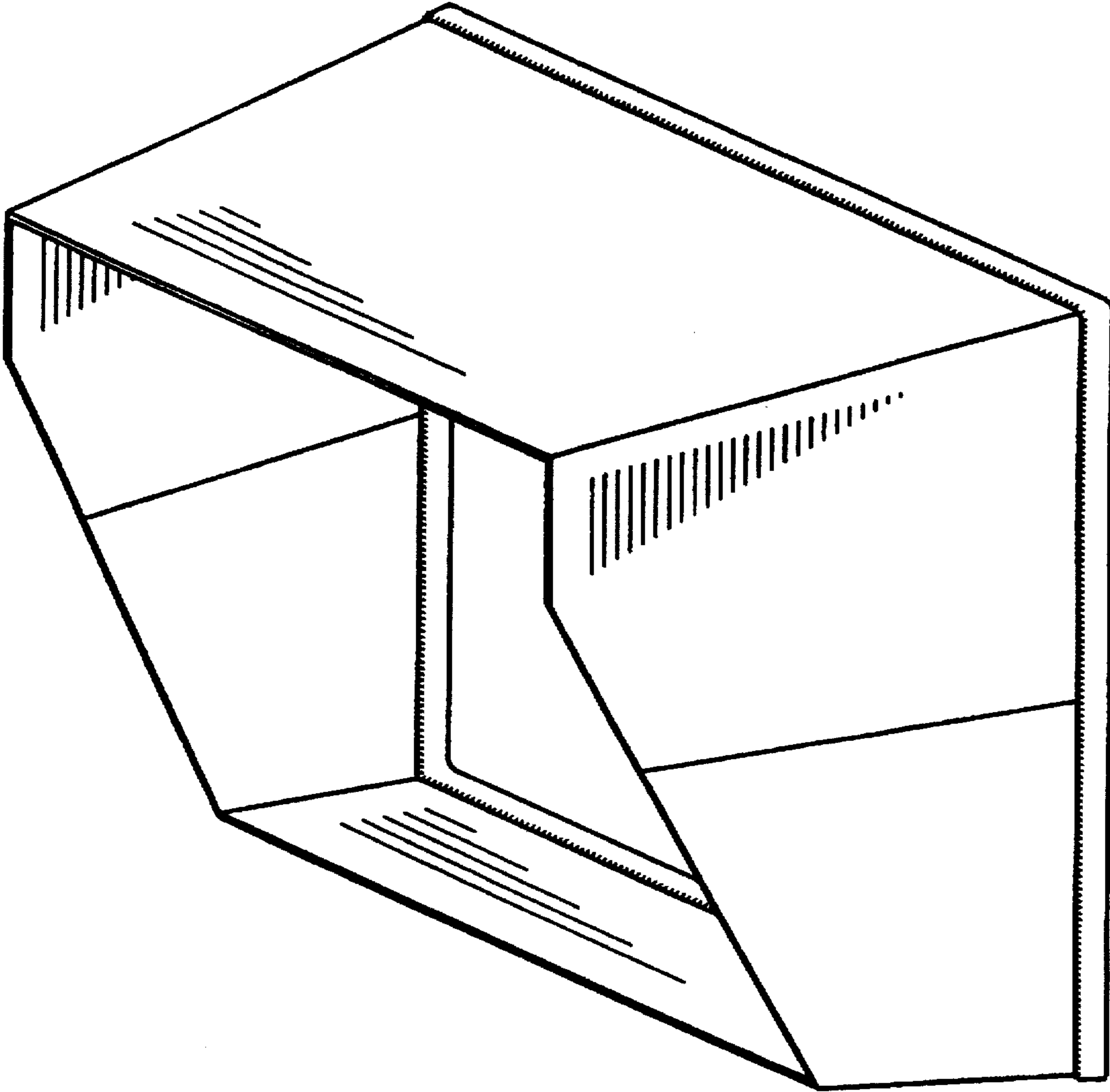


FIG. 2

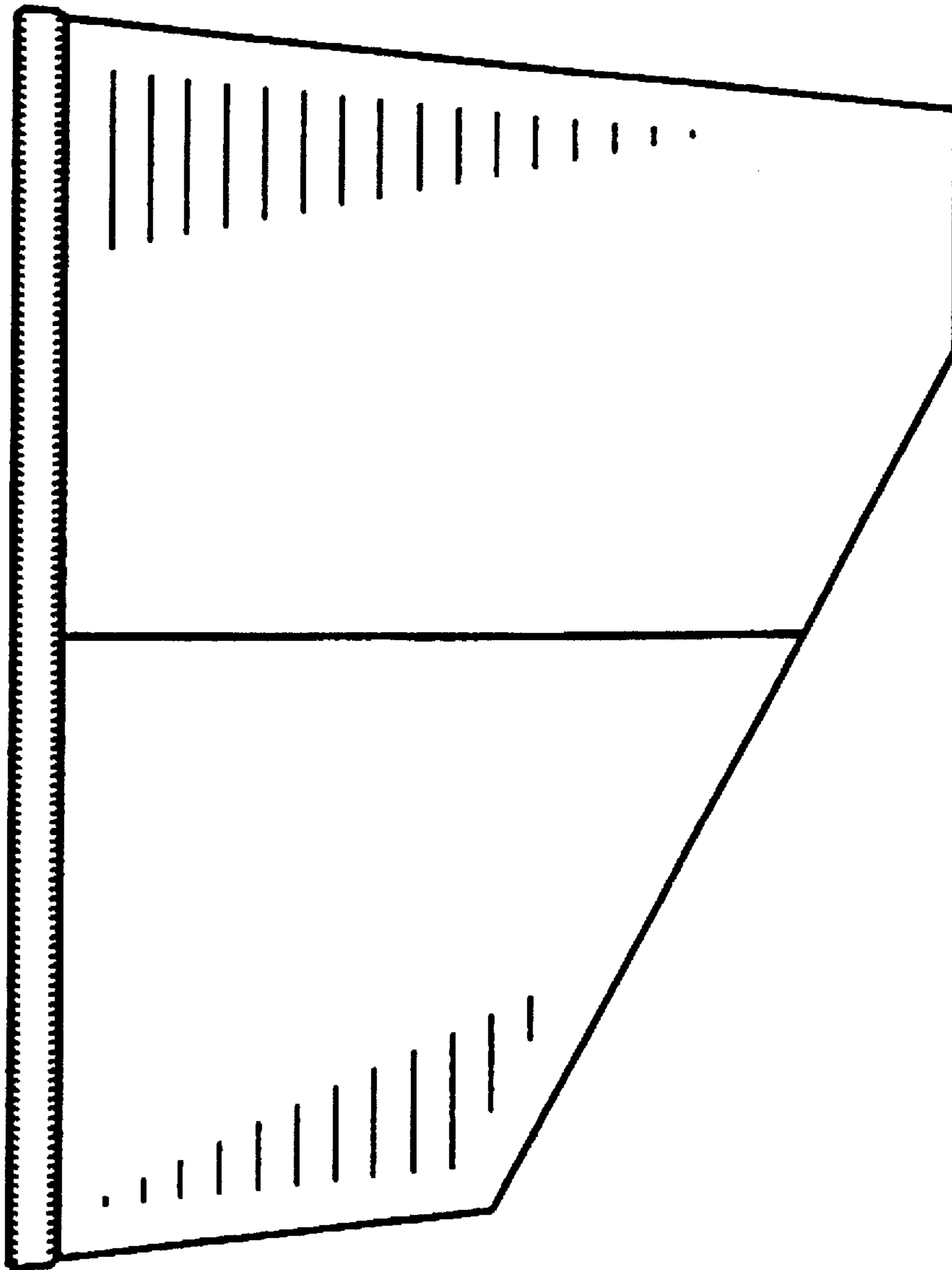


FIG. 3

