



US00D385534S

United States Patent [19]

[11] Patent Number: **Des. 385,534**

Iwama et al.

[45] Date of Patent: ****Oct. 28, 1997**

[54] **PORTABLE COMPUTER**

[75] Inventors: **Yukiko Iwama**, Kokubunji; **Noriyoshi Ogura**, Sayama; **Atsuhiko Urushihara**, Kokubunji; **Taisuke Kashima**, Urawa; **Tooru Kiyota**, Tachikawa; **Yasushi Noho**, Ebina; **Naoyuki Sakamoto**, Yokohama, all of Japan

[73] Assignee: **Hitachi, Ltd.**, Tokyo, Japan

[**] Term: **14 Years**

[21] Appl. No.: **53,334**

[22] Filed: **Apr. 15, 1996**

[30] **Foreign Application Priority Data**

Oct. 13, 1995 [JP] Japan 7-030384

[51] LOC (6) Cl. **14-02**

[52] U.S. Cl. **D14/106**

[58] Field of Search D14/100, 101, D14/106, 113, 115, 126; D18/1, 2, 7; 235/145 A, 145 R; 345/104, 156, 168, 173; 341/22, 23; 361/680-686; 364/708.1; 400/486, 489

[56] **References Cited**

U.S. PATENT DOCUMENTS

D. 364,387 11/1995 Chiba et al. D14/106

Primary Examiner—Freda Nunn

Attorney, Agent, or Firm—Antonelli, Terry, Stout & Kraus, LLP.

[57] **CLAIM**

The ornamental design for a portable computer, as shown and described.

DESCRIPTION

FIG. 1 is a front, top and right side perspective view of a portable computer showing our new design; FIG. 2 is a front elevational view thereof; FIG. 3 is a right side elevational view thereof; FIG. 4 is a top plan view thereof; FIG. 5 is a rear elevational view thereof; FIG. 6 is a left side elevational view thereof; FIG. 7 is a bottom plan view thereof; and, FIG. 8 is a front top and right side perspective view thereof showing the cover closed.

1 Claim, 4 Drawing Sheets

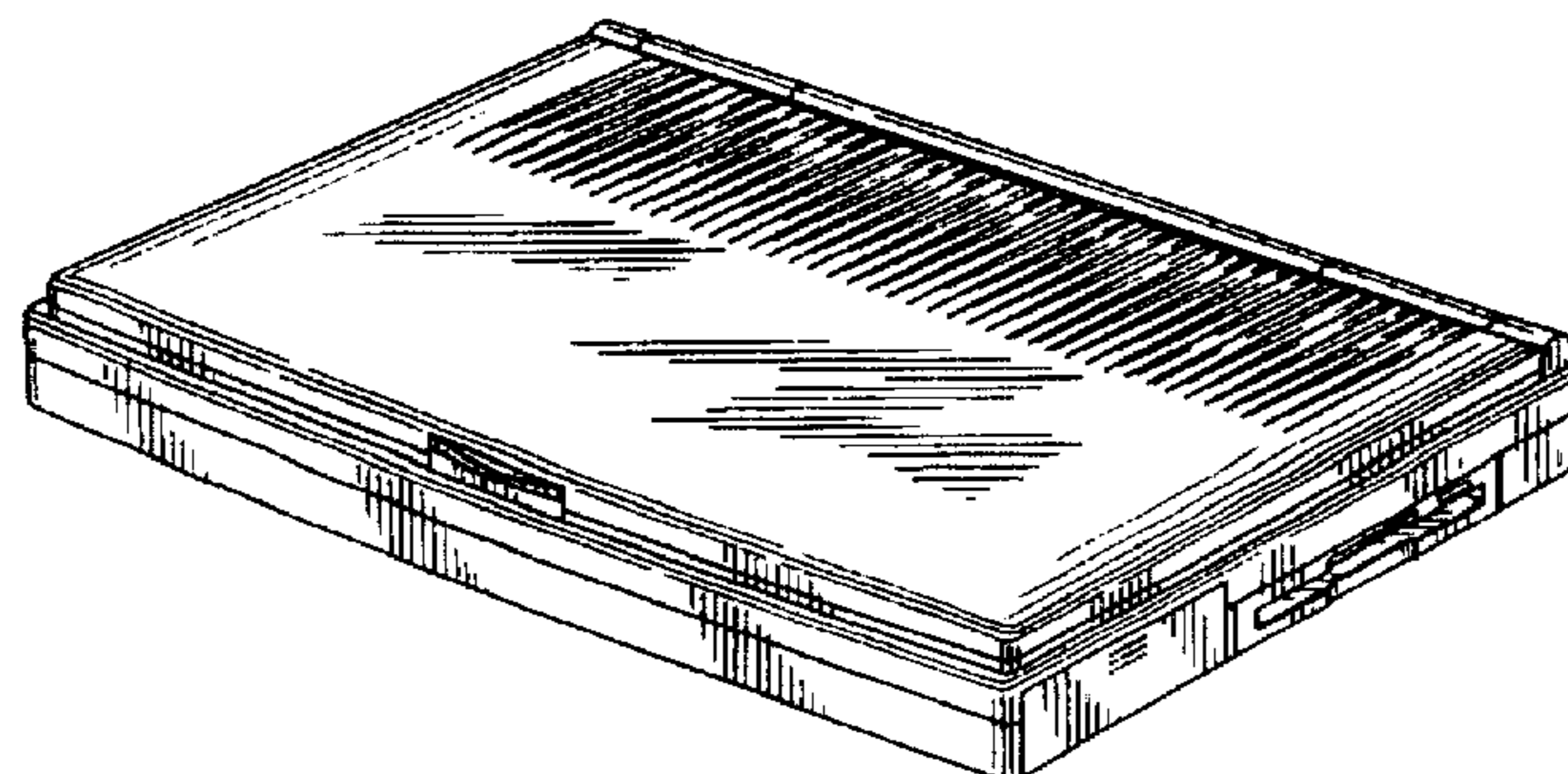
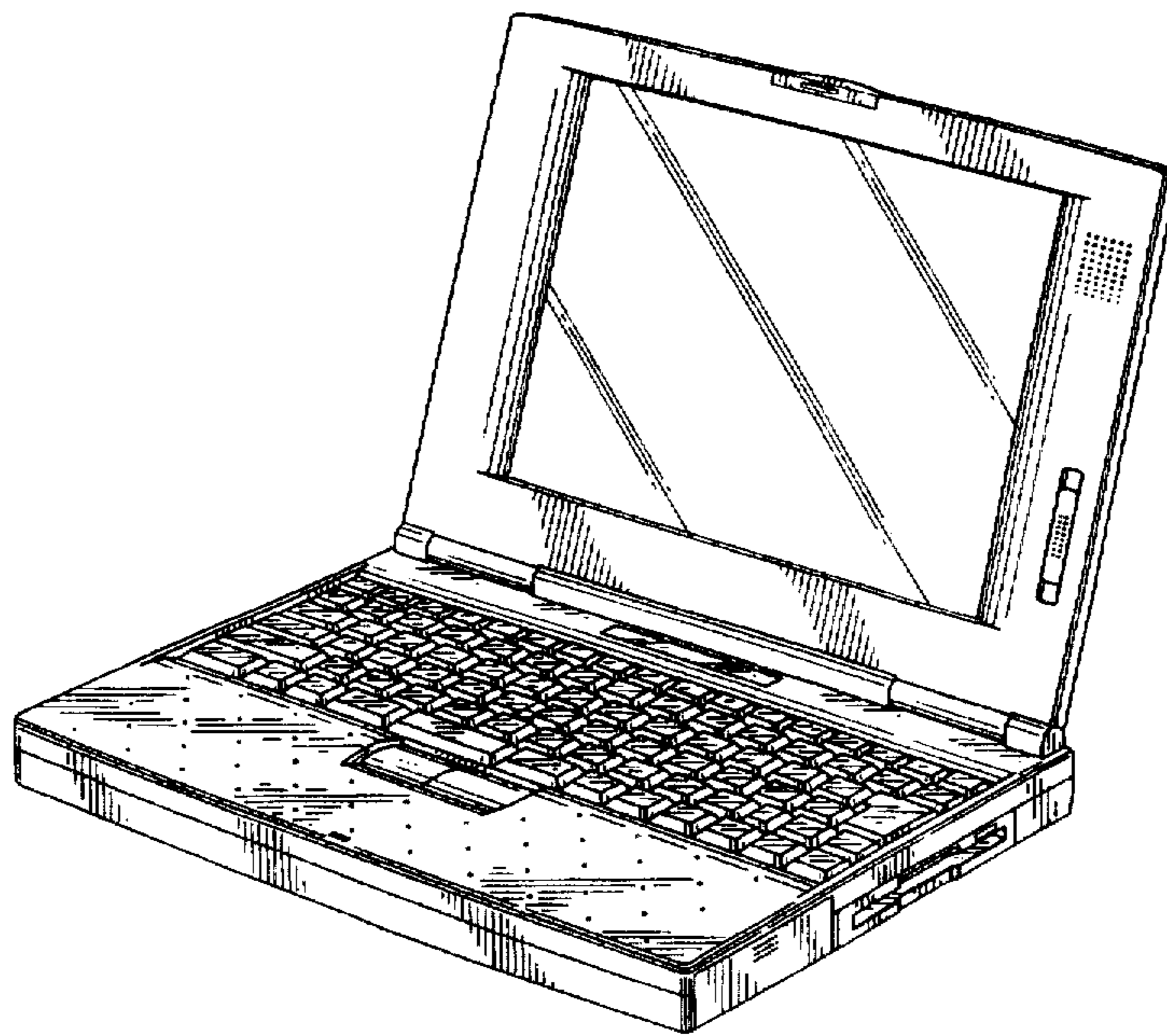


FIG. 1

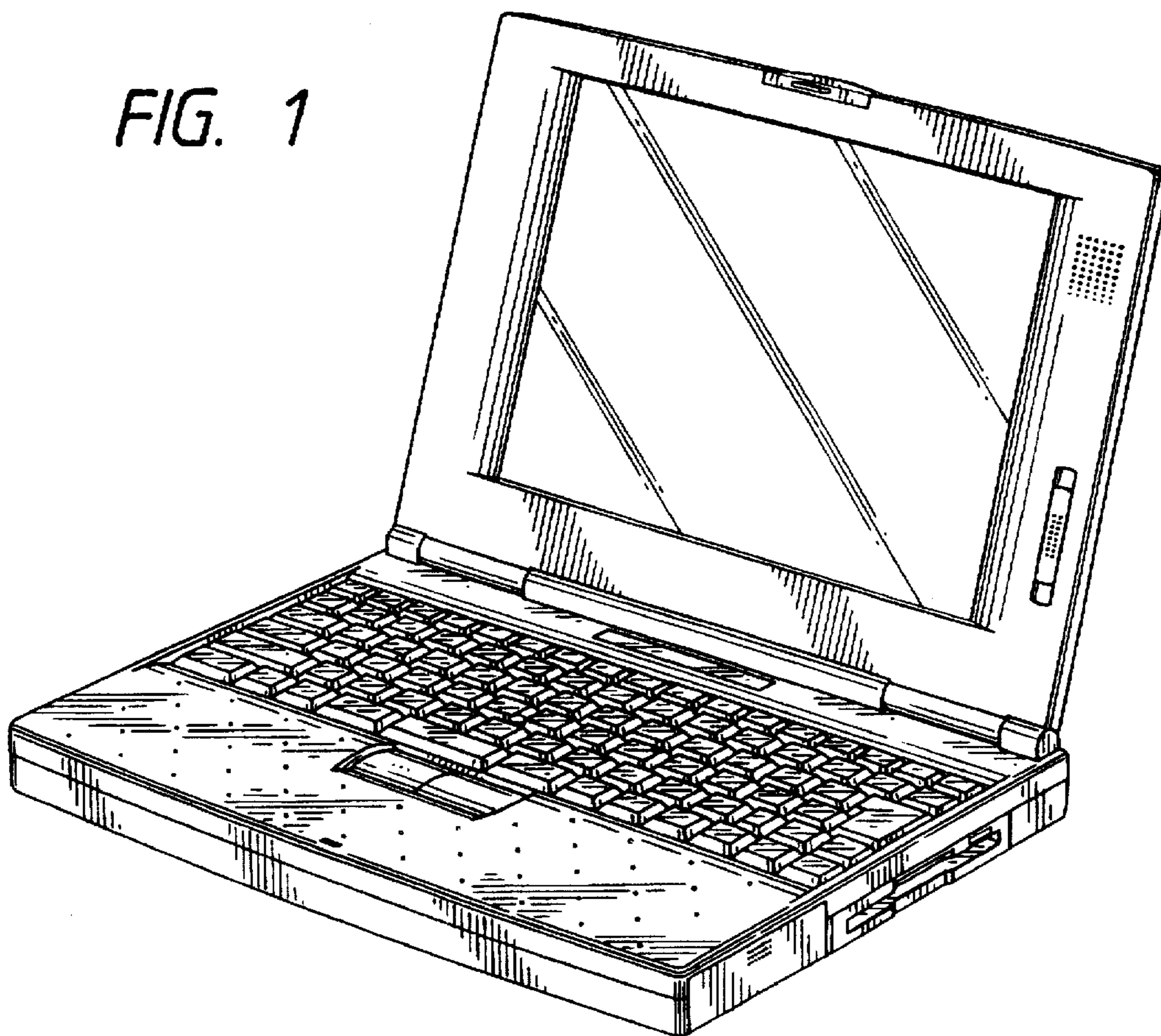


FIG. 2

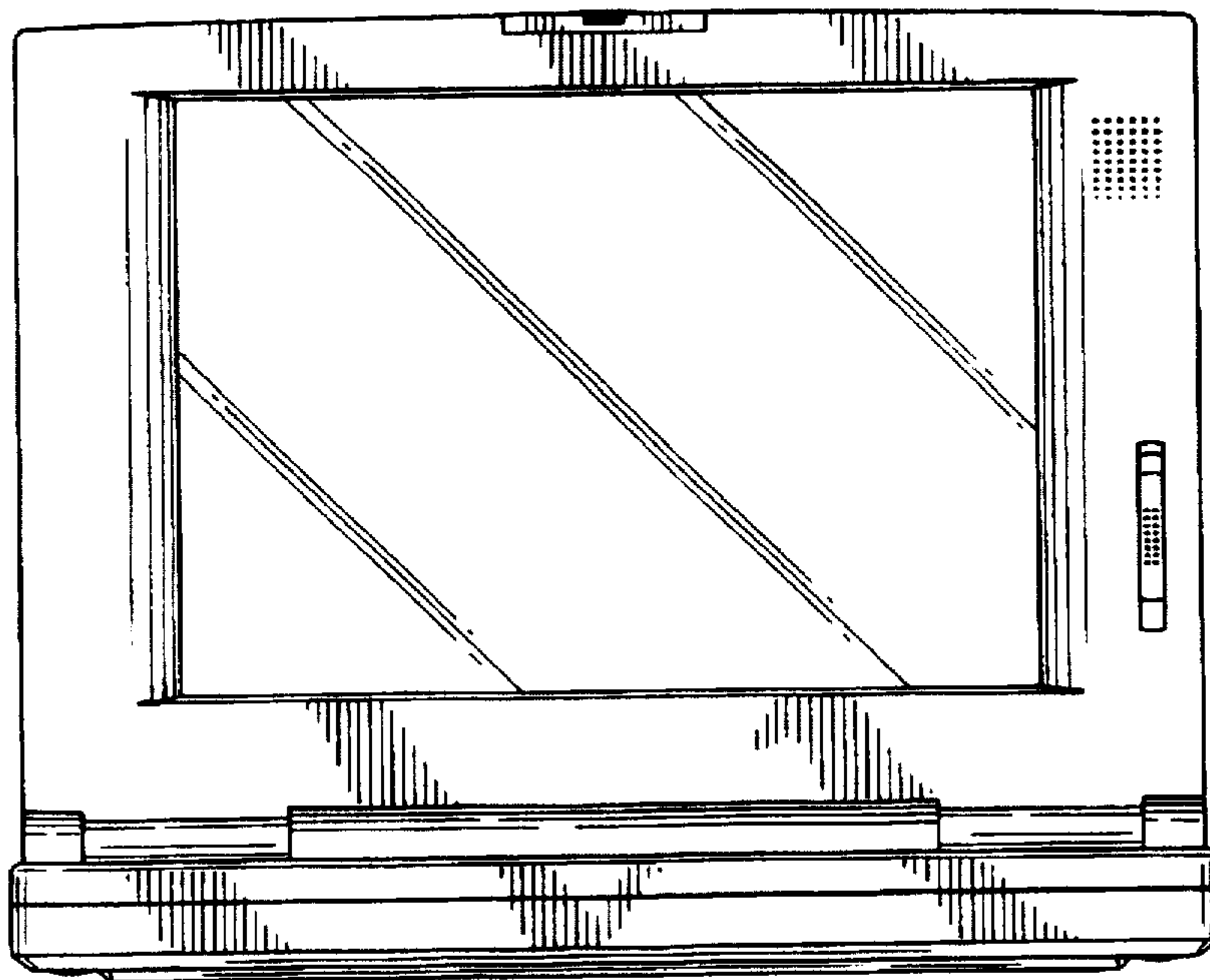


FIG. 3

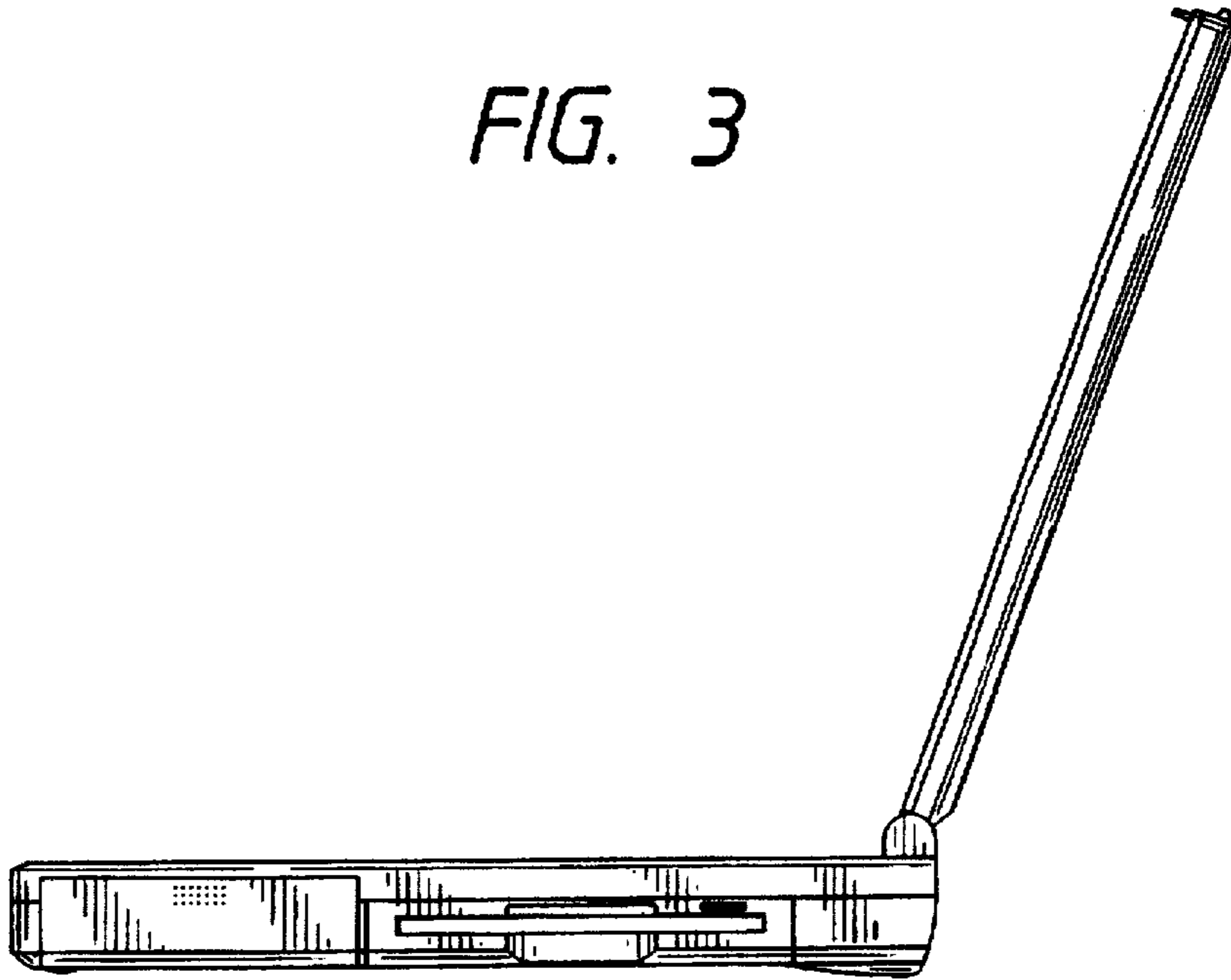


FIG. 4

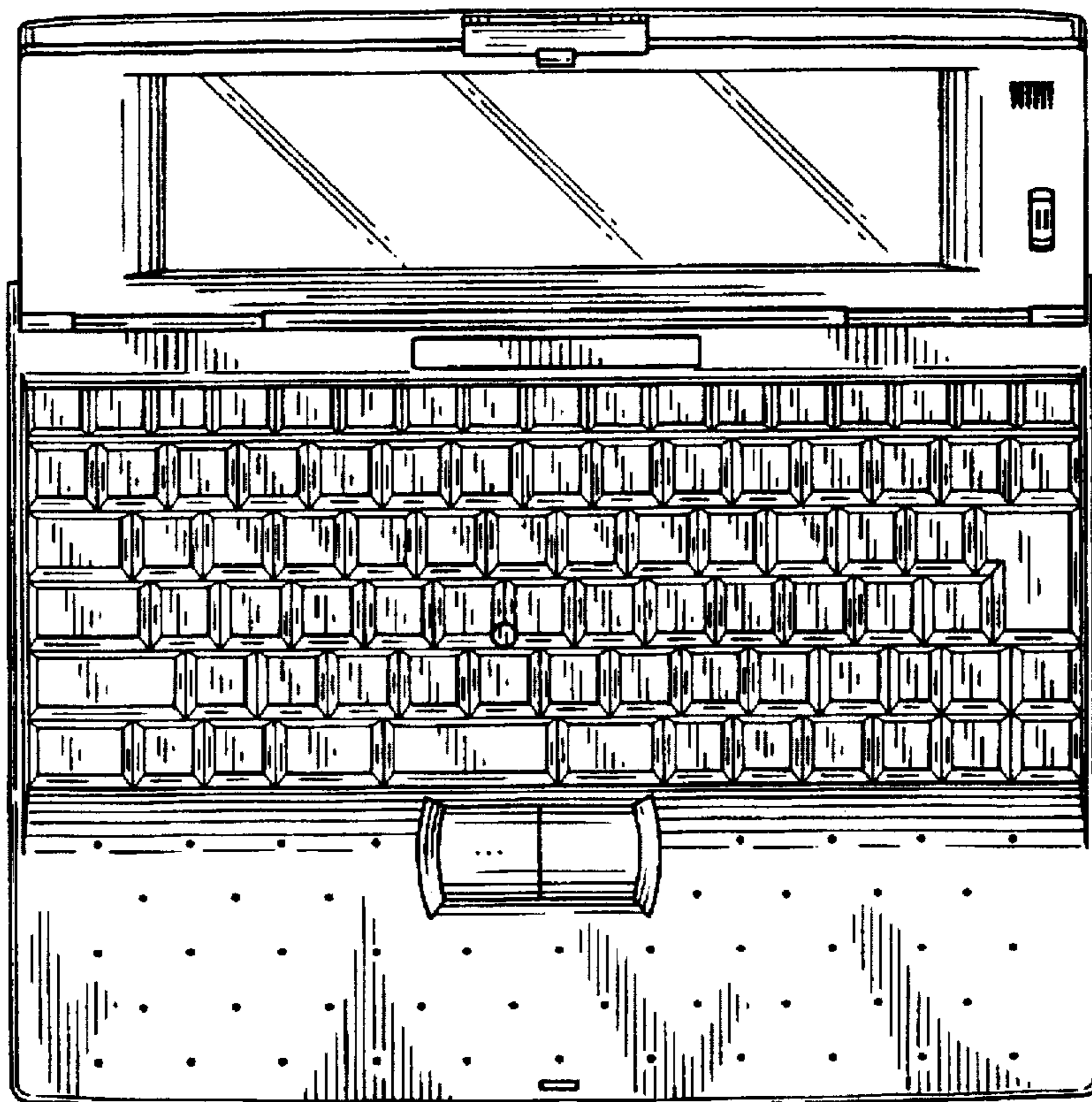


FIG. 5

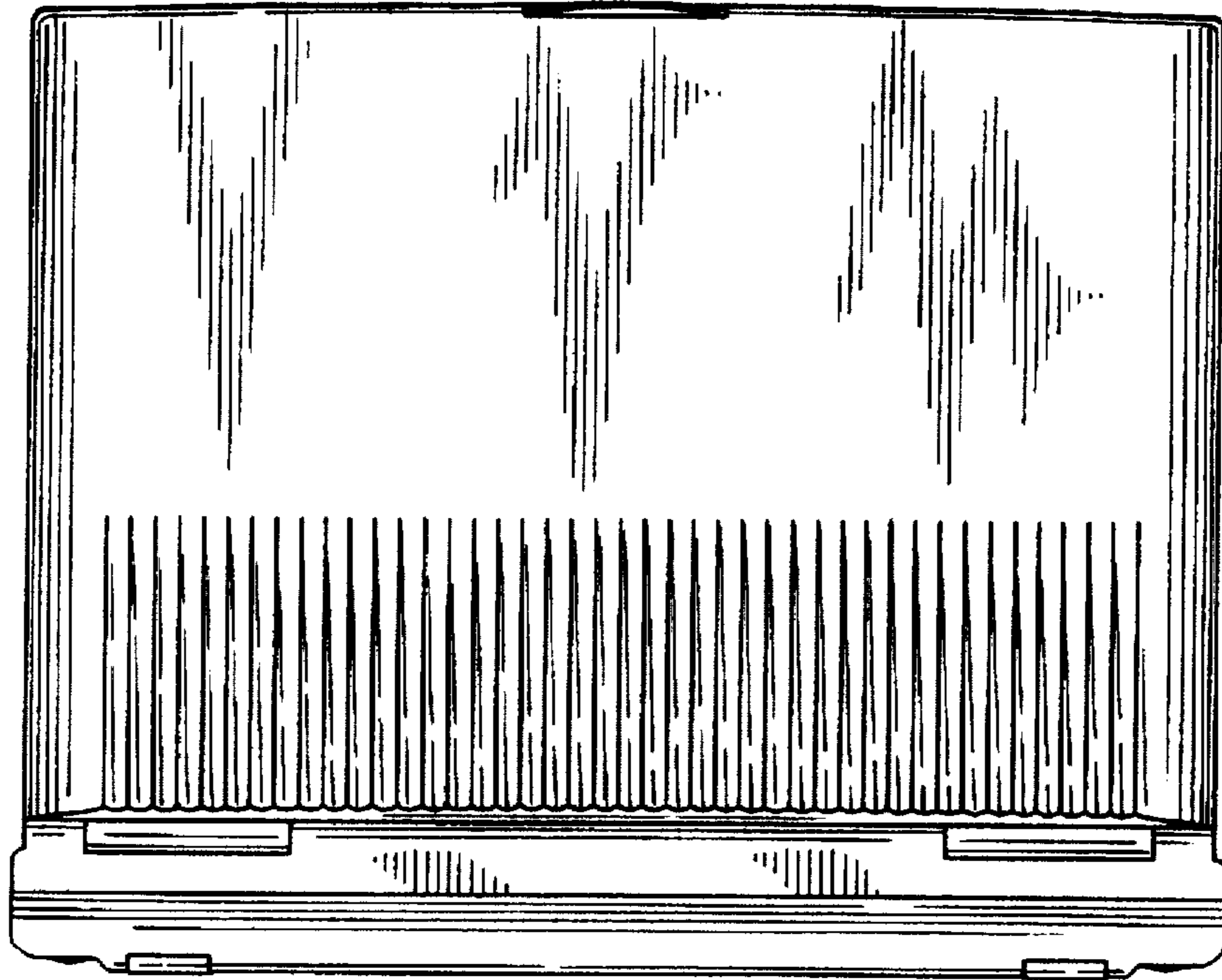


FIG. 6

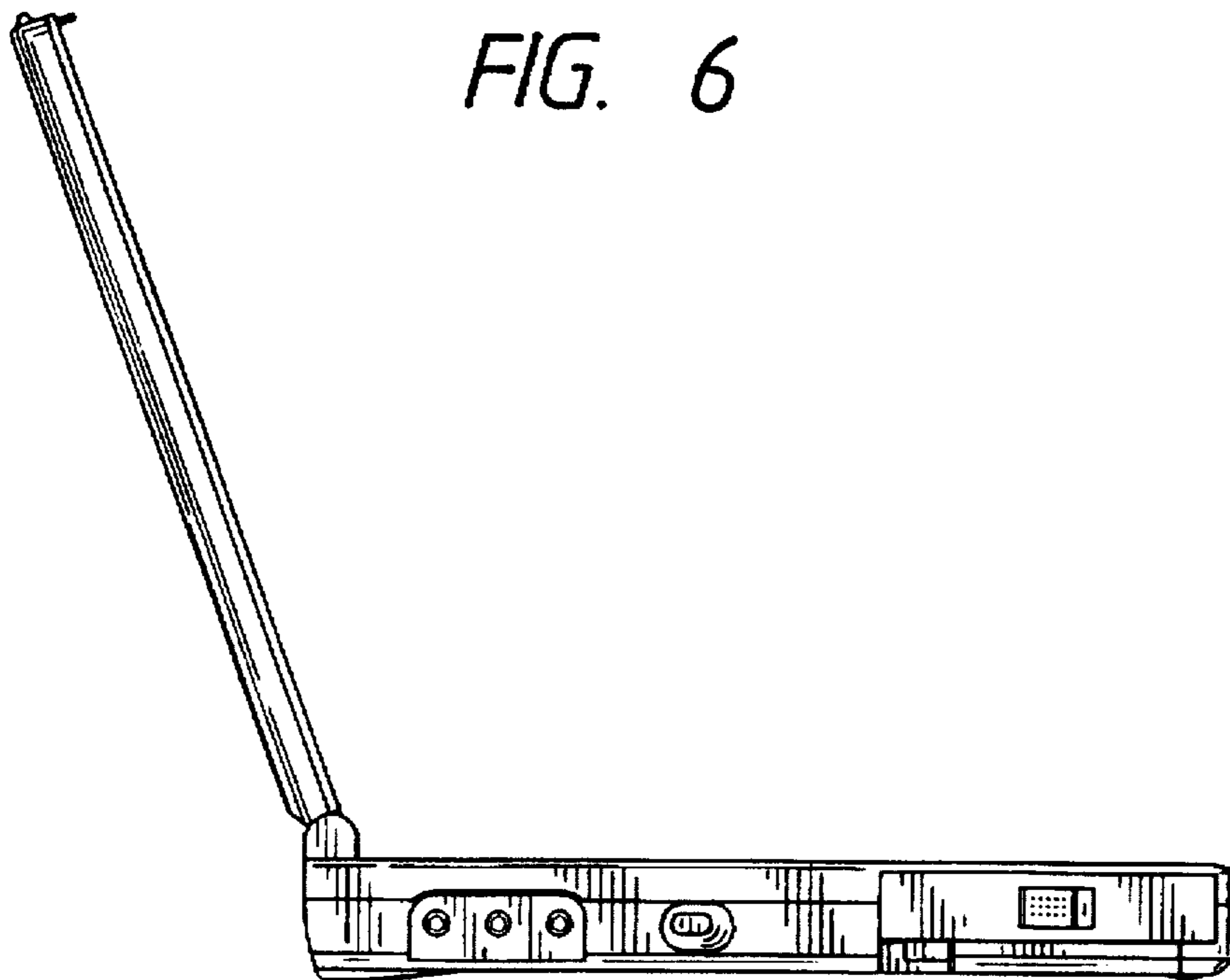


FIG. 7

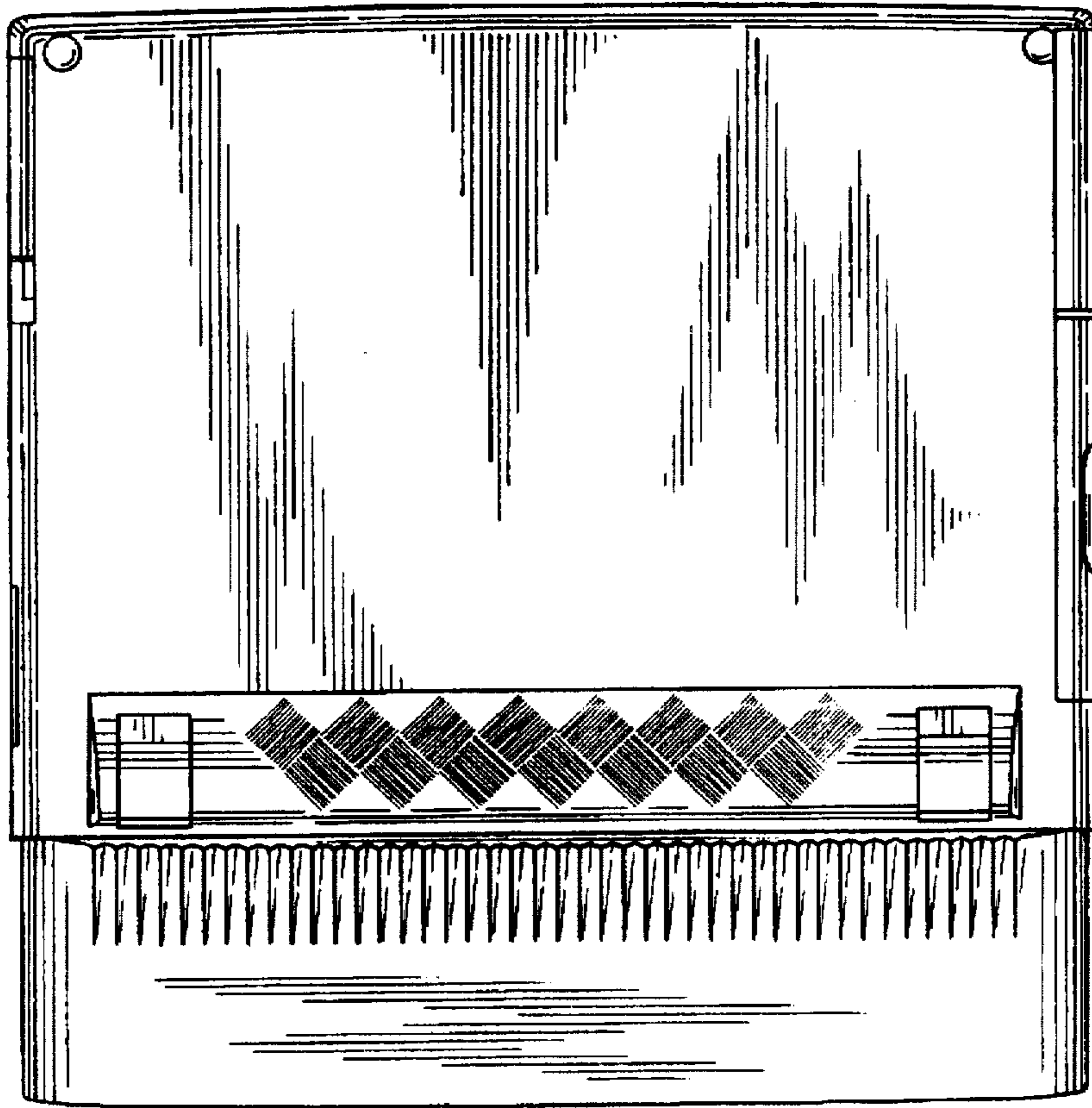


FIG. 8

