



US00D385531S

# United States Patent [19]

[11] Patent Number: **Des. 385,531**

Hermes et al.

[45] Date of Patent: **\*\*Oct. 28, 1997**

[54] **TOGGLE SWITCH EXTENSION**

[76] Inventors: **Glenn Hermes**, 9 Moss Rock; **Danny Rust**, 1990 Watson La. West, both of New Braunfels, Tex. 78130

[\*\*] Term: **14 Years**

[21] Appl. No.: **52,251**

[22] Filed: **Mar. 26, 1996**

[51] LOC (6) Cl. .... **13-03**

[52] U.S. Cl. .... **D13/173**

[58] Field of Search ..... D13/173; 200/329, 200/330, 331, 332; 16/115; 74/544

[56] **References Cited**

**U.S. PATENT DOCUMENTS**

3,077,789	2/1963	Lashmutt	.....	200/331	X
4,705,924	11/1987	Hevoyan	.....	200/331	
5,451,734	9/1995	Price	.....	200/331	
5,498,845	3/1996	Browning	.....	200/331	

*Primary Examiner*—Joel Sincavage  
*Assistant Examiner*—Lavone D. Tabor  
*Attorney, Agent, or Firm*—Gunn, Lee & Miller, P.C.

[57] **CLAIM**

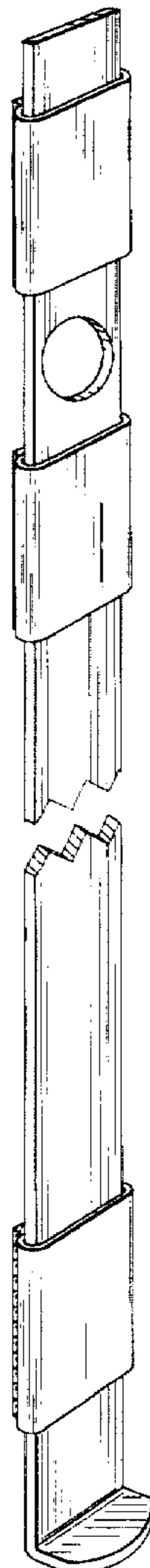
The ornamental design for a toggle switch extension, as shown and described.

**DESCRIPTION**

FIG. 1 is shown on an enlarged scale; FIG. 2 is a top plan view thereof; FIG. 3 is a front elevational view thereof; FIG. 4 is a left side elevational view thereof; FIG. 5 is a rear elevational view thereof; FIG. 6 is a right side elevational view thereof; and, FIG. 7 is a bottom plan view thereof.

The toggle switch extension is shown broken away to indicate indeterminate length. The broken lines that are shown in FIGS. 2-4, are for illustrative purposes only and form no part of the claimed design.

**1 Claim, 3 Drawing Sheets**



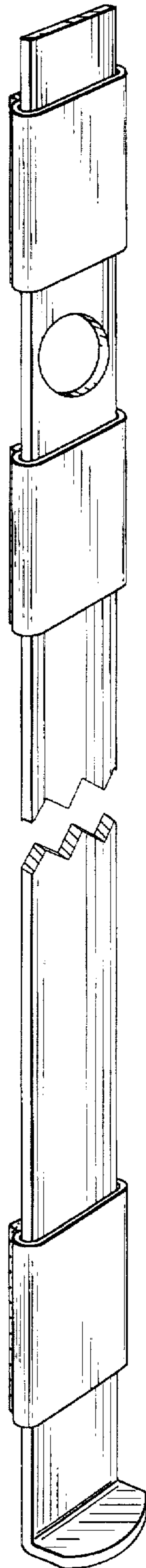


Fig. 1

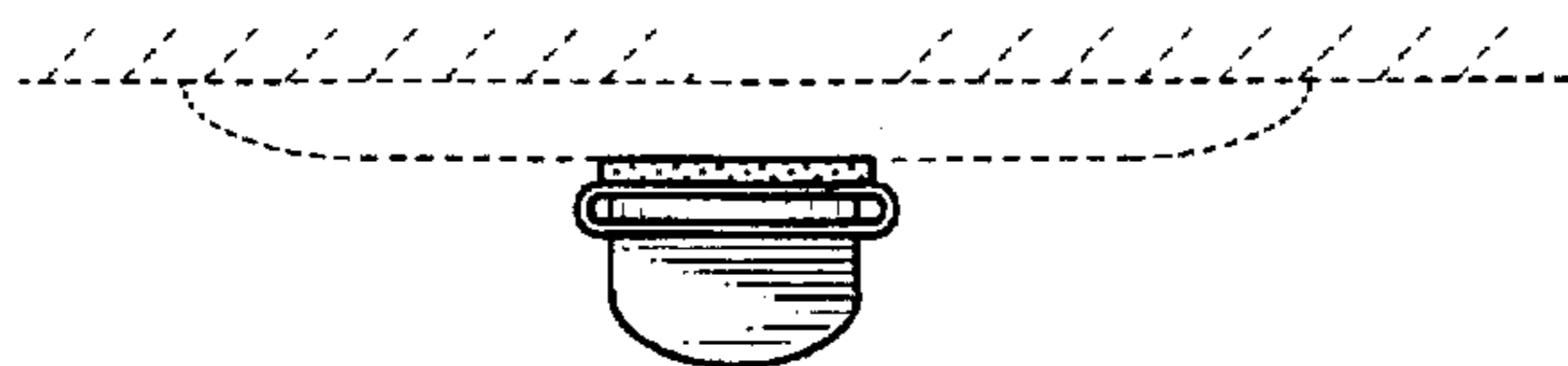


Fig. 2

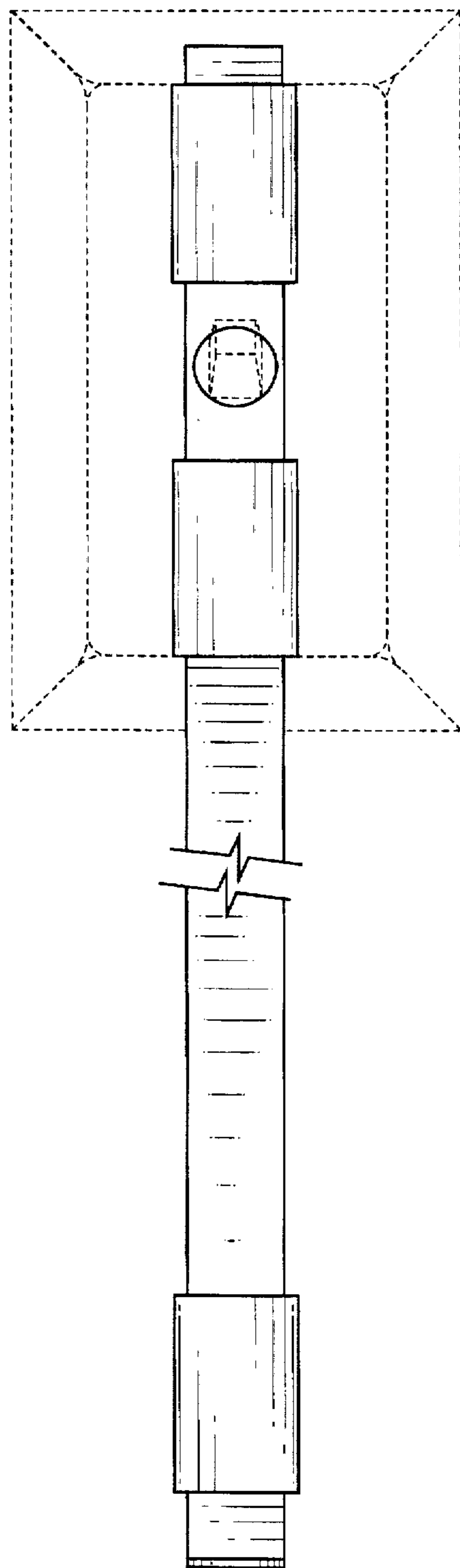


Fig. 3

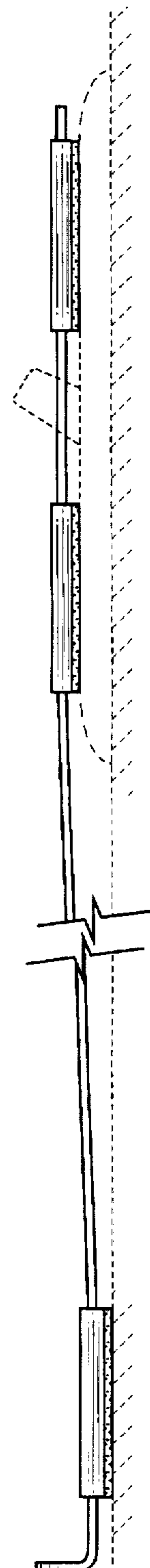


Fig. 4

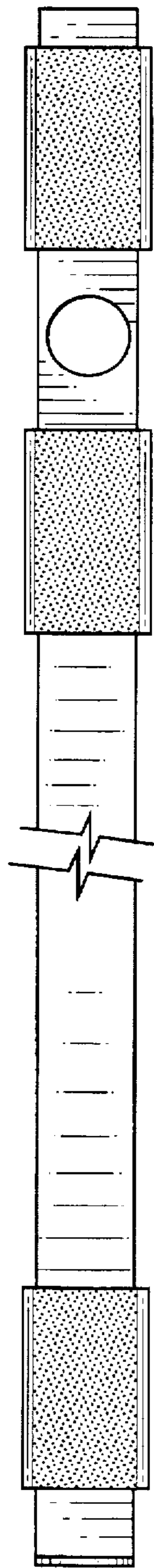


Fig. 5

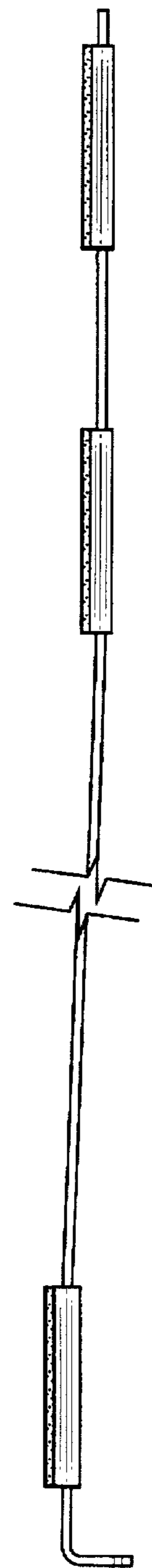


Fig. 6



Fig. 7