

US00D385530S

# United States Patent [19]

Hames et al.

[11] Patent Number: **Des. 385,530**

[45] Date of Patent: **\*\*Oct. 28, 1997**

- [54] **BATTERY CHARGING DEVICE**
- [75] Inventors: **Edward W. Hames; William C. Bohne**, both of Lawrenceville, Ga.
- [73] Assignee: **Motorola, Inc.**, Schaumburg, Ill.
- [\*\*] Term: **14 Years**
- [21] Appl. No.: **47,256**
- [22] Filed: **Nov. 30, 1995**
- [51] LOC (6) Cl. .... **13-02**
- [52] U.S. Cl. .... **D13/107**
- [58] Field of Search ..... **D13/107, 108; 320/2, 3, 4, 15**

- D. 349,485 8/1994 Richards et al. .... D13/107
- D. 350,329 9/1994 Lindeman et al. .... D13/107
- D. 350,330 9/1994 Peterson ..... D13/107
- D. 350,540 9/1994 Hyvonen ..... D14/149
- D. 351,133 10/1994 Jungels-Butler et al. .... D13/108
- D. 359,474 6/1995 Palatov ..... D13/107

*Primary Examiner*—Joel Sincavage  
*Attorney, Agent, or Firm*—Kenneth M. Massaroni

### [57] CLAIM

The ornamental design for a battery charging device, as shown and described.

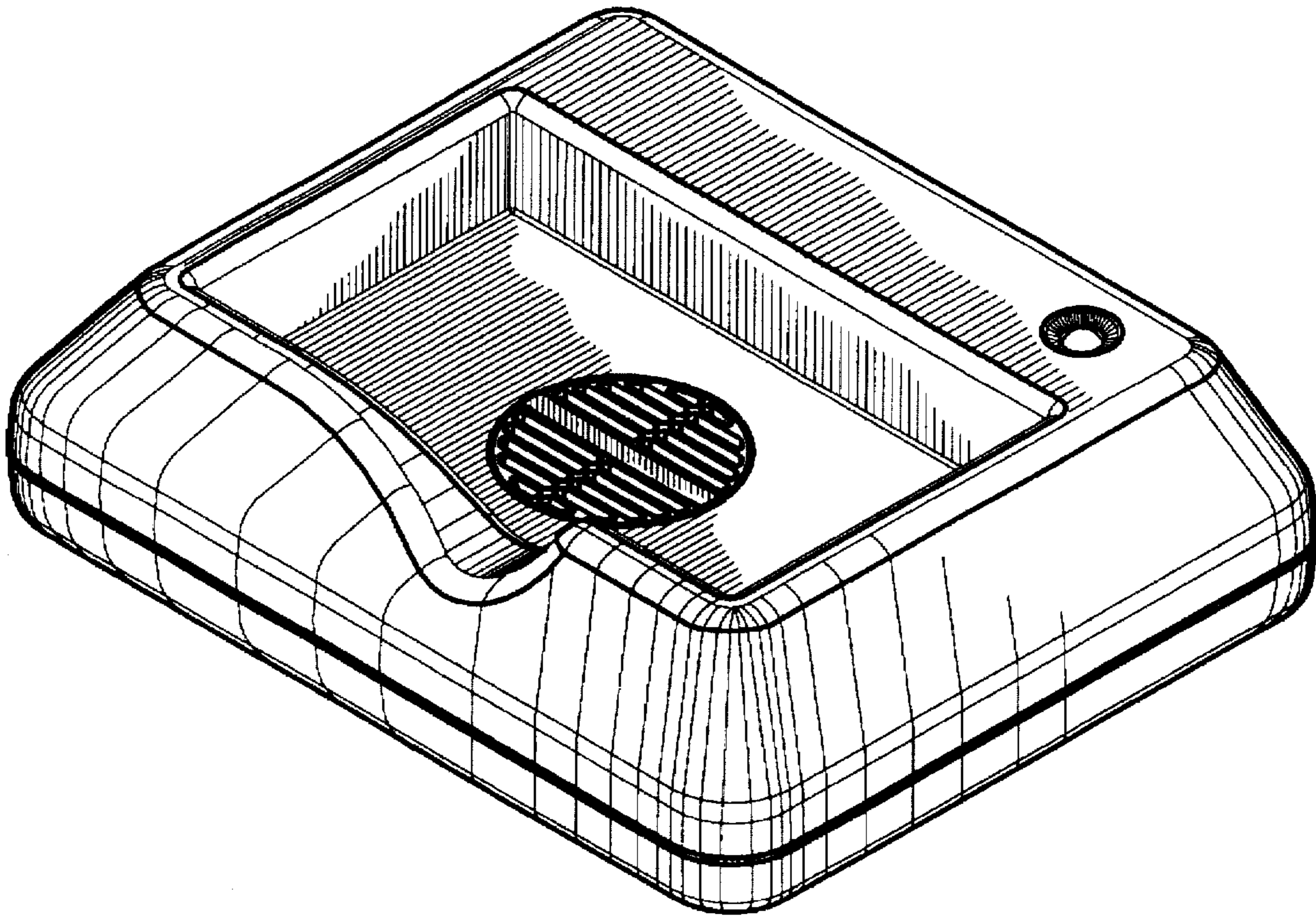
### DESCRIPTION

FIG. 1 is a top plan view of the battery charging device in accordance with our invention;  
 FIG. 2 is a bottom plan view thereof; and,  
 FIG. 3 is a rear elevational view thereof;  
 FIG. 4 is a front elevational view thereof;  
 FIG. 5 is a right side elevational view thereof;  
 FIG. 6 is a left side elevational view thereof; and,  
 FIG. 7 is a top left front isometric view thereof.

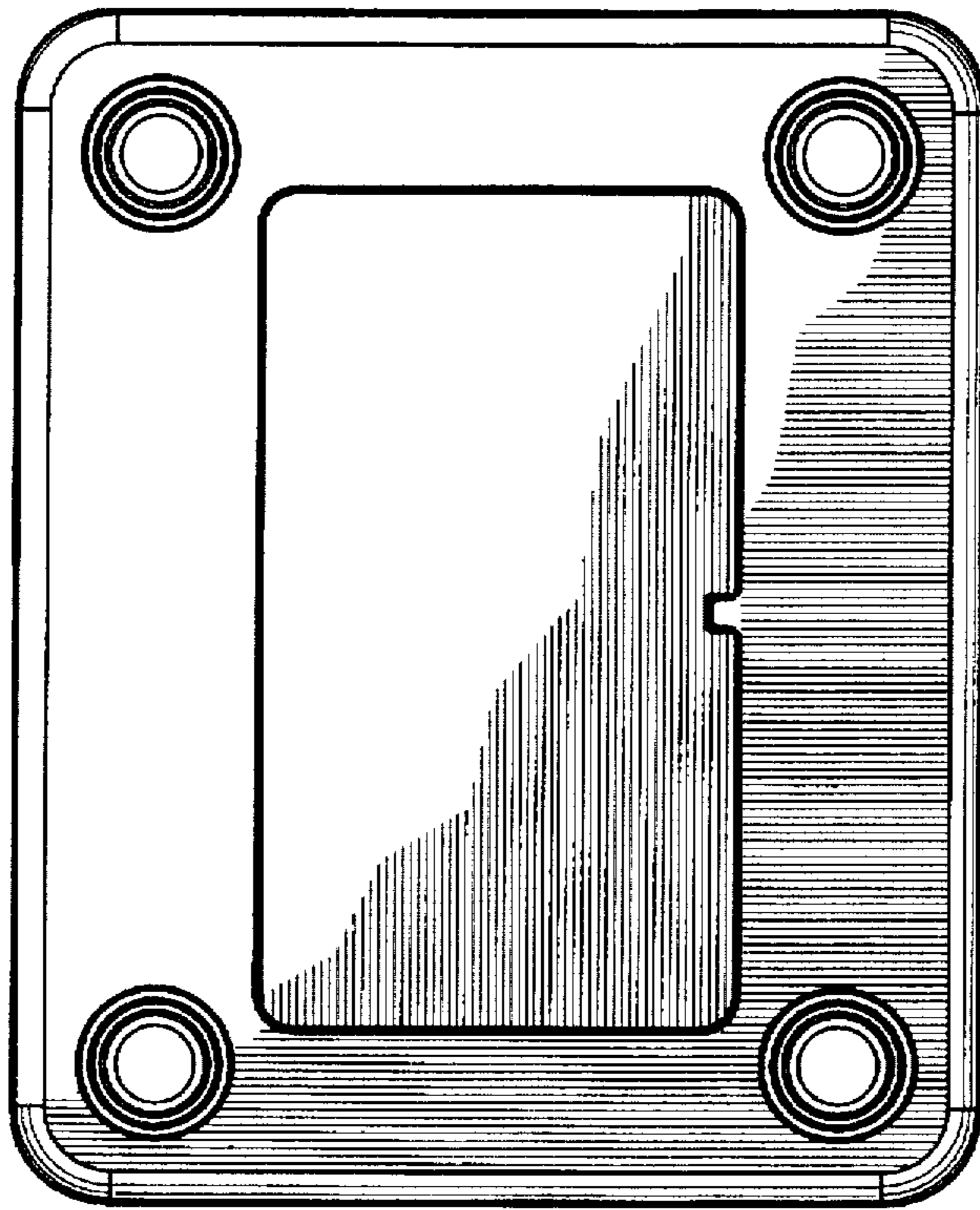
**1 Claim, 4 Drawing Sheets**

[56] **References Cited**  
**U.S. PATENT DOCUMENTS**

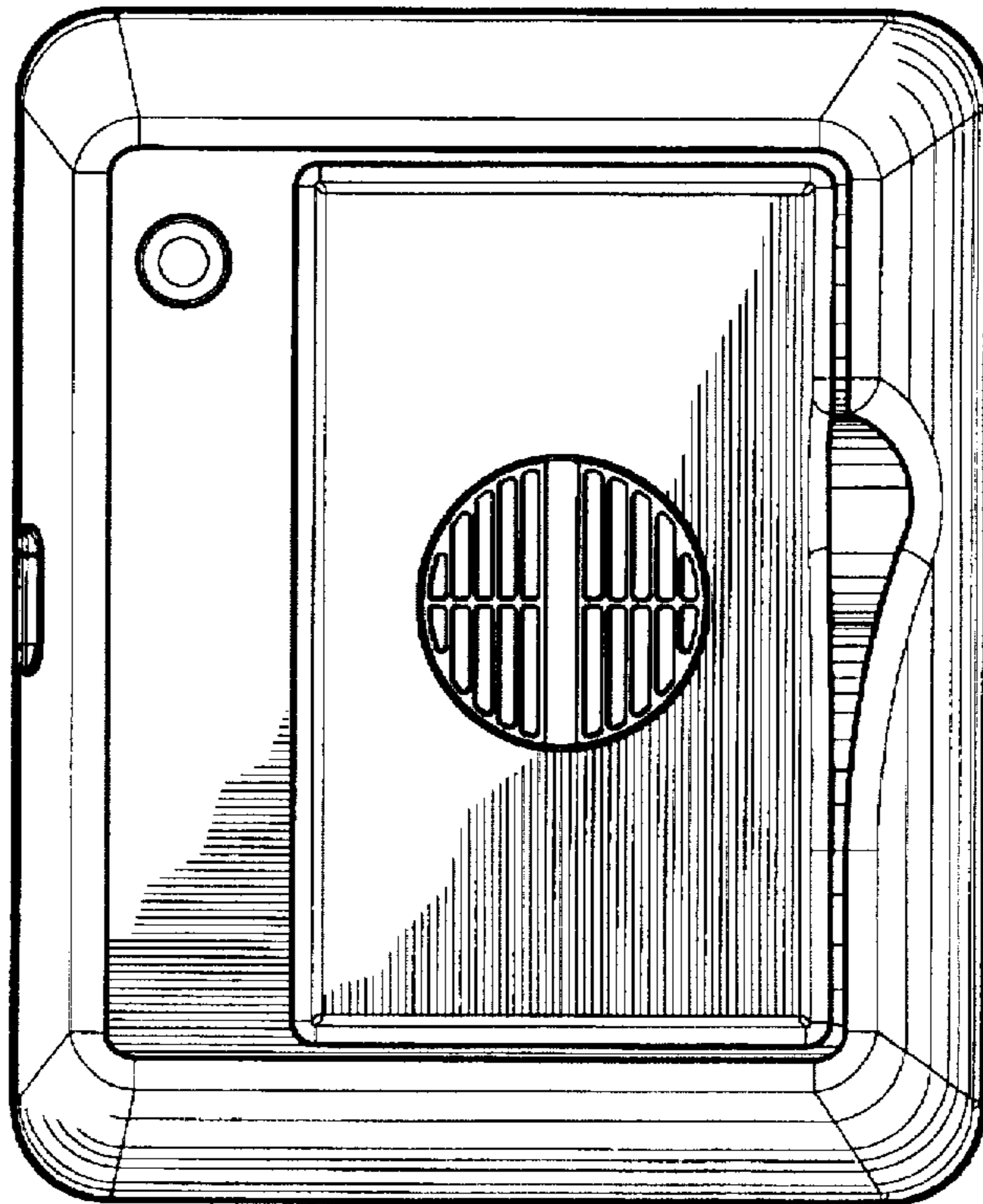
- D. 274,903 7/1984 Eckmann et al. .... D13/107
- D. 321,855 11/1991 Ross, Jr. .... D13/107
- D. 344,708 3/1994 Ho et al. .... D13/108
- D. 345,728 4/1994 Tyneski et al. .... D13/108
- D. 348,649 7/1994 Richards et al. .... D13/118
- D. 349,097 7/1994 Watanabe ..... D13/108



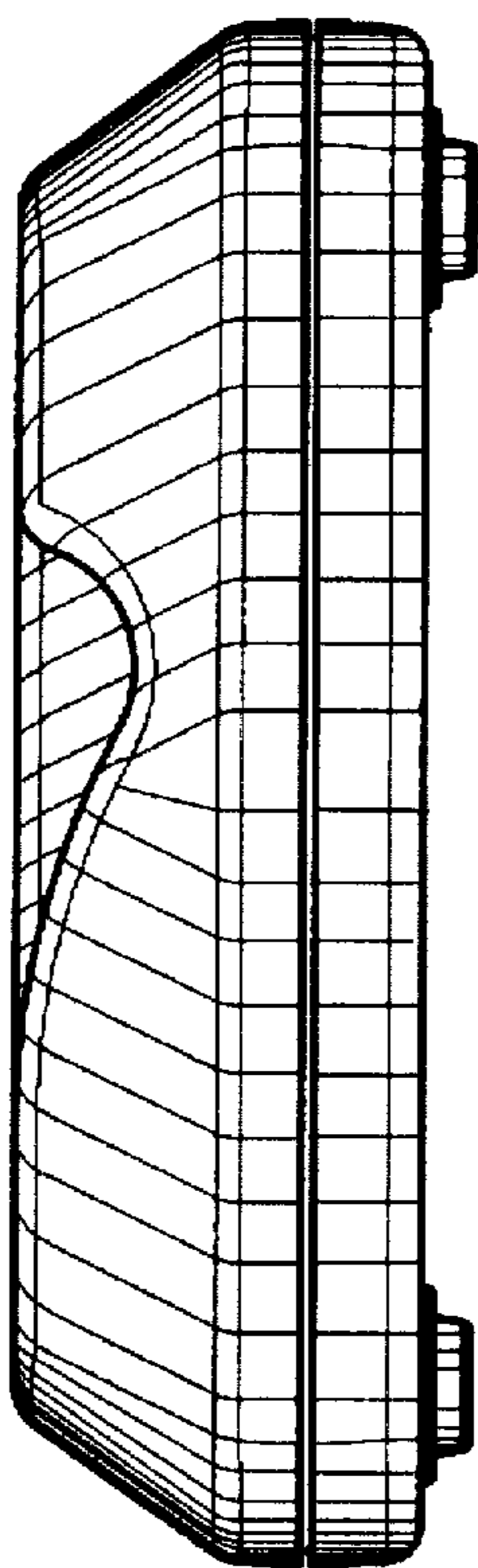
*FIG. 2*



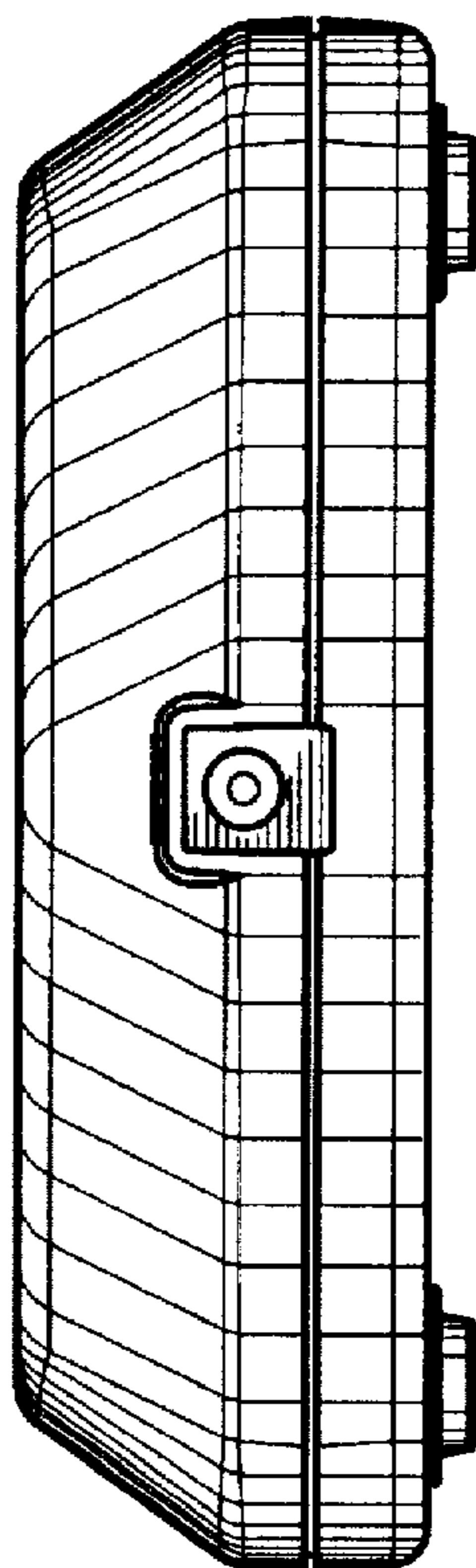
*FIG. 1*



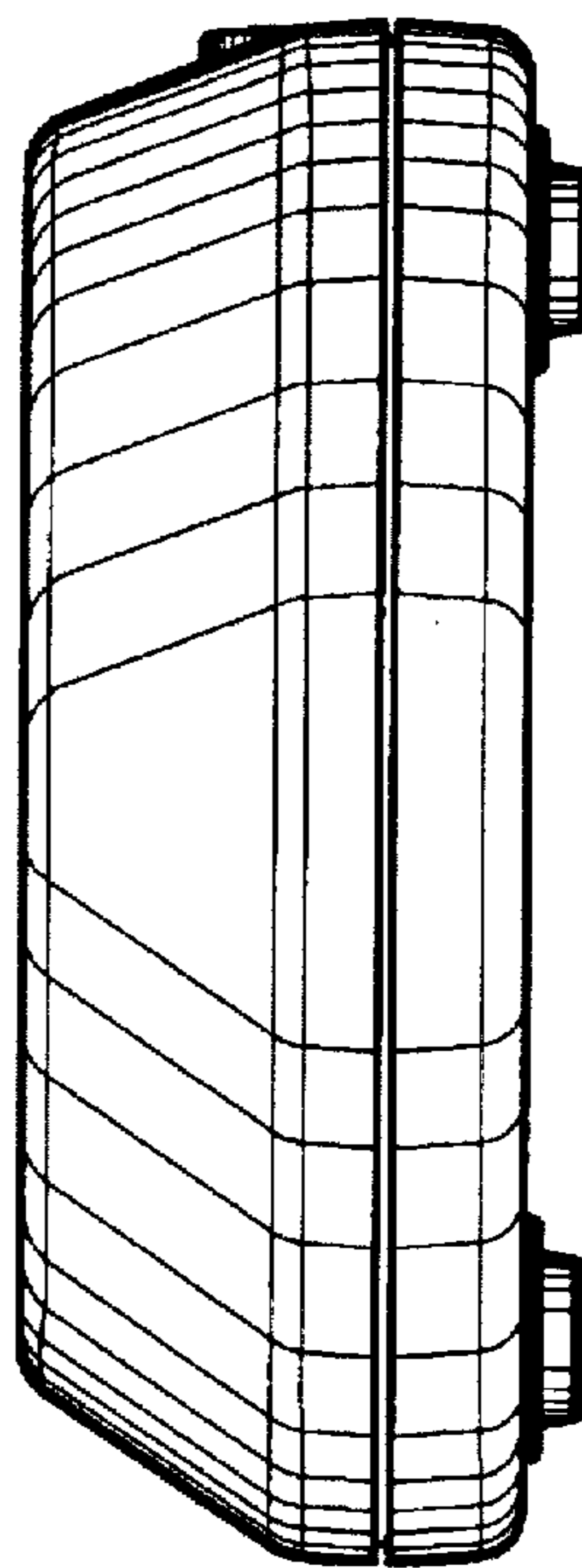
*FIG. 4*



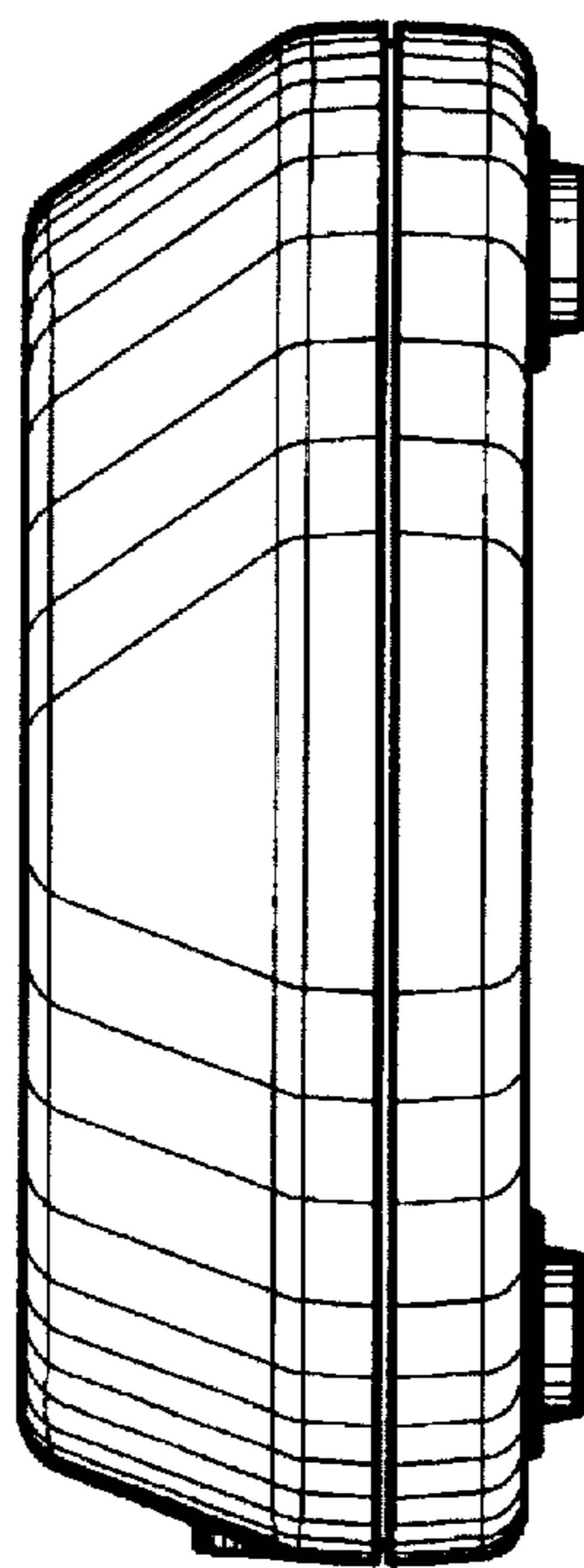
*FIG. 3*



*FIG. 6*



*FIG. 5*





*FIG. 7*

