

US00D385514S

United States Patent [19]

[11] Patent Number: **Des. 385,514**

Eyman et al.

[45] Date of Patent: ****Oct. 28, 1997**

[54] **FOLDING STROLLER WITH SWIVELING FRONT WHEEL**

[75] Inventors: **David N. Eyman; Thomas J. Schmidlin**, both of Cincinnati, Ohio

[73] Assignee: **TRI Industries, Inc.**, Bloomington, Minn.

[**] Term: **14 Years**

3,909,043	9/1975	Black .
4,029,329	6/1977	Chambers .
4,064,957	12/1977	Parham .
4,072,318	2/1978	Laune .
4,166,630	9/1979	Sullivan et al. .
4,181,317	1/1980	Toda .
4,325,449	4/1982	D'Addio et al. .
4,335,900	6/1982	Fleischer .
4,346,912	8/1982	Habib .
4,353,567	10/1982	Weldy .

(List continued on next page.)

[21] Appl. No.: **56,326**

[22] Filed: **Jun. 26, 1996**

[51] **LOC (6) Cl.** **12-12**

[52] **U.S. Cl.** **D12/129**

[58] **Field of Search** **D12/128, 129, D12/133; 280/650, 648, 647, 643, 642, 644, 30**

FOREIGN PATENT DOCUMENTS

2579544	10/1986	France .
213538	9/1909	Germany .
2348716	7/1974	Germany .
2741543	6/1978	Germany .
3435575	4/1986	Germany .
851163	10/1960	United Kingdom .
2099765	12/1982	United Kingdom .
2204282	11/1988	United Kingdom .

[56] References Cited

U.S. PATENT DOCUMENTS

D. 204,254	4/1966	Cerf .
D. 206,116	11/1966	Hughes .
D. 274,714	7/1984	Cone .
D. 290,825	7/1987	Mathies et al. .
D. 297,525	9/1988	Baechler .
D. 301,850	6/1989	Clement et al. .
D. 315,885	4/1991	Jacobs .
699,186	5/1902	Katzke .
716,972	12/1902	Whitmore et al. .
2,425,688	8/1947	Schulte .
2,455,119	11/1948	Hall .
2,781,225	2/1957	Heideman .
3,052,480	9/1962	Sanstrom .
3,110,504	11/1963	Myers .
3,305,244	2/1967	Flagg .
3,403,744	10/1968	Dinkel .
3,575,461	4/1971	Goldman et al. .
3,605,929	9/1971	Rolland .
3,656,777	4/1972	Keiser, Jr. .
3,698,502	10/1972	Patin .
3,712,636	1/1973	Gesslein .
3,781,031	12/1973	Patin .
3,848,890	11/1974	MacAlpine .
3,873,116	3/1975	Perego .
3,877,723	4/1975	Fabey et al. .

OTHER PUBLICATIONS

Cannondale Bicycle Trailer Seat 280/284 Oct. 10, 1990.

Primary Examiner—Kay H. Chin

Attorney, Agent, or Firm—Palmatier, Sjoquist, Helget & Voigt, P.A.

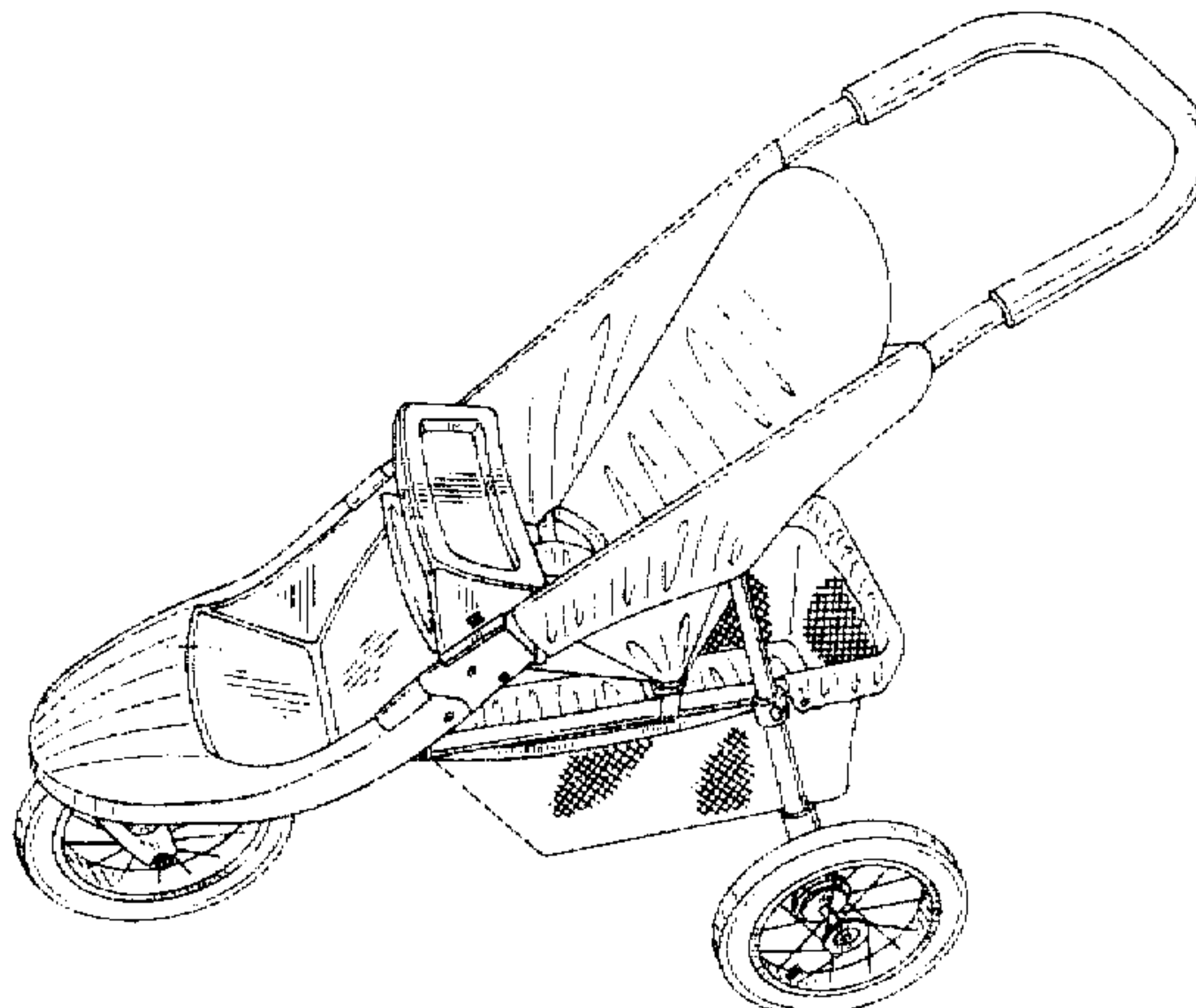
[57] CLAIM

The ornamental design for a folding stroller with swiveling front wheel, as shown and described.

DESCRIPTION

FIG. 1 is a perspective view of a folding stroller with swiveling front wheel showing our new design;
 FIG. 2 is a right side elevational view;
 FIG. 3 is a left side elevational view;
 FIG. 4 is a front elevational view;
 FIG. 5 is a rear elevational view;
 FIG. 6 is a top plan view; and,
 FIG. 7 is a bottom plan view.
 The broken lines shown in FIGS. 2 and 3 are for illustrative purposes only and form no part of the claimed design.

1 Claim, 7 Drawing Sheets



U.S. PATENT DOCUMENTS					
			4,993,743	2/1991	Takahashi et al. .
4,361,338	11/1982	Kuchenbecker et al. .	5,029,891	7/1991	Jacobs .
4,369,987	1/1983	Witherell .	5,039,120	8/1991	Stowe .
4,373,740	2/1983	Hendrix .	5,076,599	12/1991	Lockett et al. .
4,403,673	9/1983	Ball .	5,087,066	2/1992	Chai Mong-Hsing .
4,408,776	10/1983	Randolph et al. .	5,123,670	6/1992	Chen .
4,422,663	12/1983	Hon .	5,176,395	1/1993	Garforth-Bles .
4,526,390	7/1985	Skolnik .	5,205,577	4/1993	Liu .
4,542,915	9/1985	Wheeler, III et al. .	5,207,439	5/1993	Mortenson .
4,586,721	5/1986	Harada et al. .	5,257,799	11/1993	Cone et al. .
4,606,550	8/1986	Cone .	5,259,634	11/1993	Berner et al. .
4,618,184	10/1986	Harvey .	5,265,891	11/1993	Diehl .
4,632,420	12/1986	Miyagi .	5,301,963	4/1994	Chen .
4,741,551	5/1988	Perego .	5,308,096	5/1994	Smith .
4,756,541	7/1988	Albitre .	5,356,171	10/1994	Schmidlin et al. .
4,828,278	5/1989	Nakao et al. .	5,364,119	11/1994	Leu 280/650
4,831,689	5/1989	Lo .	5,460,395	10/1995	Chen .
4,902,027	2/1990	Skelly .	5,522,614	6/1996	Eyman et al. .
4,934,728	6/1990	Chen .	5,590,896	1/1997	Eichhorn 280/642
4,953,880	9/1990	Sudakoff et al. .			

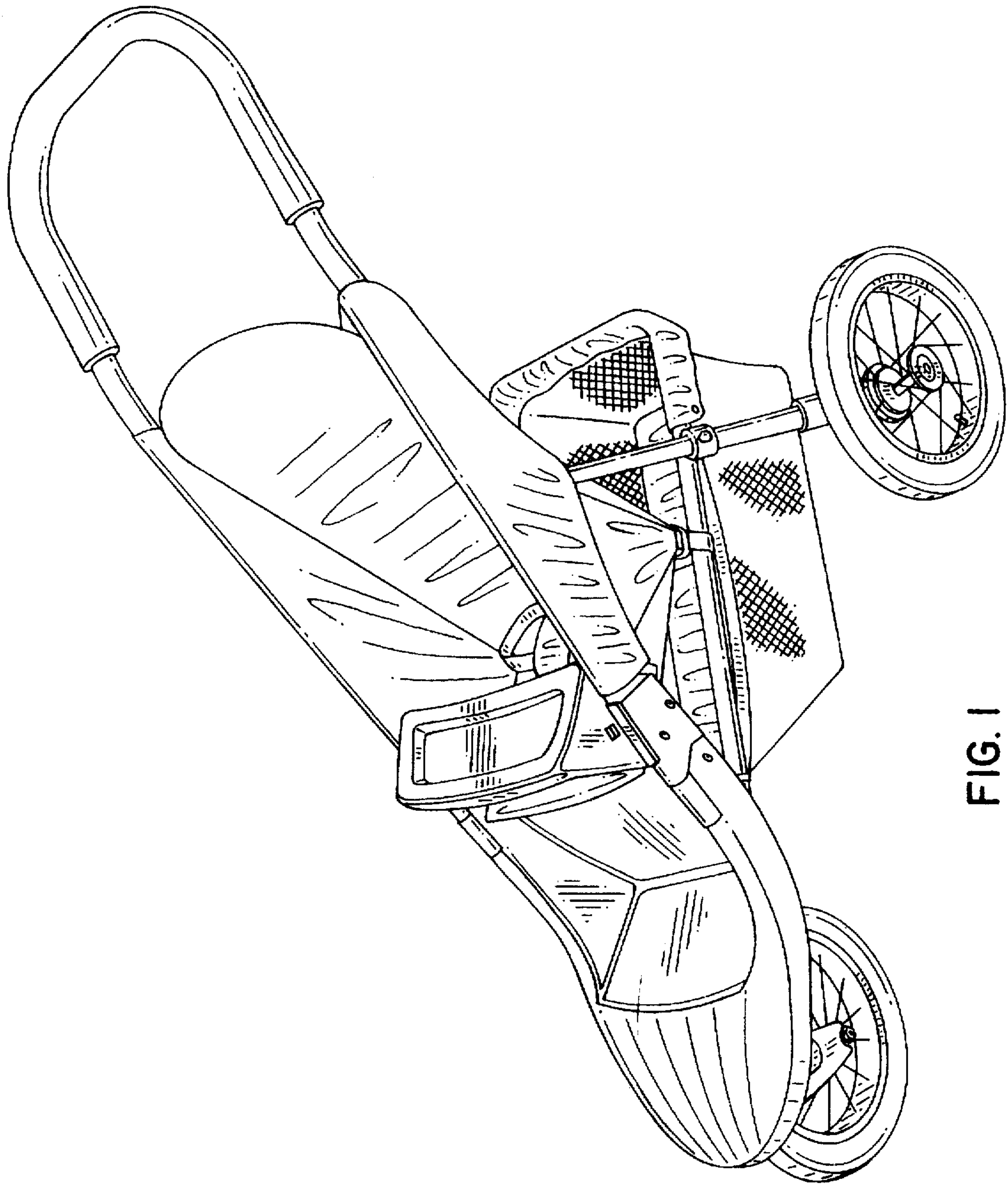


FIG. 1

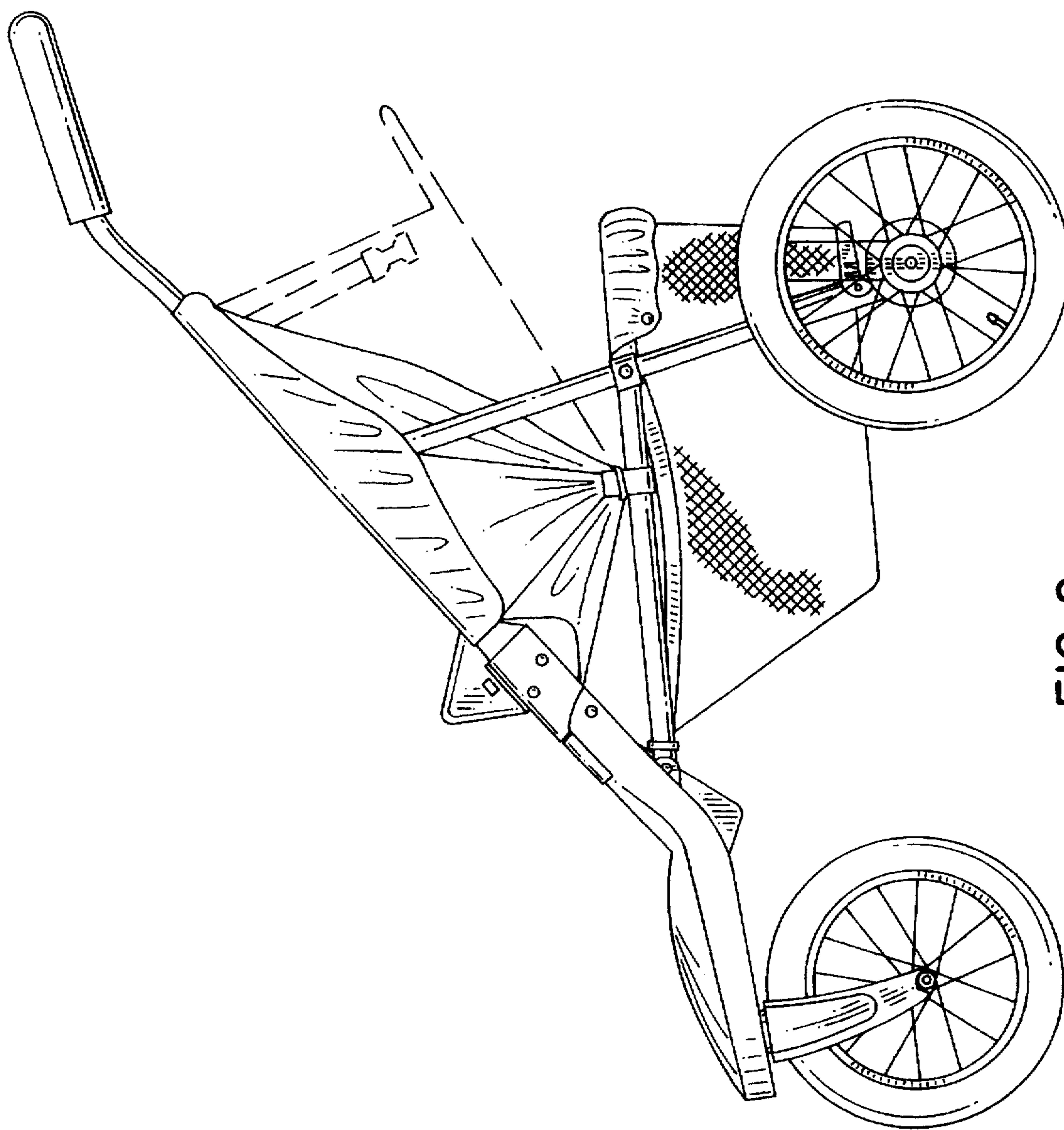


FIG. 2

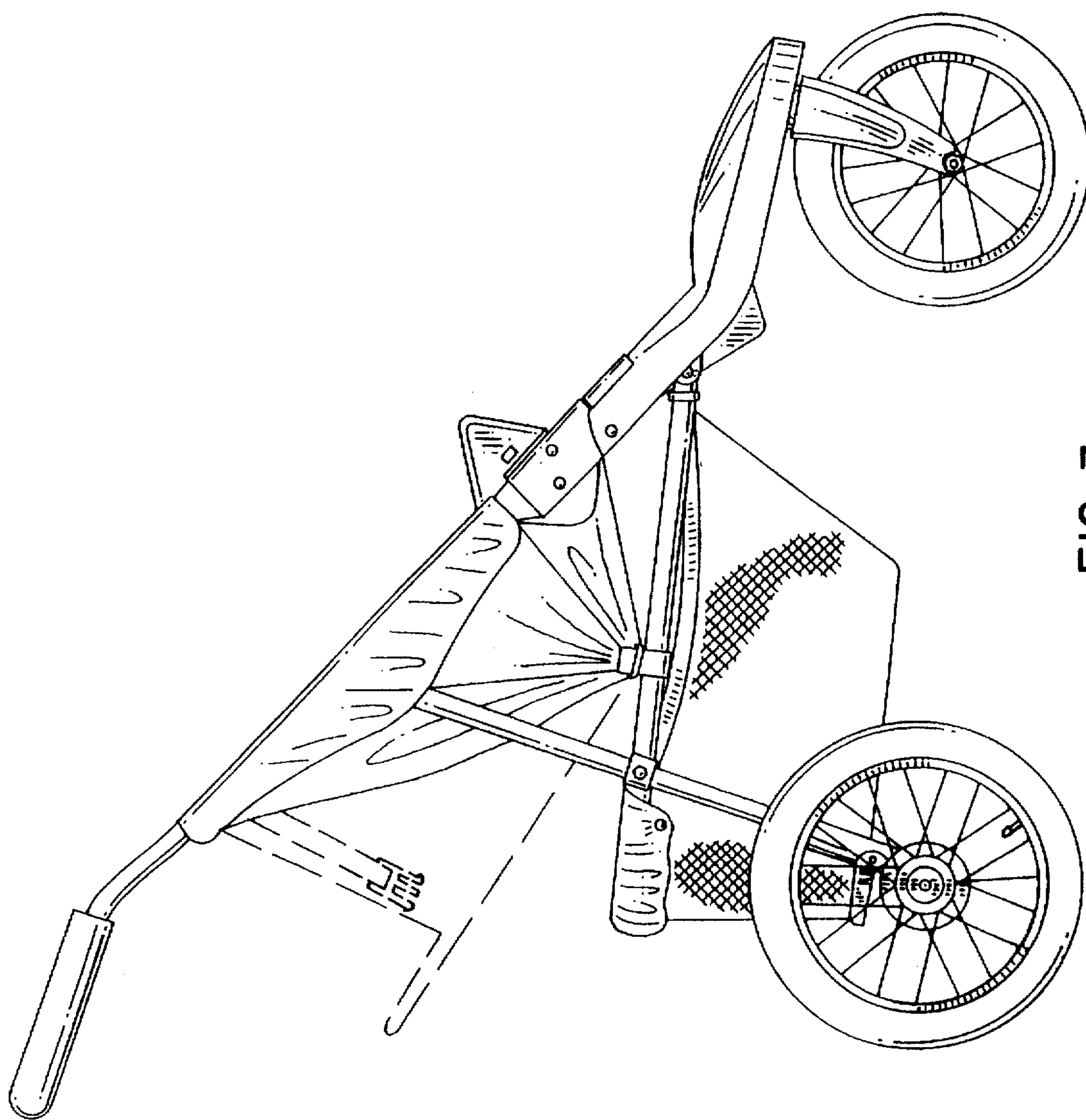


FIG. 3

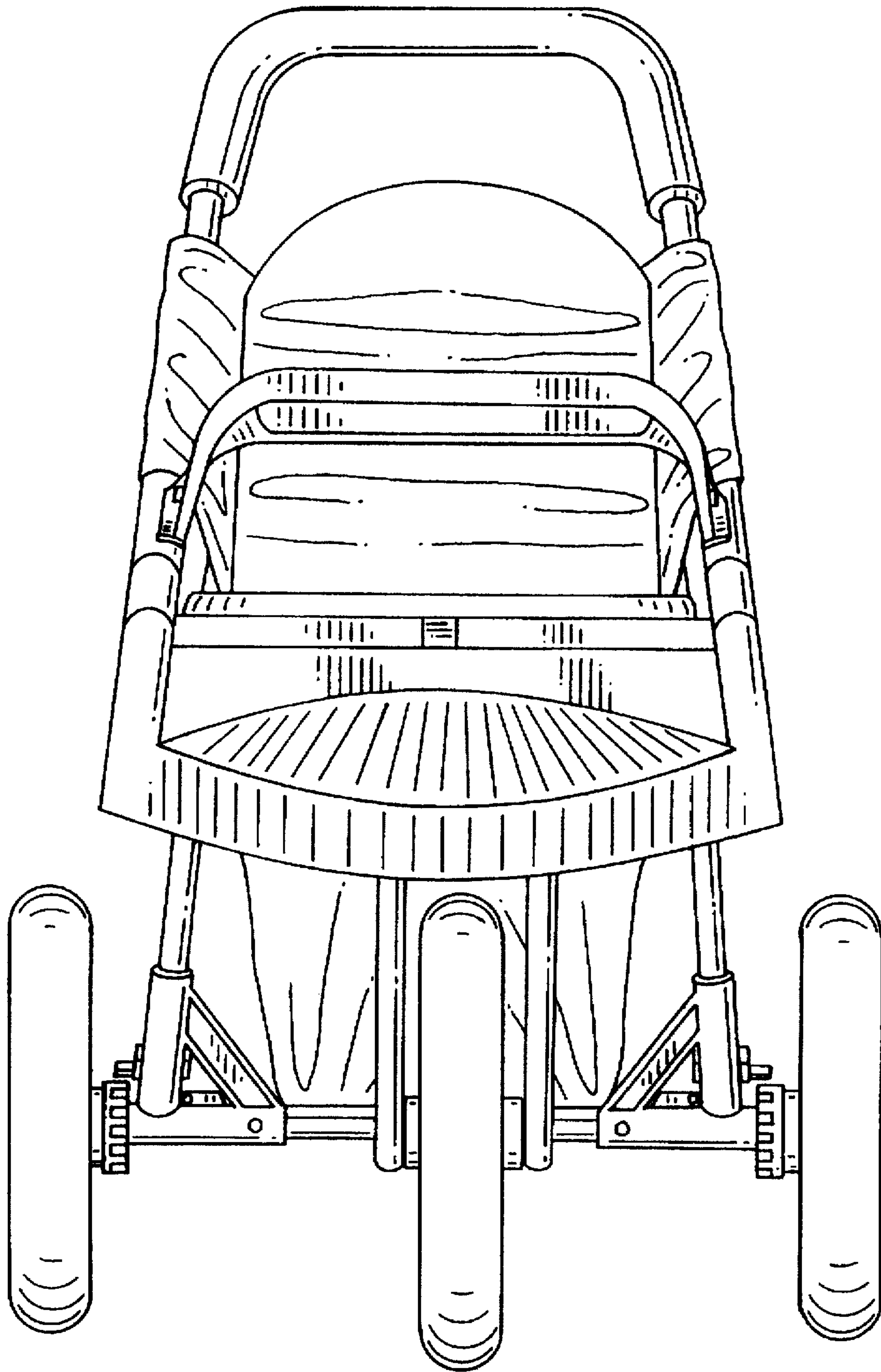


FIG. 4

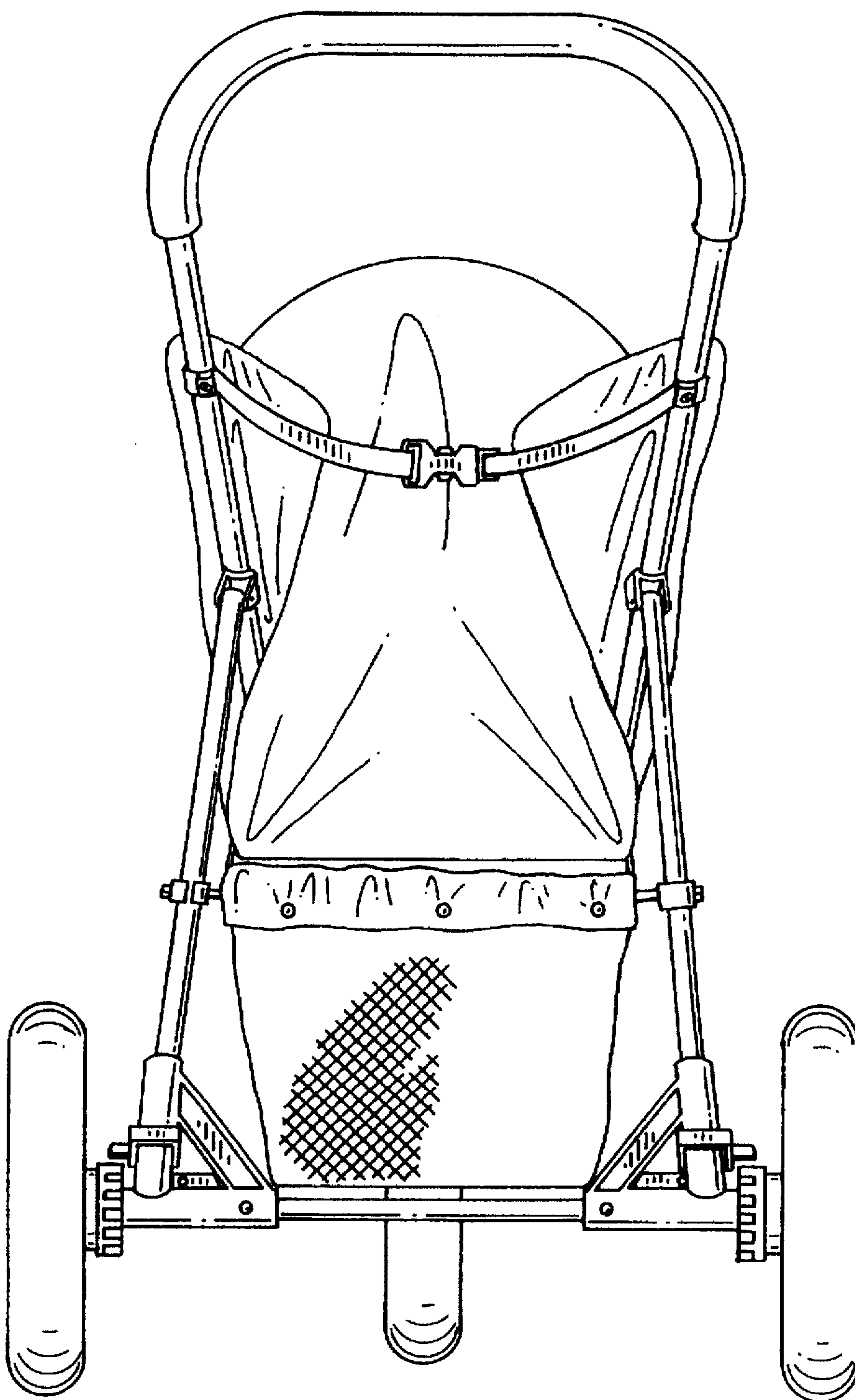


FIG. 5

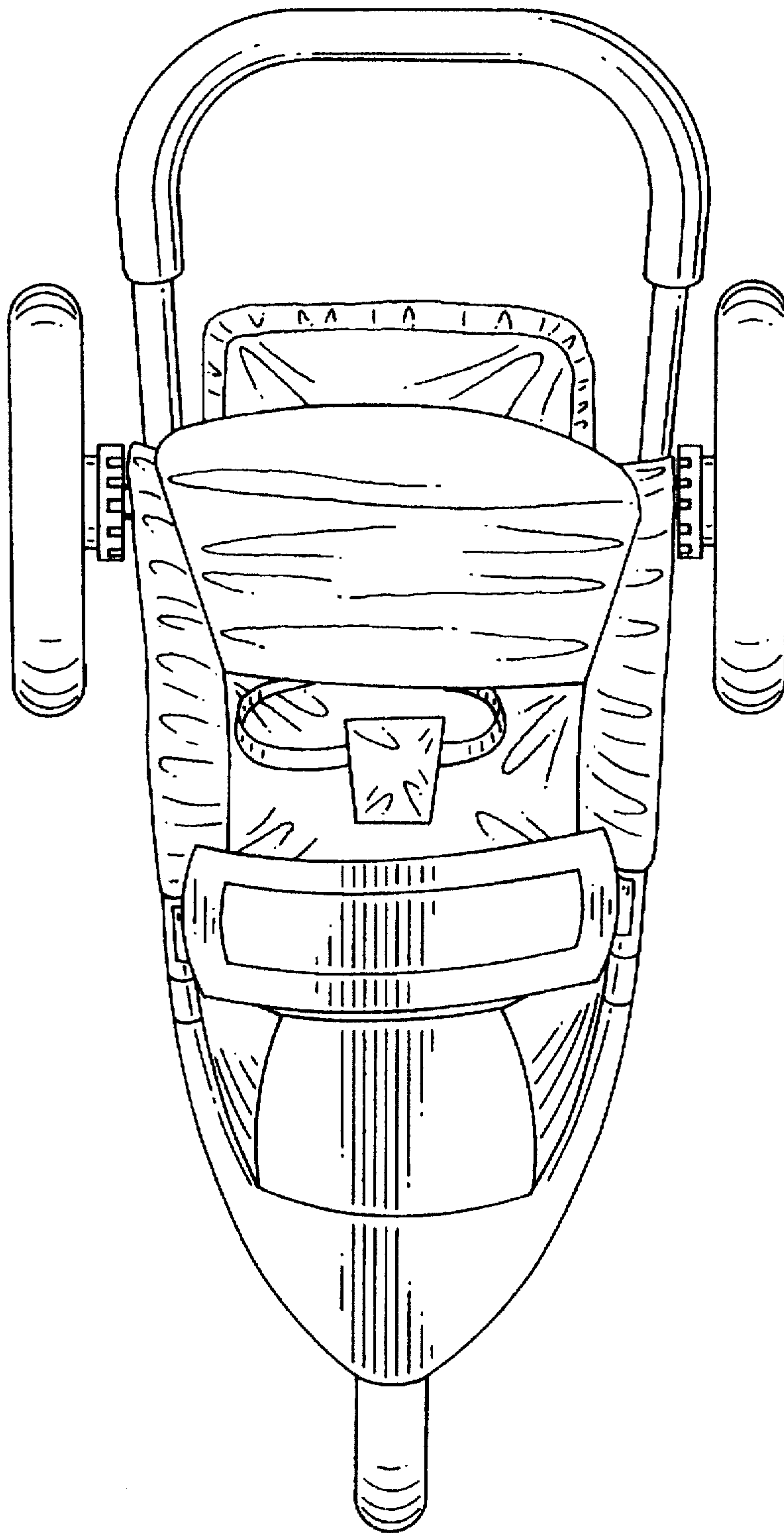


FIG. 6

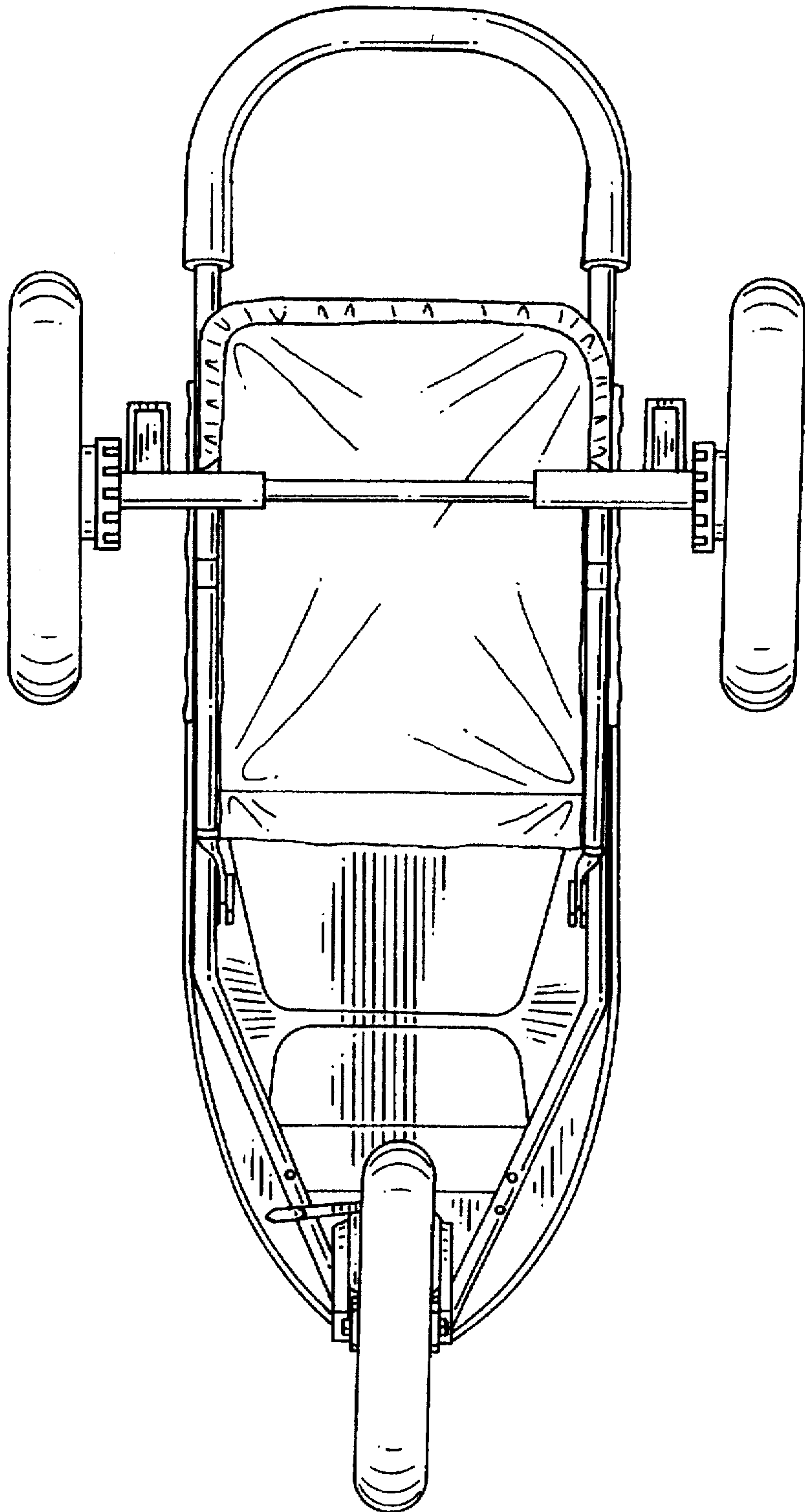


FIG. 7