



US00D385511S

# United States Patent [19]

Grimes

[11] Patent Number: Des. 385,511

[45] Date of Patent: \*\*Oct. 28, 1997

[54] JEWELRY PIN

4,497,186 2/1985 Mason ..... D11/45

[76] Inventor: Ray D. Grimes, 15011 SE. 179th St.,  
Apt. H, Renton, Wash. 98058

### FOREIGN PATENT DOCUMENTS

1021346 12/1952 France ..... 63/1.1  
1028307 5/1953 France ..... 63/20

[\*\*] Term: 14 Years

Primary Examiner—Cathy Anne MacCormac

[21] Appl. No.: 57,270

[57] CLAIM

[22] Filed: Jul. 22, 1996

The ornamental design for a jewelry pin, as shown and described.

[51] LOC (6) Cl. .... 11-01

[52] U.S. Cl. .... D11/222; D11/75; D11/41

[58] Field of Search ..... D11/222, 223,  
D11/40-44, 49, 81, 45, 47-48, 75, 79,  
85, 89, 91; 63/1.1, 2, 20

### DESCRIPTION

FIG. 1 is an exploded front elevational view of the jewelry pin showing my new design;  
FIG. 2 is an exploded rear elevational view thereof;  
FIG. 3 is an exploded right side view thereof;  
FIG. 4 is an exploded left side view thereof;  
FIG. 5 is a top plan view thereof;  
FIG. 6 is a bottom plan view thereof;  
FIG. 7 is an exploded perspective view thereof; and,  
FIG. 8 is another perspective view thereof.  
The broken lines in FIG. 8 are for purposes of illustration only and form no part of the claimed design.

### [56] References Cited

#### U.S. PATENT DOCUMENTS

D. 53,209	4/1919	Powell	.....	D11/75
D. 107,648	12/1937	Katz	.....	D11/49
D. 120,925	6/1940	Weeber	.....	D11/48
D. 128,933	8/1941	Chernow	.....	D11/75
D. 143,559	1/1946	Speck	.....	D11/75
D. 146,696	4/1947	Zimeh	.....	D11/75
355,196	12/1886	Morrell	.....	63/20

1 Claim, 4 Drawing Sheets

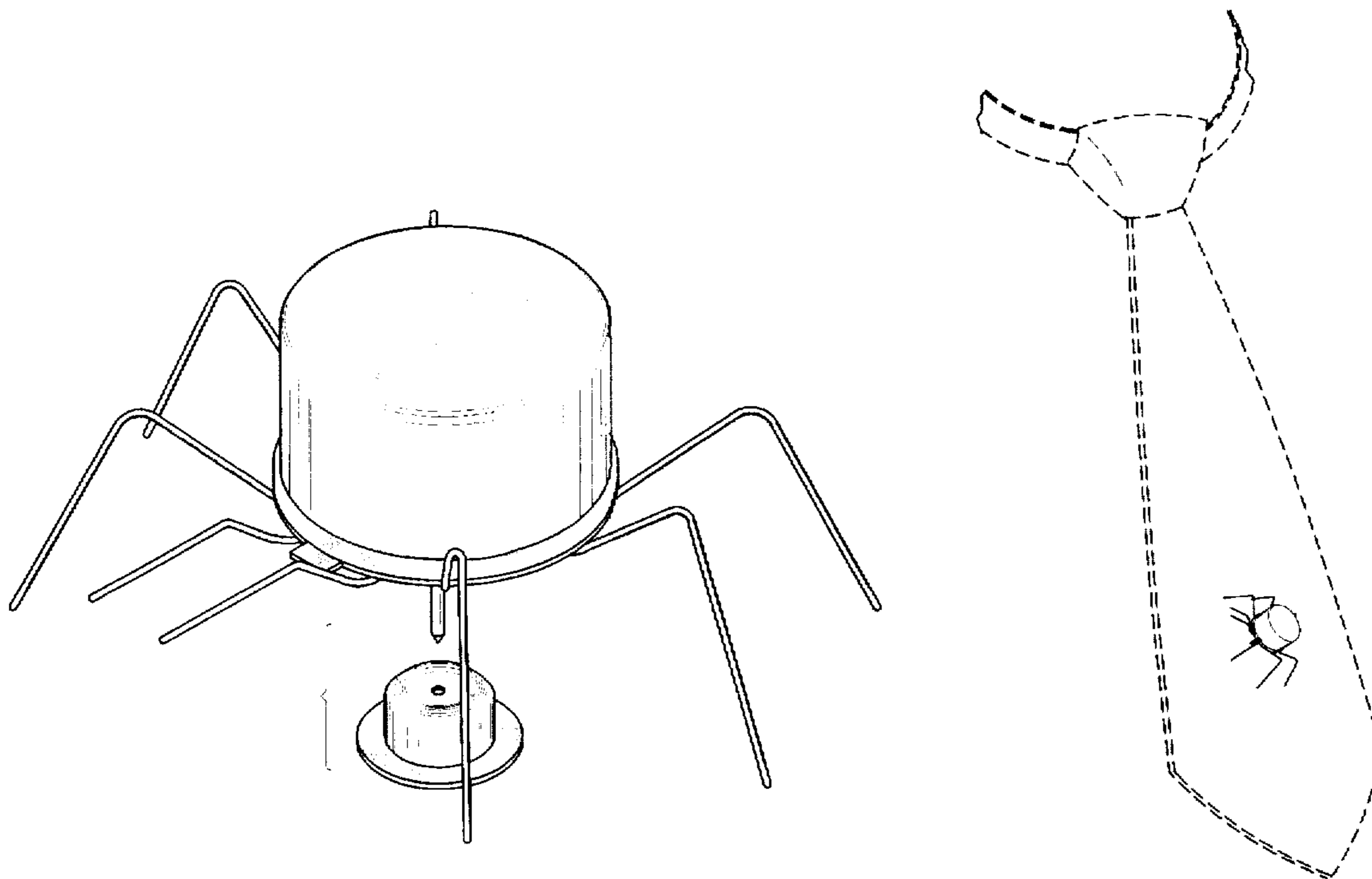


FIG. 1

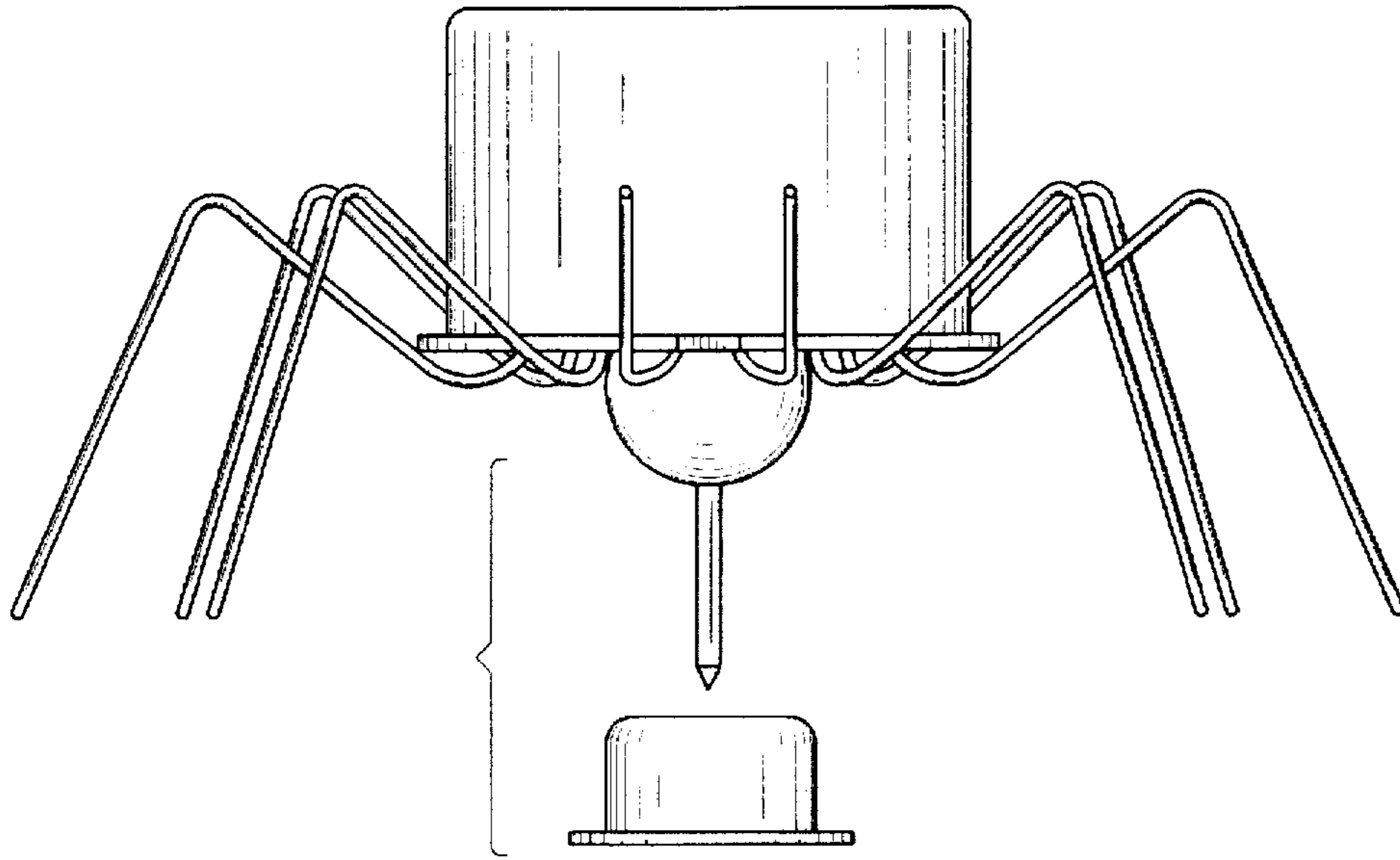


FIG. 2

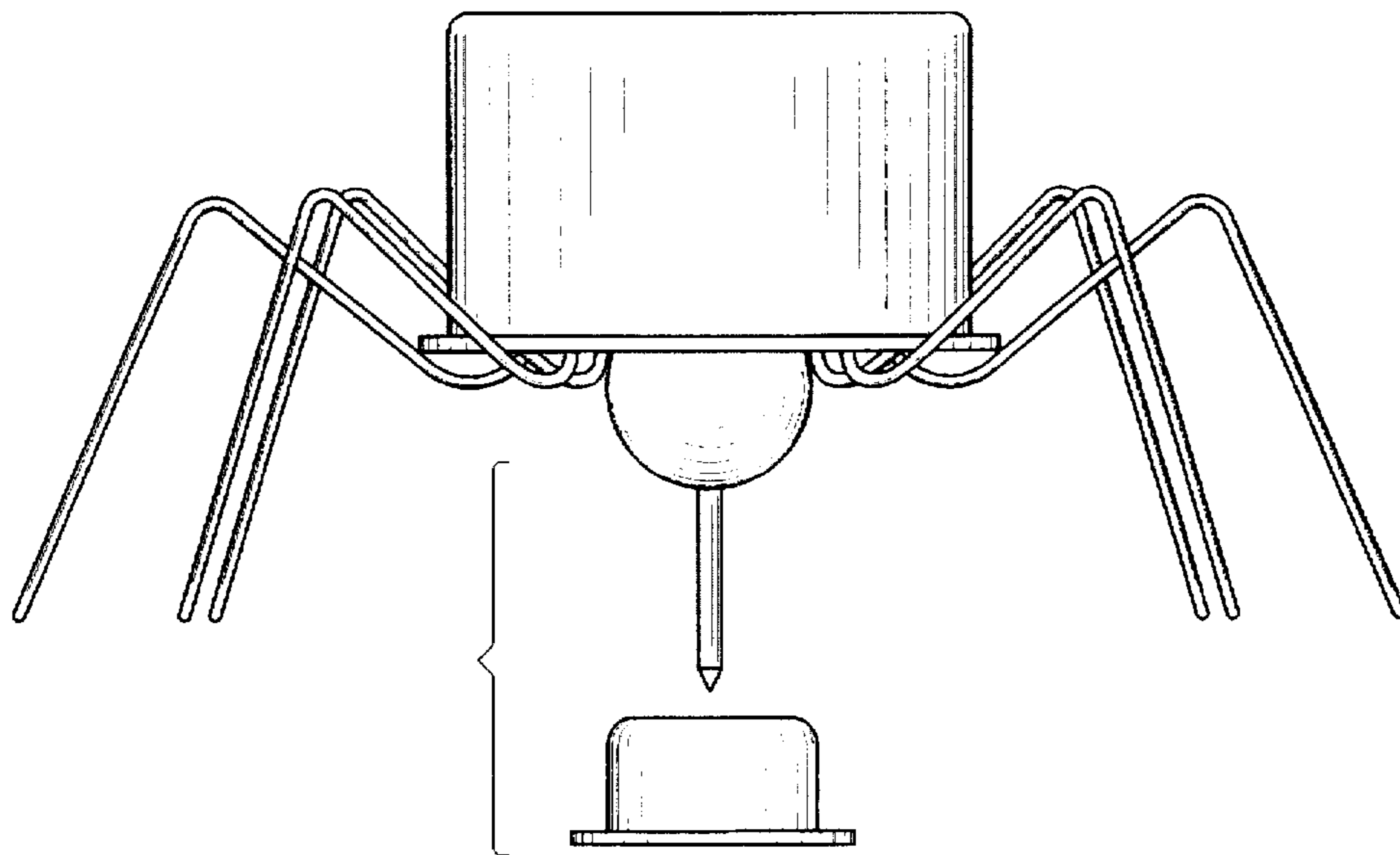


FIG. 3

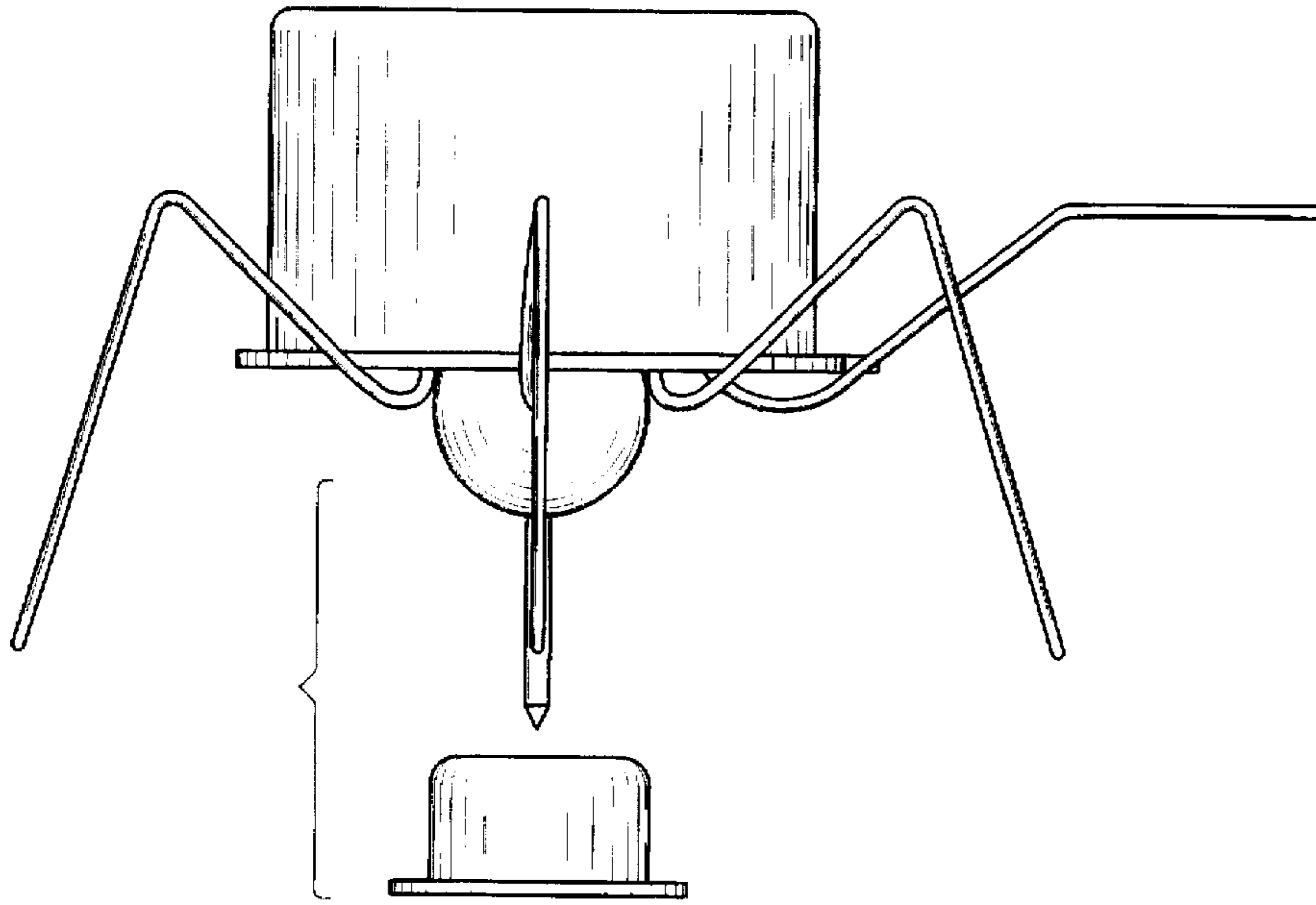


FIG. 4

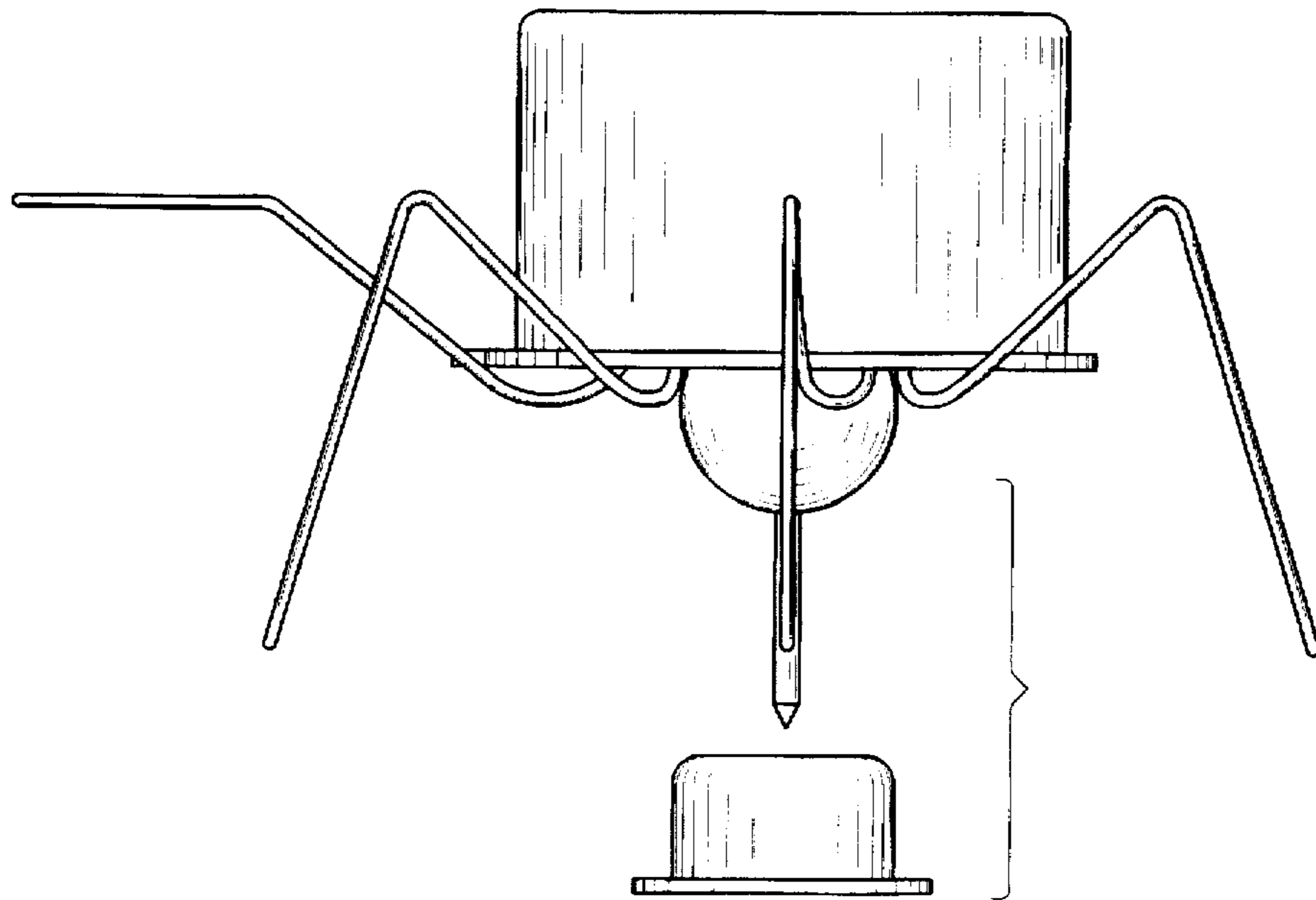


FIG. 5

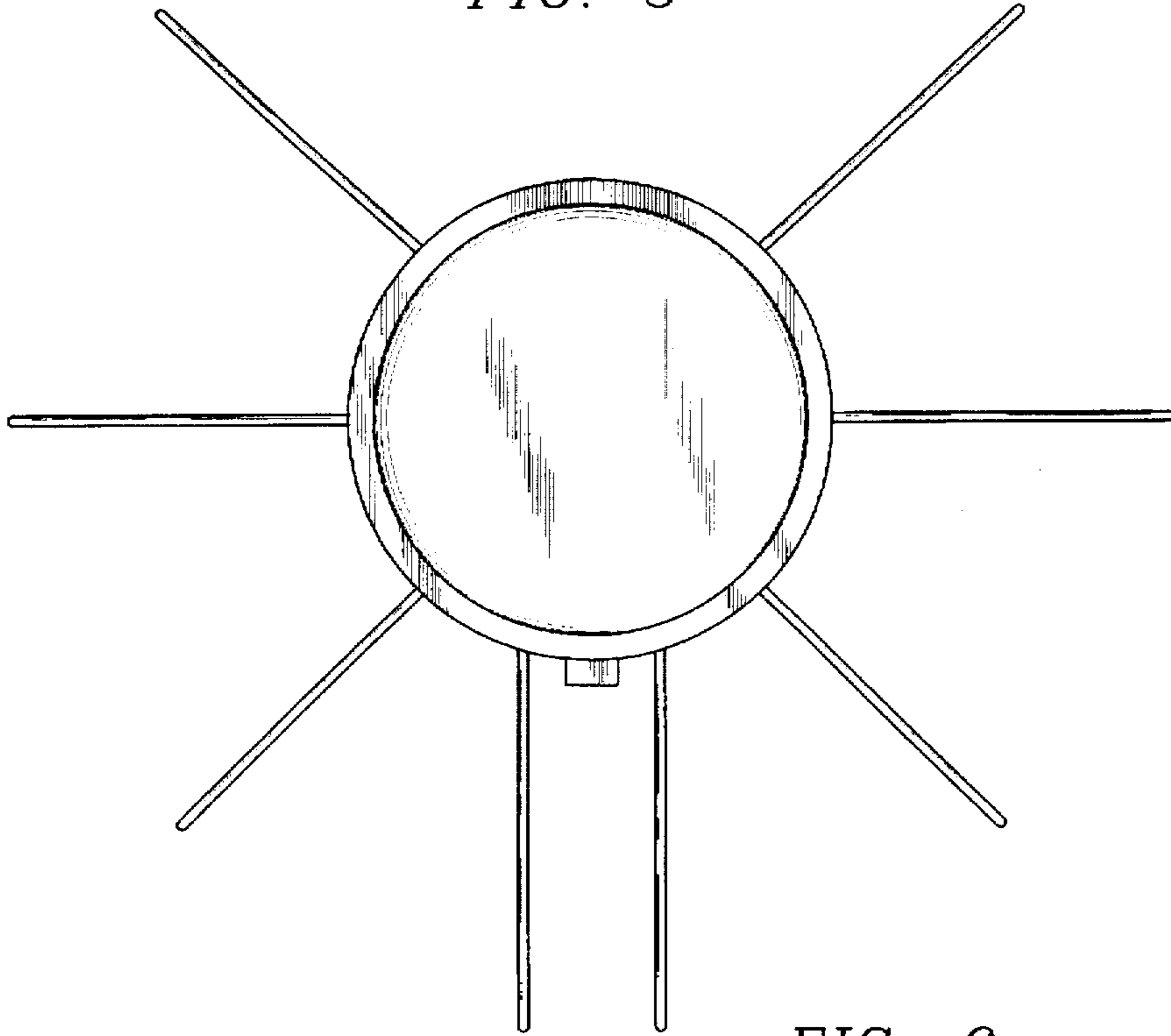


FIG. 6

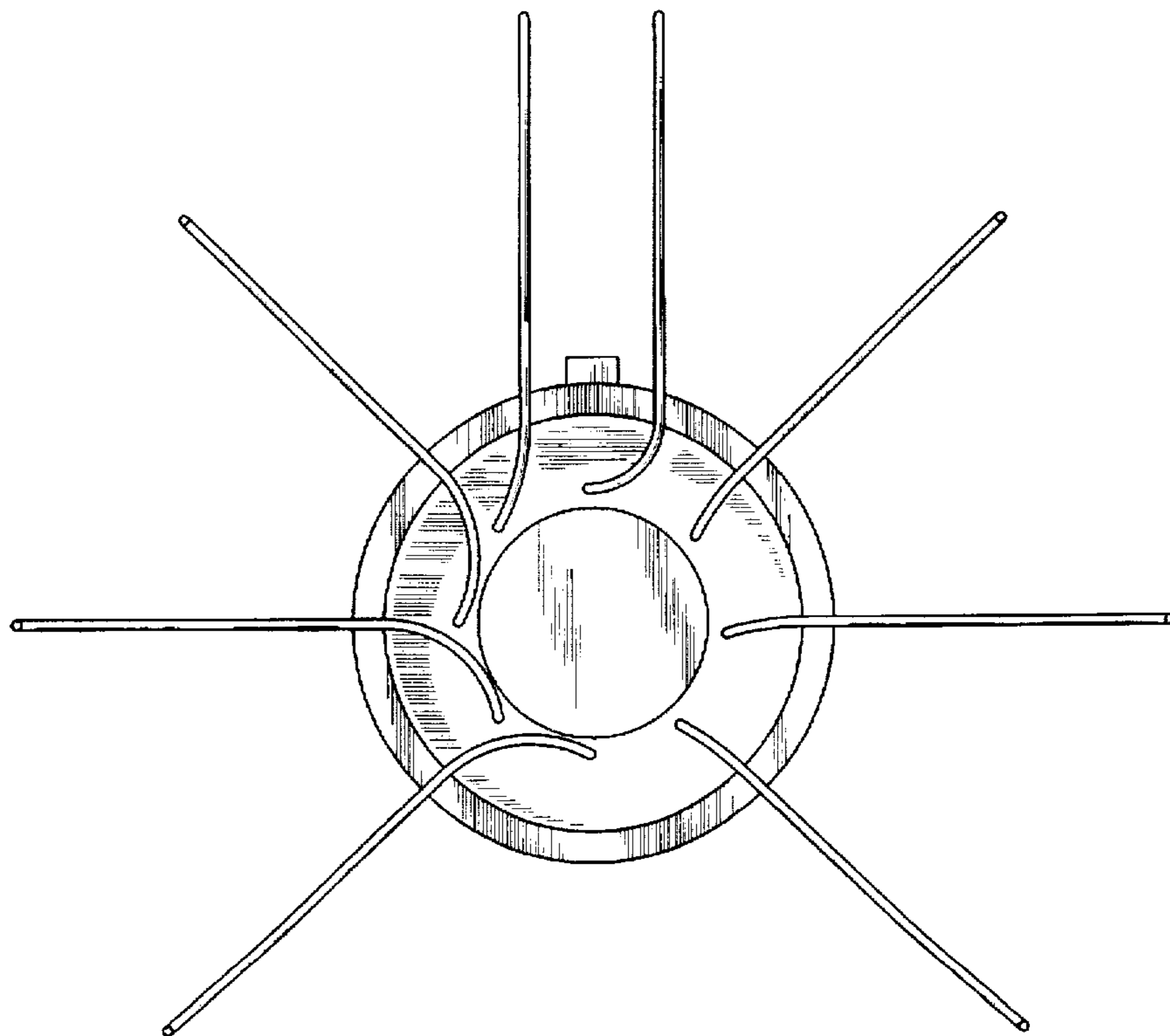


FIG. 7

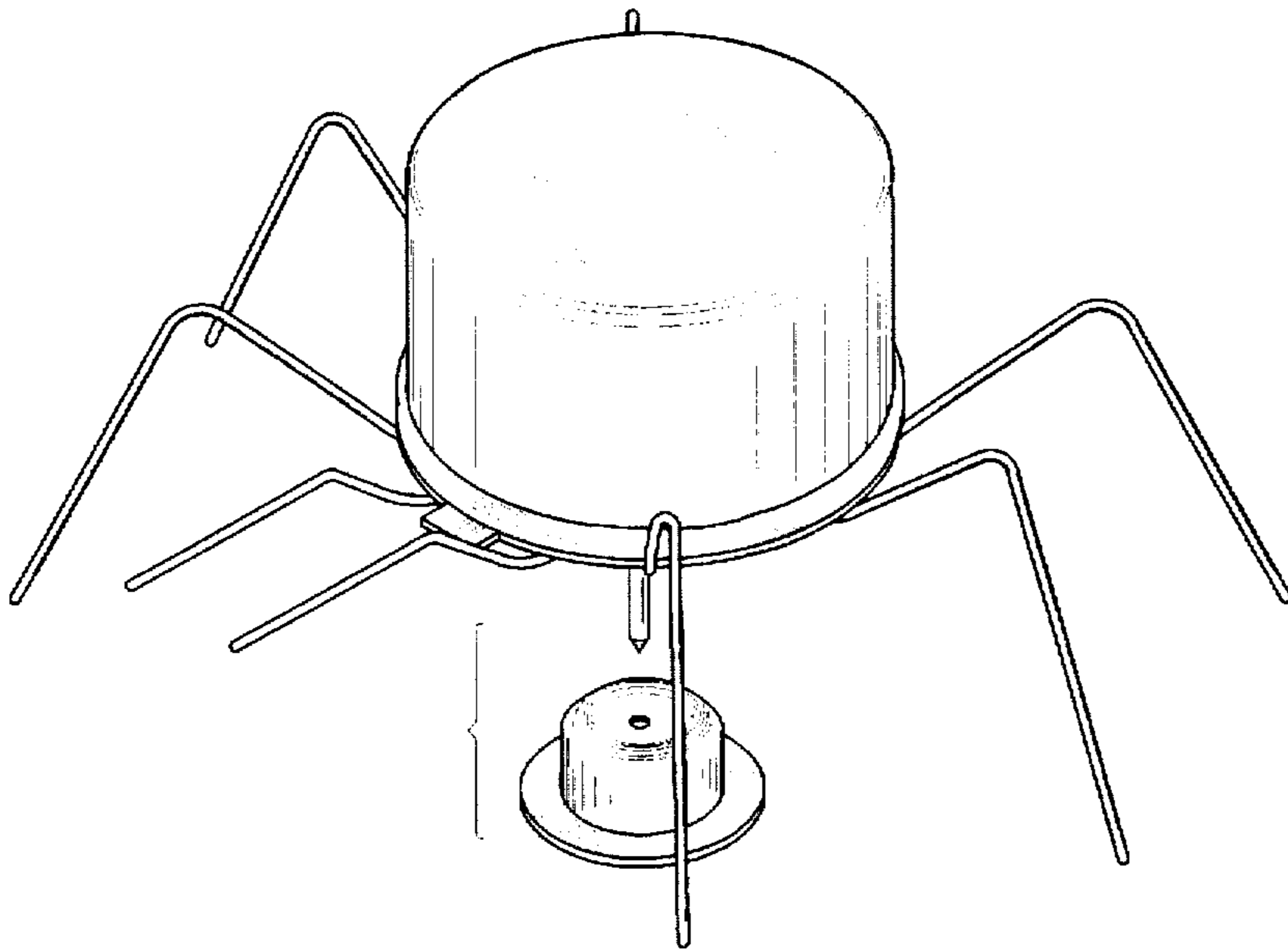


FIG. 8

