

US00D385508S

# United States Patent [19]

[11] Patent Number: **Des. 385,508**

Regier

[45] Date of Patent: **\*\*Oct. 28, 1997**

[54] **TANGLE-FREE FLAG POLE ACCESSORY WITH COUPLEABLE ROTATABLE TOP PORTION**

1,745,814	2/1930	Sadler	.....	D11/181 X
1,932,436	10/1933	Barnhill	.....	D11/181 X
2,255,352	9/1941	Greenquist et al.	.....	D11/166 X
2,853,046	9/1958	Meade	.....	D11/166 X
3,242,901	3/1966	Olson	.....	D11/166 X

[76] Inventor: **Derek J. Regier**, General Delivery, Kippen, Ontario, Canada, N0M 2E0

*Primary Examiner*—M. N. Pandozzi

[\*\*] Term: **14 Years**

[57] **CLAIM**

[21] Appl. No.: **48,276**

The ornamental design for a tangle-free flag pole accessory with coupleable rotatable top portion, as shown and described.

[22] Filed: **Dec. 22, 1995**

### DESCRIPTION

[51] LOC (6) Cl. .... **11-05**

[52] U.S. Cl. .... **D11/182; D11/182**

[58] Field of Search ..... **D11/181, 182, D11/166; 248/539; 116/173**

FIG. 1 is a front elevational view of the tangle-free flag pole accessory with coupleable rotatable top portion showing my new design;

FIG. 2 is a rear elevational view thereof;

FIG. 3 is a right view thereof;

FIG. 4 is a left view thereof;

FIG. 5 is a top plan view thereof; and,

FIG. 6 is a bottom plan view thereof.

FIGS. 1-4 are drawn broken away to show indefinite length.

### [56] References Cited

#### U.S. PATENT DOCUMENTS

D. 56,376	10/1920	O'Connell	.....	D11/181
D. 244,679	6/1977	Outerbridge	.....	D11/181
D. 271,190	11/1983	Dostourian	.....	D11/181
1,002,260	9/1911	Golden	.....	116/173
1,401,626	12/1921	Mader	.....	D11/166 X

**1 Claim, 3 Drawing Sheets**

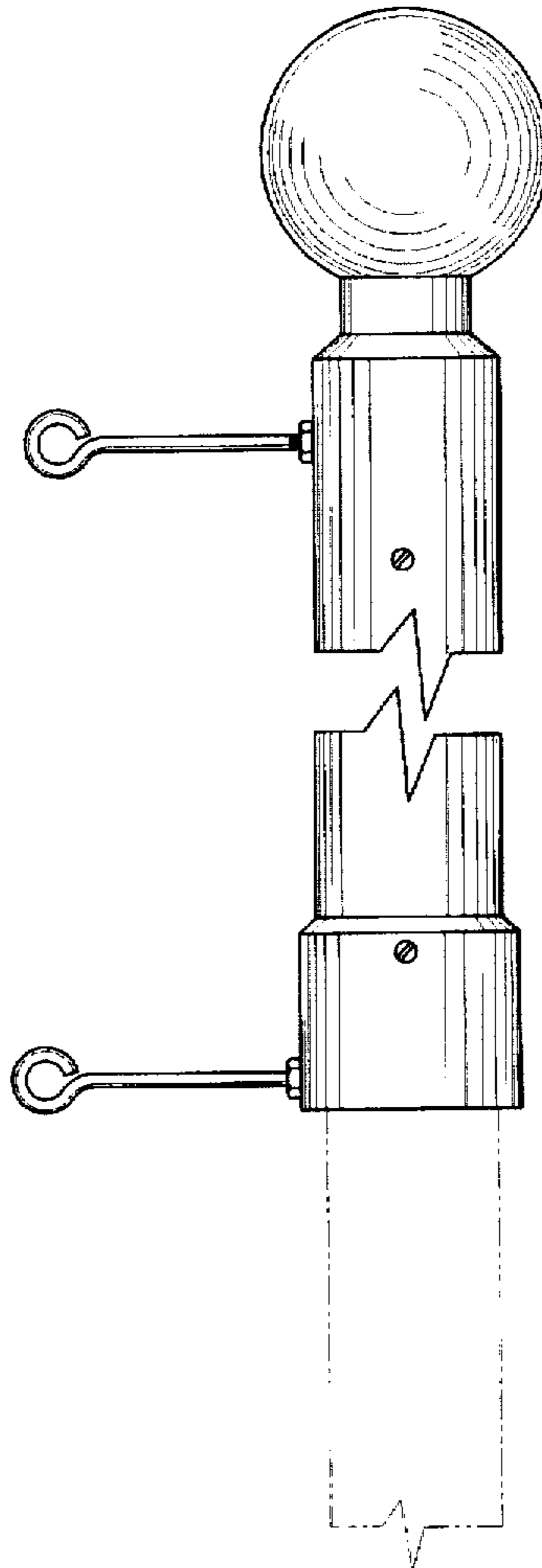


FIG. 1

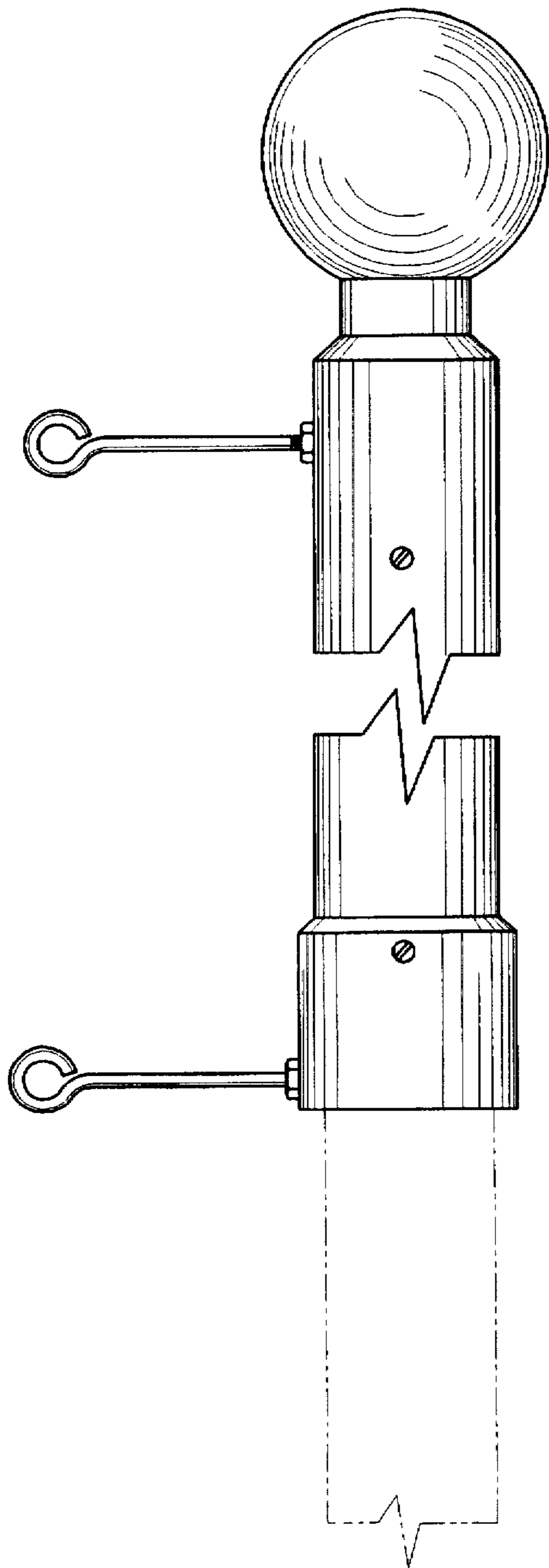


FIG. 2

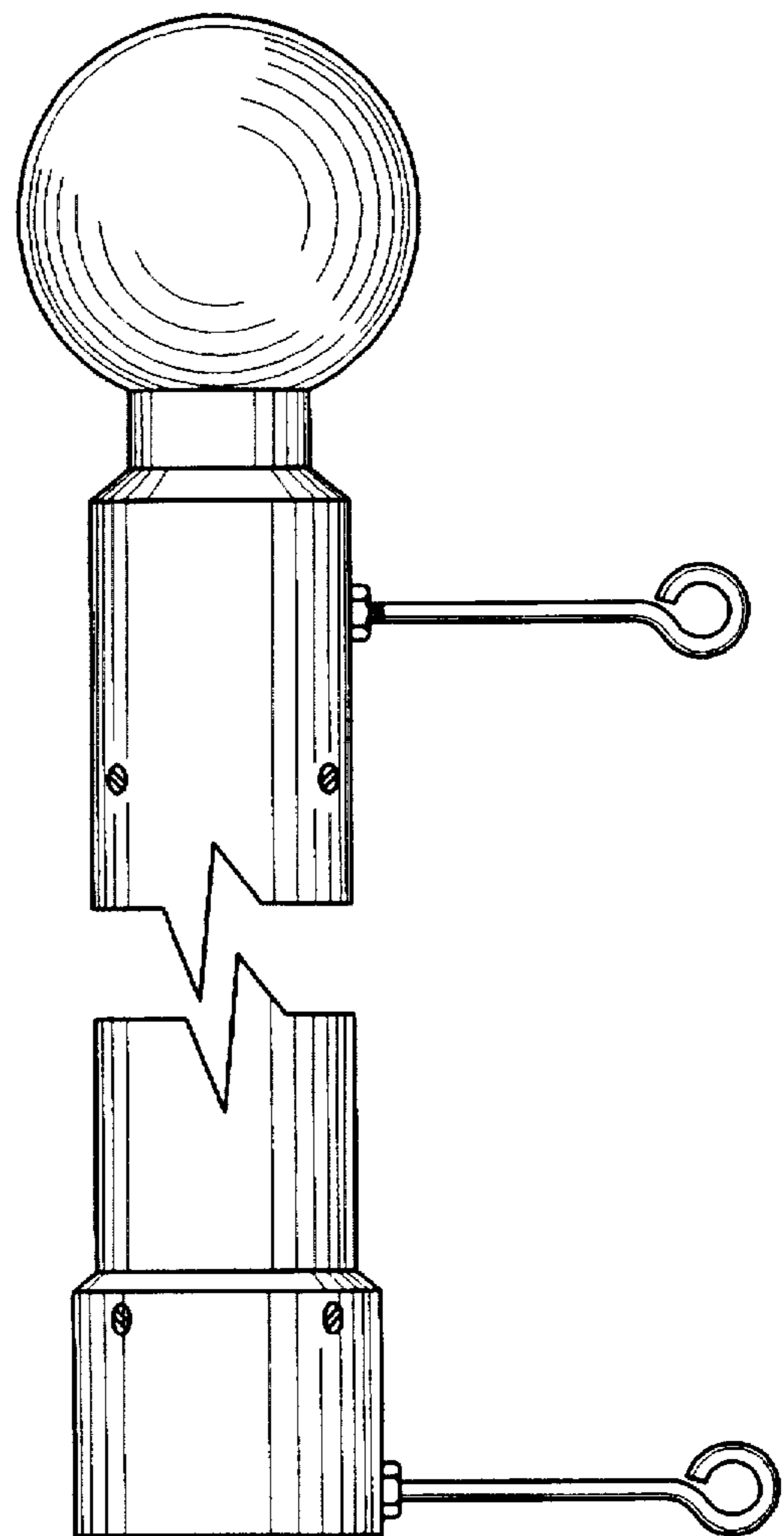


FIG. 3

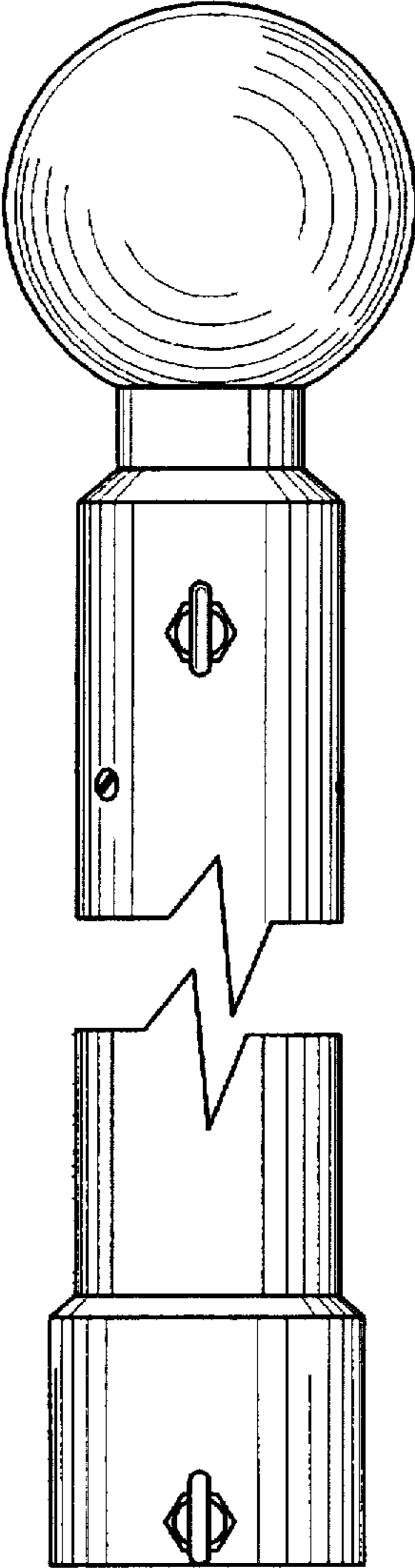
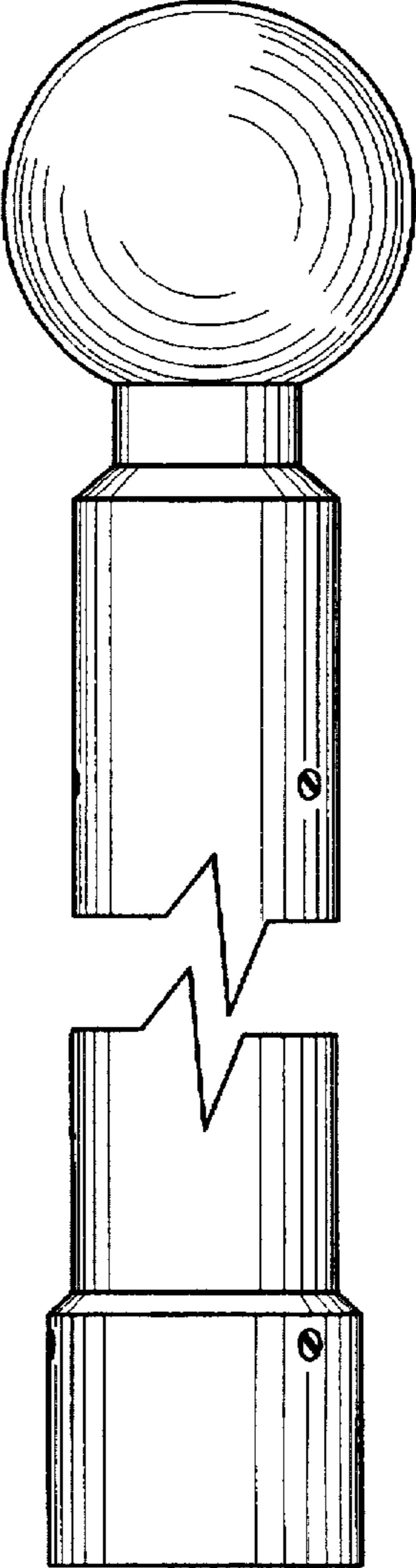
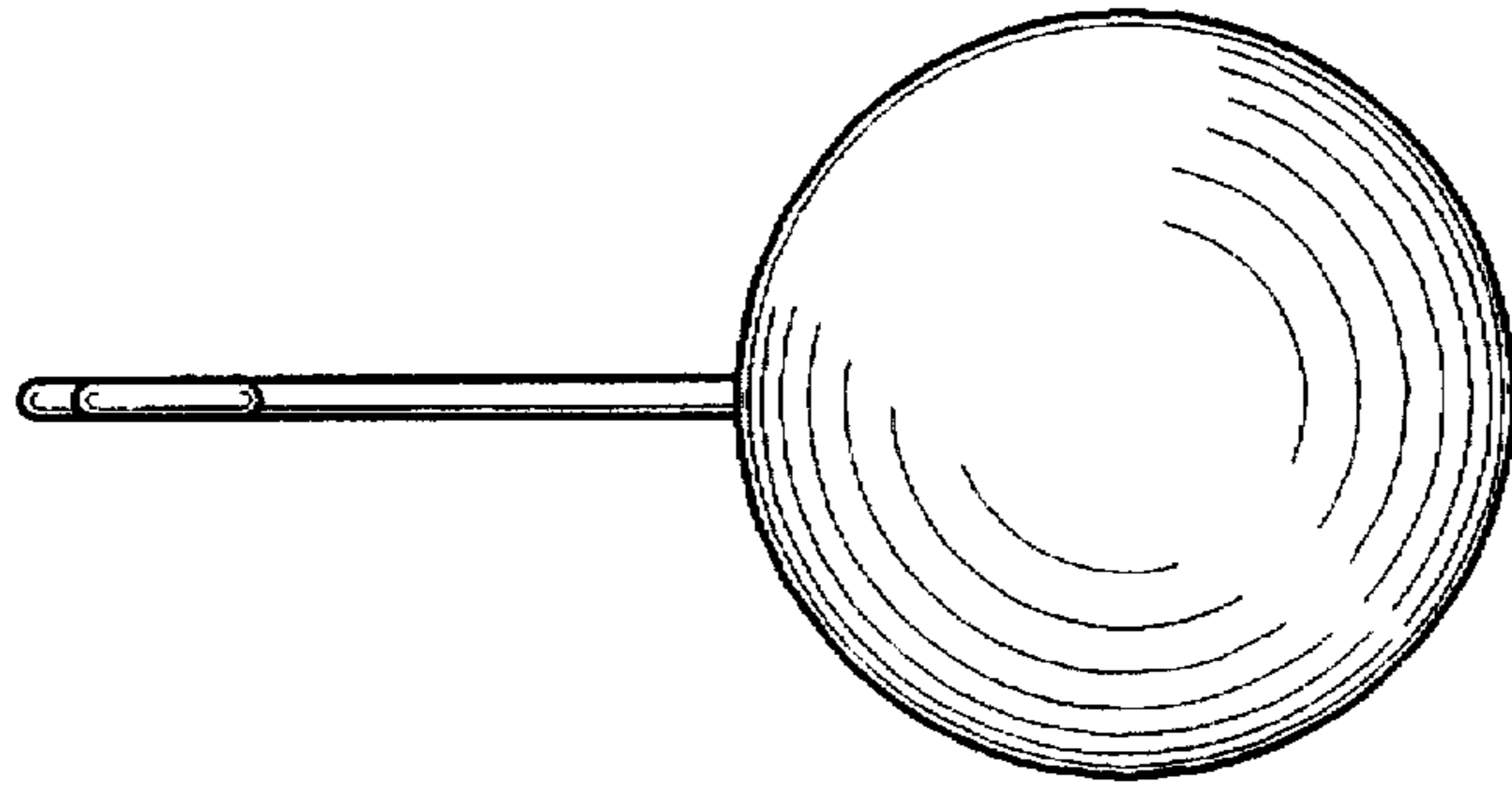


FIG. 4



*FIG. 5*



*FIG. 6*

