



US00D385507S

**United States Patent** [19]  
**Hulsebus**

[11] **Patent Number: Des. 385,507**

[45] **Date of Patent: \*\*Oct. 28, 1997**

[54] **PLANTER**

**FOREIGN PATENT DOCUMENTS**

[75] **Inventor: Randy K. Hulsebus, Plymouth, Wis.**

2595903 9/1987 France ..... 47/82

[73] **Assignee: Bemis Manufacturing Company,  
Sheboygan Falls, Wis.**

*Primary Examiner*—Caron D. Veynar  
*Attorney, Agent, or Firm*—Michael, Best & Friedrich

[\*\*] **Term: 14 Years**

[57] **CLAIM**

[21] **Appl. No.: 42,474**

The ornamental design for a planter, as shown and described.

[22] **Filed: Aug. 11, 1995**

**DESCRIPTION**

[51] **LOC (6) Cl. .... 11-02**

[52] **U.S. Cl. .... D11/156**

[58] **Field of Search** ..... D11/143-145,  
D11/155, 156; D6/403-405, 556; 47/18 R,  
26 R, 28.1-32, 38-41.13, 44-47, 66-72,  
79 N, 82, 83, 86

FIG. 1 is a perspective view of a planter showing my new design;

FIG. 2 is a top plan view thereof;

FIG. 3 is a rear elevational view thereof;

FIG. 4 is a front elevational view thereof;

FIG. 5 is a bottom plan view thereof;

FIG. 6 is a right side elevational view thereof, the left side view being a mirror image of that shown;

FIG. 7 is an exploded perspective view thereof; and,

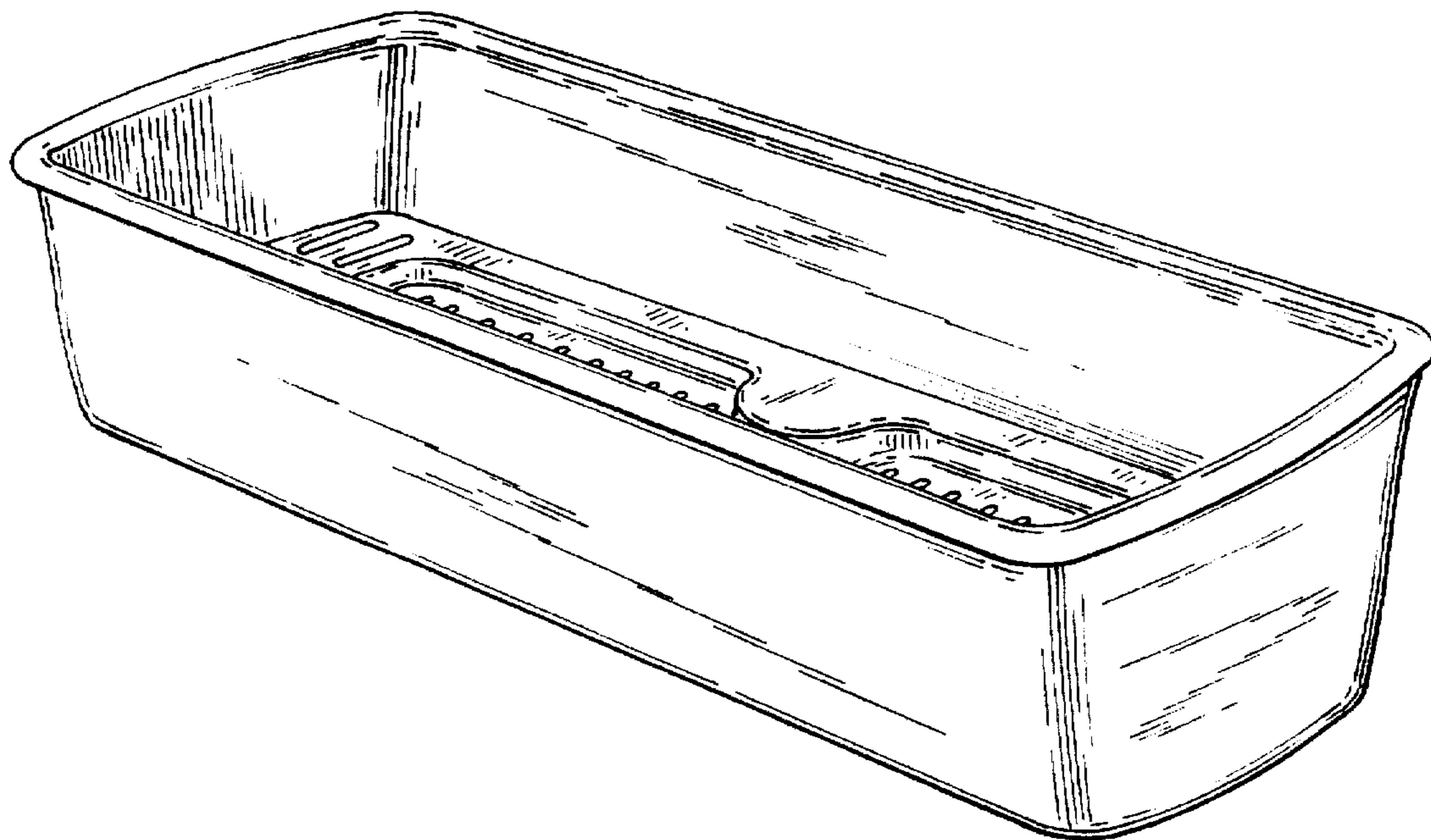
FIG. 8 is a cross section taken along line 8-8 in FIG. 2.

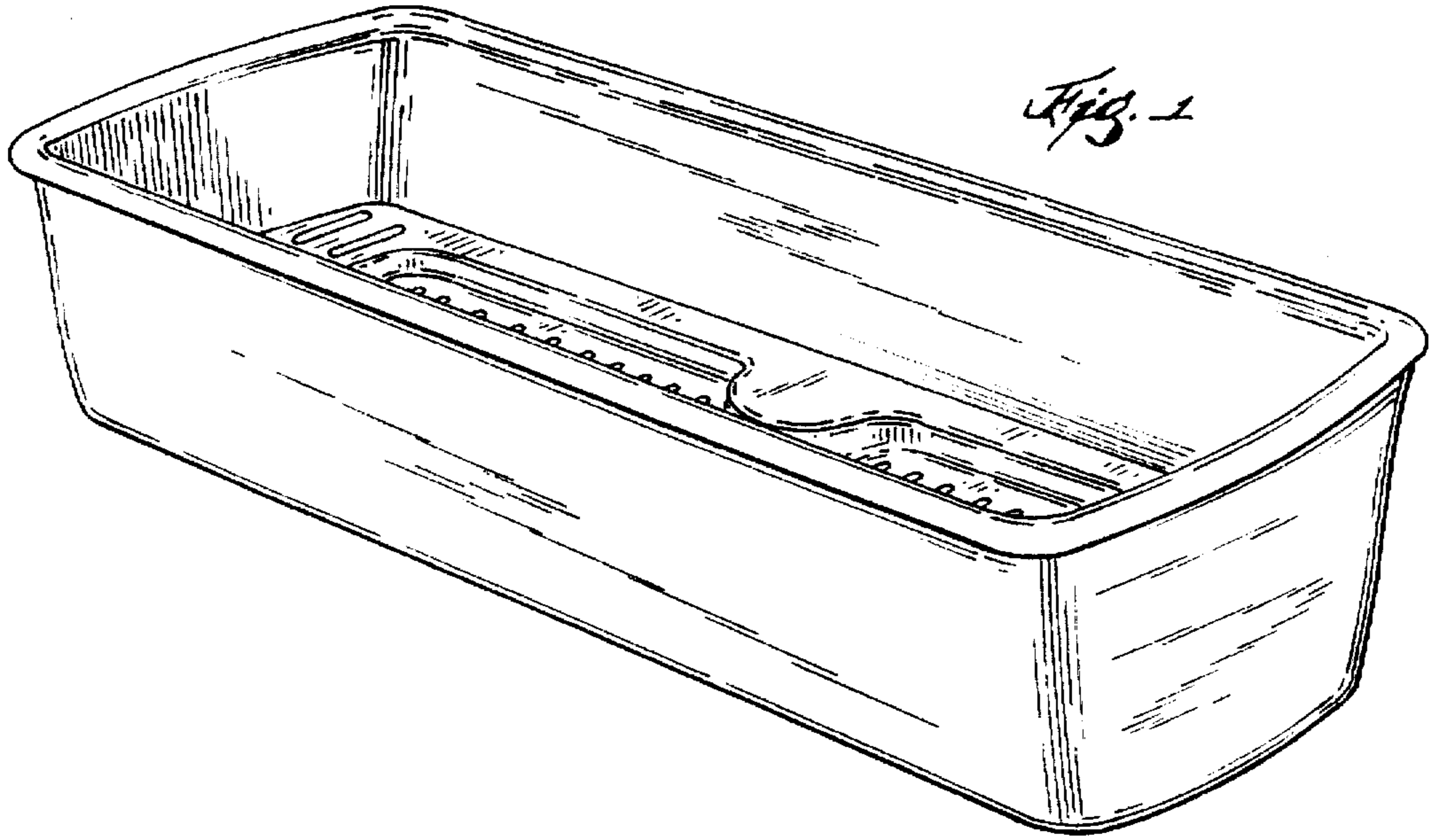
[56] **References Cited**

**U.S. PATENT DOCUMENTS**

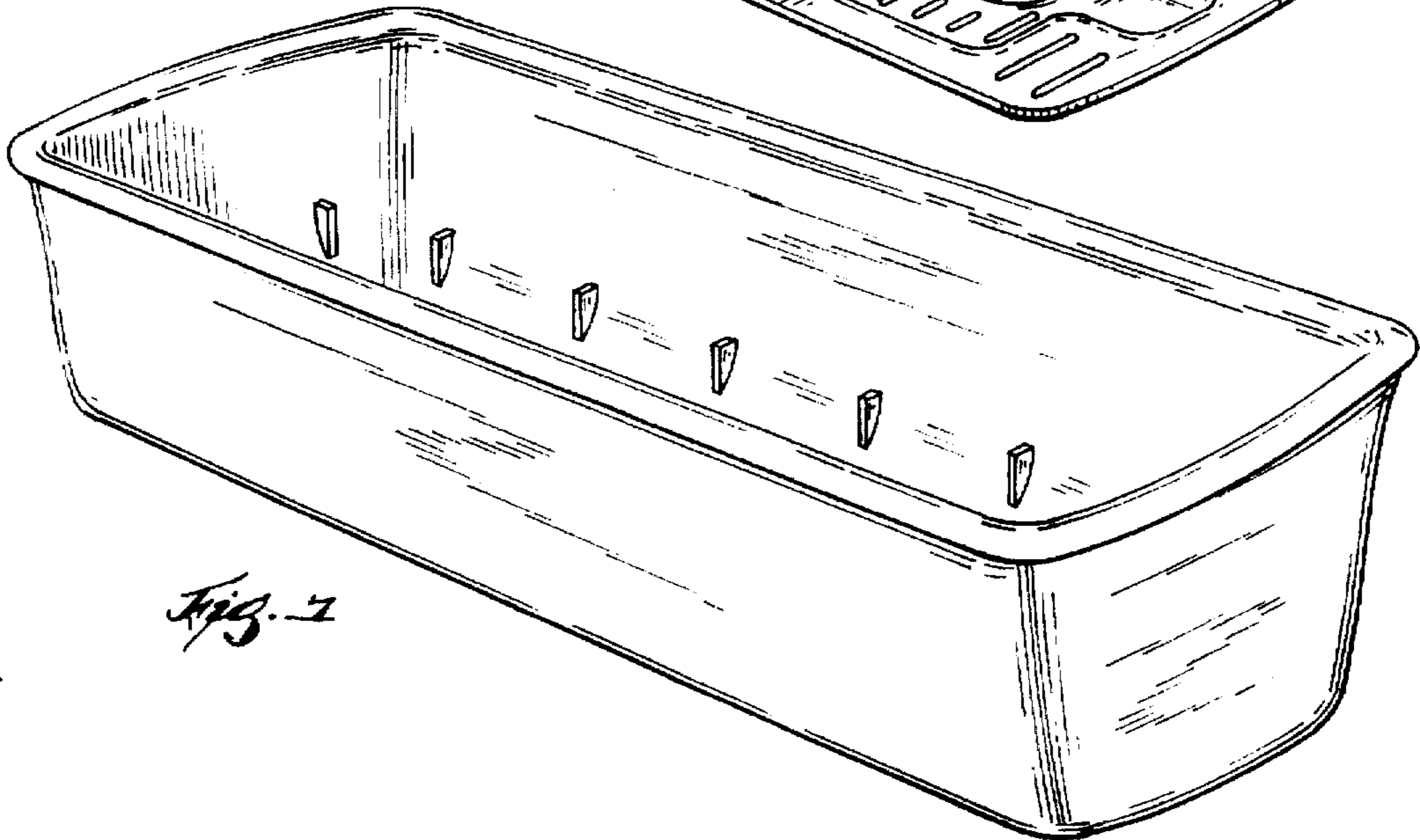
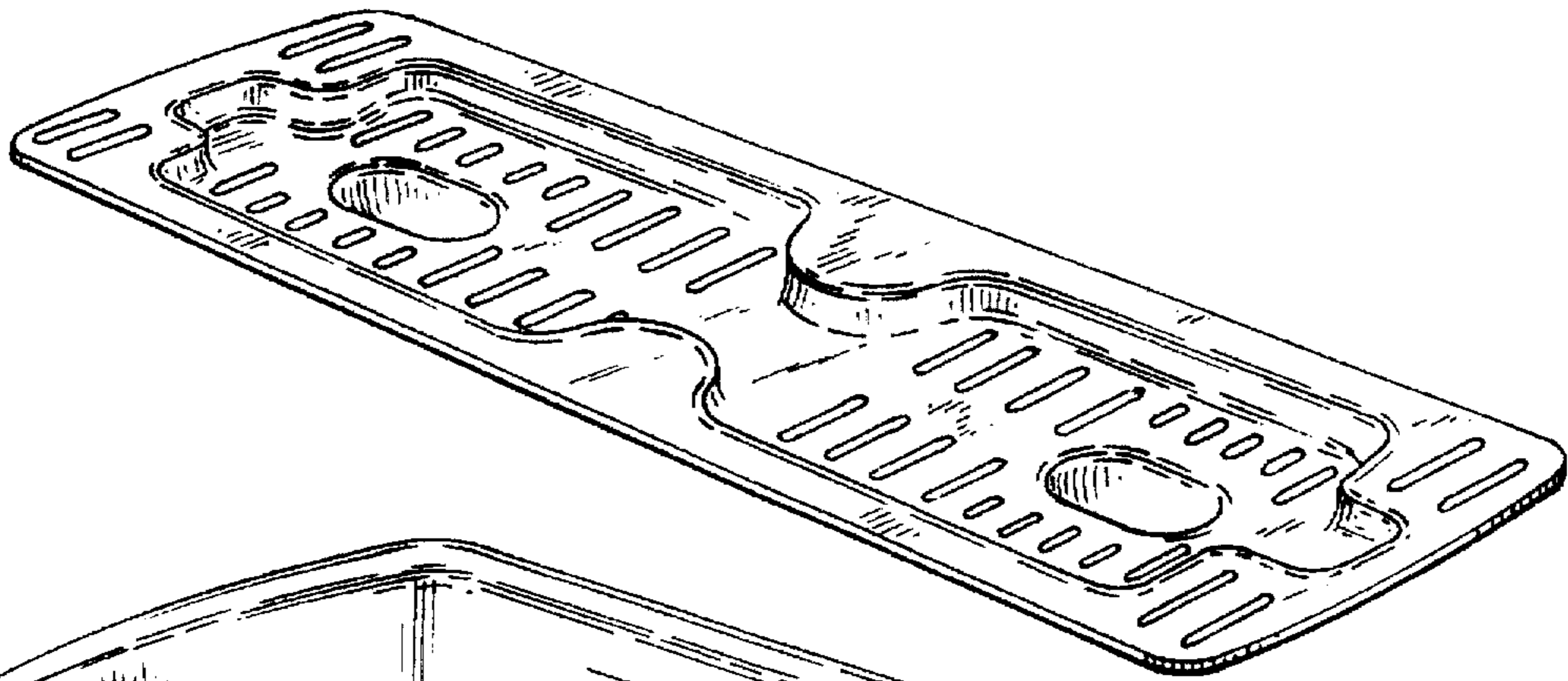
D. 359,013 6/1995 Carlson ..... D11/156

**1 Claim, 4 Drawing Sheets**

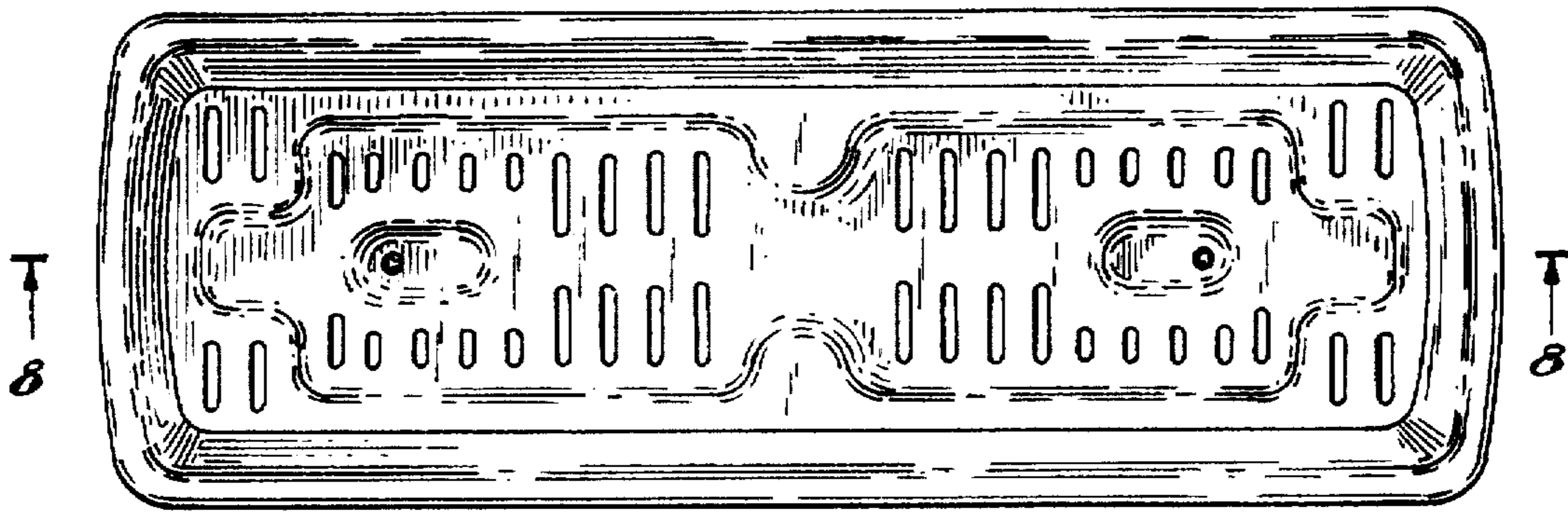




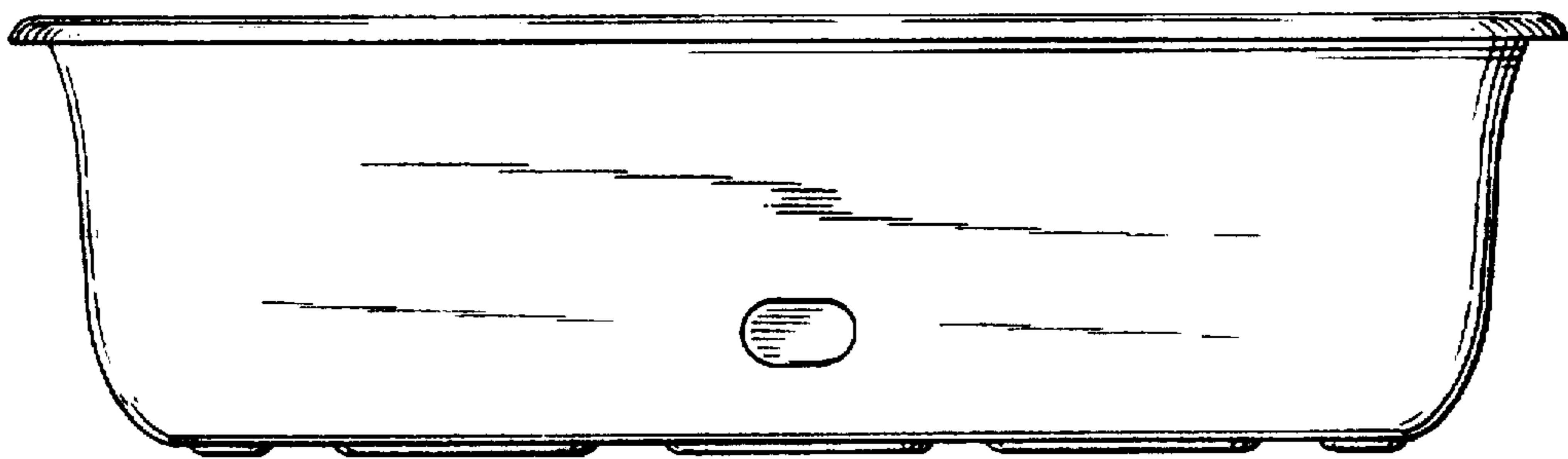
*Fig. 1*



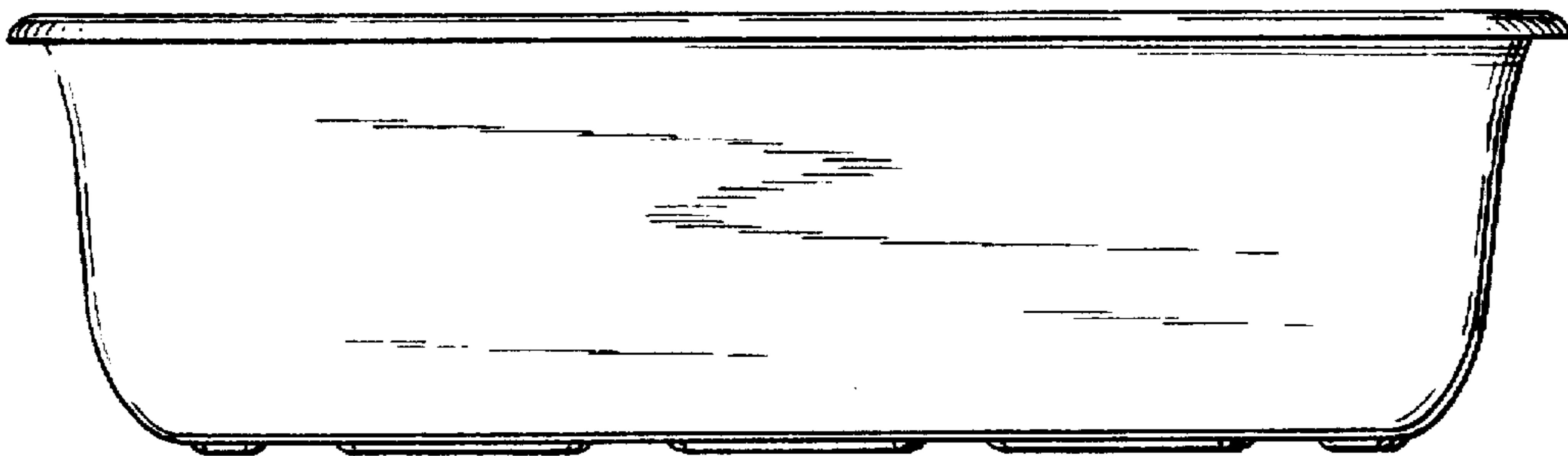
*Fig. 2*



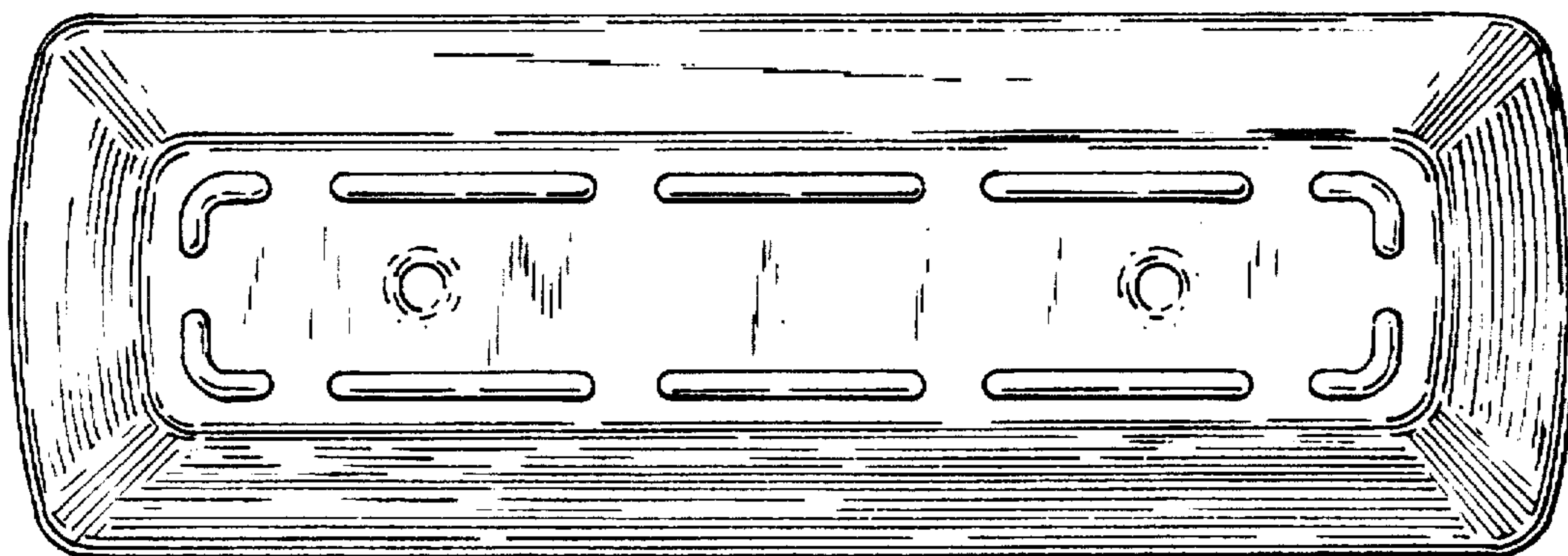
*Fig. 2*



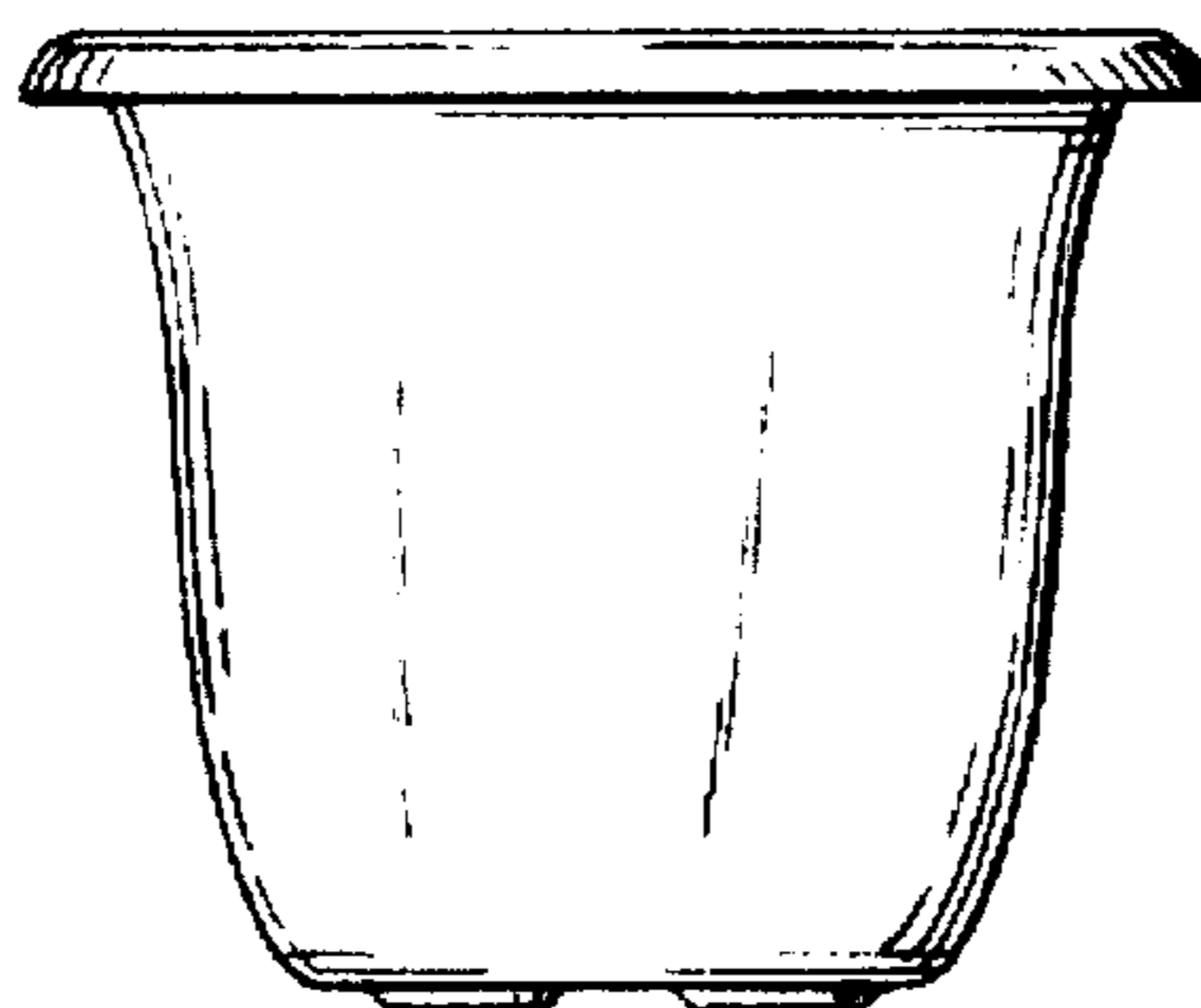
*Fig. 3*



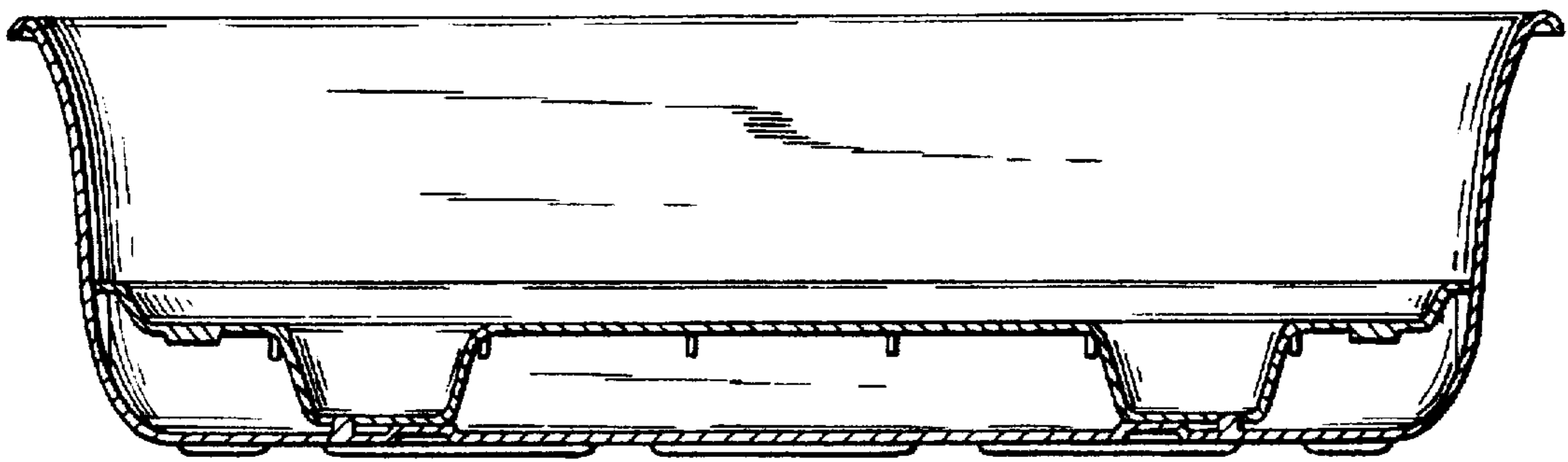
*Fig. 4*



*Fig. 5*



*Fig. 6*



*Fig. 8*