



US00D385503S

# United States Patent [19]

Velazquez

[11] Patent Number: **Des. 385,503**

[45] Date of Patent: **\*\*Oct. 28, 1997**

[54] **DETECTOR FOR HAZARDOUS GASES**

[76] Inventor: **Juan Velazquez**, 2218 N. Leclair Ave., Chicago, Ill. 60639

[\*\*] Term: **14 Years**

[21] Appl. No.: **52,670**

[22] Filed: **Apr. 2, 1996**

[51] LOC (6) Cl. .... **10-05**

[52] U.S. Cl. .... **D10/106**

[58] Field of Search ..... D10/104, 106, D10/116, 121; 340/540, 628, 629, 632, 633, 634, 630

[56] **References Cited**

**U.S. PATENT DOCUMENTS**

D. 222,897	1/1972	White	.....	D10/116
D. 297,317	8/1988	Taylor	.....	D10/106
D. 340,200	10/1993	Carmi	.....	D10/106

D. 350,300	9/1994	Browning	.....	D10/106
D. 368,038	3/1996	Velaquez	.....	D10/106
D. 369,566	5/1996	Poon	.....	D10/106

*Primary Examiner*—Marcus A. Jackson  
*Attorney, Agent, or Firm*—James A. Wong

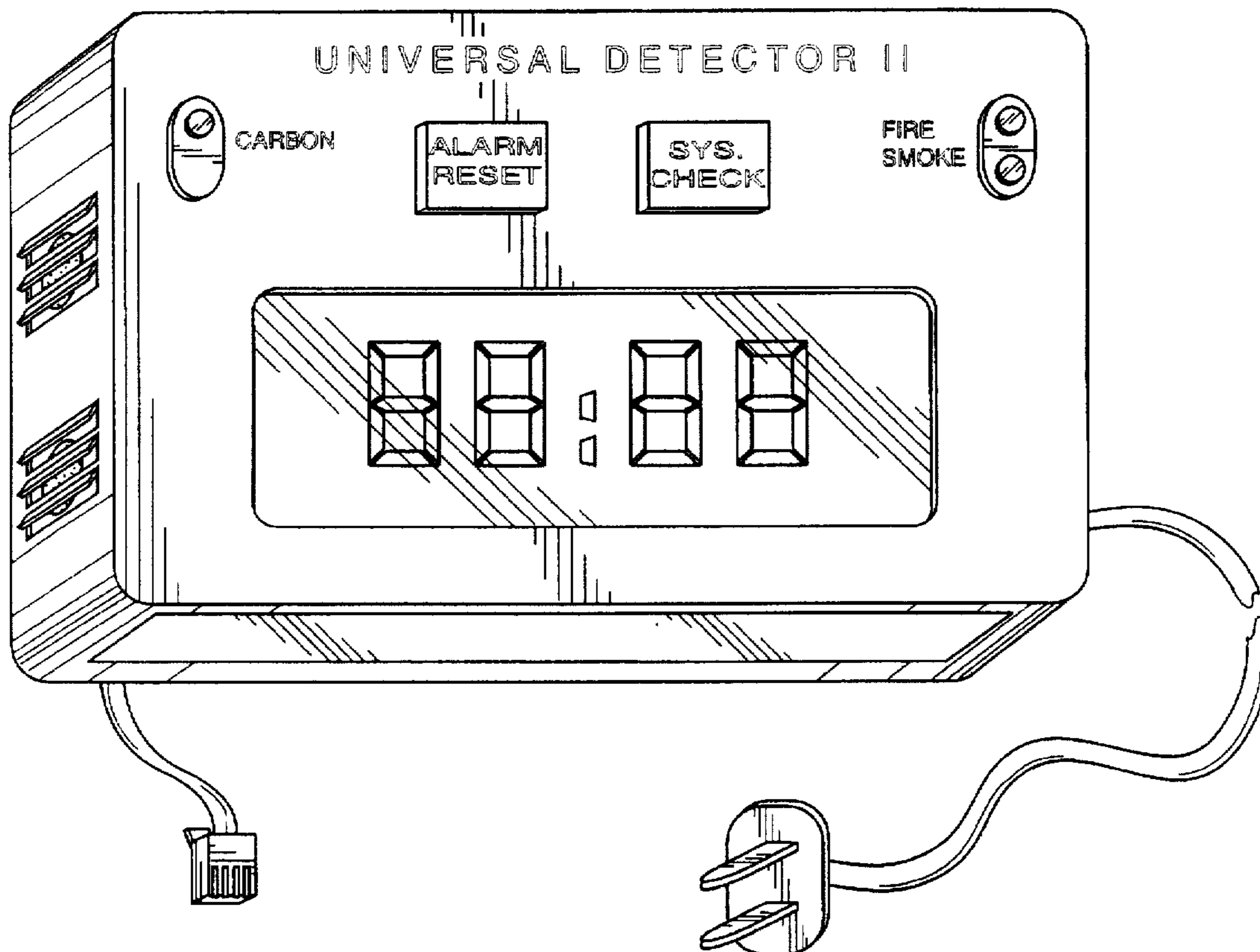
[57] **CLAIM**

The ornamental design for a detector for hazardous gases, as shown and described.

**DESCRIPTION**

FIG. 1 is a front, bottom and right side perspective view of a dector for hazardous gases constituting my new design, with the cord broken away to indicate indeterminate length; FIG. 2 is a rear elevational view thereof; FIG. 3 is a right side elevational view thereof; FIG. 4 is a left side elevational view thereof; FIG. 5 is a top plan view thereof; and, FIG. 6 is a bottom plan view thereof.

**1 Claim, 4 Drawing Sheets**



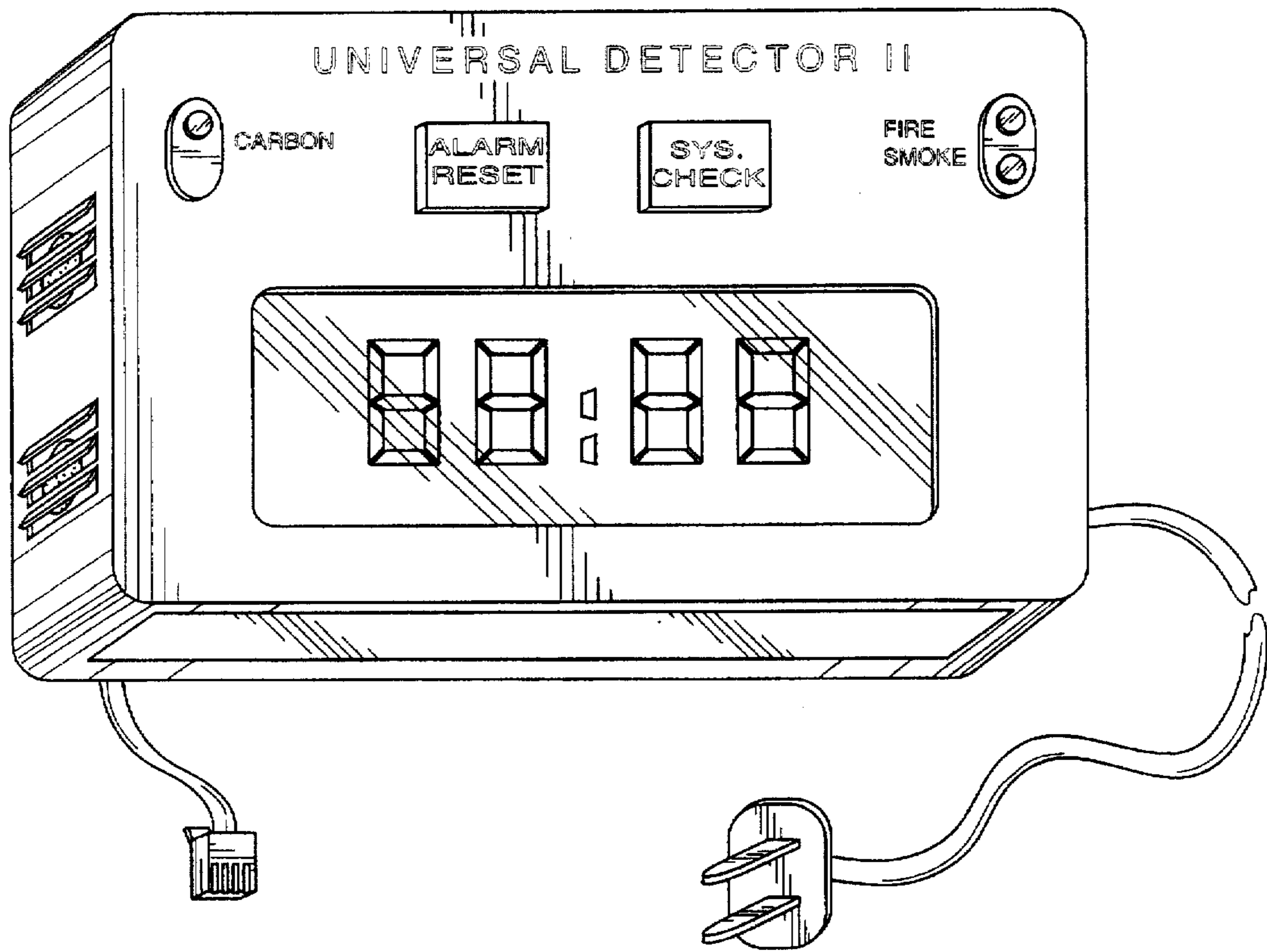


FIG. 1

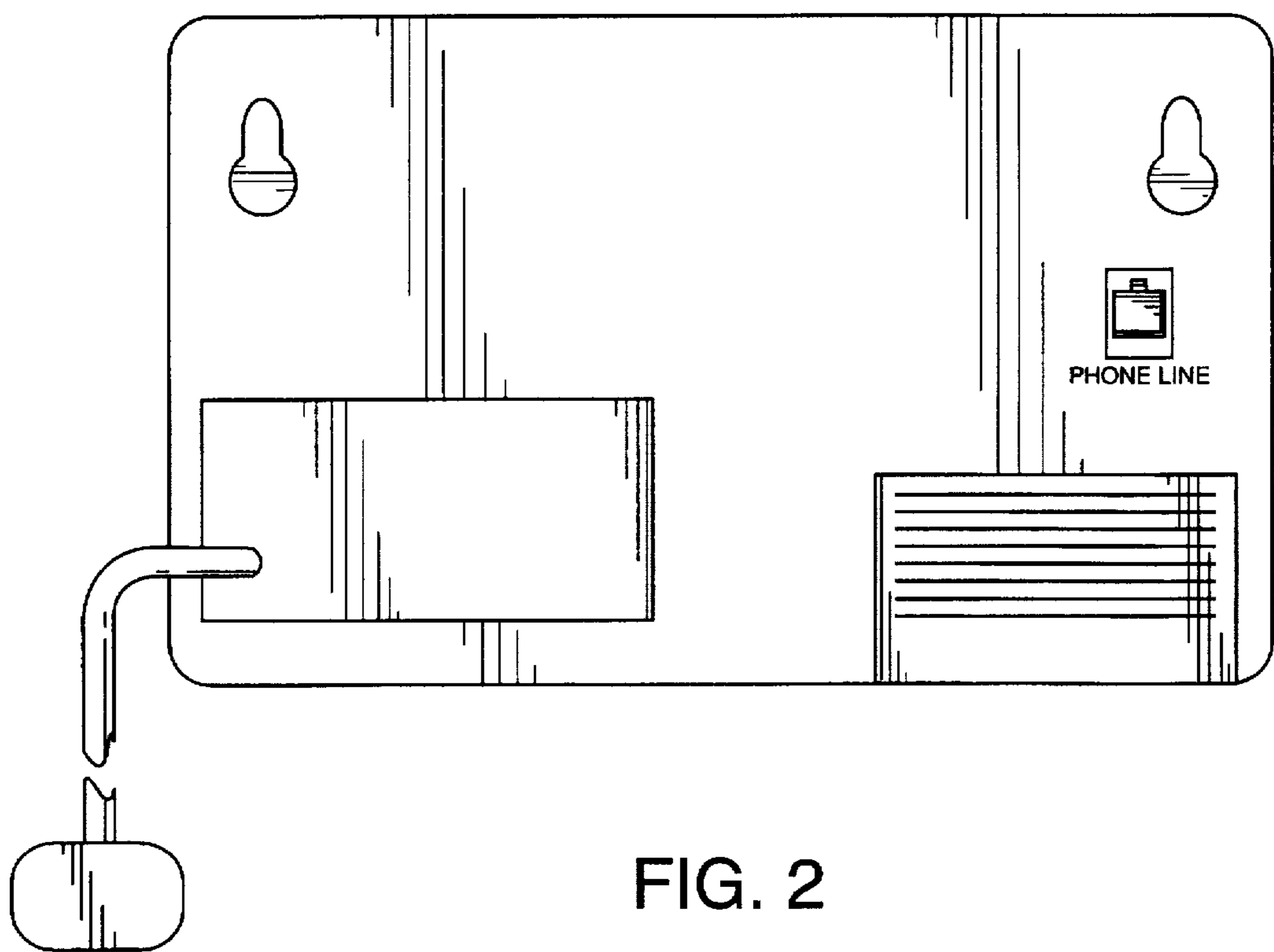


FIG. 2

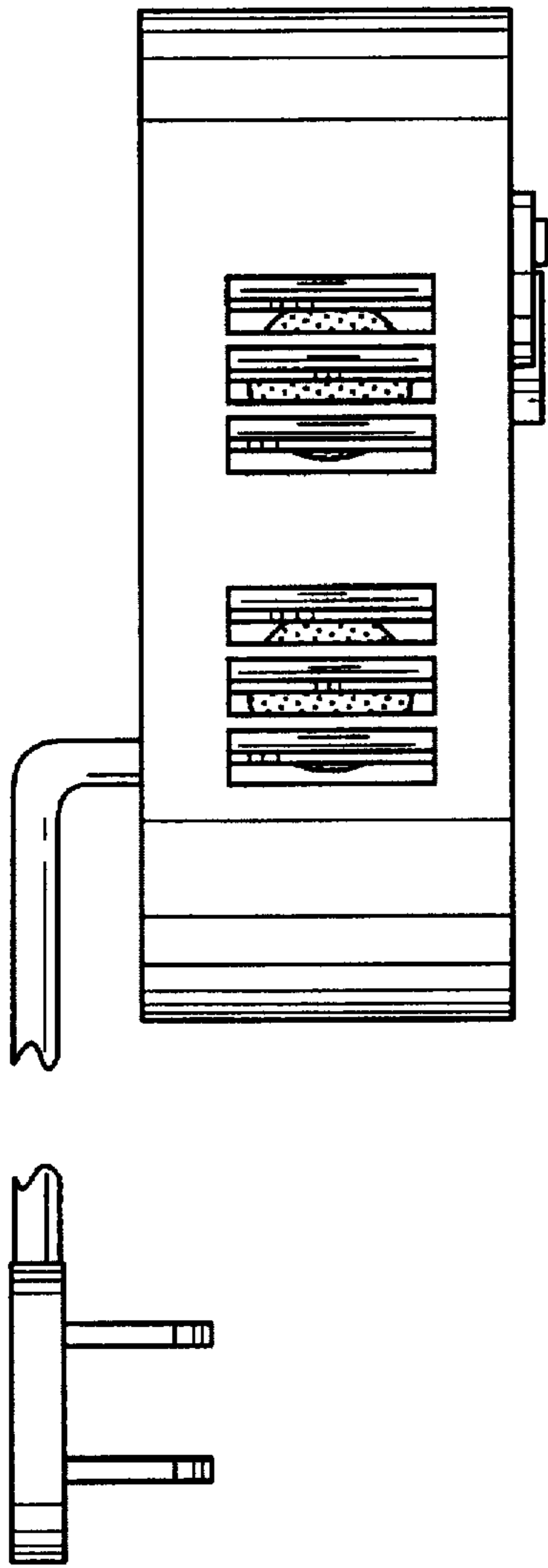


FIG. 3

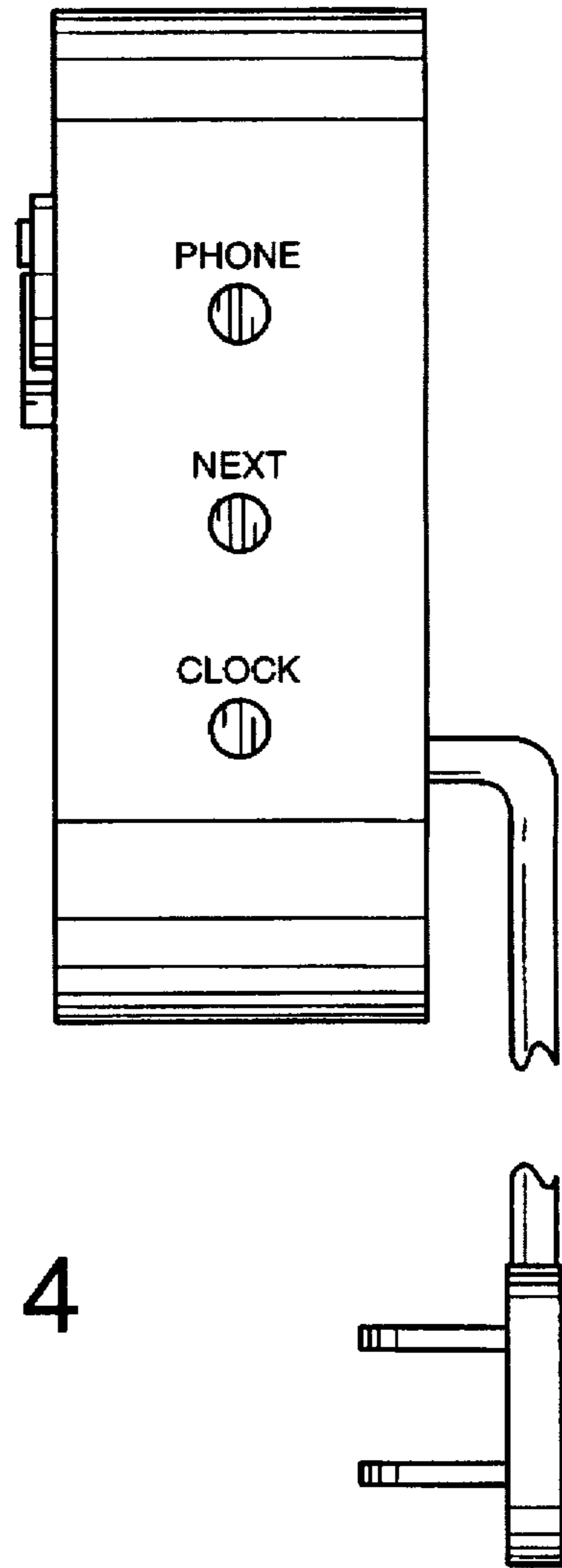


FIG. 4

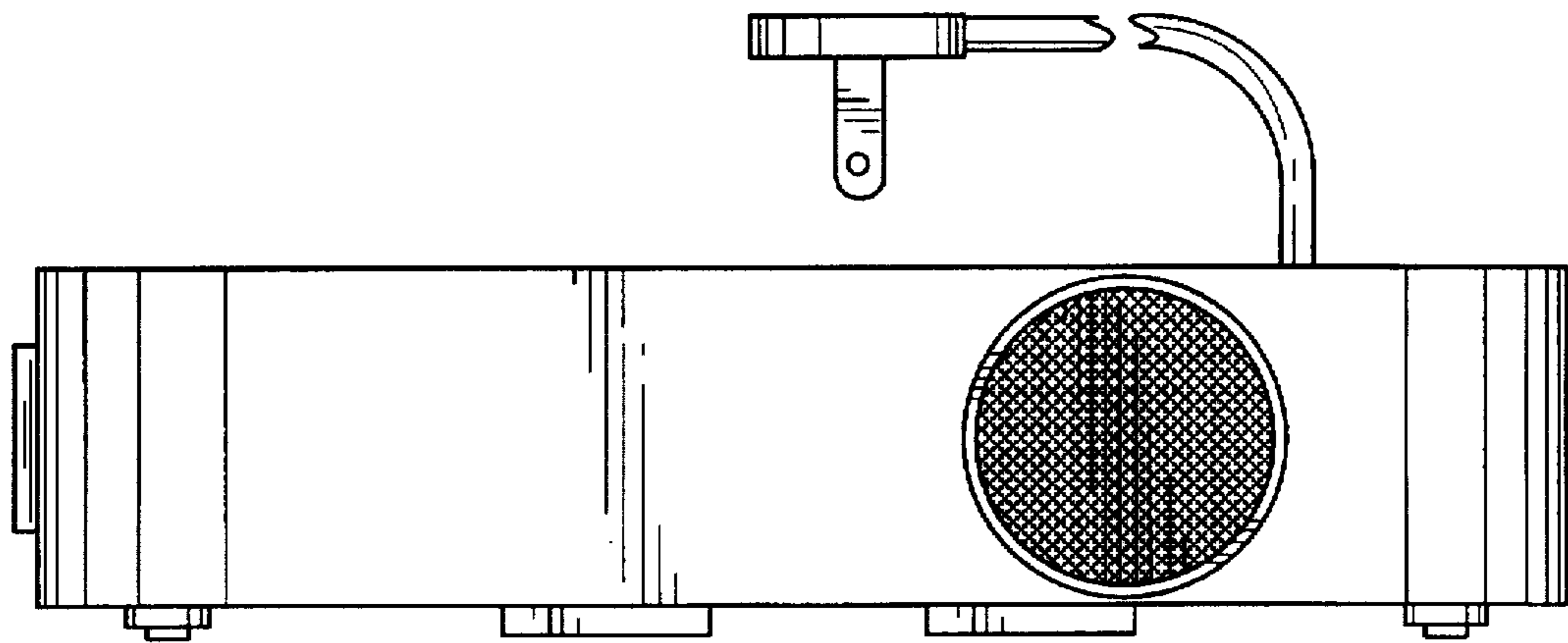


FIG. 5

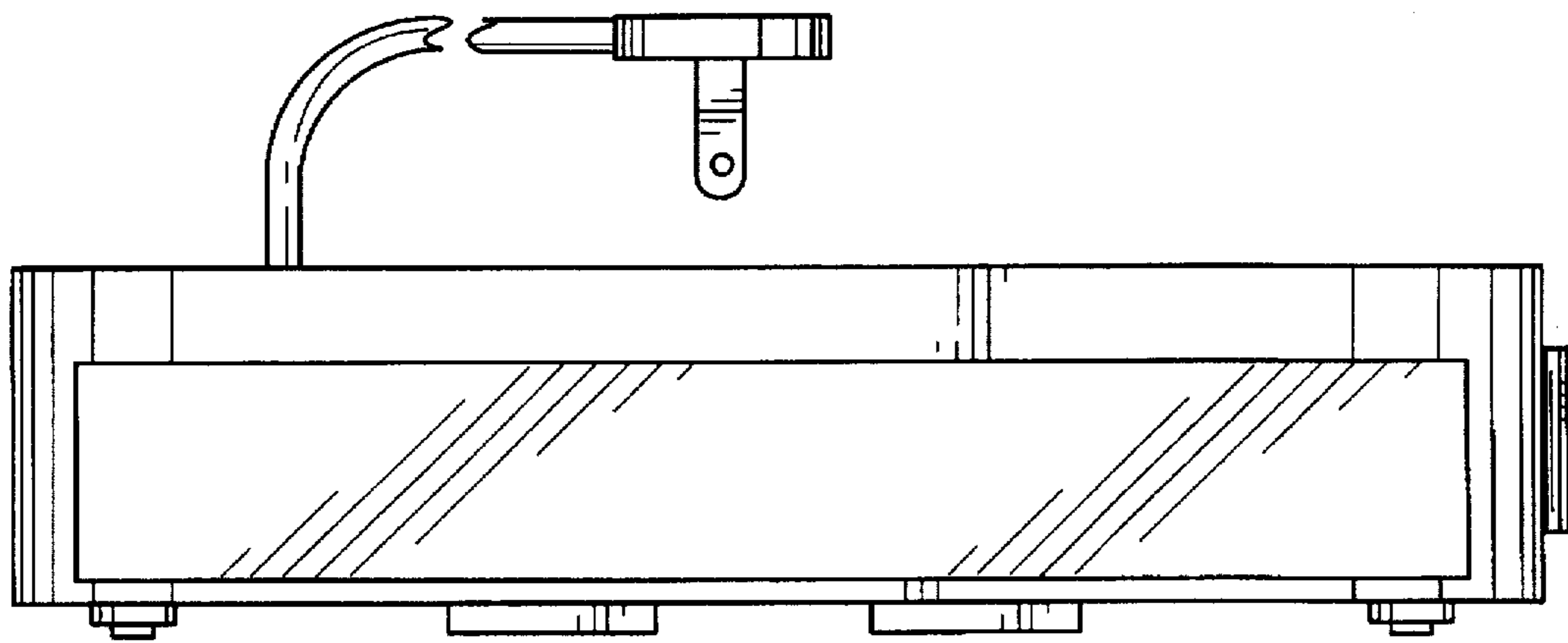


FIG. 6