



US00D385502S

United States Patent [19]

[11] Patent Number: **Des. 385,502**

Lanza

[45] Date of Patent: ****Oct. 28, 1997**

[54] **REMOTELY CONTROLLED, LONG DISTANCE LOCATING BEACON**

D. 345,713	4/1994	Pecht et al.	D10/106
D. 345,932	4/1994	Fedalizo	D10/106
D. 346,125	4/1994	Cote et al.	D10/106
D. 367,017	2/1996	Dempsey	D10/106

[76] Inventor: **Robert J. Lanza**, 84 Papscoe Rd., Hewitt, N.J. 07421

Primary Examiner—Marcus A. Jackson
Attorney, Agent, or Firm—Klauber & Jackson

[**] Term: **14 Years**

[57] **CLAIM**

[21] Appl. No.: **41,461**

The ornamental design for a remotely controlled, long distance location beacon, as shown and described.

[22] Filed: **Jul. 14, 1995**

DESCRIPTION

[51] LOC (6) Cl. **10-05**

[52] U.S. Cl. **D10/104**

[58] Field of Search D26/37-50; D10/104, D10/106, 121; 340/541, 545, 546, 566, 567, 571, 572, 573

FIG. 1 is a front elevational view of the tree-light showing my new design;
FIG. 2 is a rear elevational view thereof;
FIG. 3 is a right view thereof;
FIG. 4 is a left view thereof;
FIG. 5 is top plan view thereof; and,
FIG. 6 is a bottom plan view thereof.

[56] **References Cited**

U.S. PATENT DOCUMENTS

D. 339,757	9/1993	Feeney	D10/106
D. 344,904	3/1994	Dotsikas	D10/106

1 Claim, 3 Drawing Sheets

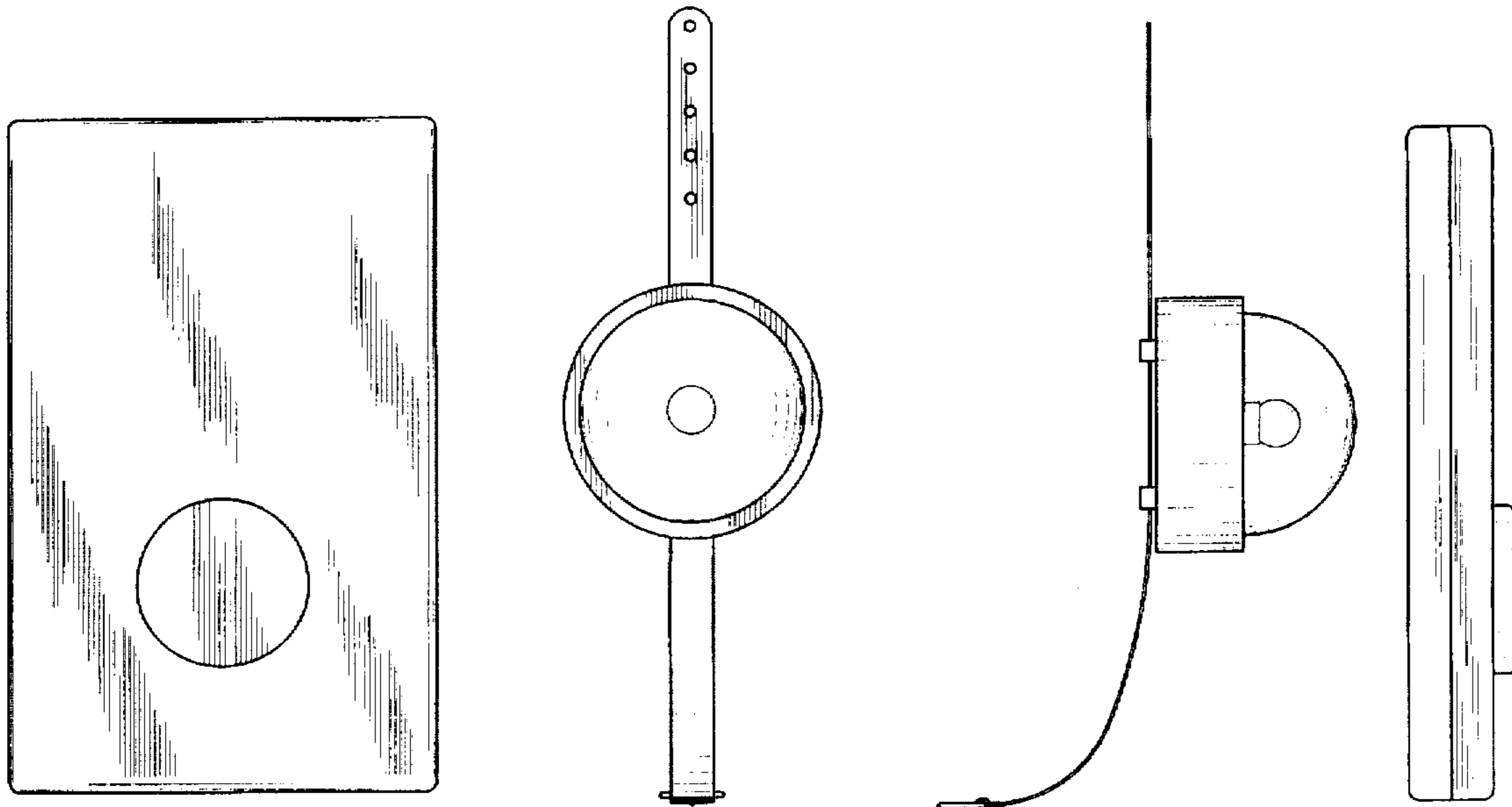


FIG. 1

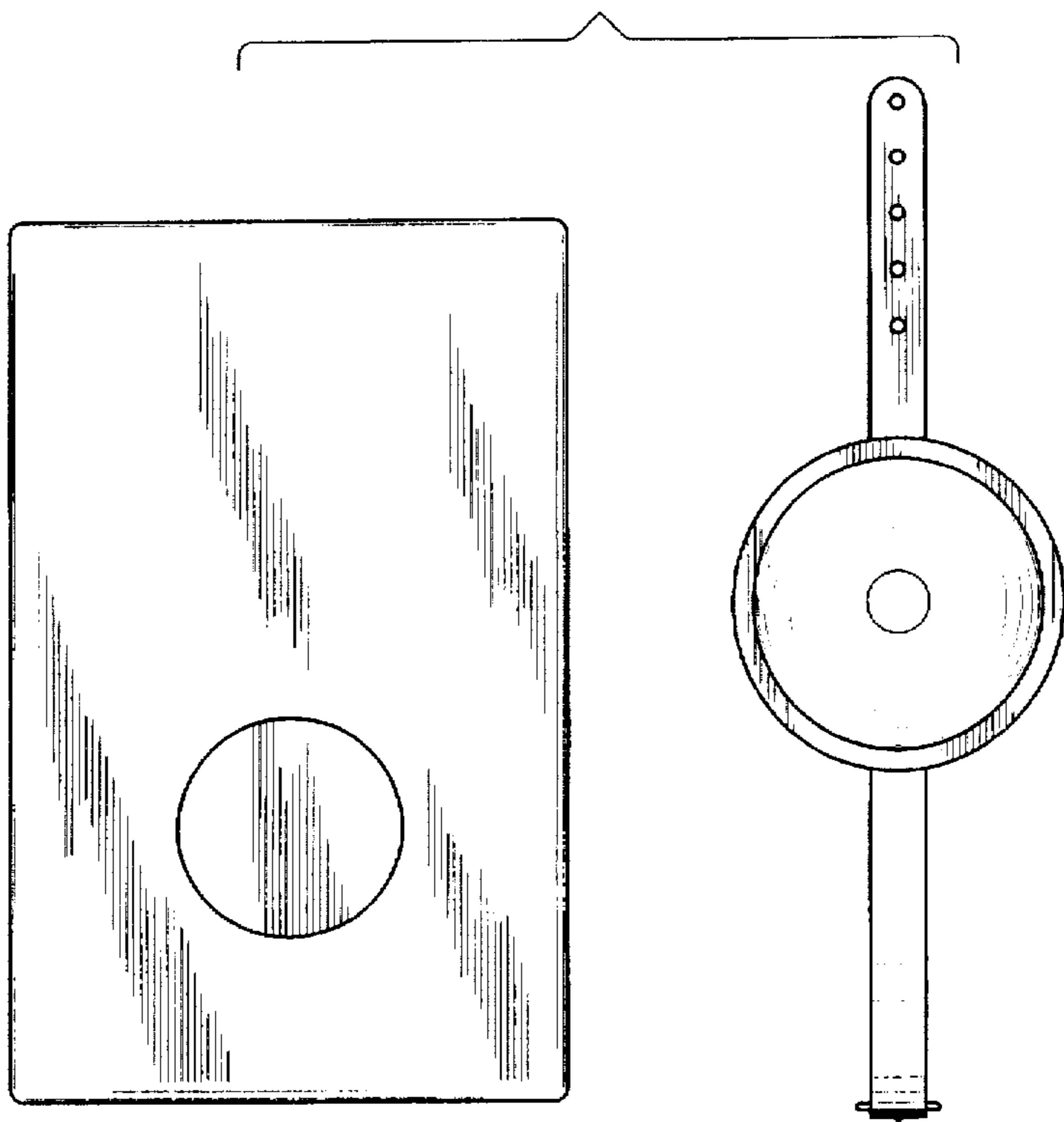


FIG. 2

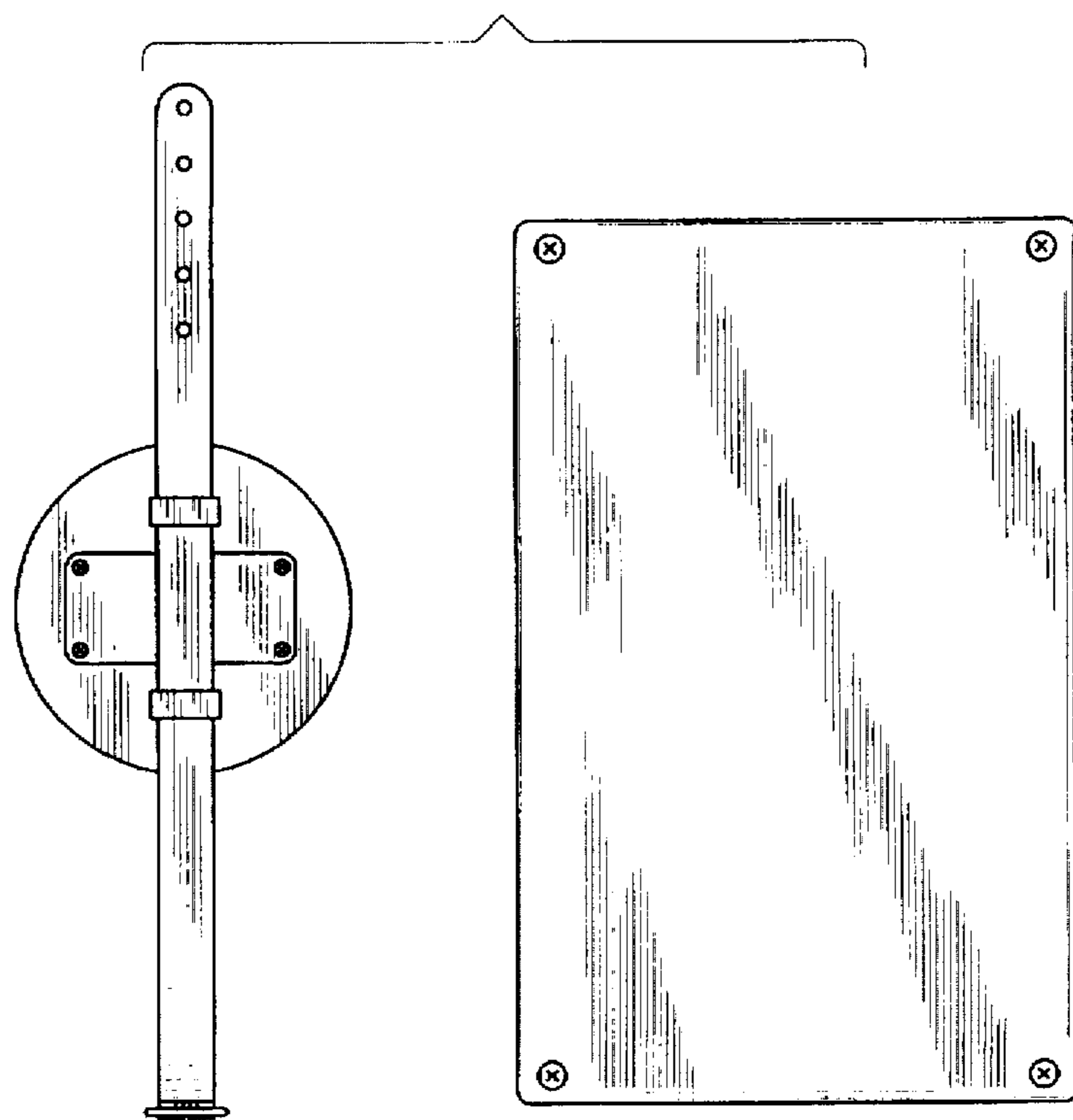


FIG. 3

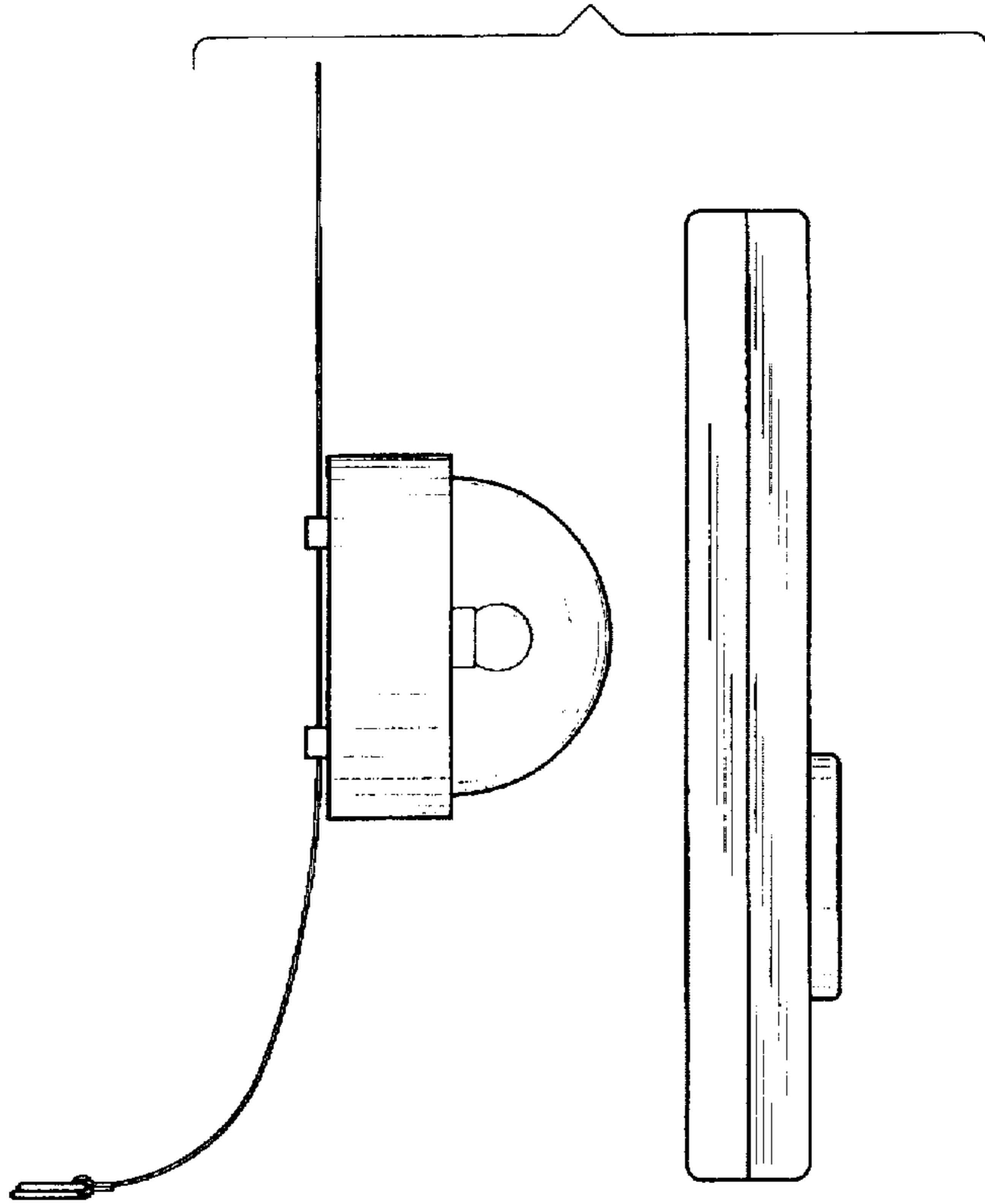


FIG. 4

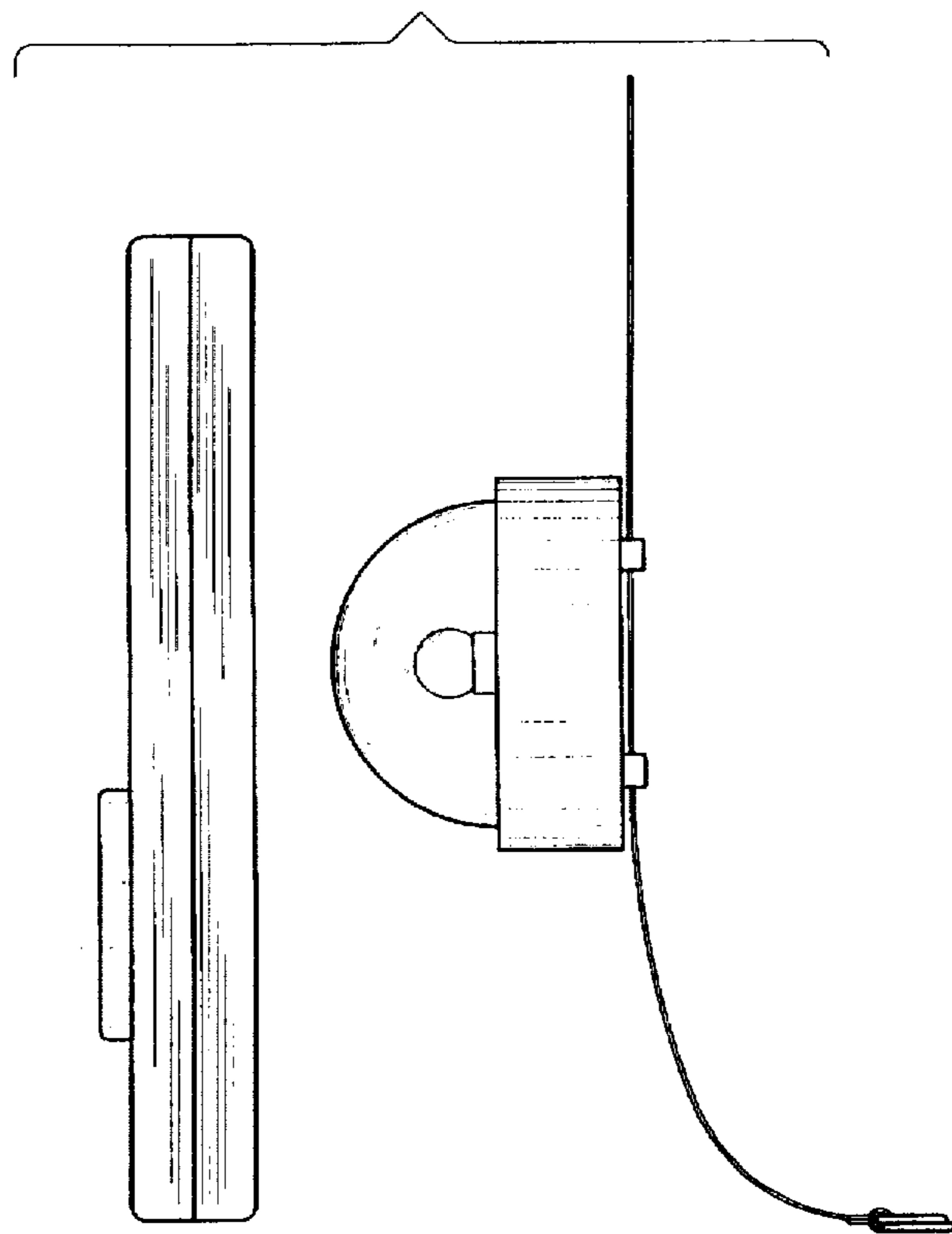


FIG. 5

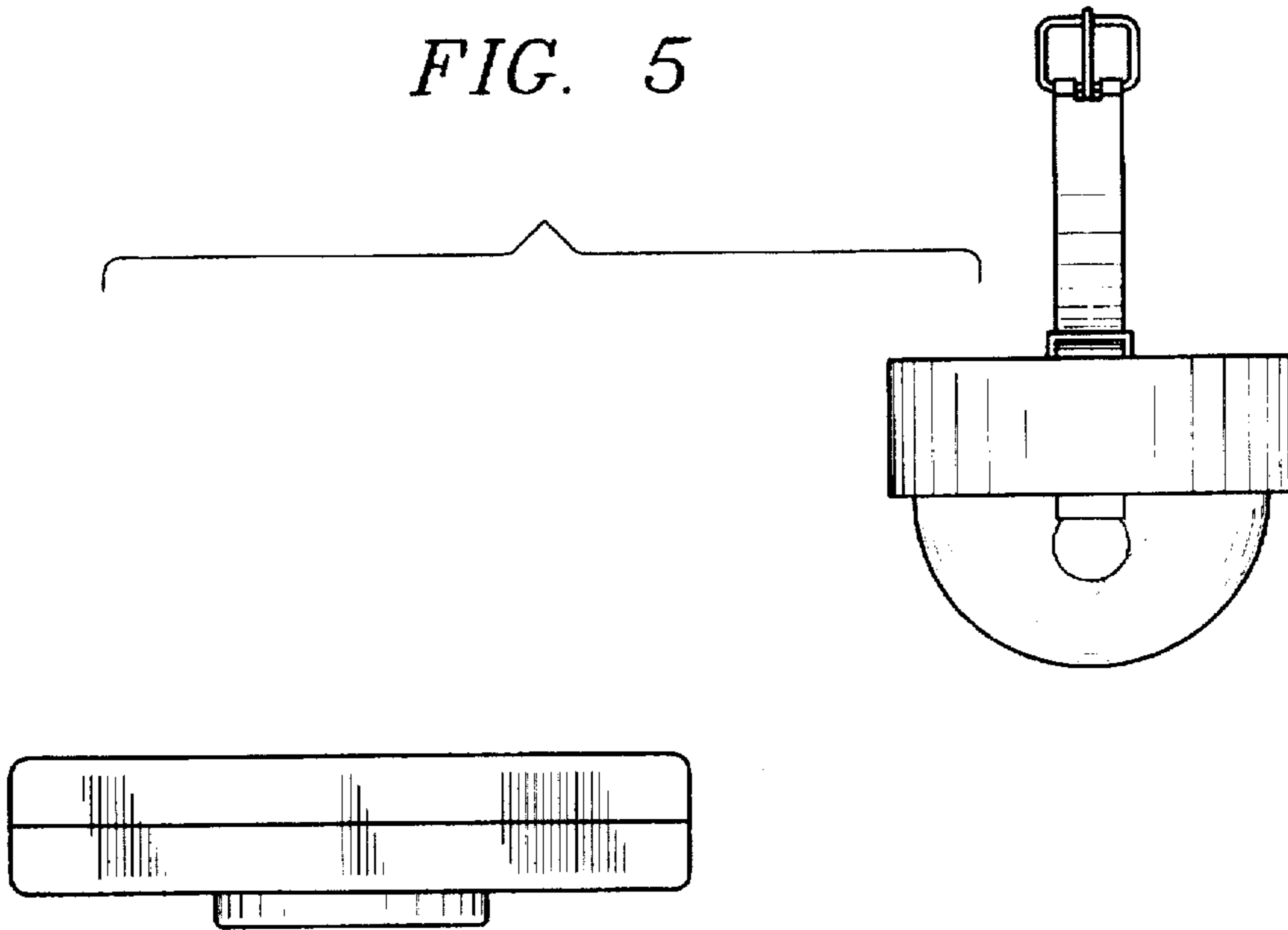


FIG. 6

