

US00D385501S

United States Patent [19]

[11] Patent Number: **Des. 385,501**

Wang

[45] Date of Patent: ****Oct. 28, 1997**

[54] **GOLF CLUB HEAD SURVEYING INSTRUMENT**

4,928,397	5/1990	Wang	33/508
5,105,550	4/1992	Shenoha	33/508
5,421,098	6/1995	Muldoon	33/508

[76] Inventor: **Kuen-Yi Wang**, No. 18, Hsih-Kuang Rd., Hsih-Chih Tsun, Wan-Luan Hsiang, Pingtung Hsien, Taiwan

Primary Examiner—Antoine Duval Davis
Attorney, Agent, or Firm—Varndell Legal Group

[**] Term: **14 Years**

[57] **CLAIM**

[21] Appl. No.: **57,576**

The ornamental design for a golf club head surveying instrument, as shown and described.

[22] Filed: **Jul. 29, 1996**

DESCRIPTION

[51] LOC (6) Cl. **10-04**

[52] U.S. Cl. **D10/80**

[58] Field of Search D10/46, 59, 65; D21/234; 33/282, 283, 334, 374, 508

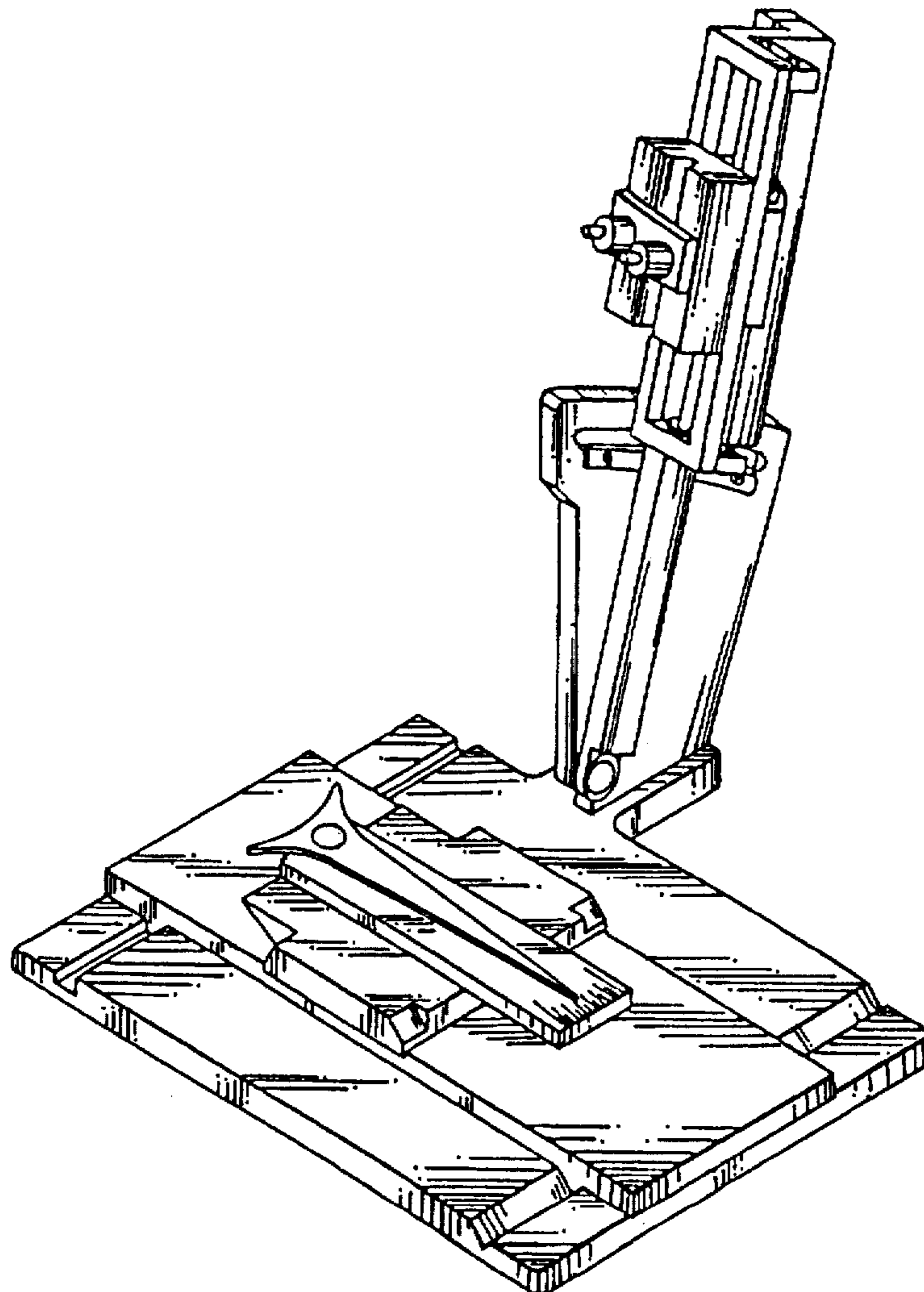
FIG. 1 is a perspective view a of golf club head surveying instrument showing my new design thereof; FIG. 2 is a front elevational view thereof; FIG. 3 is a rear elevational view thereof; FIG. 4 is a left side elevational view thereof; FIG. 5 is a right side elevational view thereof; FIG. 6 is a top plan view thereof; and, FIG. 7 is a bottom plan view thereof.

[56] **References Cited**

U.S. PATENT DOCUMENTS

D. 373,089	8/1996	Wang et al.	D10/65
4,817,294	4/1989	Lai	33/508

1 Claim, 7 Drawing Sheets



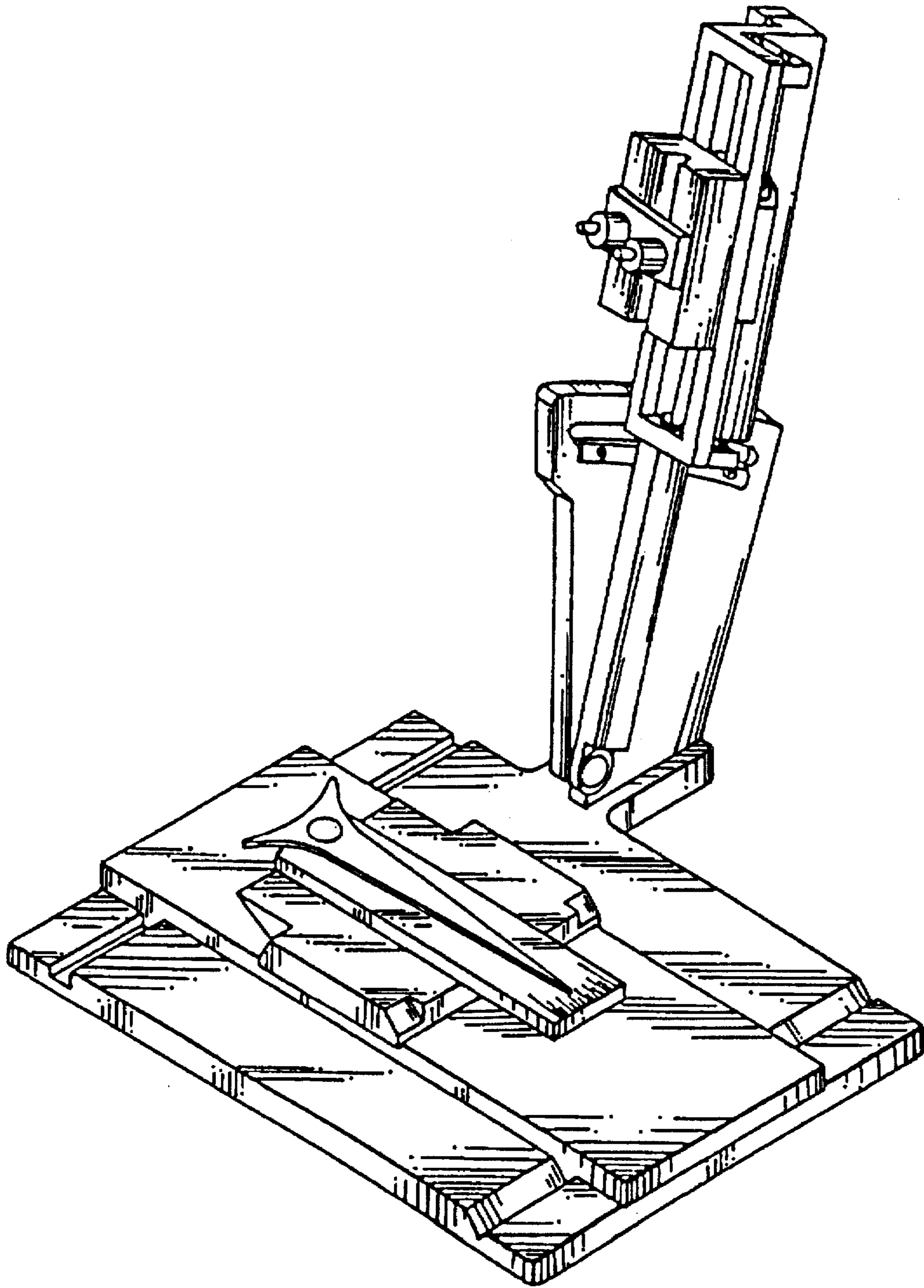


FIG. 1

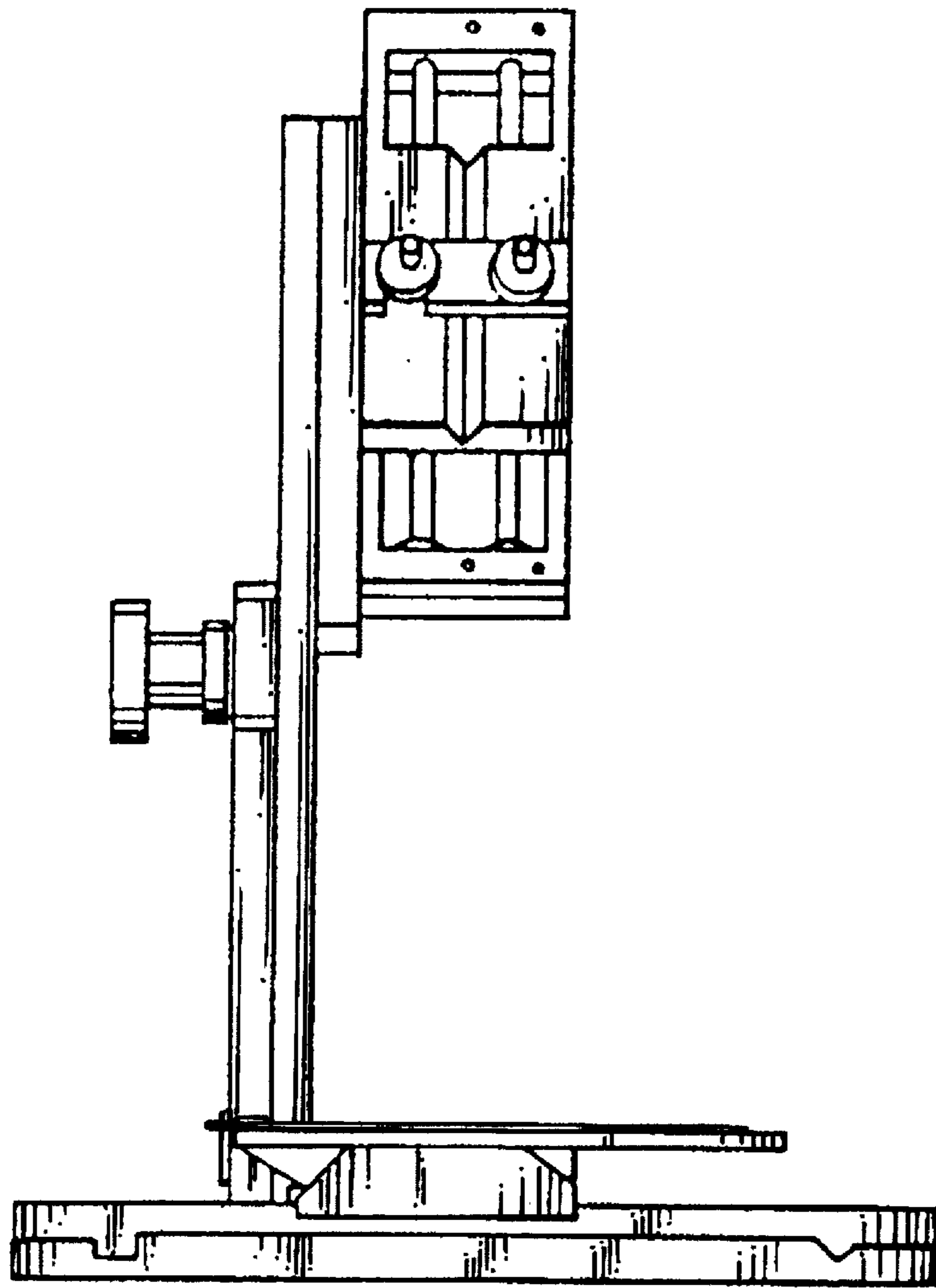


FIG. 2

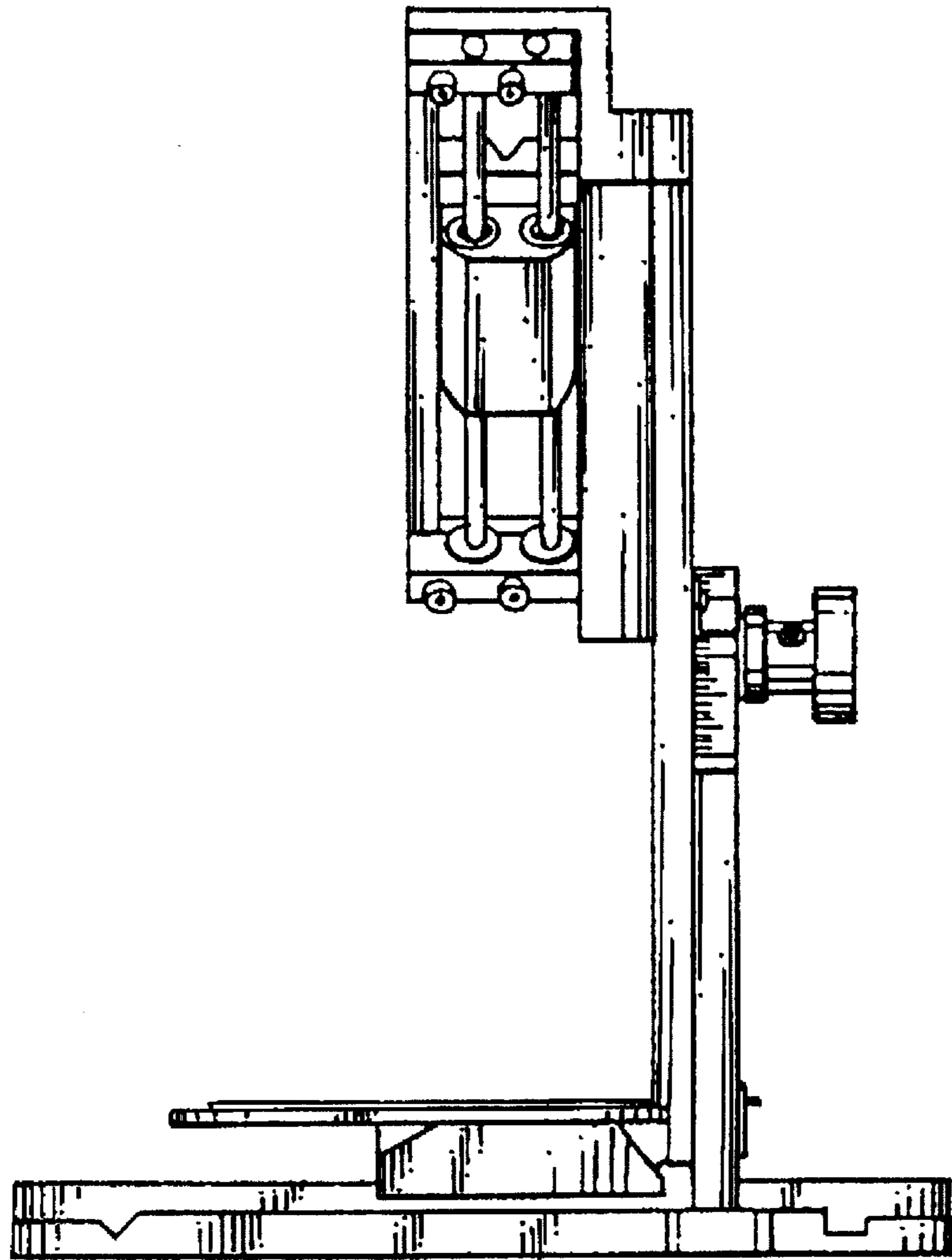


FIG. 3

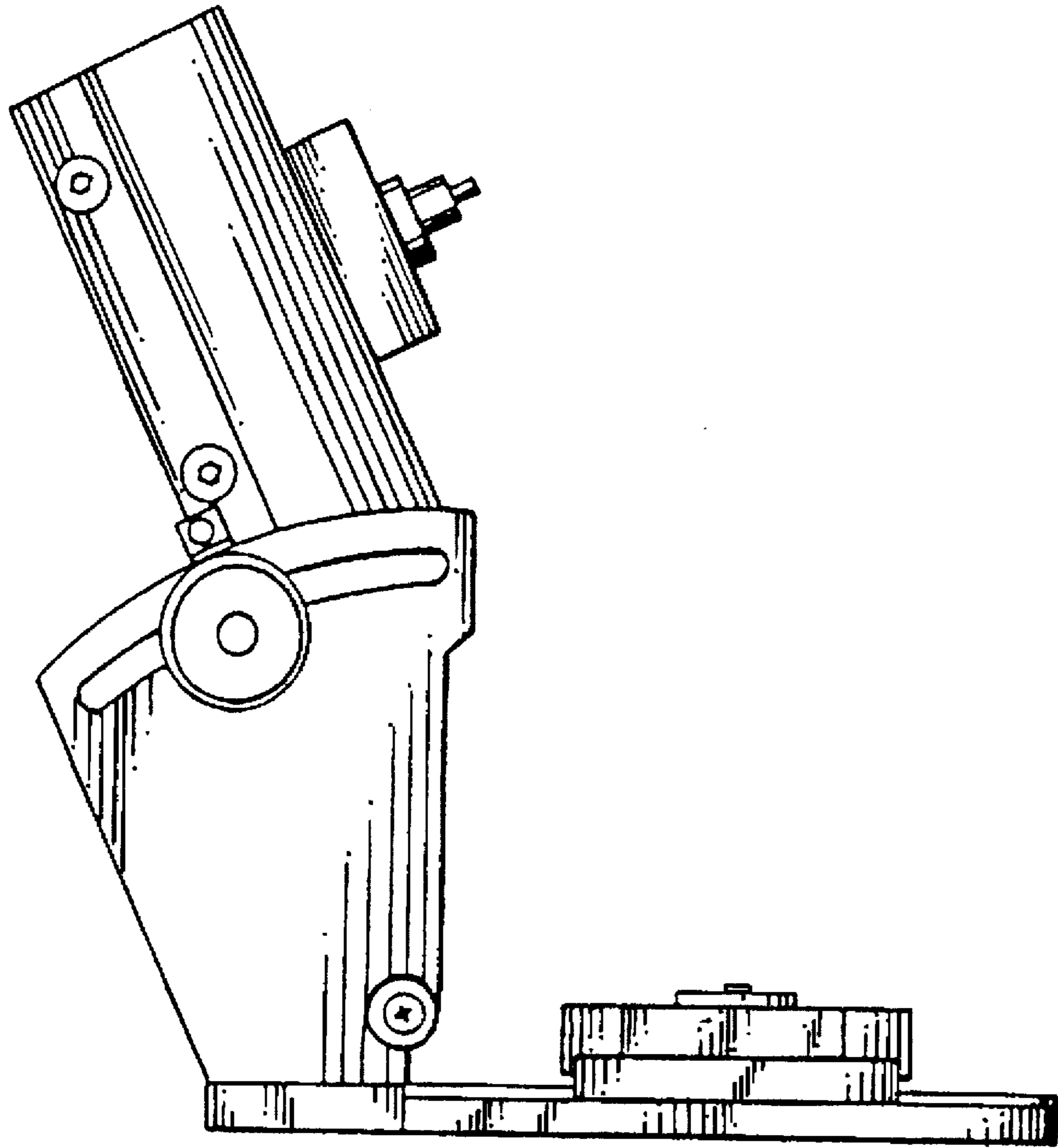


FIG. 4

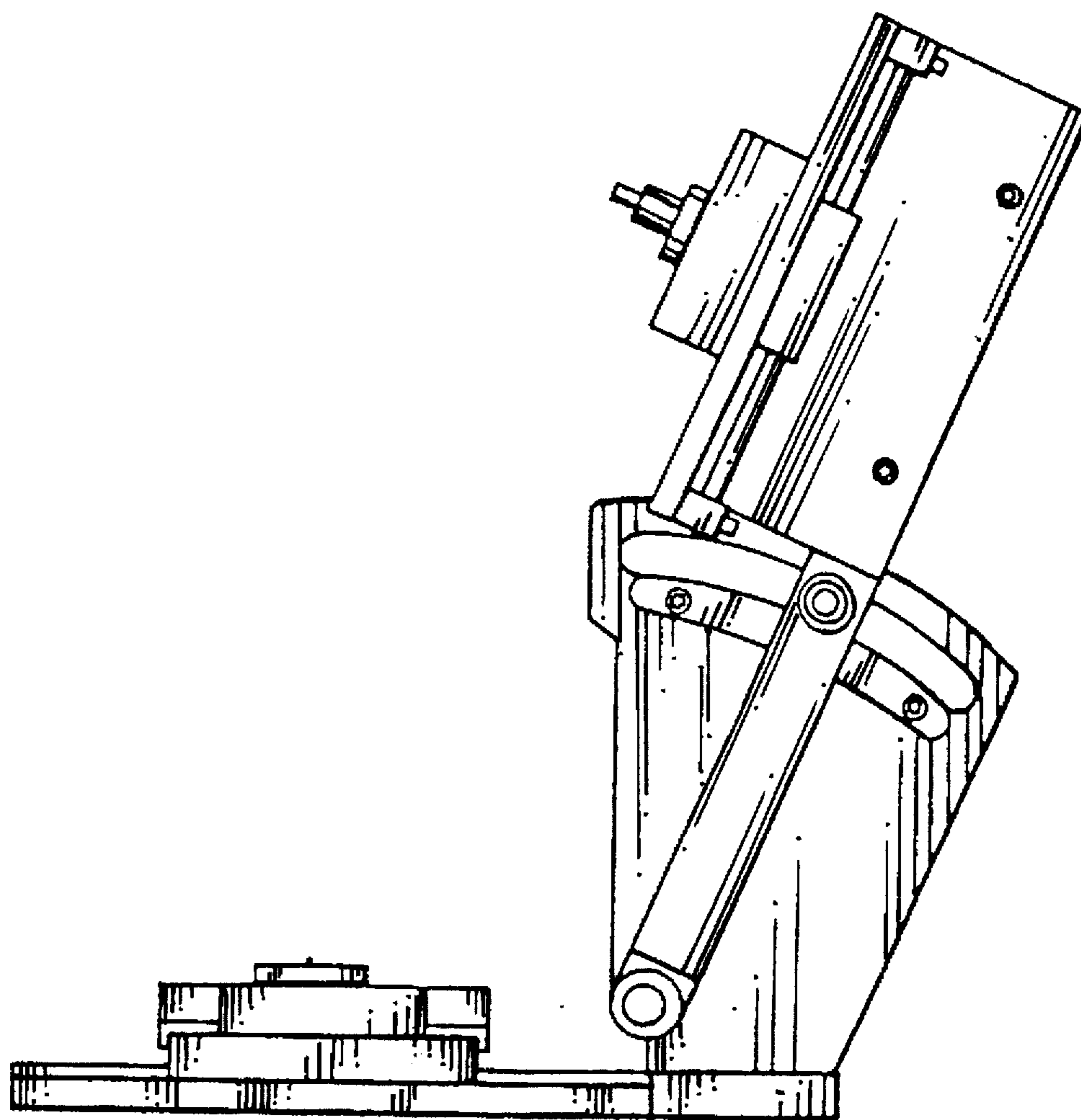


FIG. 5

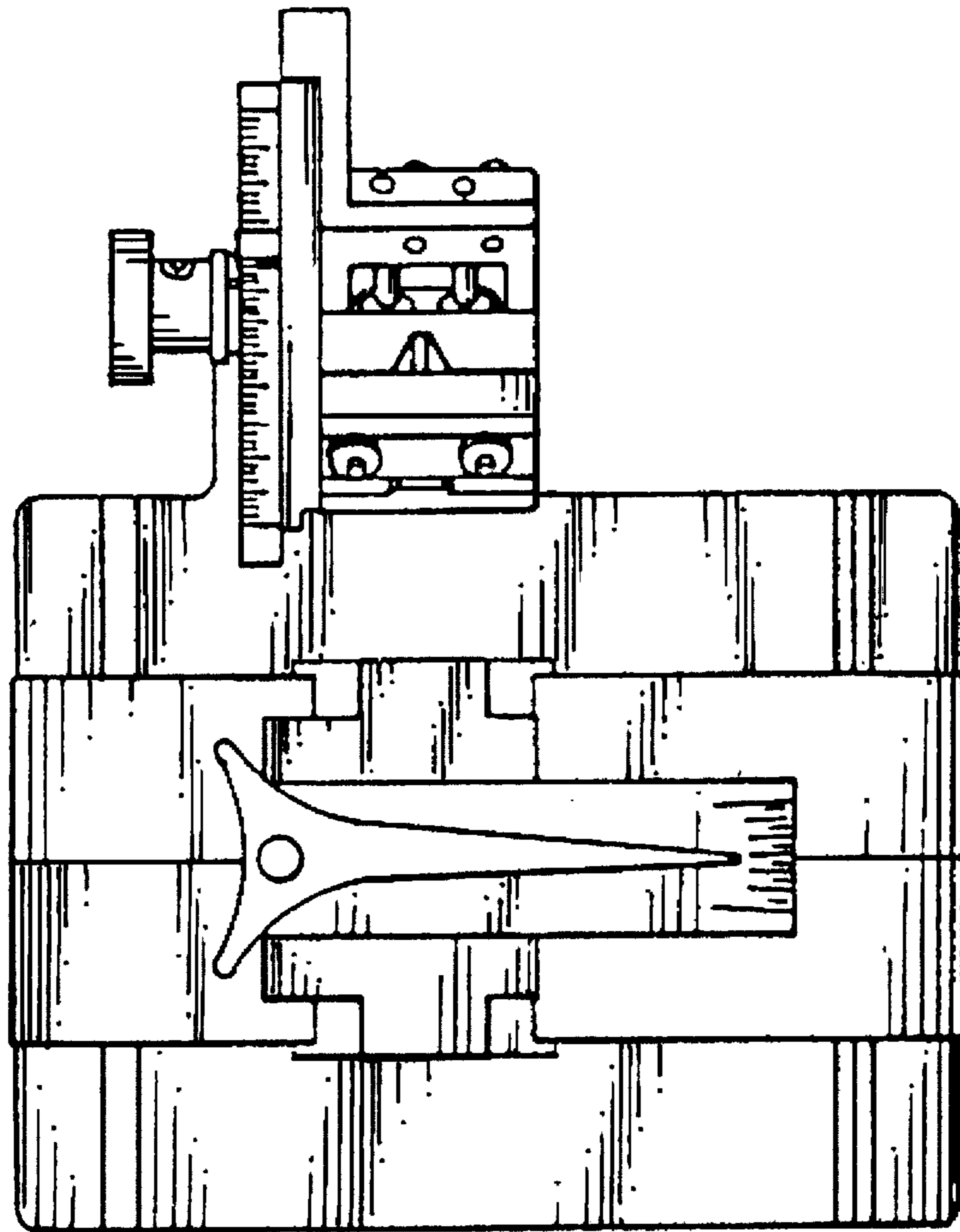


FIG. 6

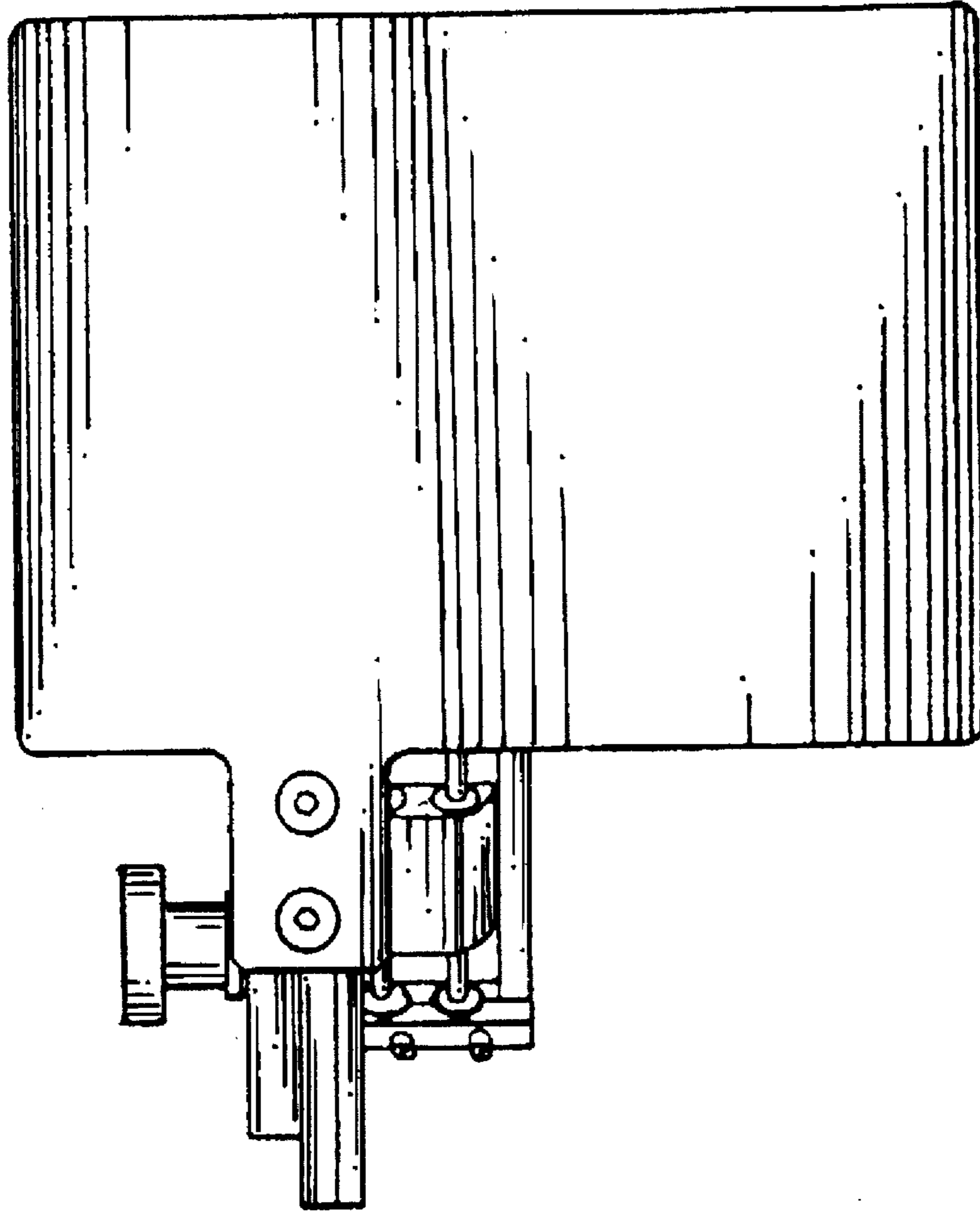


FIG. 7