



US00D385492S

United States Patent [19]

[11] Patent Number: Des. 385,492

Foster et al.

[45] Date of Patent: **Oct. 28, 1997

[54] TRIGGER SPRAYER HOUSING

5,398,846 3/1995 Corba et al. .

5,472,119 12/1995 Park et al. .

[75] Inventors: Donald D. Foster, St. Charles; Martin S. Laffey, O'Fallon, both of Mo.

5,507,418 4/1996 Dobbs et al. .

5,542,581 8/1996 Habora et al. 222/383.1 X

[73] Assignee: Contico International, Inc., St. Louis, Mo.

Primary Examiner—James Gandy

Assistant Examiner—Cathron B. Matta

Attorney, Agent, or Firm—Howell & Haferkamp, L.C.

[**] Term: 14 Years

[57] CLAIM

[21] Appl. No.: 57,669

The ornamental design for a trigger sprayer housing, as shown and described.

[22] Filed: Jul. 25, 1996

DESCRIPTION

[51] LOC (6) Cl. 09-07

[52] U.S. Cl. D9/448

[58] Field of Search D9/434, 448; D23/213, D23/223, 226; 222/383.1; 239/548, 550

FIG. 1 is a perspective view of a trigger sprayer housing showing our new design, other portions of a trigger sprayer and container are shown to provide an environment for the trigger sprayer housing but are in phantom because they do not form part of the design;

FIG. 2 is a left side elevational view of the trigger sprayer housing of FIG. 1, the right side elevational view being a mirror image thereof;

FIG. 3 is a front elevational view of the trigger sprayer housing of FIG. 1;

FIG. 4 is a rear elevational view of the trigger sprayer housing of FIG. 1;

FIG. 5 is a top plan view of the trigger sprayer housing of FIG. 1; and,

FIG. 6 is a bottom plan view of the trigger sprayer housing of FIG. 1.

[56] References Cited

U.S. PATENT DOCUMENTS

- D. 321,315 11/1991 Halm et al. .
- D. 332,652 1/1993 Foster et al. .
- D. 333,609 3/1993 Beaumont .
- D. 352,546 11/1994 Silvenis et al. .
- D. 358,198 5/1995 Wadsworth D9/448 X
- D. 373,312 9/1996 Lin D9/448
- 4,971,227 11/1990 Knickerbocker et al. .
- 5,108,524 4/1992 Balderrama .
- 5,152,436 10/1992 Maas et al. .
- 5,172,836 12/1992 Warner .
- 5,337,921 8/1994 Wilson et al. .

1 Claim, 2 Drawing Sheets

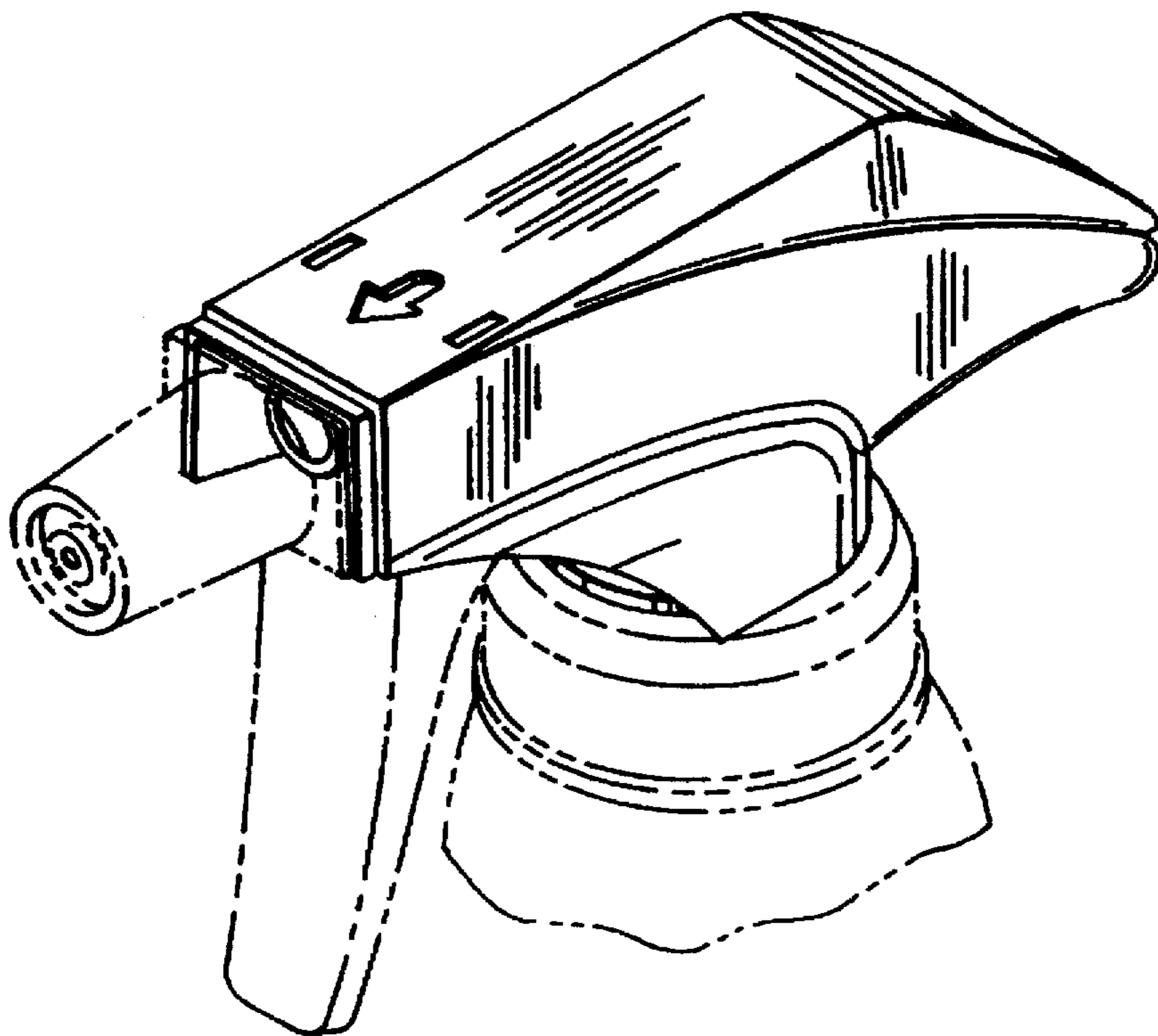


FIG. 1

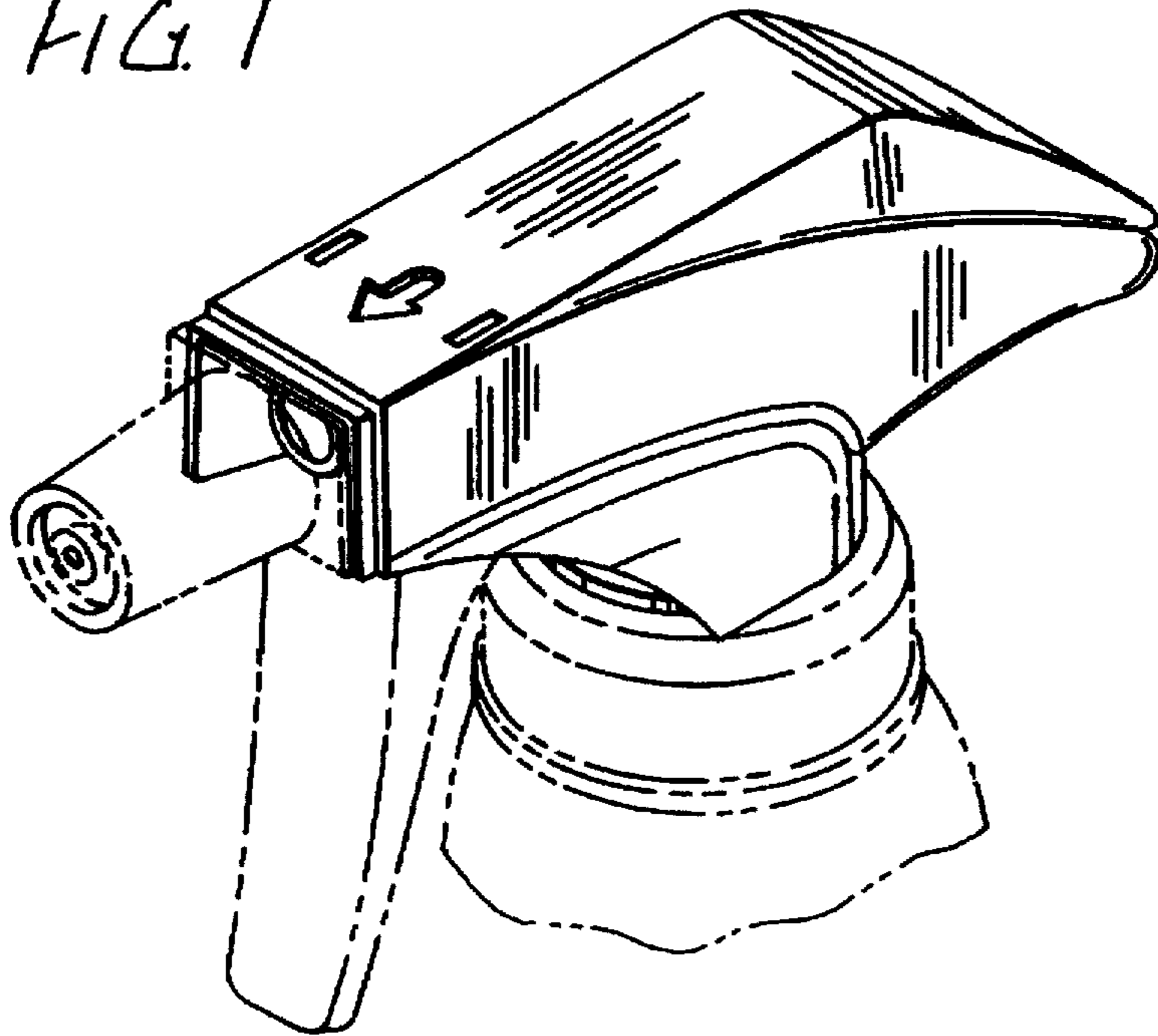


FIG. 2

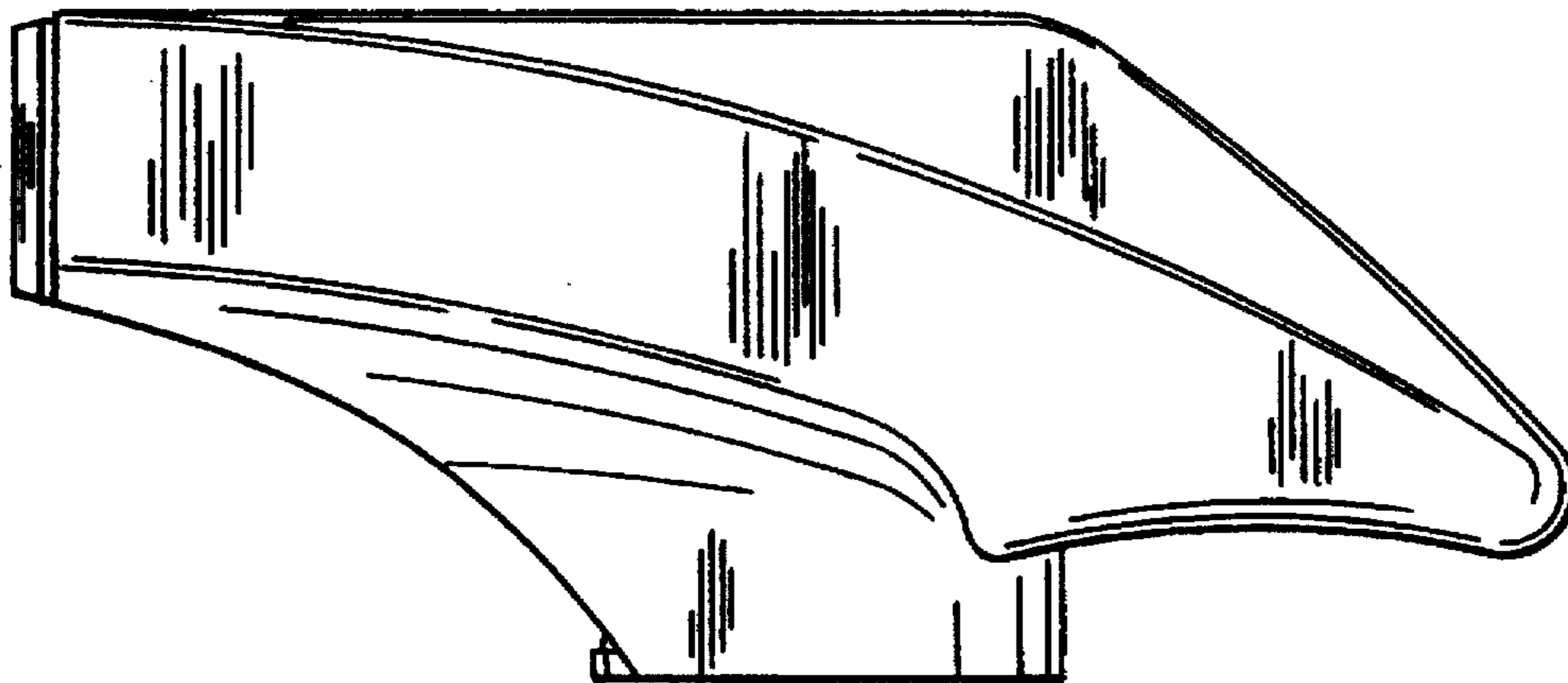


FIG. 3

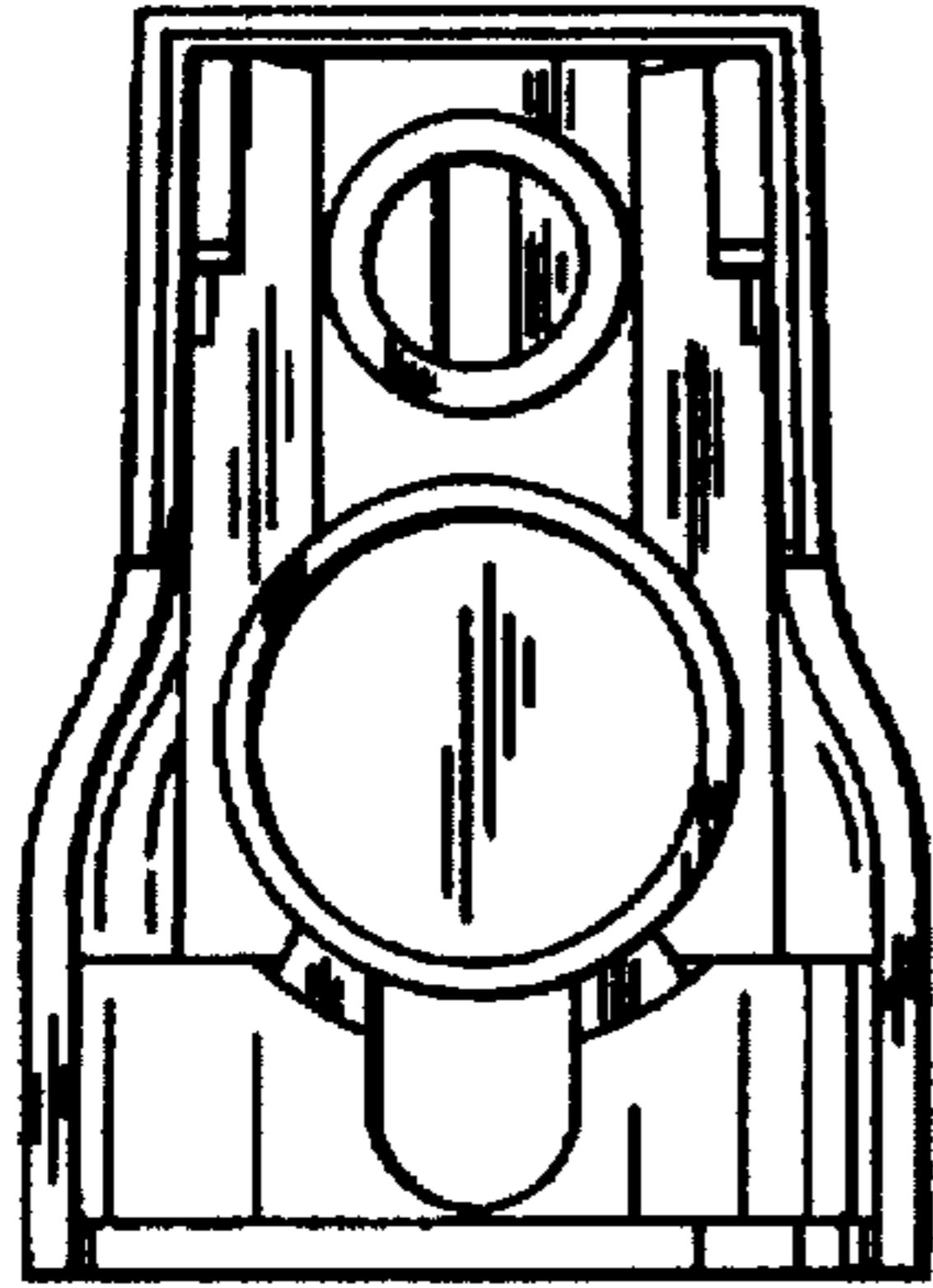


FIG. 4

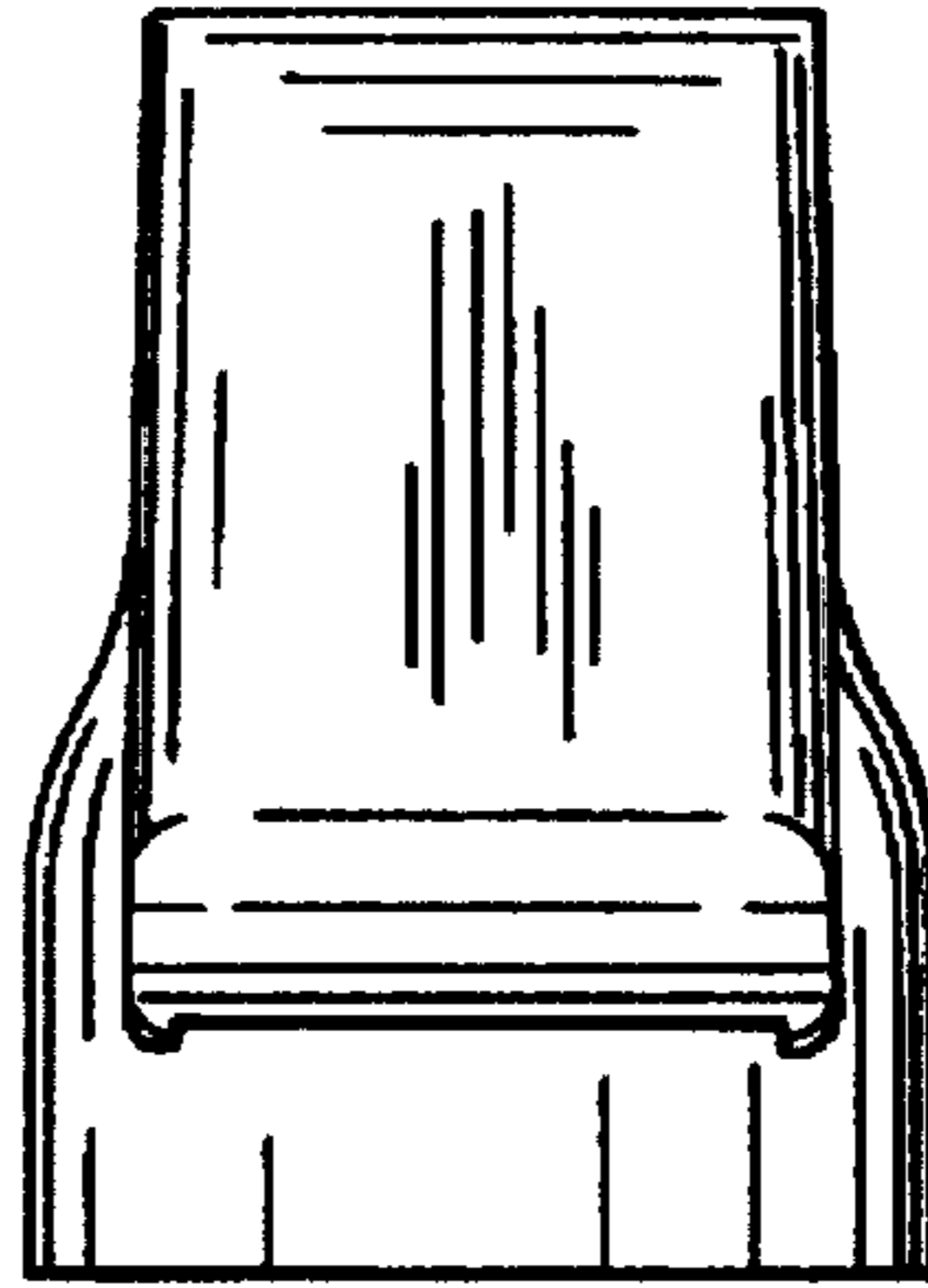


FIG. 5

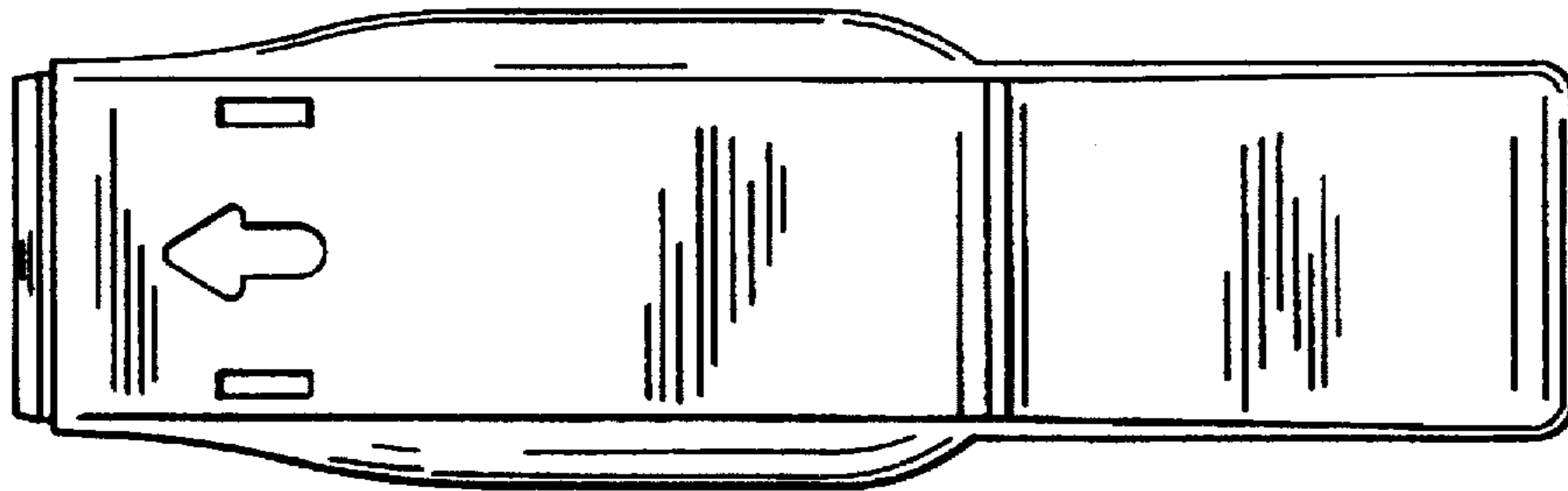


FIG. 6

