



US00D385485S

United States Patent [19] Brandes

[11] Patent Number: Des. 385,485

[45] Date of Patent: **Oct. 28, 1997

[54] CORNER PROTECTOR

4,883,179 11/1989 Dionne 206/453 X
5,447,233 9/1995 Smith 248/345.1 X

[75] Inventor: Michael J. Brandes, Jasper, Ind.

FOREIGN PATENT DOCUMENTS

[73] Assignee: The Servants, Inc., Jasper, Ind.

2668458 4/1992 France 206/586
2827846 9/1979 Germany 206/586

[**] Term: 14 Years

Primary Examiner—Catherine Tuttle
Attorney, Agent, or Firm—Middleton & Reutlinger; David W. Carrithers

[21] Appl. No.: 57,390

[22] Filed: Jul. 24, 1996

[51] LOC (6) Cl. 08-09

[52] U.S. Cl. D8/403

[58] Field of Search D8/403; D9/456,
D9/434, 499; 248/345.1; 206/320-322,
326, 453, 454, 523, 524, 586; 40/730, 739,
746, 752, 761, 764, 778, 782-785, 790;
D6/300, 301

[57] CLAIM

The ornamental design for a corner protector, as shown and described.

DESCRIPTION

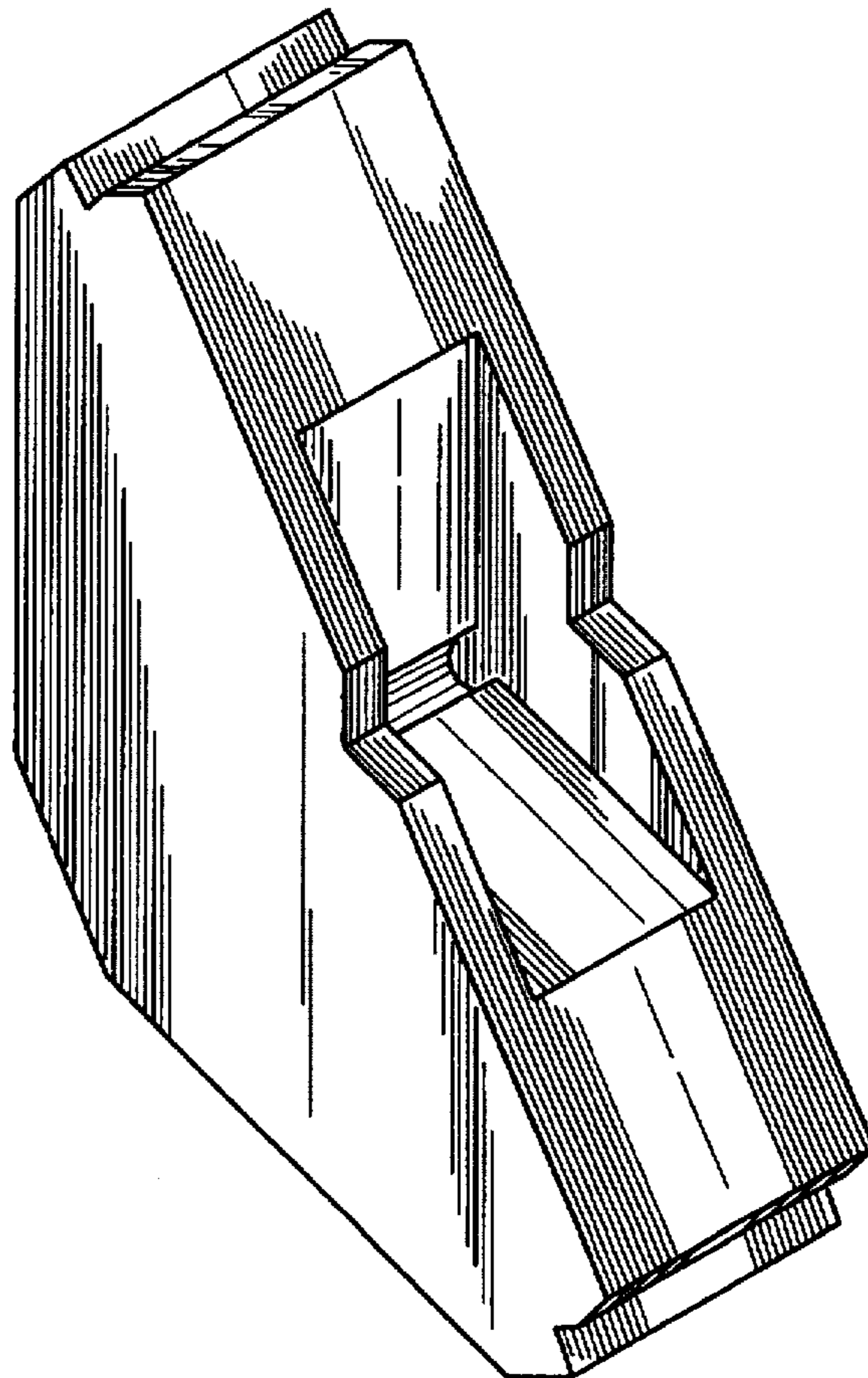
FIG. 1 is a front perspective view of my design for a corner protector;
FIG. 2 is an rear elevational view thereof;
FIG. 3 is a front elevational view thereof;
FIG. 4 is a top plan view thereof;
FIG. 5 is an elevational left side view, the opposite side being a mirror image thereof; and,
FIG. 6 is a bottom plan view thereof.
The undisclosed portions inside the front slot follow the contours of the surfaces shown.

[56] References Cited

U.S. PATENT DOCUMENTS

D. 260,590 9/1981 Hobson D8/403
D. 301,953 7/1989 Evenson D6/300 X
1,976,607 10/1934 Engel 40/778
2,471,545 5/1949 Rosenberg et al. 40/784
4,000,843 1/1977 Sorenson et al. 206/320 X
4,877,673 10/1989 Eckel et al. 206/586 X

1 Claim, 2 Drawing Sheets



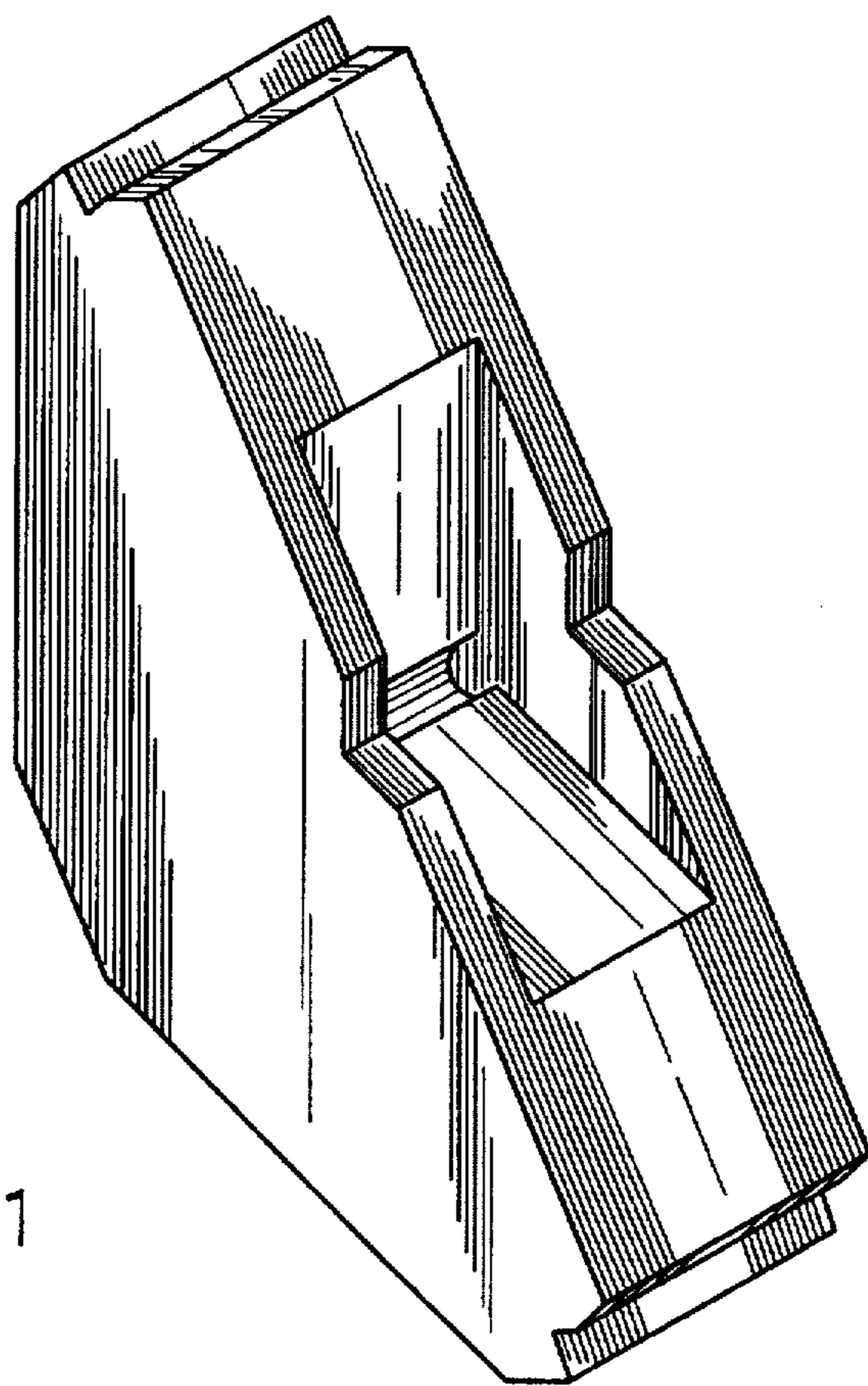


FIG. 1

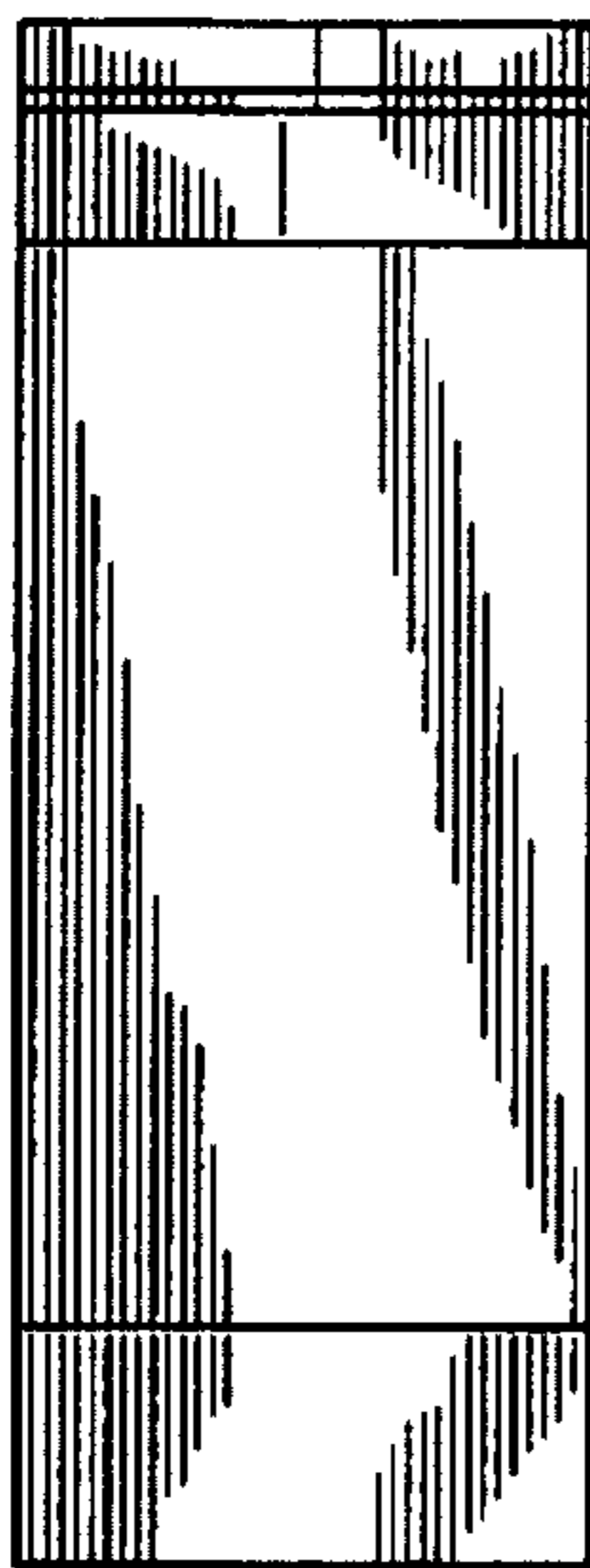


FIG. 2

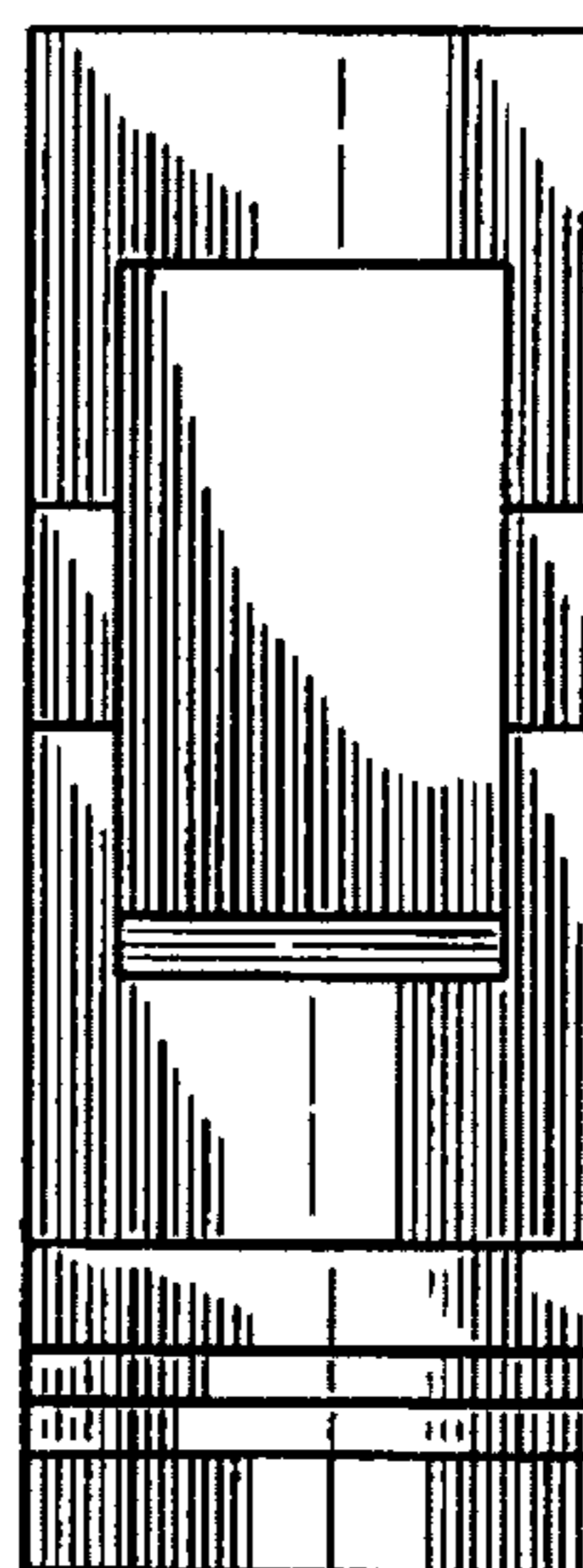


FIG. 3

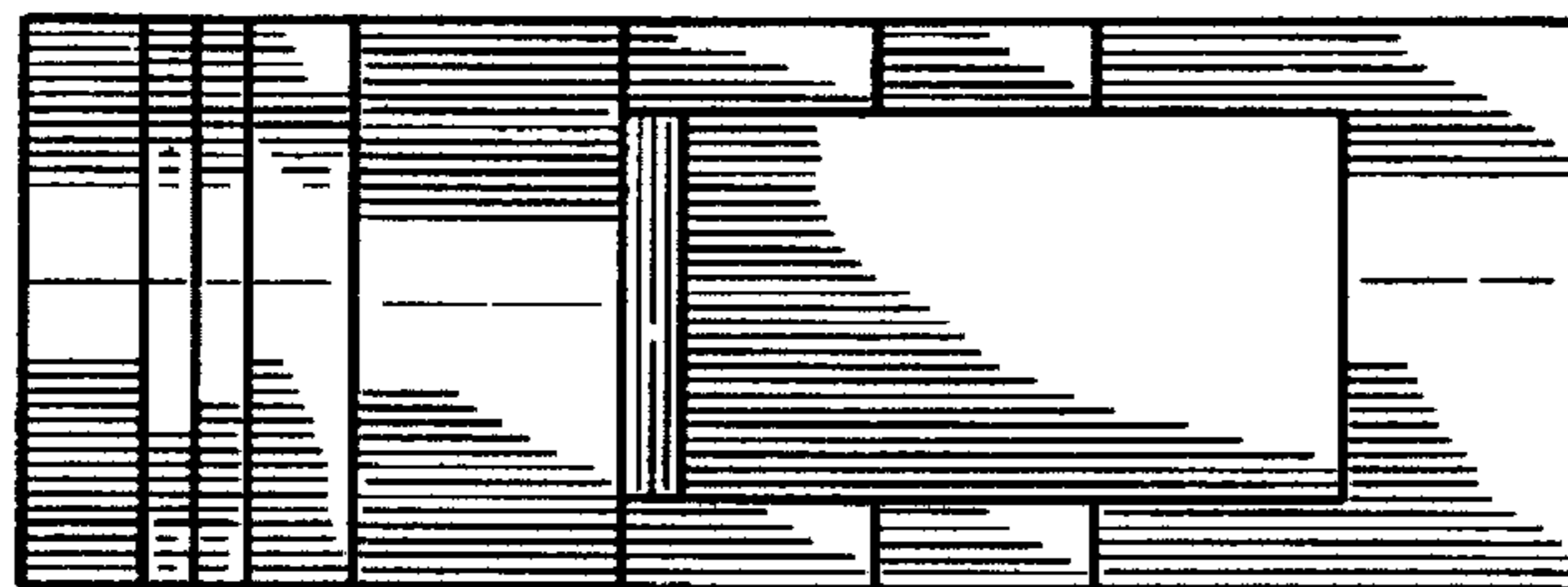


FIG. 4

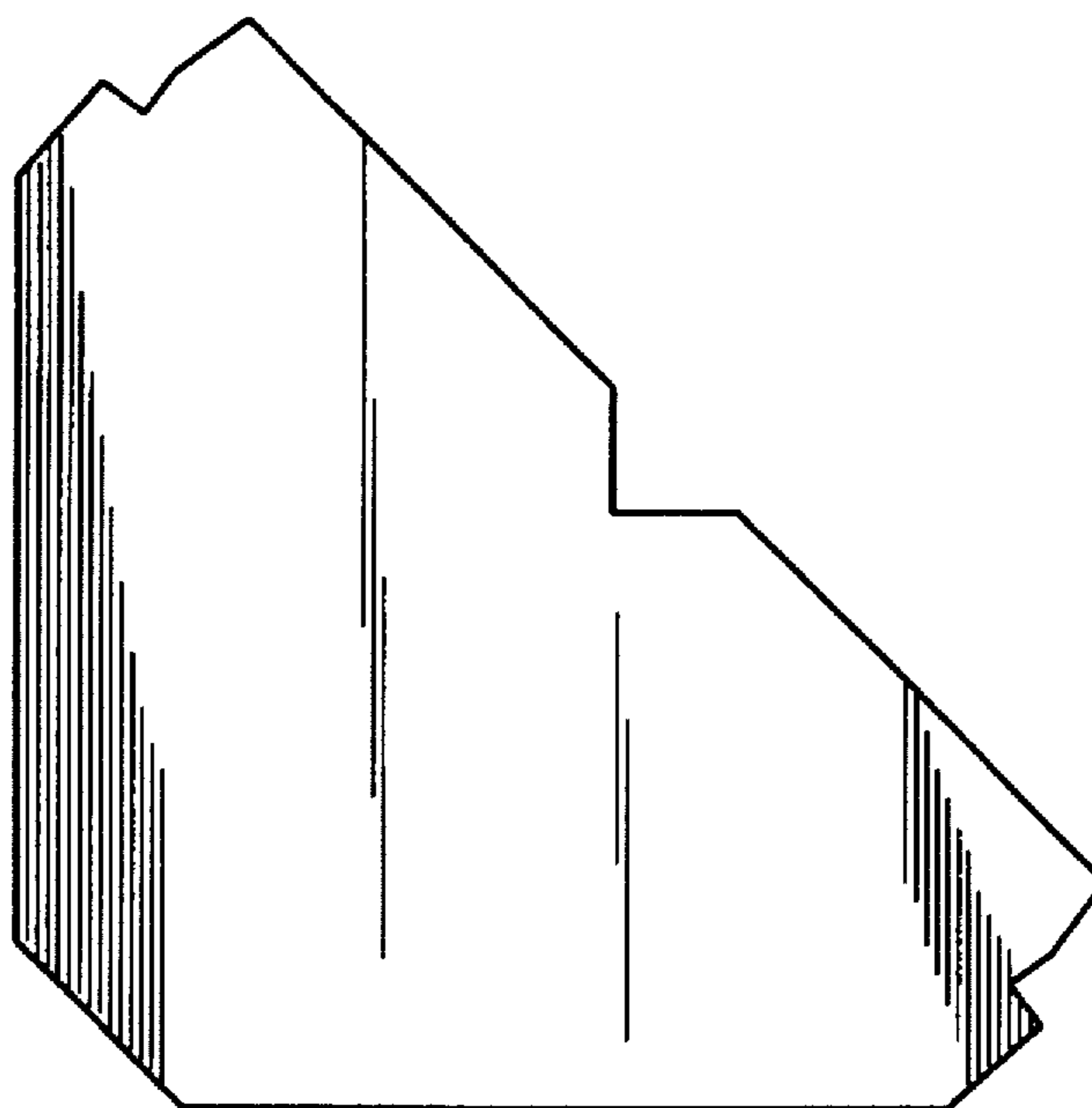


FIG. 5

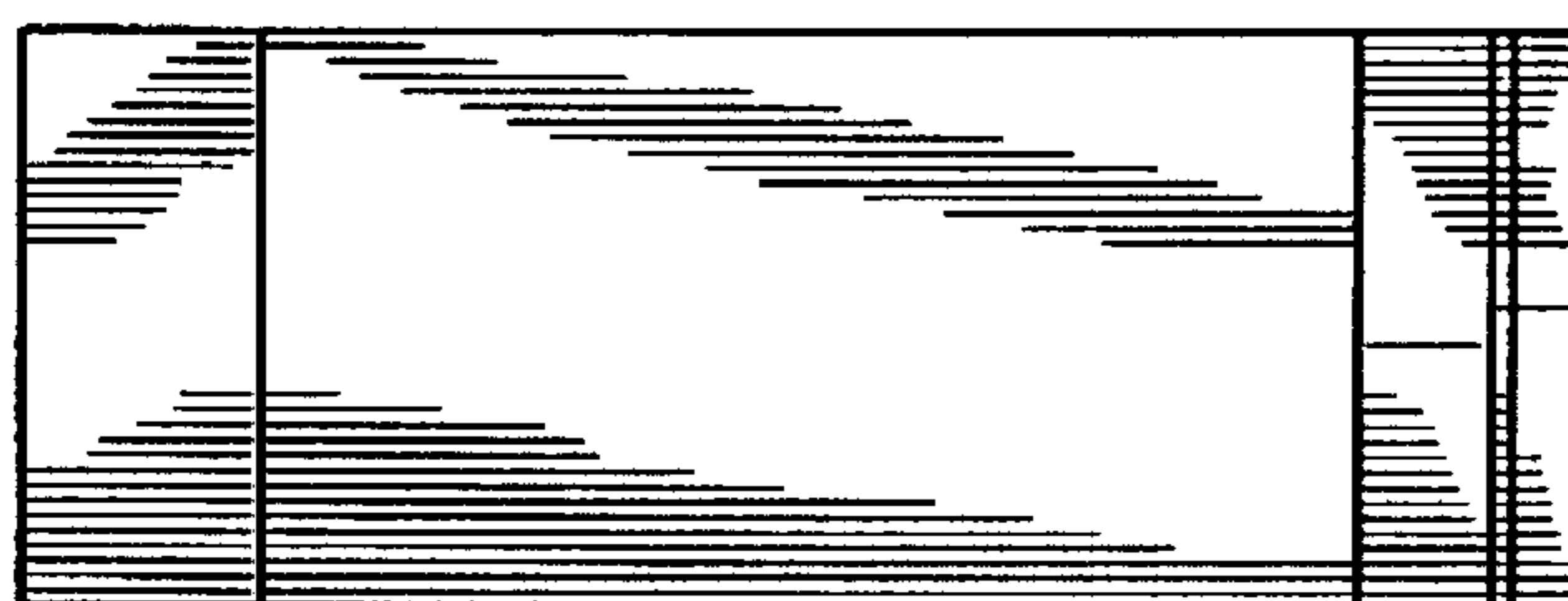


FIG. 6