

US00D385483S

United States Patent [19]

Robinson et al.

[11] Patent Number: **Des. 385,483**

[45] Date of Patent: ****Oct. 28, 1997**

[54] **BASE CABINET TOE KICK PLATE**

[75] Inventors: **Michael V. Robinson; Thomas W. Alkire**, both of Capon Bridge, W. Va.

[73] Assignee: **American Woodmark Corporation**, Winchester, Va.

[**] Term: **14 Years**

[21] Appl. No.: **46,008**

[22] Filed: **Nov. 6, 1995**

[51] LOC (6) Cl. **08-08**

[52] U.S. Cl. **D8/382**

[58] Field of Search D8/300, 301, 380, D8/382; 24/304; 211/94, 105.1; 403/205, 230, 403; 248/58, 68.1, 250; D26/140; D25/125

[56] **References Cited**

U.S. PATENT DOCUMENTS

| | | | | |
|------------|---------|---------------|-------|-----------|
| D. 246,949 | 1/1978 | Davis | | D8/300 |
| D. 253,031 | 10/1979 | Gidseg | | D8/301 |
| D. 258,262 | 2/1981 | Sharon | | D8/300 X |
| D. 283,295 | 4/1986 | Bancroft | | D8/300 |
| D. 283,296 | 4/1986 | Bancroft | | D8/300 |
| D. 283,297 | 4/1986 | Bancroft | | D8/300 |
| D. 286,195 | 10/1986 | Bancroft | | D25/125 |
| D. 318,343 | 7/1991 | Miller et al. | | D26/140 |
| 2,705,566 | 4/1955 | Ford et al. | | 211/105.1 |
| 3,377,090 | 4/1968 | Keith et al. | | 403/205 |
| 3,478,997 | 11/1969 | Gross | | 211/94 X |

- 4,103,375 8/1978 Santo .
- 4,191,439 3/1980 Cohen .
- 4,383,397 5/1983 Ward .
- 4,436,343 3/1984 Schneider .
- 4,477,201 10/1984 Yoshiyuji .
- 4,712,942 12/1987 Brown .
- 4,973,187 11/1990 Sauder .
- 4,974,352 12/1990 Chen .

Primary Examiner—Paula A. Mortimer
Attorney, Agent, or Firm—Laubscher & Laubscher

[57] **CLAIM**

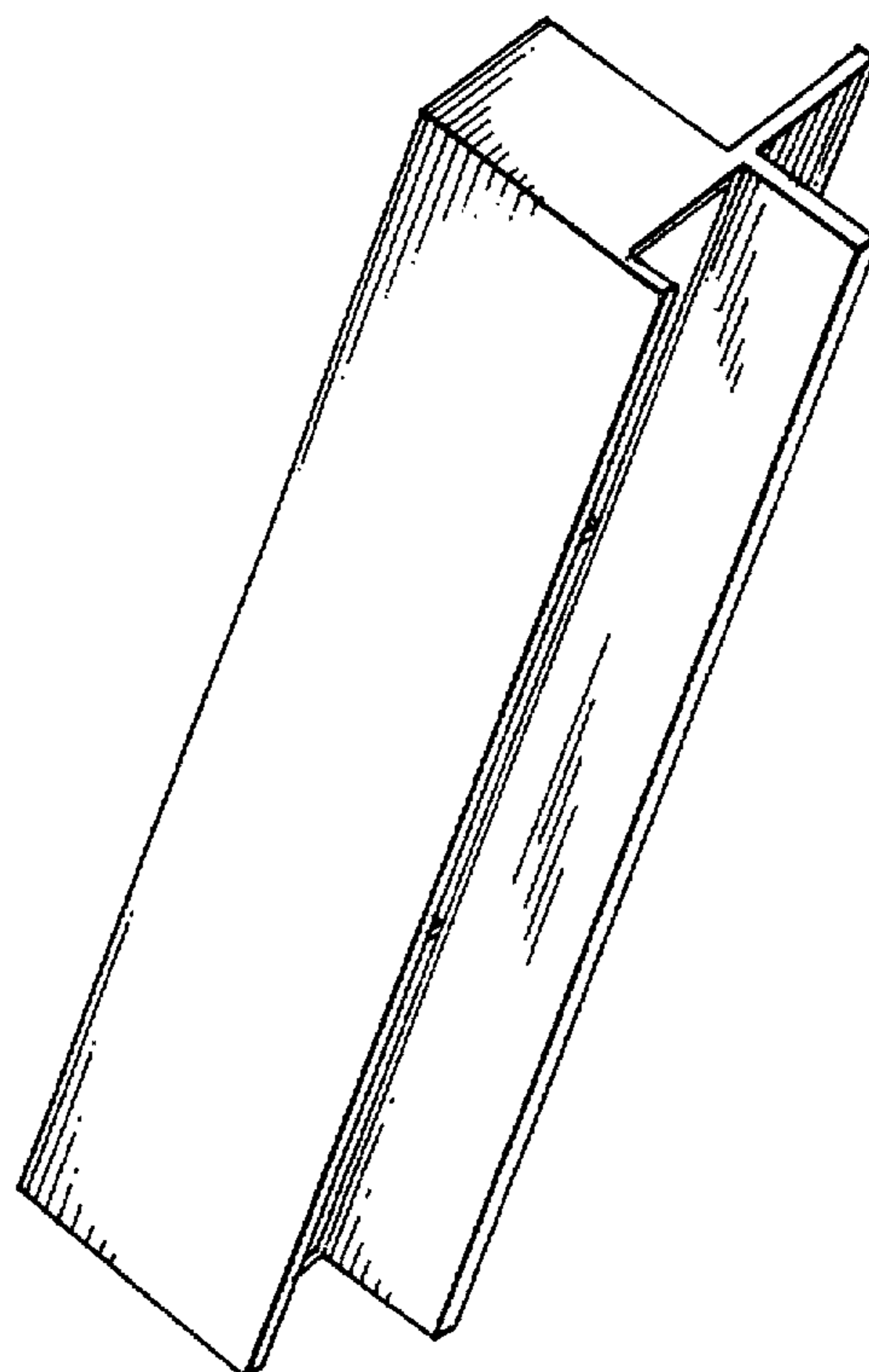
The ornamental design for a base cabinet toe kick plate, as shown.

DESCRIPTION

FIG. 1 is a perspective view of a base cabinet toe kick plate showing our new design, the broken line showing of the cabinet with the additional base cabinet toe kick plate is for illustrative purposes only and forms no part of the claimed design;

- FIG. 2 is a front view thereof;
- FIG. 3 is a top plan view;
- FIG. 4 is a right side elevational view thereof;
- FIG. 5 is a front elevational view thereof;
- FIG. 6 is a right side view thereof;
- FIG. 7 is a rear view of thereof;
- FIG. 8 is a left side view thereof;
- FIG. 9 is a top view thereof; and,
- FIG. 10 is a perspective view thereof.

1 Claim, 4 Drawing Sheets



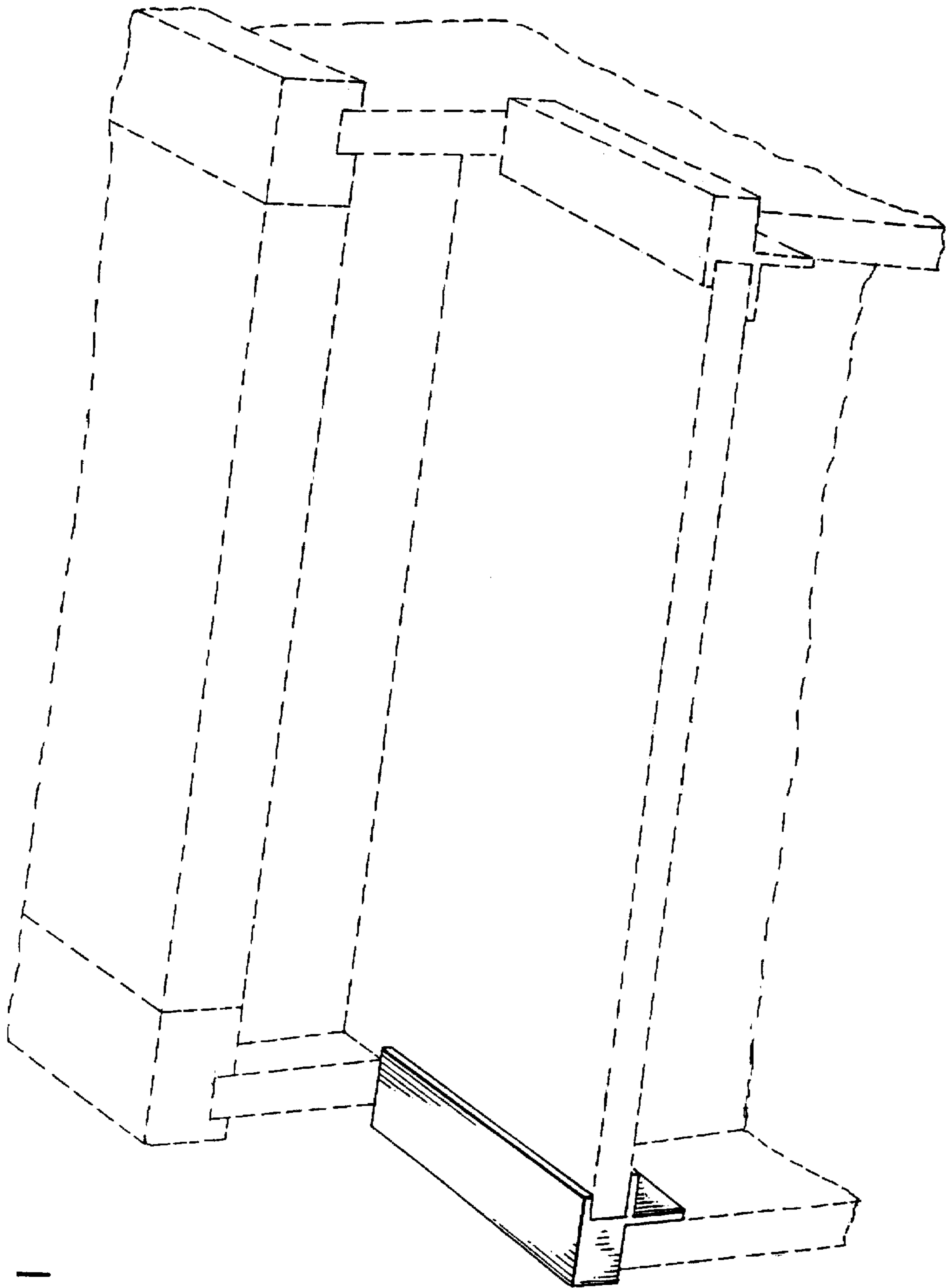


FIG. 1

FIG. 2

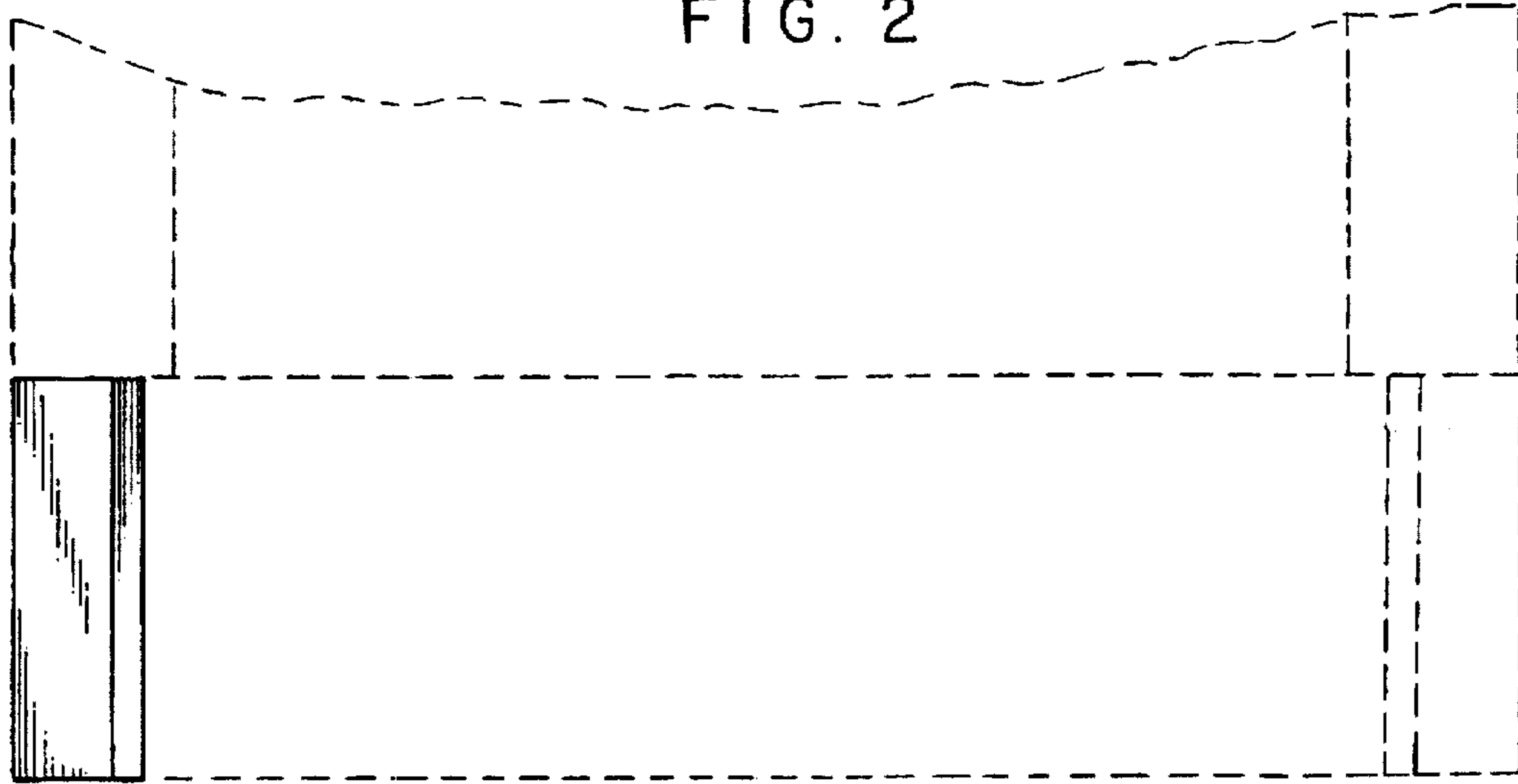
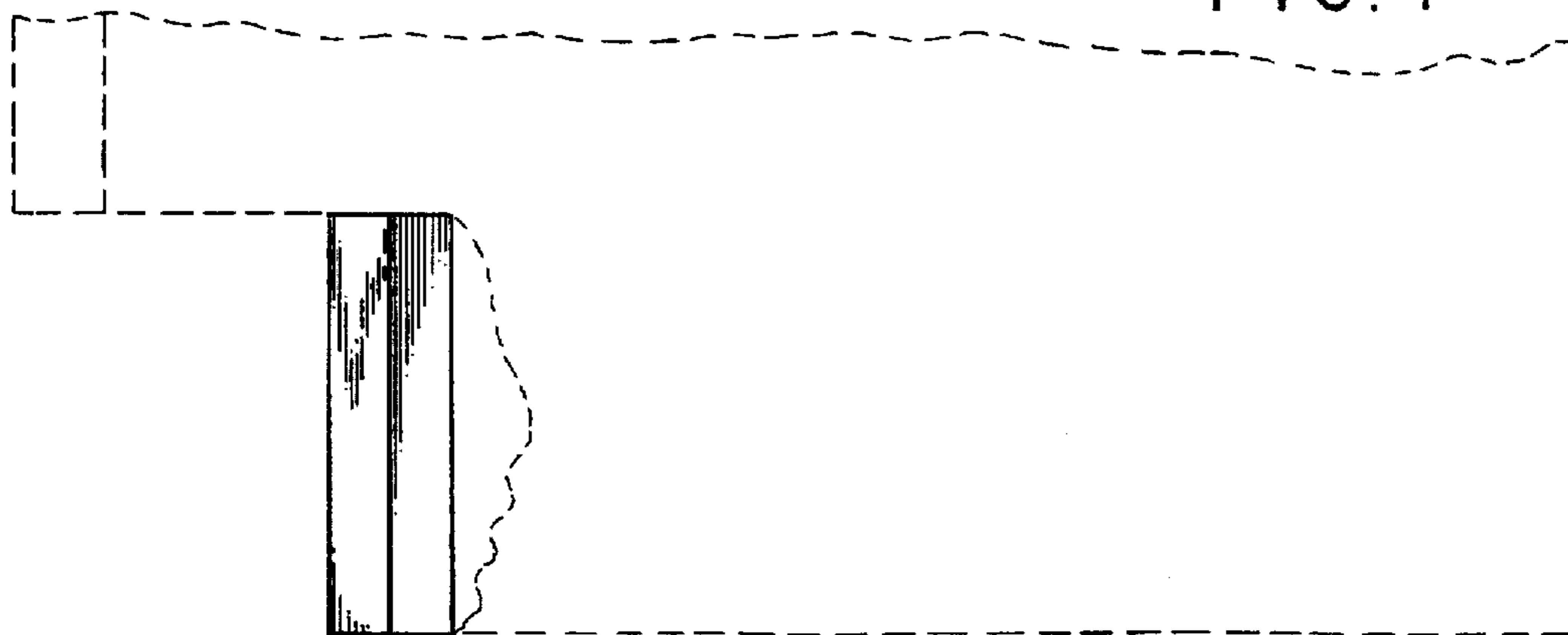


FIG. 3



FIG. 4



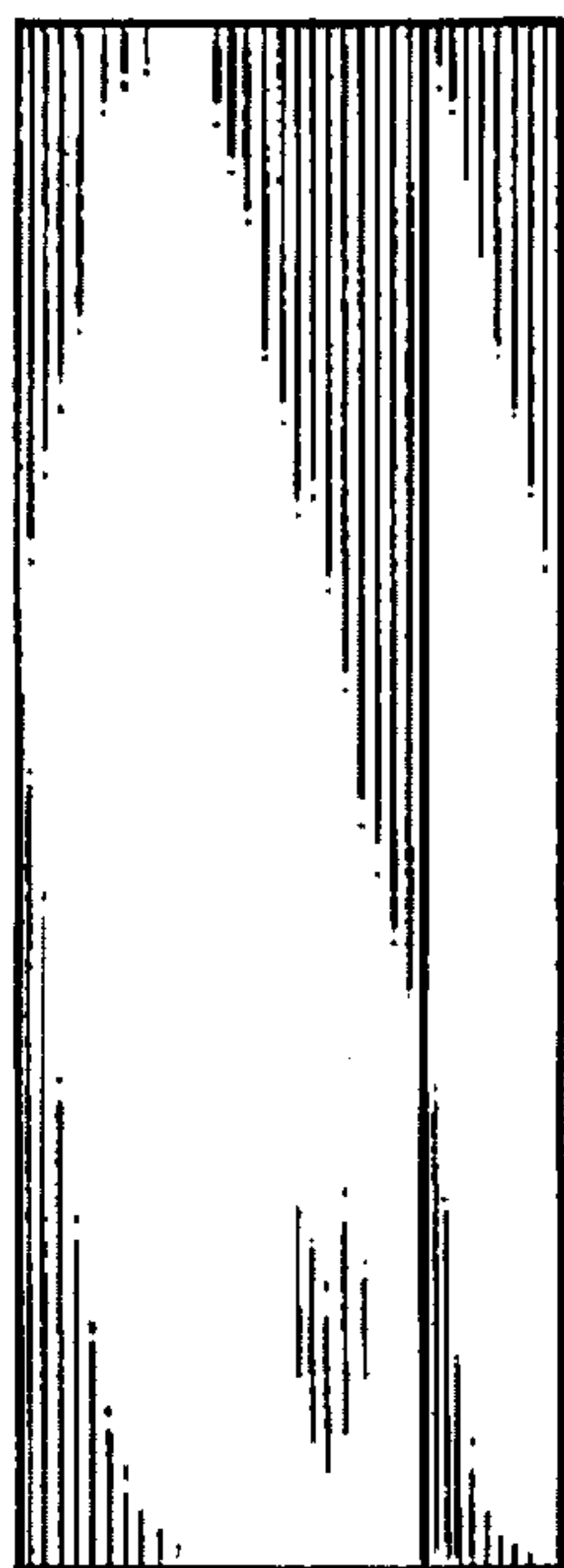


FIG. 5

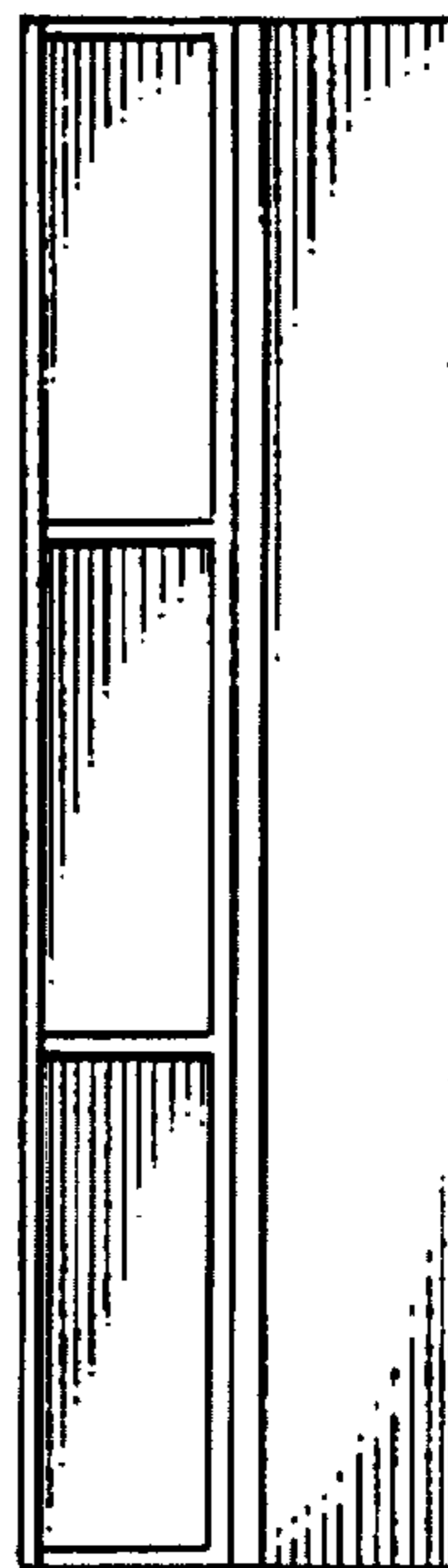


FIG. 6

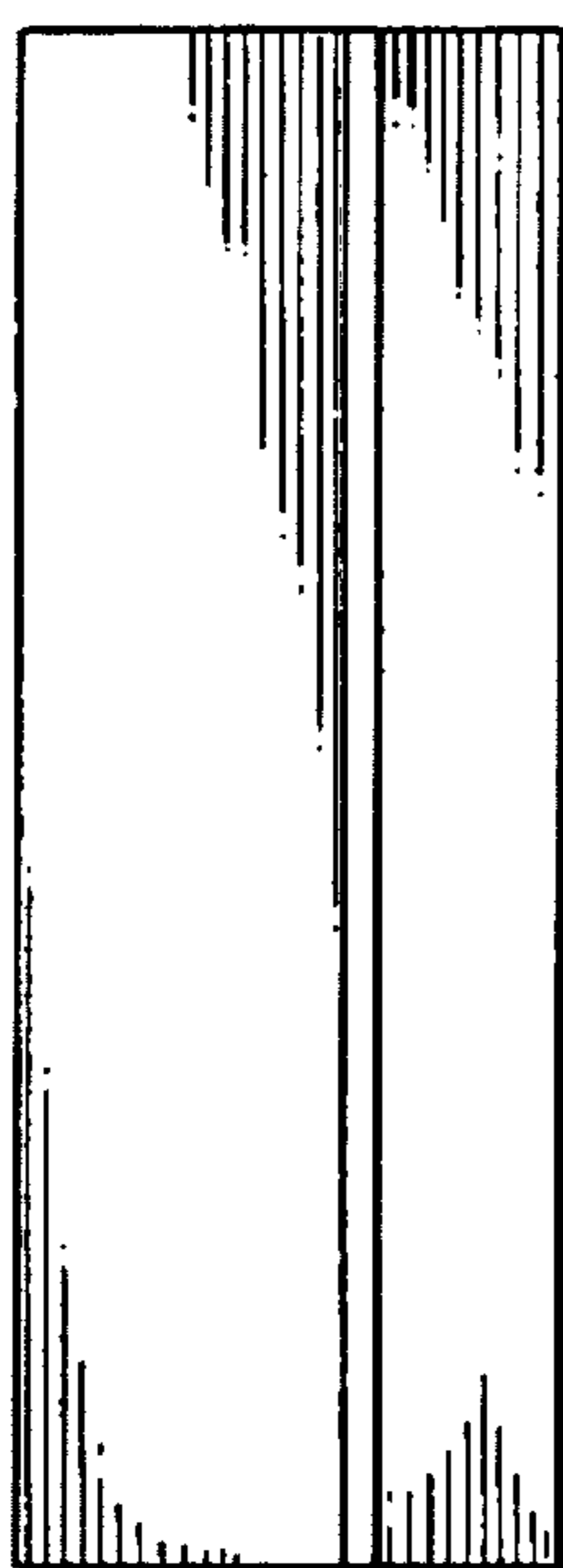


FIG. 7

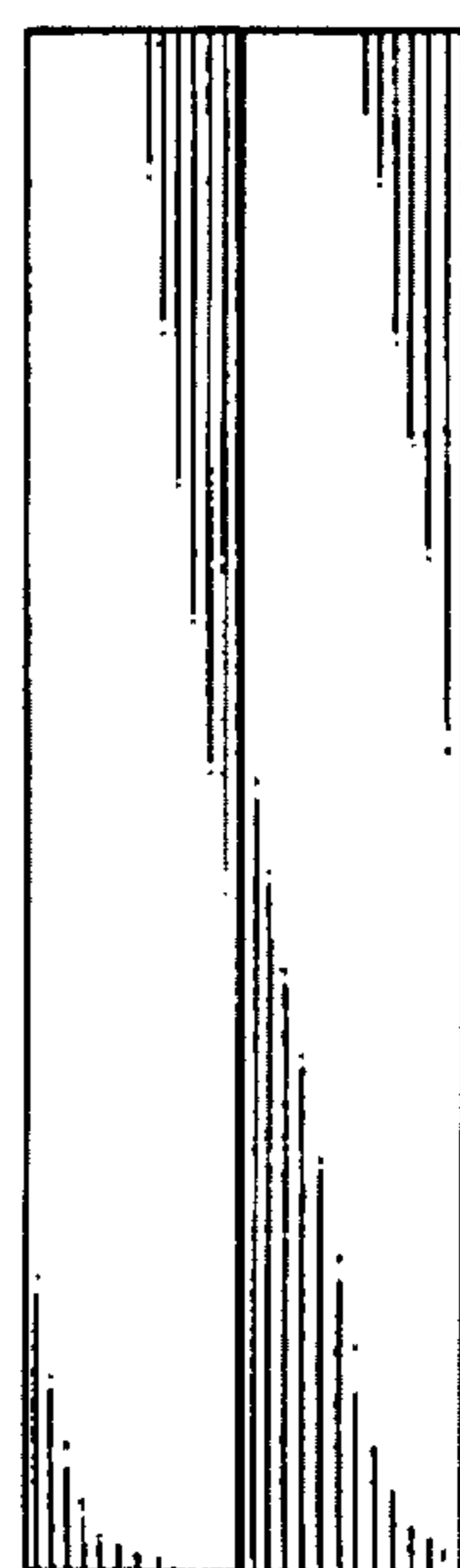


FIG. 8

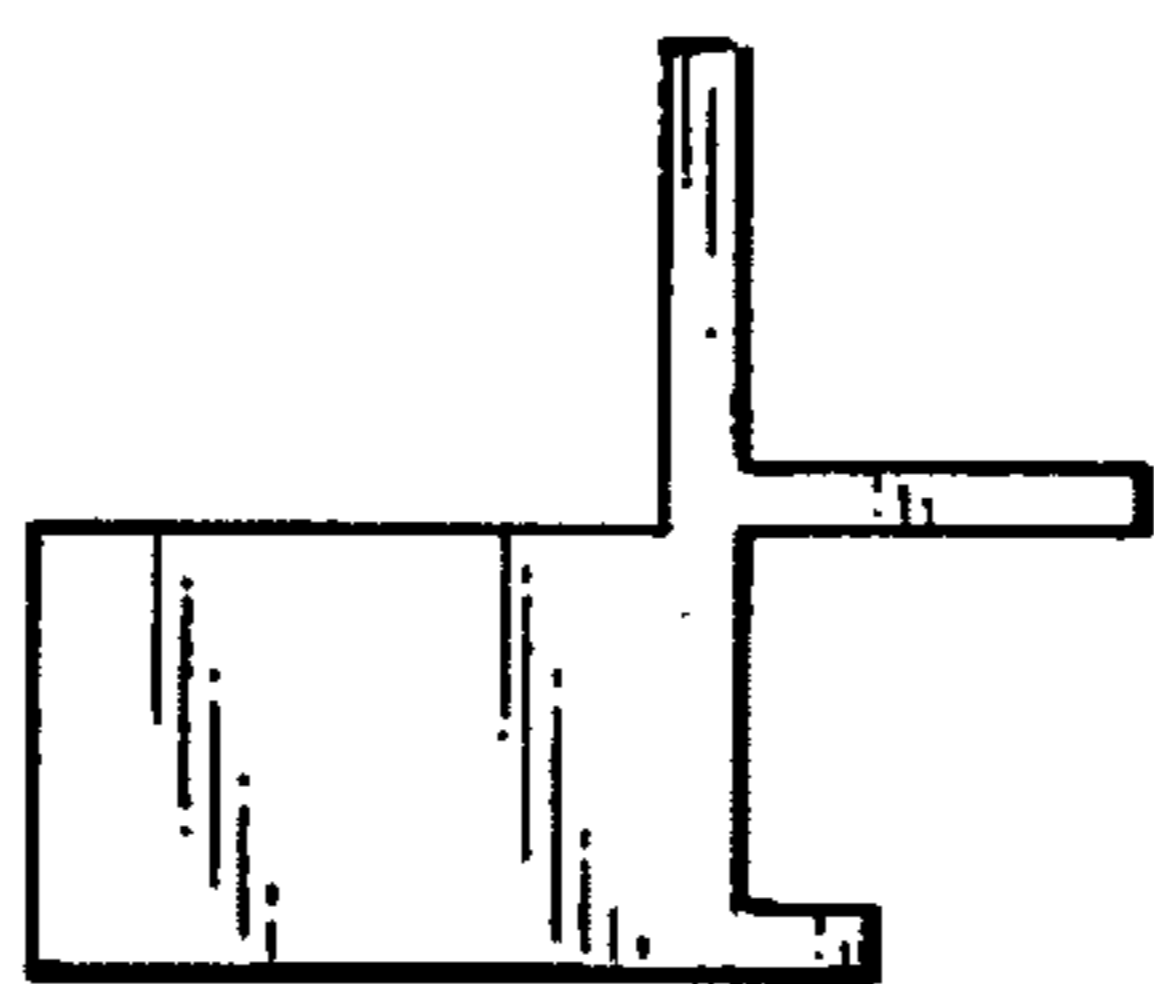


FIG. 9

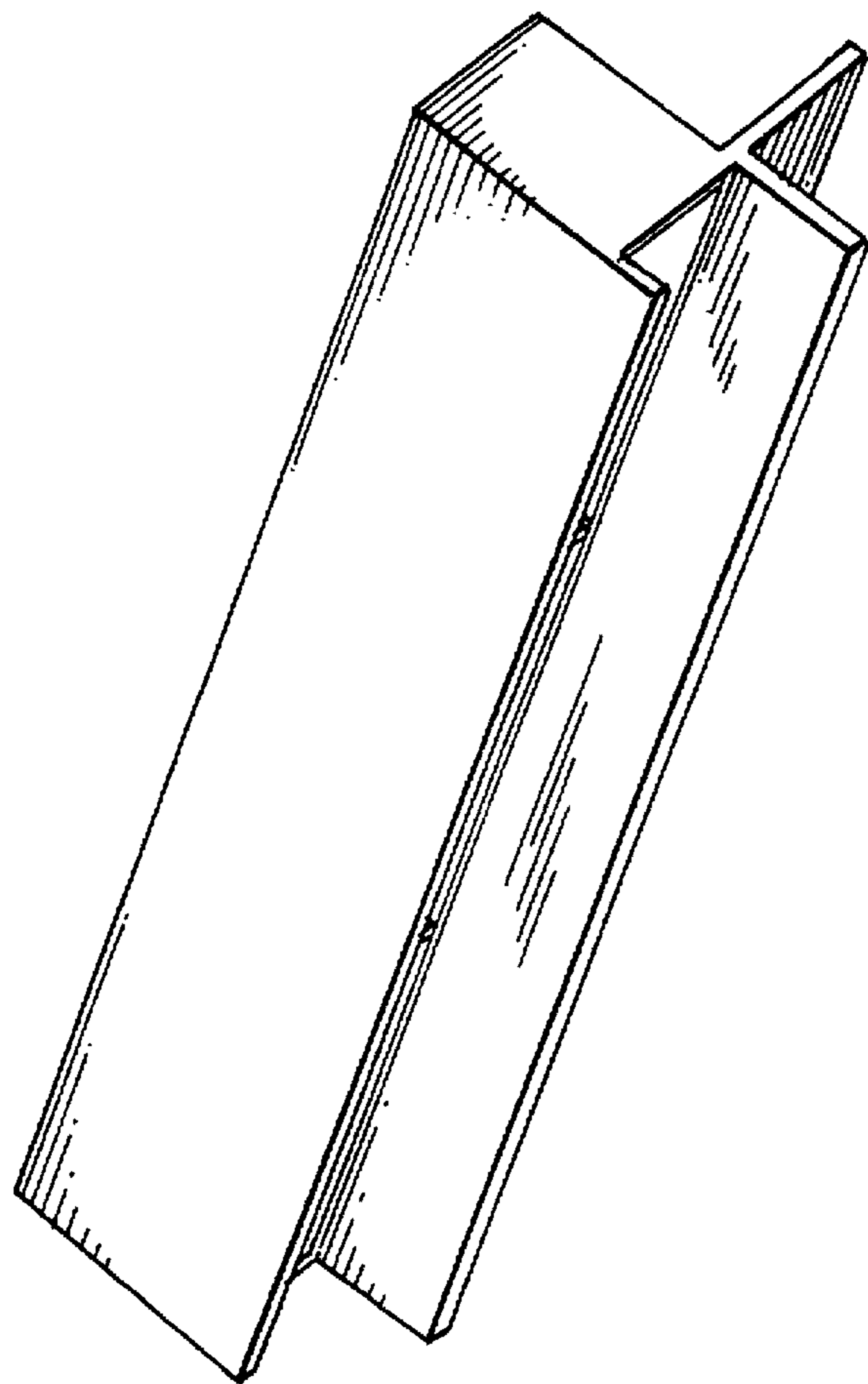


FIG. 10