



US00D385481S

United States Patent [19]

Klein et al.

[11] Patent Number: Des. 385,481

[45] Date of Patent: **Oct. 28, 1997

[54] HANGER

[75] Inventors: Richard B. Klein, Overland Park;
Chris Serslev, Leawood, both of Kans.

[73] Assignee: Lynk, Inc., Shawnee Mission, Kans.

[**] Term: 14 Years

[21] Appl. No.: 56,811

[22] Filed: Jul. 9, 1996

4,094,030	6/1978	Saad	12/116.8
4,457,436	7/1984	Kelley	211/88
4,607,753	8/1986	Radek	211/87
4,678,151	7/1987	Radek	248/220.2
4,711,419	12/1987	Polosky	248/225.2
4,825,601	5/1989	Halverson	52/36
4,899,971	2/1990	Elkin	248/225.1
4,942,498	7/1990	Toussaint	361/388
5,048,698	9/1991	Konrad	211/45
5,082,125	1/1992	Ninni	211/184
5,097,968	3/1992	Gregory	211/94
5,101,986	4/1992	Holztrager	211/13
5,101,989	4/1992	Jones	211/94

Related U.S. Application Data

[62] Division of Ser. No. 630,364, Apr. 10, 1996.

[51] LOC (6) Cl. 08-05

[52] U.S. Cl. D8/373

[58] Field of Search D8/373, 367; 248/220.2,
248/214, 339, 215; 211/94, 13, 35; D6/325,
323

Primary Examiner—Holly Baynham

Attorney, Agent, or Firm—Kokjer, Kircher, Bowman & Johnson

[57] CLAIM

The ornamental design for a hanger, as shown and described.

DESCRIPTION

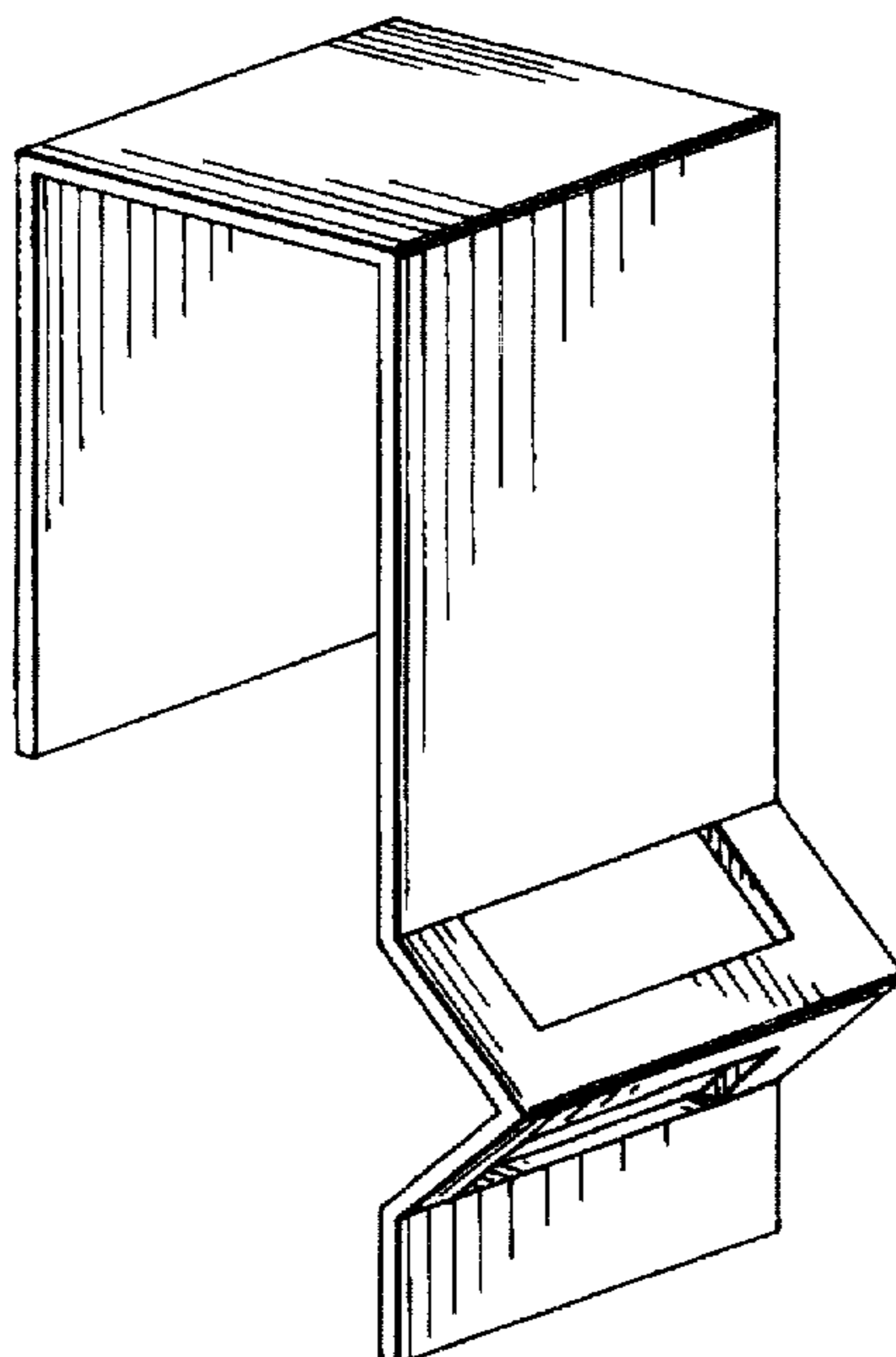
FIG. 1 is a left front perspective view of the hanger of the present invention;
 FIG. 2 is a front elevational view thereof;
 FIG. 3 is a right end view thereof, with a left end view being a mirror image of the right end view;
 FIG. 4 is a rear elevational view thereof;
 FIG. 5 is a top plan view thereof;
 FIG. 6 is a bottom plan view thereof;
 FIG. 7 is a reduced environmental perspective view of the hanger with the broken line showing of a fragmented rack being for illustrative purposes only and forming no part of the claimed design; and,
 FIG. 8 is an environmental right end view with the broken line showing of a rack being for illustrative purposes only and forming no part of the claimed design.

References Cited

U.S. PATENT DOCUMENTS

D. 232,156	7/1974	Schoepe	D8/356
D. 248,910	8/1978	DeFilippo	D8/373 X
D. 288,282	2/1987	Sheets	D8/373
D. 289,972	5/1987	Fogelman	D8/367 X
632,409	9/1899	Hallowell	211/35
953,130	3/1910	Fellows	.
1,377,444	5/1921	Shoemaker	248/304
2,008,748	7/1935	Crow	.
2,090,108	8/1937	Cicero	211/35
2,504,910	4/1950	Wellington	.
2,682,955	7/1954	Moore	211/35
3,112,911	12/1963	Cornwell	248/215
3,248,765	5/1966	Achabal et al.	248/311.2 X
3,371,900	3/1968	Jacobs	248/215 X
3,637,084	1/1972	Uitz	211/105.1

1 Claim, 2 Drawing Sheets



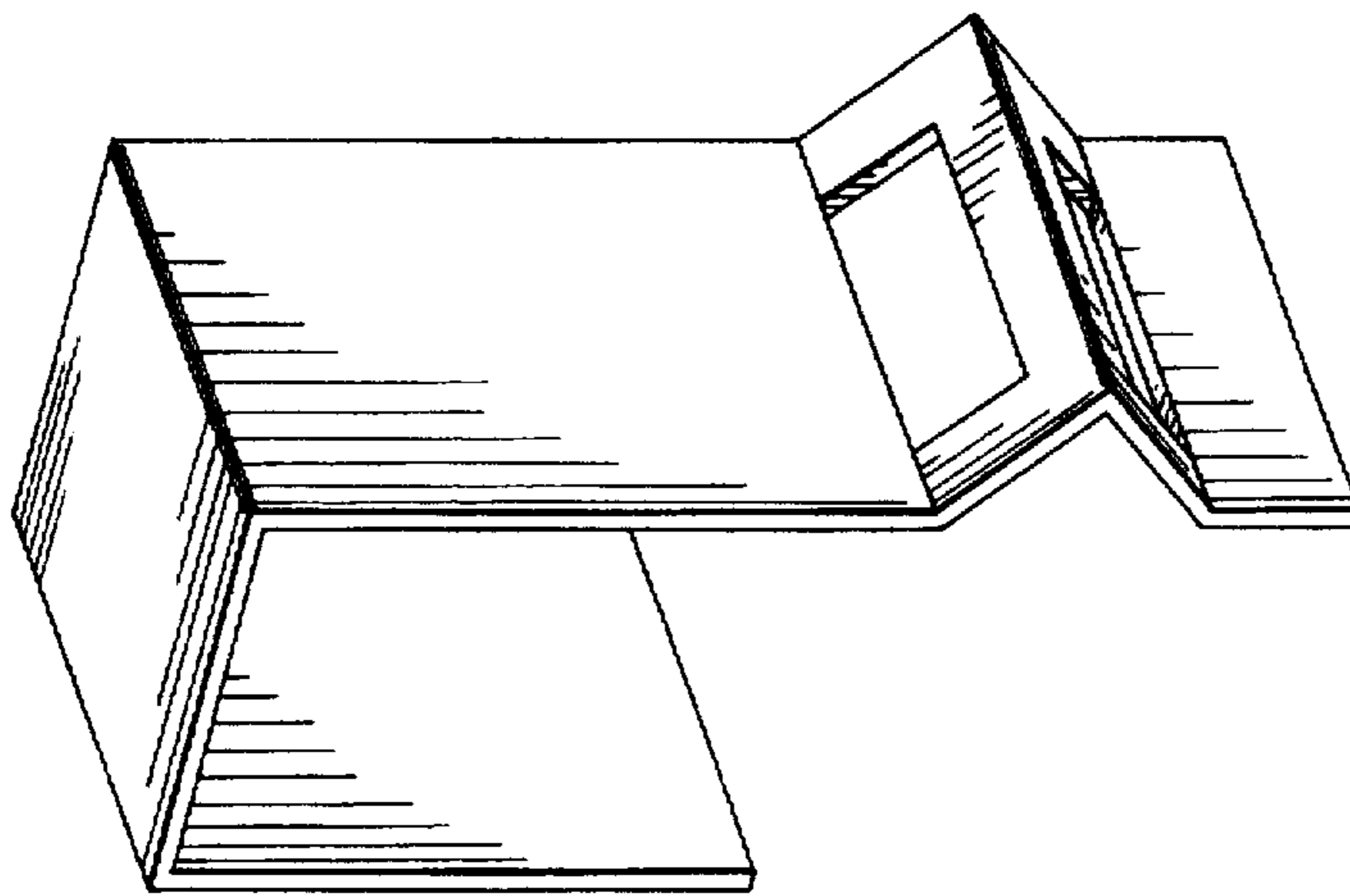


Fig. 1.

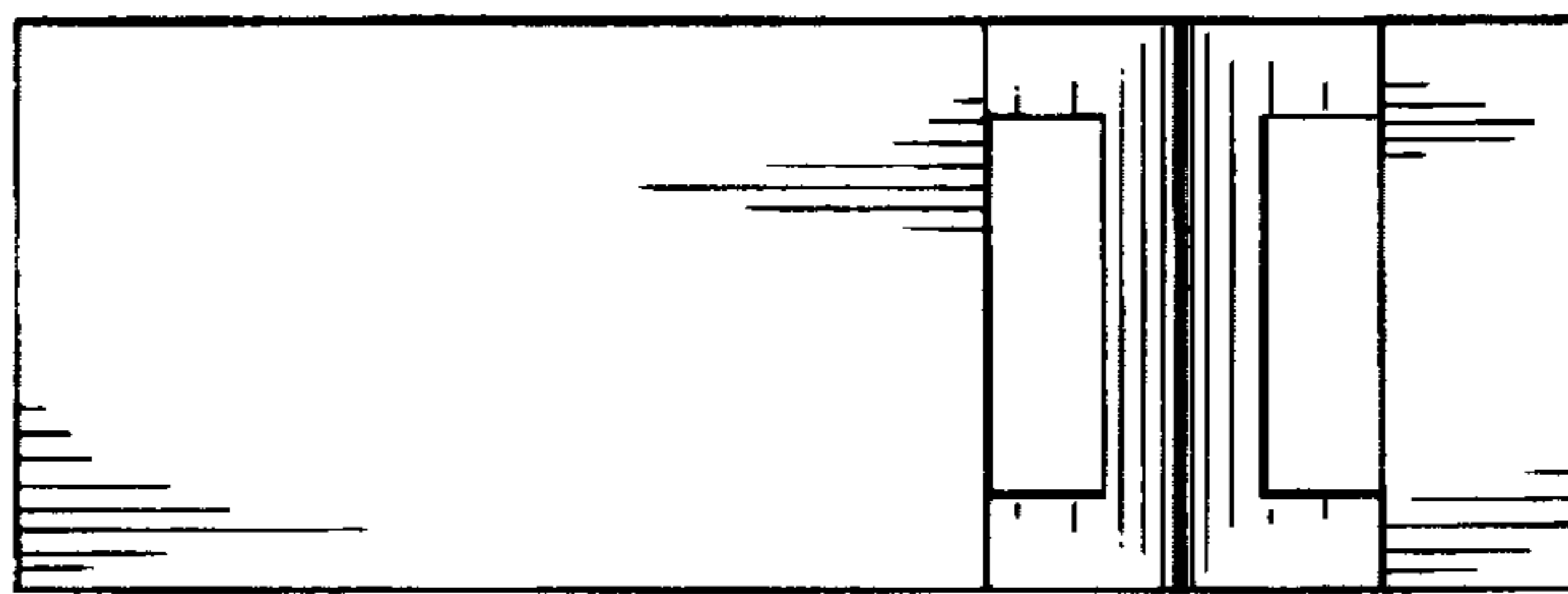


Fig. 2.

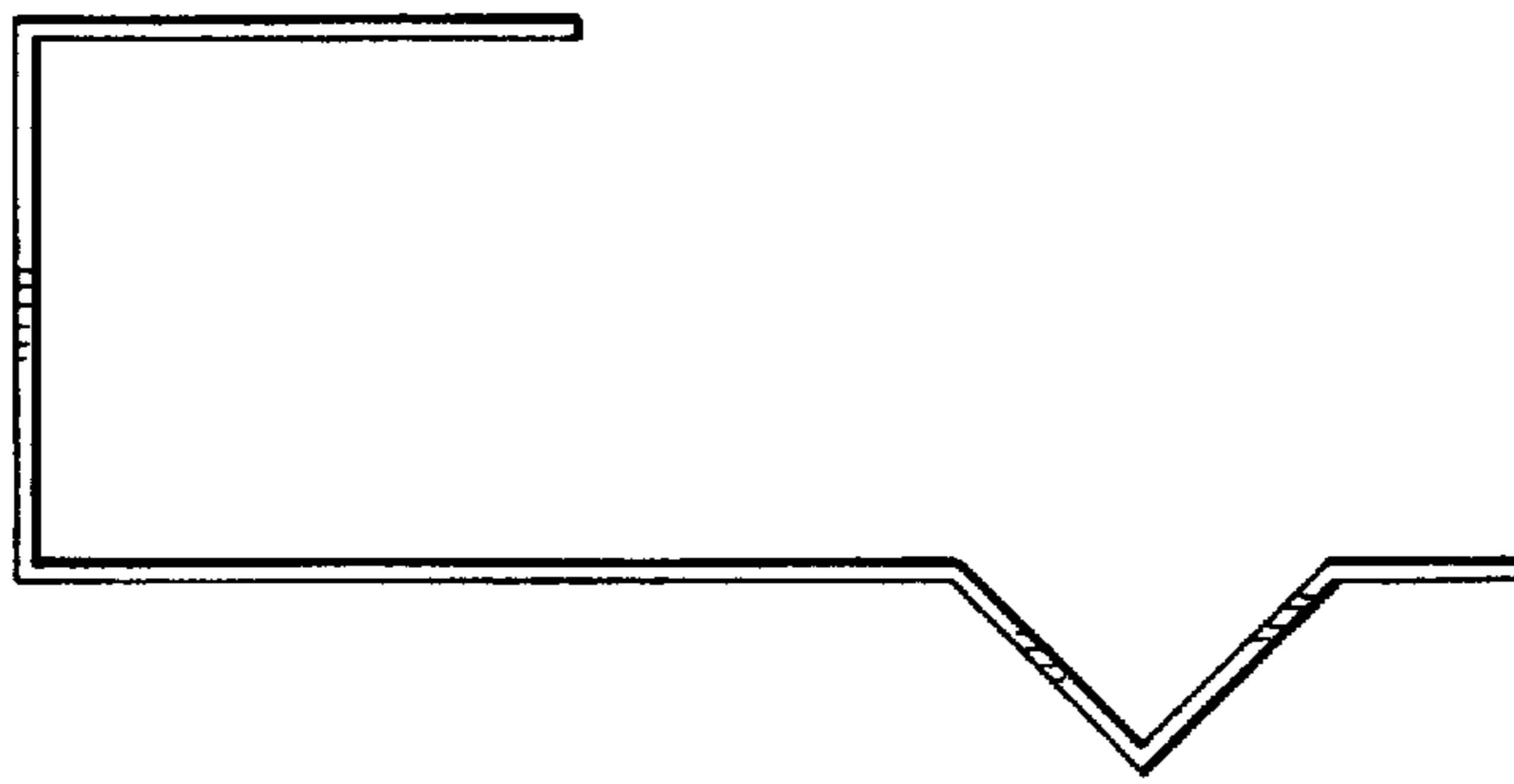


Fig. 3.

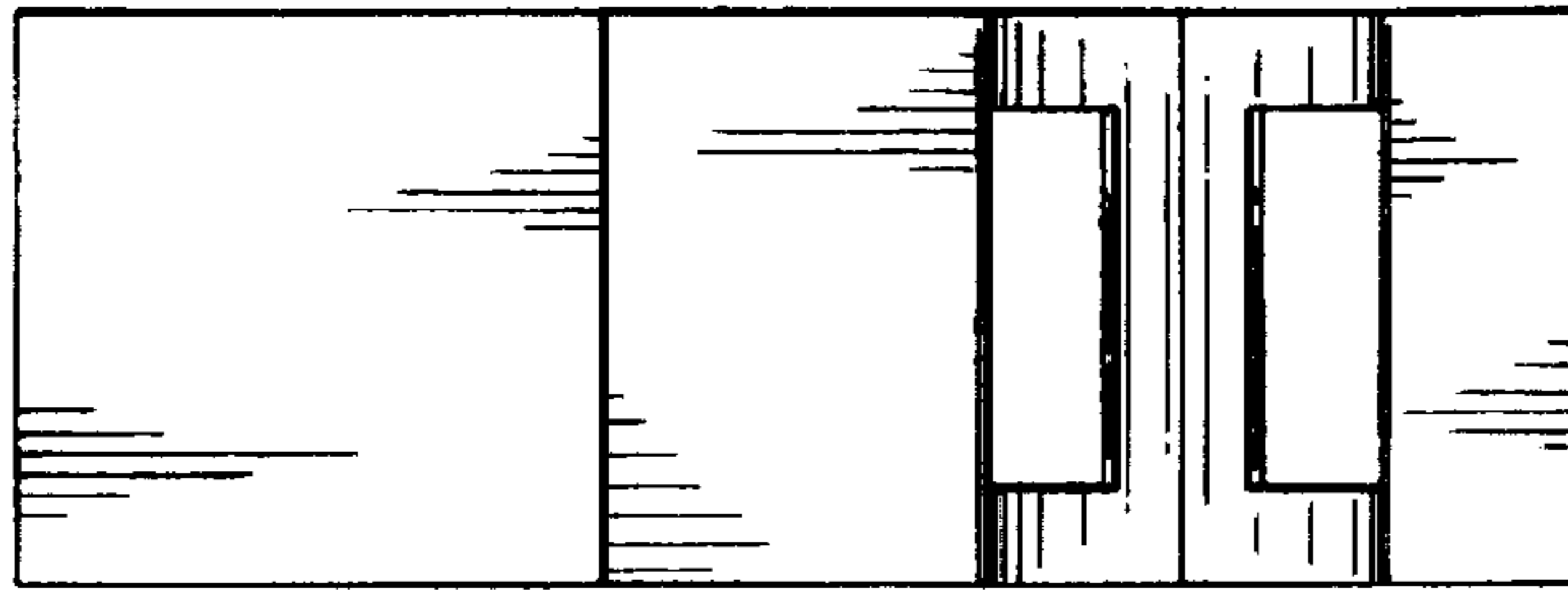


Fig. 4.

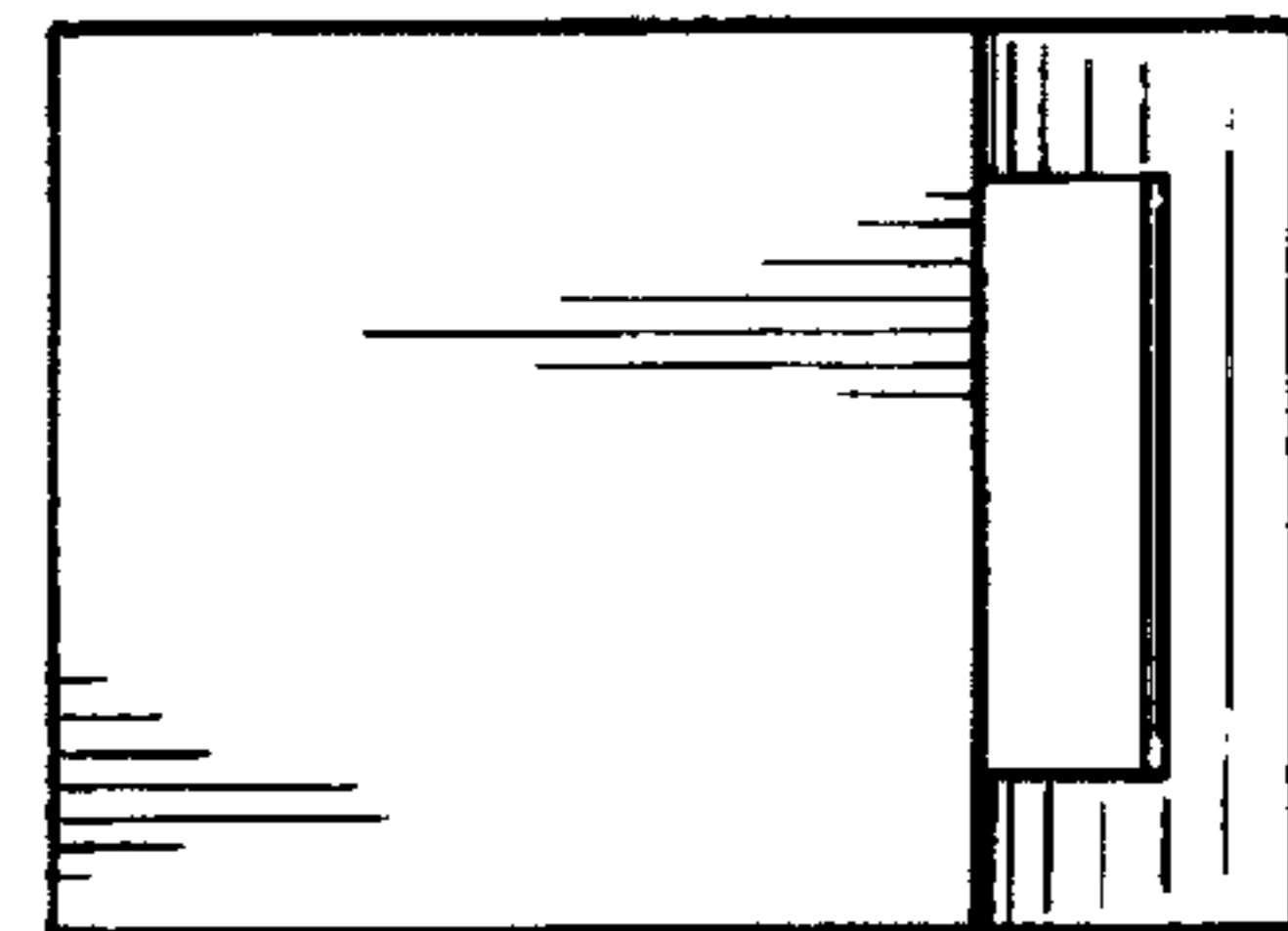


Fig. 5.

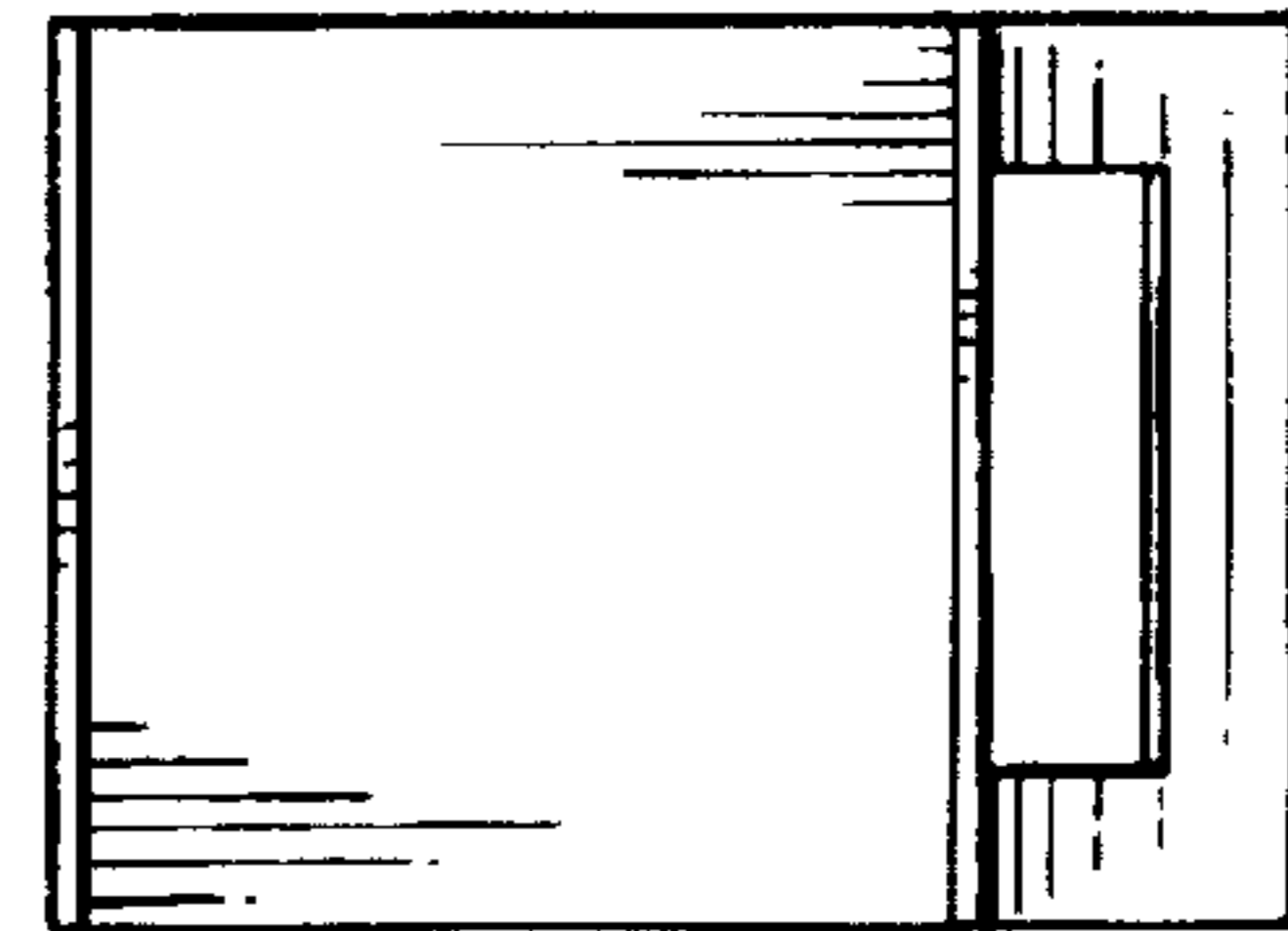


Fig. 6.

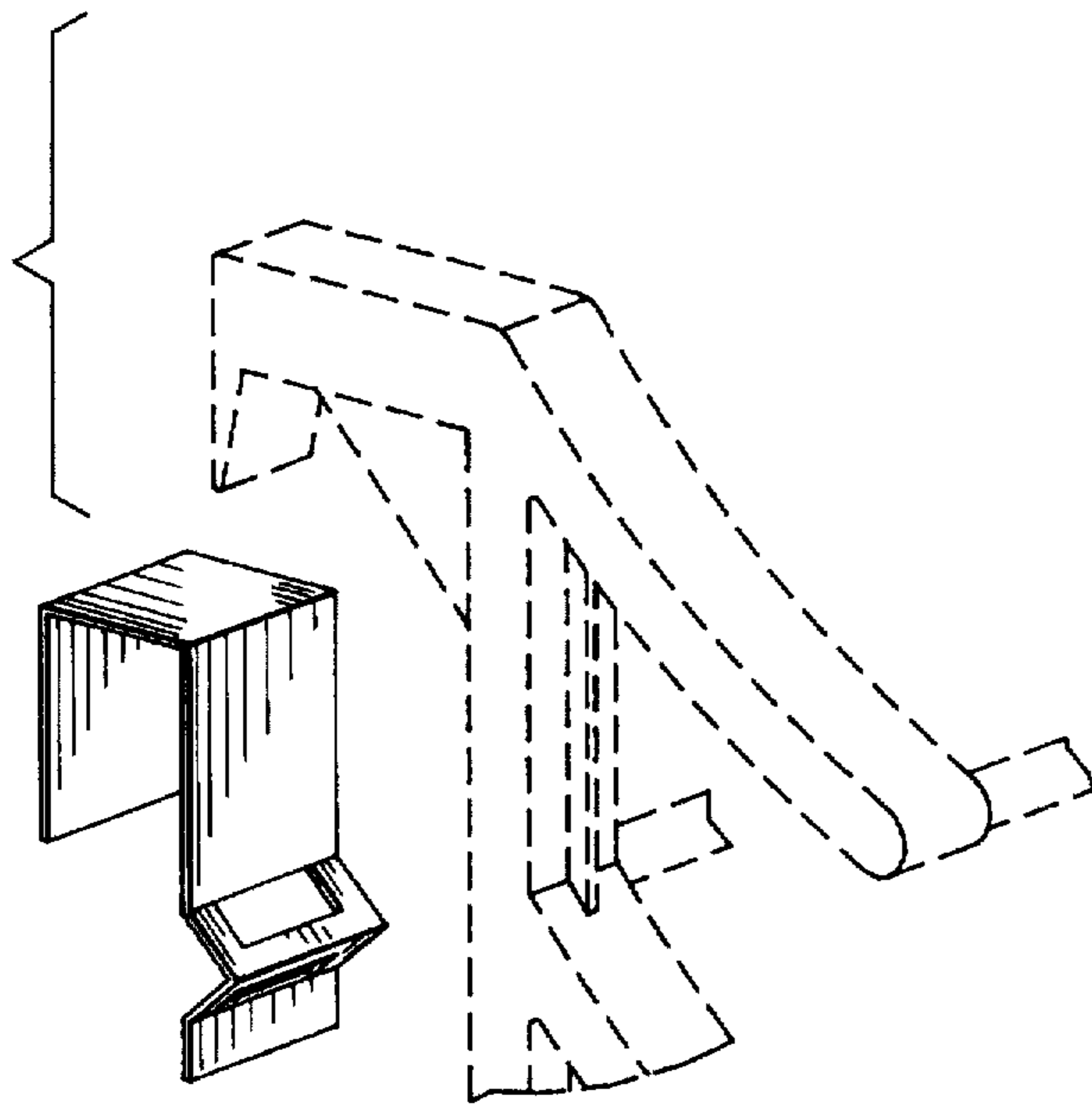


Fig. 7.

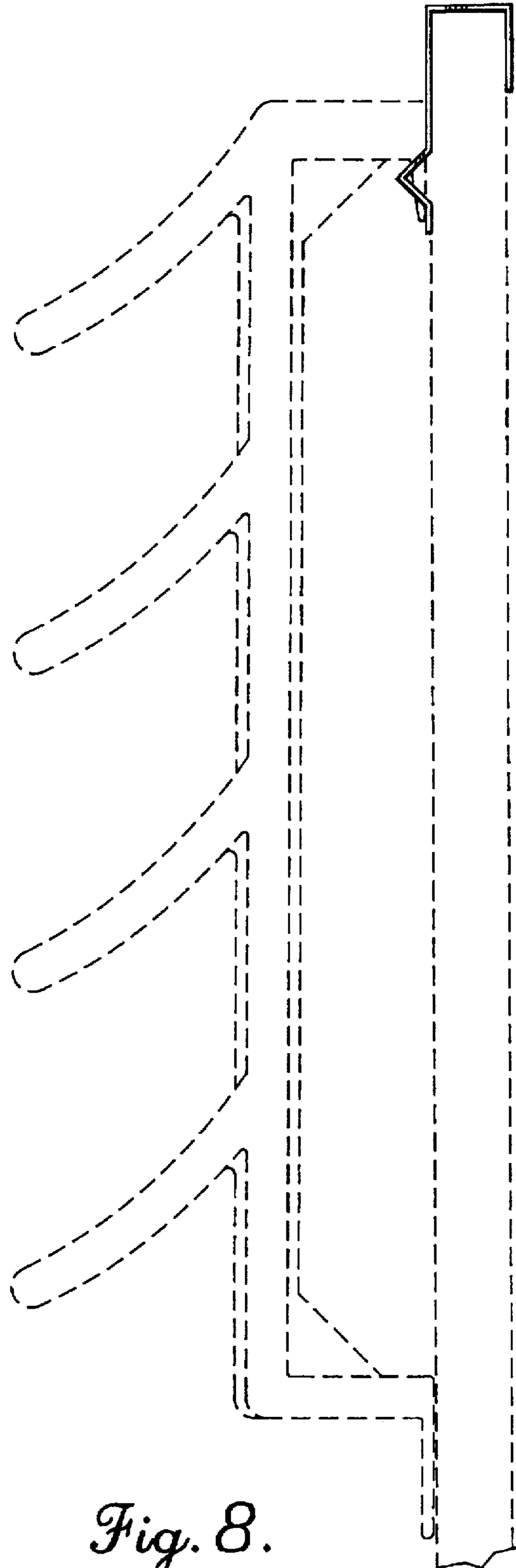


Fig. 8.