



US00D385477S

United States Patent [19]

Tatkiewicz et al.

[11] Patent Number: **Des. 385,477**

[45] Date of Patent: ****Oct. 28, 1997**

[54] **KITE WINDER**

[76] Inventors: **Bruno A. Tatkiewicz; Barbara Tatkiewicz**, both of 6111 Will Rogers St., Westchester, Calif. 90045

[**] Term: **14 Years**

[21] Appl. No.: **56,133**

[22] Filed: **Jun. 24, 1996**

[51] LOC (6) Cl. **08-05**

[52] U.S. Cl. **D8/359**

[58] Field of Search **D8/359; 244/155 R; 242/395, 405.3, 129, 128**

816,328	3/1906	Holt .	
892,349	6/1908	Bailey .	
2,133,337	10/1938	Zvanut	242/405.3
2,135,831	11/1938	Nilsen .	
2,434,479	1/1948	Allen .	
2,505,151	4/1950	Schweitz .	
2,587,432	2/1952	Bellah .	
2,961,184	11/1960	Alford .	
4,106,719	8/1978	Haverland .	

Primary Examiner—Holly Baynham
Attorney, Agent, or Firm—Cislo & Thomas

[57] CLAIM

The ornamental design for kite winder, as shown and described.

DESCRIPTION

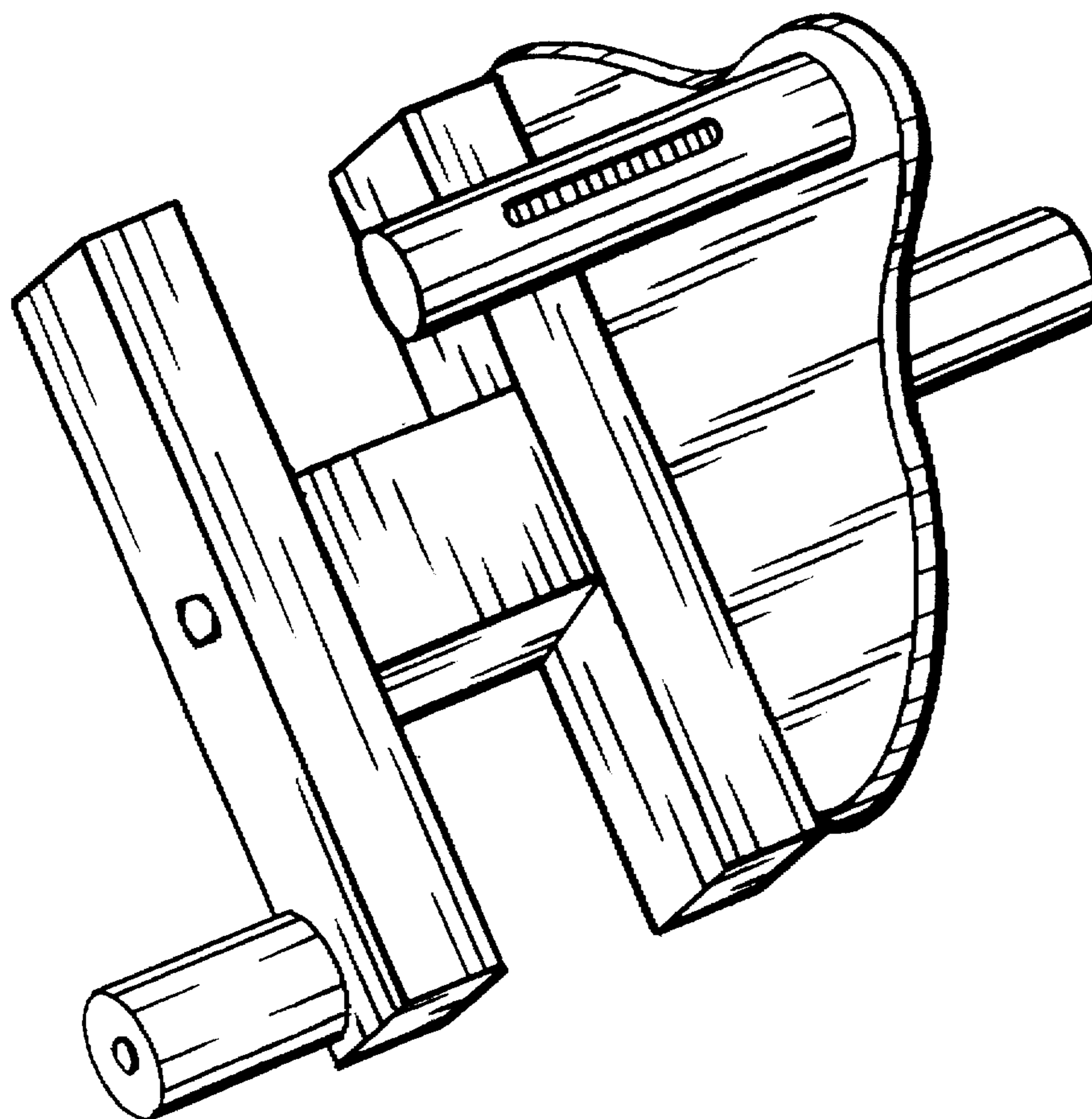
FIG. 1 is a perspective view of our new design; FIG. 2 is a front elevational view thereof; FIG. 3 is a rear elevational view thereof; FIG. 4 is a top plan view thereof; FIG. 5 is a bottom plan view thereof; FIG. 6 is a right side elevational view thereof; and, FIG. 7 is a left side elevational view thereof.

1 Claim, 2 Drawing Sheets

[56] References Cited

U.S. PATENT DOCUMENTS

58,378	10/1866	Chamberlain .	
103,668	5/1870	Sheldon .	
D. 251,356	3/1979	Bogaert	D8/358
274,490	3/1883	Gunn .	
279,190	6/1883	Sager .	
320,555	6/1885	Haslam .	
D. 356,489	3/1995	Scardaoni	D8/359
664,640	12/1900	Huebner .	



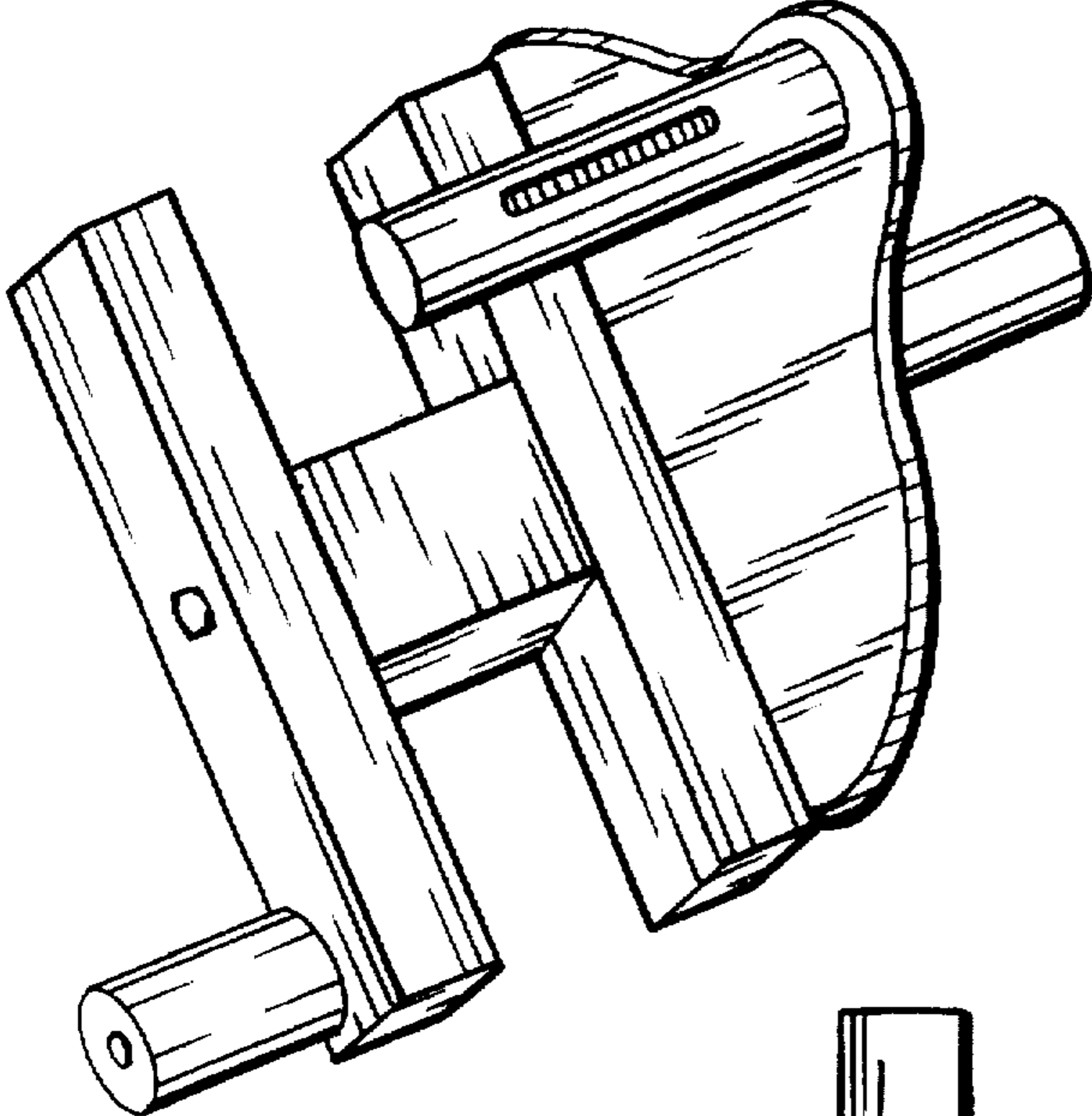


FIG. 1

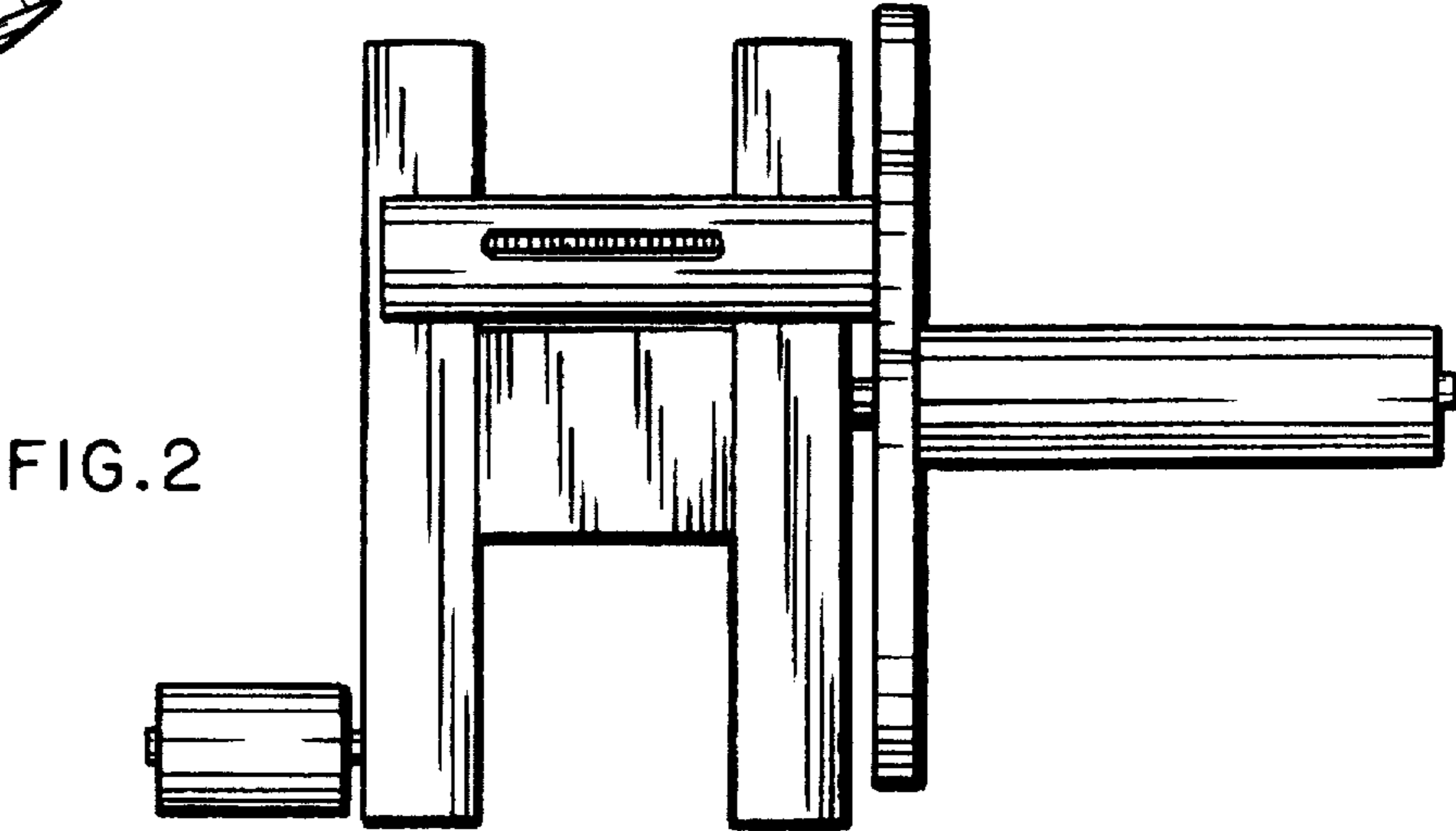


FIG. 2

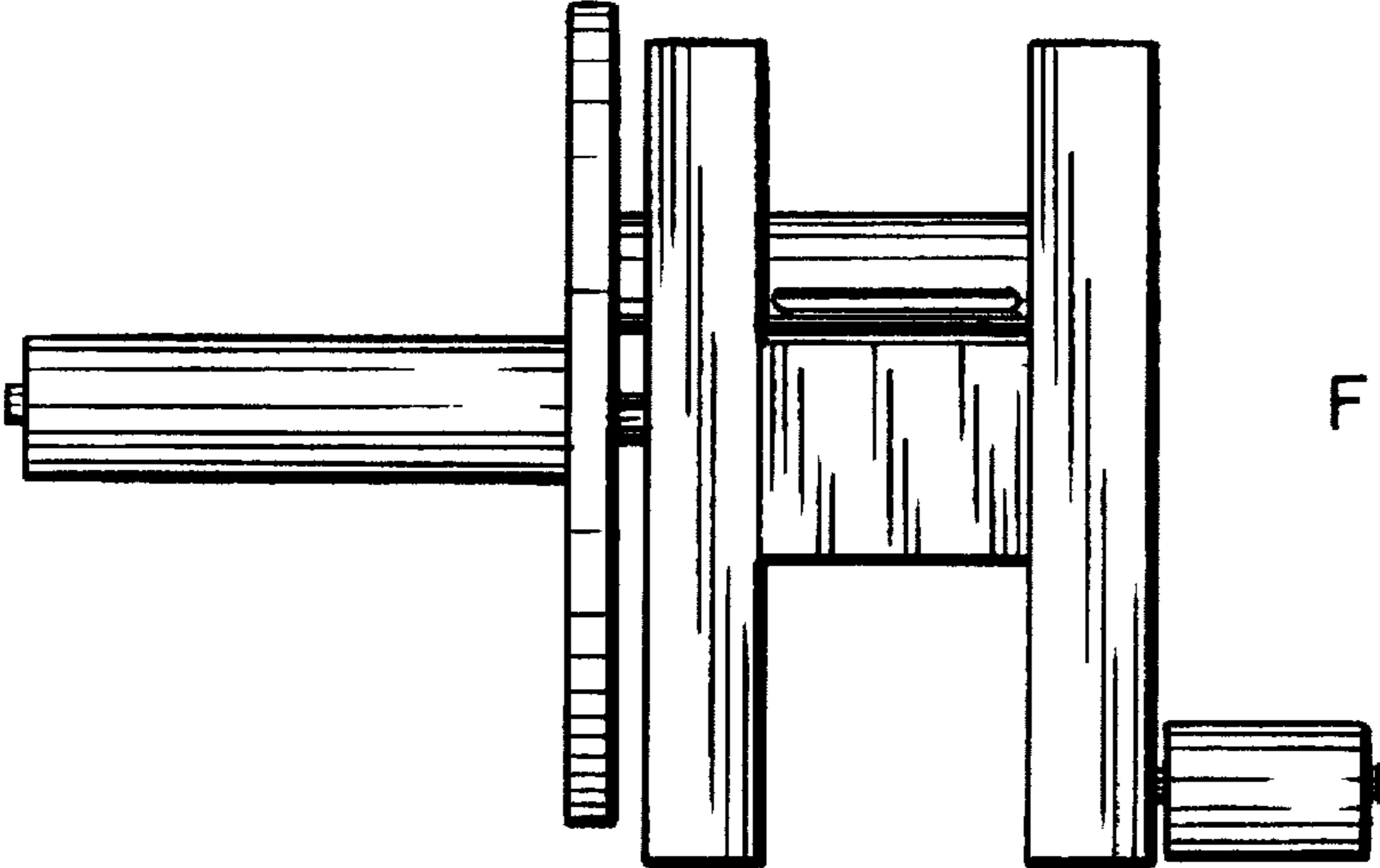


FIG. 3

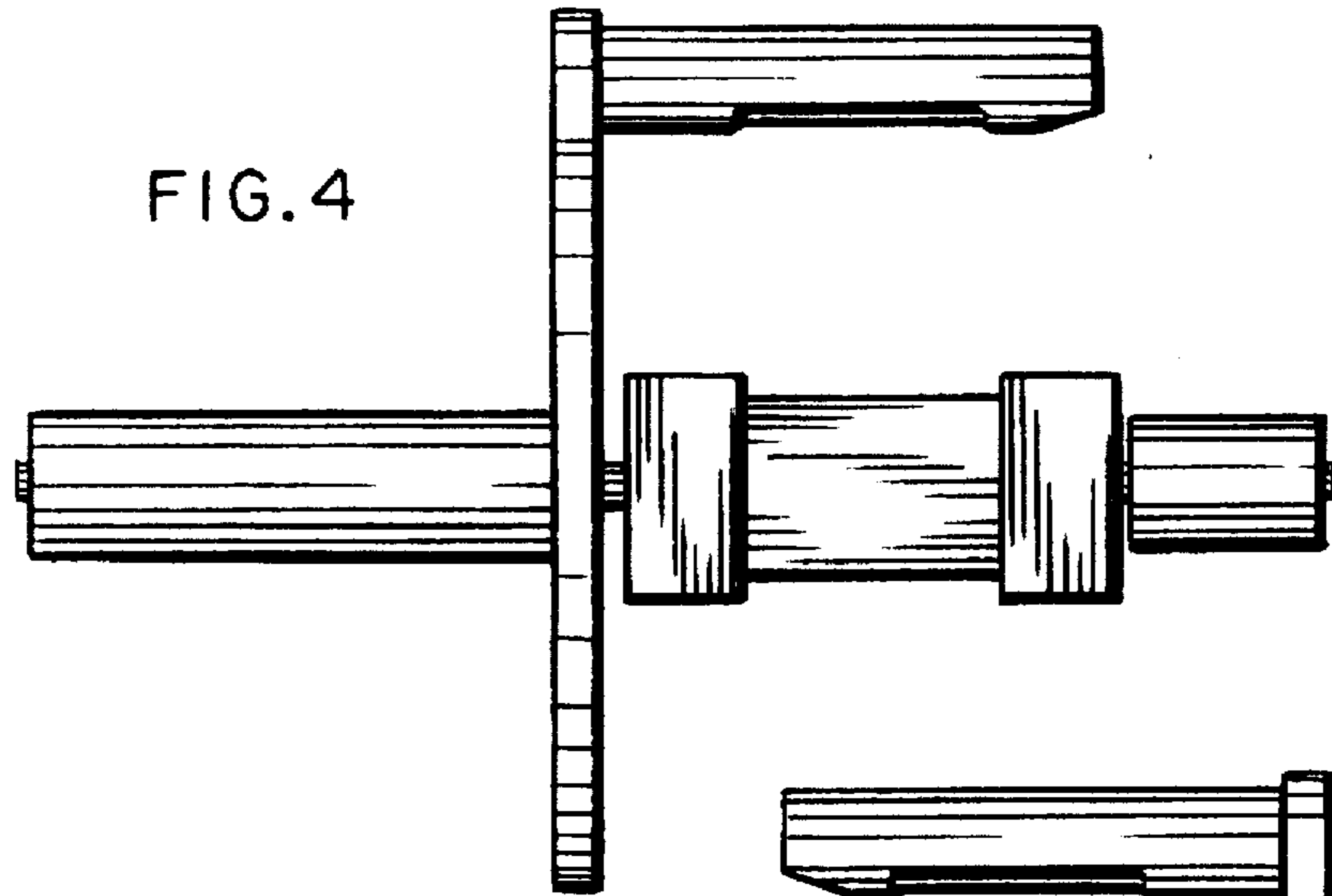


FIG. 4

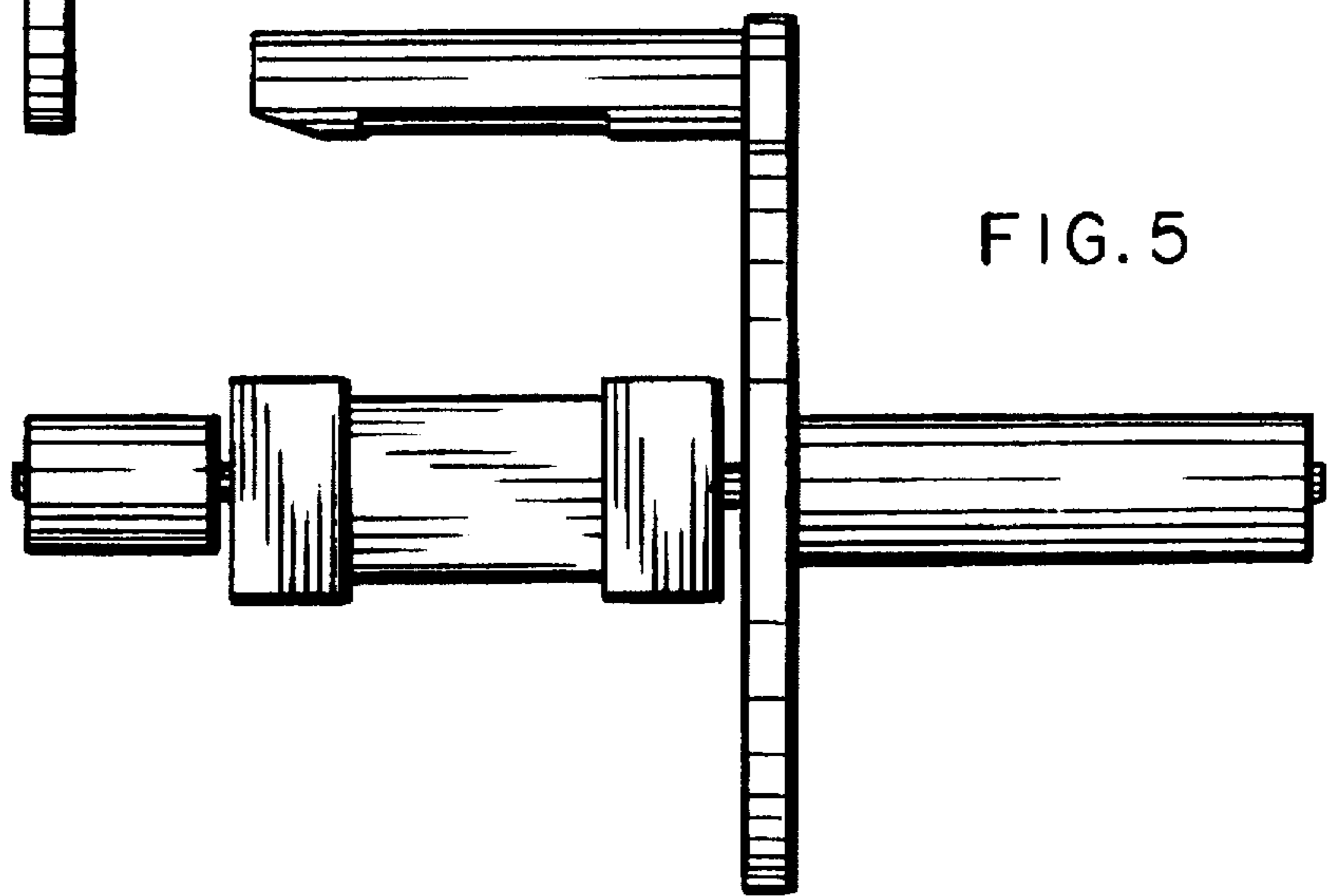


FIG. 5

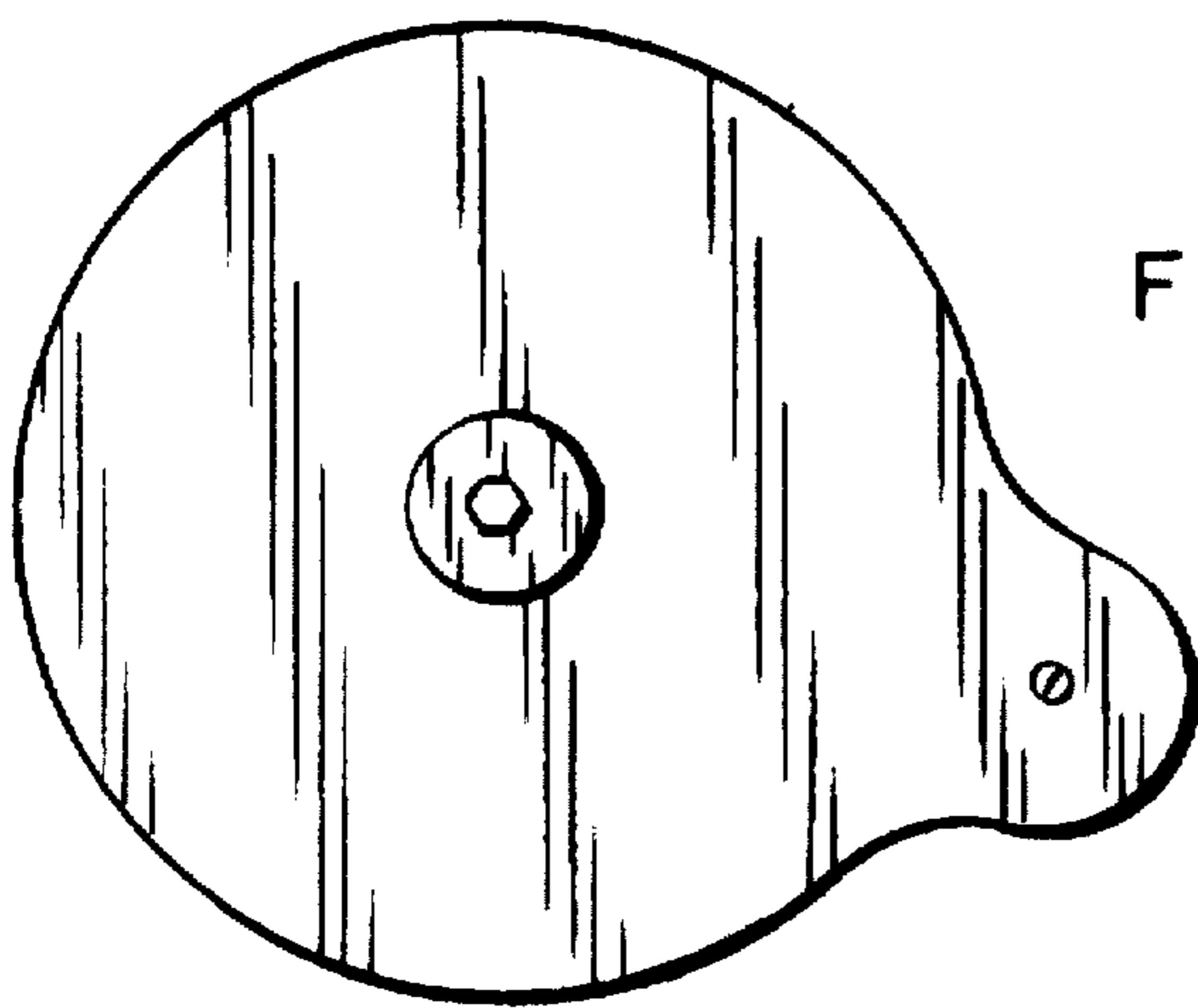


FIG. 6

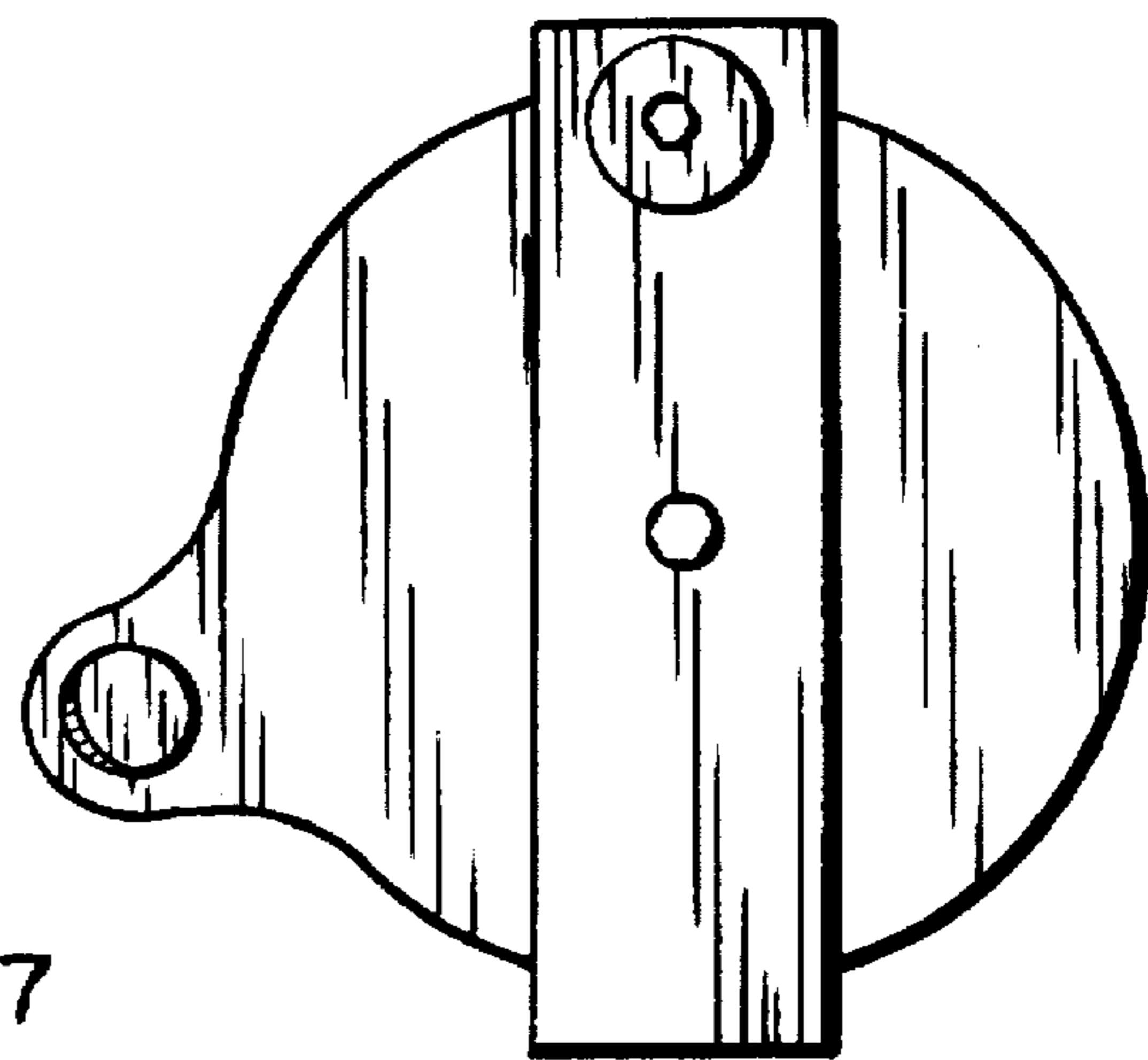


FIG. 7