



US00D385476S

United States Patent [19]
Hill

[11] **Patent Number: Des. 385,476**

[45] **Date of Patent: **Oct. 28, 1997**

[54] **FERRULE**

[75] **Inventor: A. C. Hill, Navasota, Tex.**

[73] **Assignee: Teledyne Brown Engineering, a
Division of Teledyne, Houston, Tex.**

[**] **Term: 14 Years**

[21] **Appl. No.: 46,669**

[22] **Filed: Oct. 20, 1995**

[51] **LOC (6) Cl. 08-05**

[52] **U.S. Cl. D8/356**

[58] **Field of Search D8/356; 174/88 C,
174/152 R, 142, 169; 439/320; D13/153,
155, 154, 157**

[56] **References Cited**

U.S. PATENT DOCUMENTS

D. 262,617 1/1982 Shumate D13/153 X

D. 287,118 12/1986 Skarin D13/155 X
D. 313,010 12/1990 Skarin D13/157
5,273,458 12/1993 Fisher et al. 439/585
5,305,511 4/1994 Koehler et al. 29/268
5,338,225 8/1994 Jacobsen et al. 439/585

Primary Examiner—Holly Baynham
Attorney, Agent, or Firm—William A. Knox

[57] **CLAIM**

The ornamental design for a ferrule, as shown and described.

DESCRIPTION

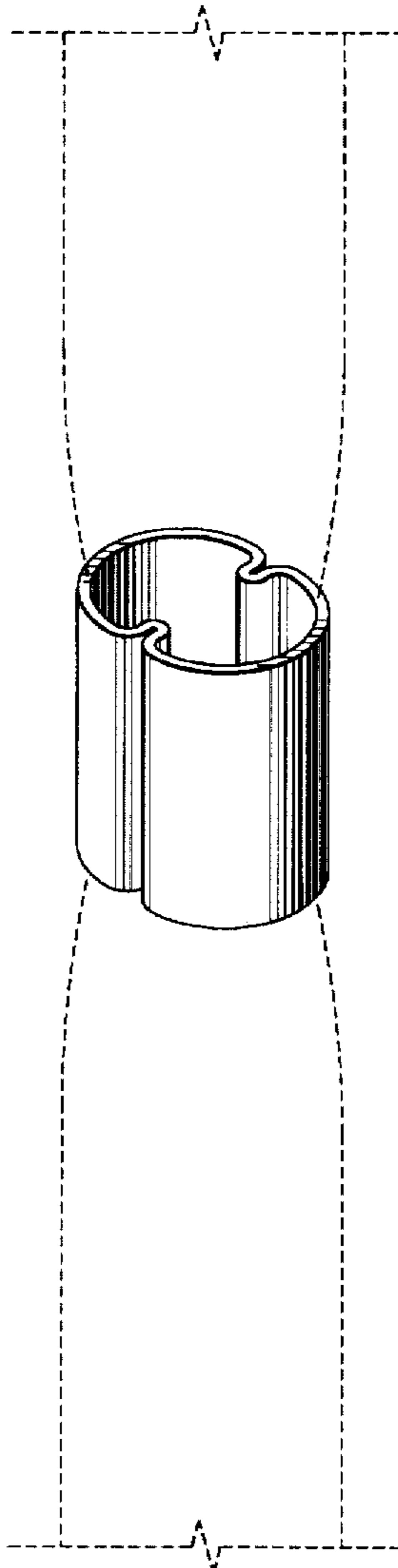
FIG. 1 is an environment perspective view of the ferrule with the broken line showing of a seismic cable being for illustrative purposes only and forming no part of the claimed design;

FIG. 2 is an end view of the ferrule;

FIG. 3 is a side view of the ferrule; and,

FIG. 4 is a top view of the ferrule.

1 Claim, 1 Drawing Sheet



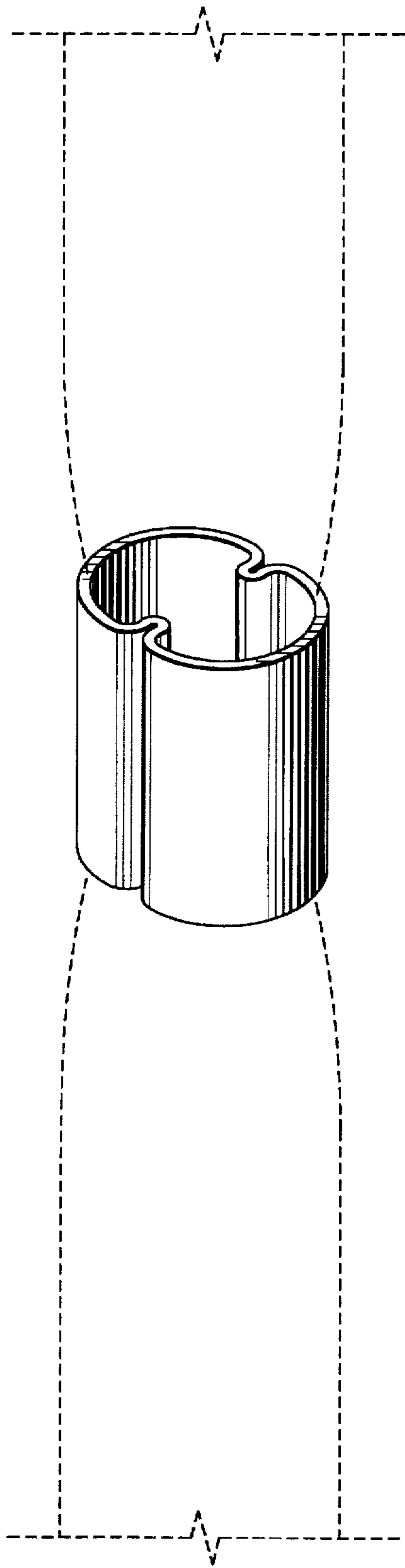


FIG. 1

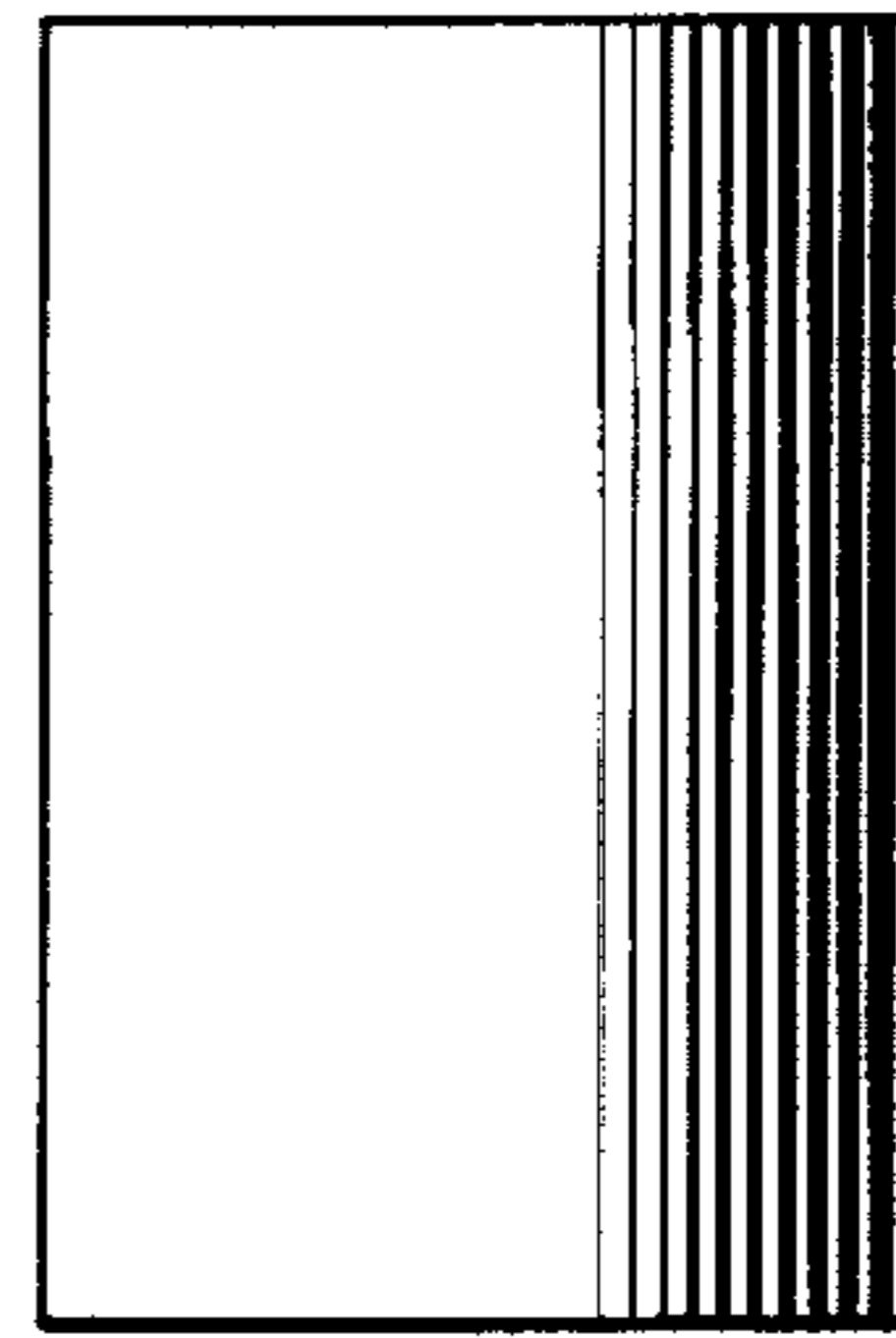


FIG. 2

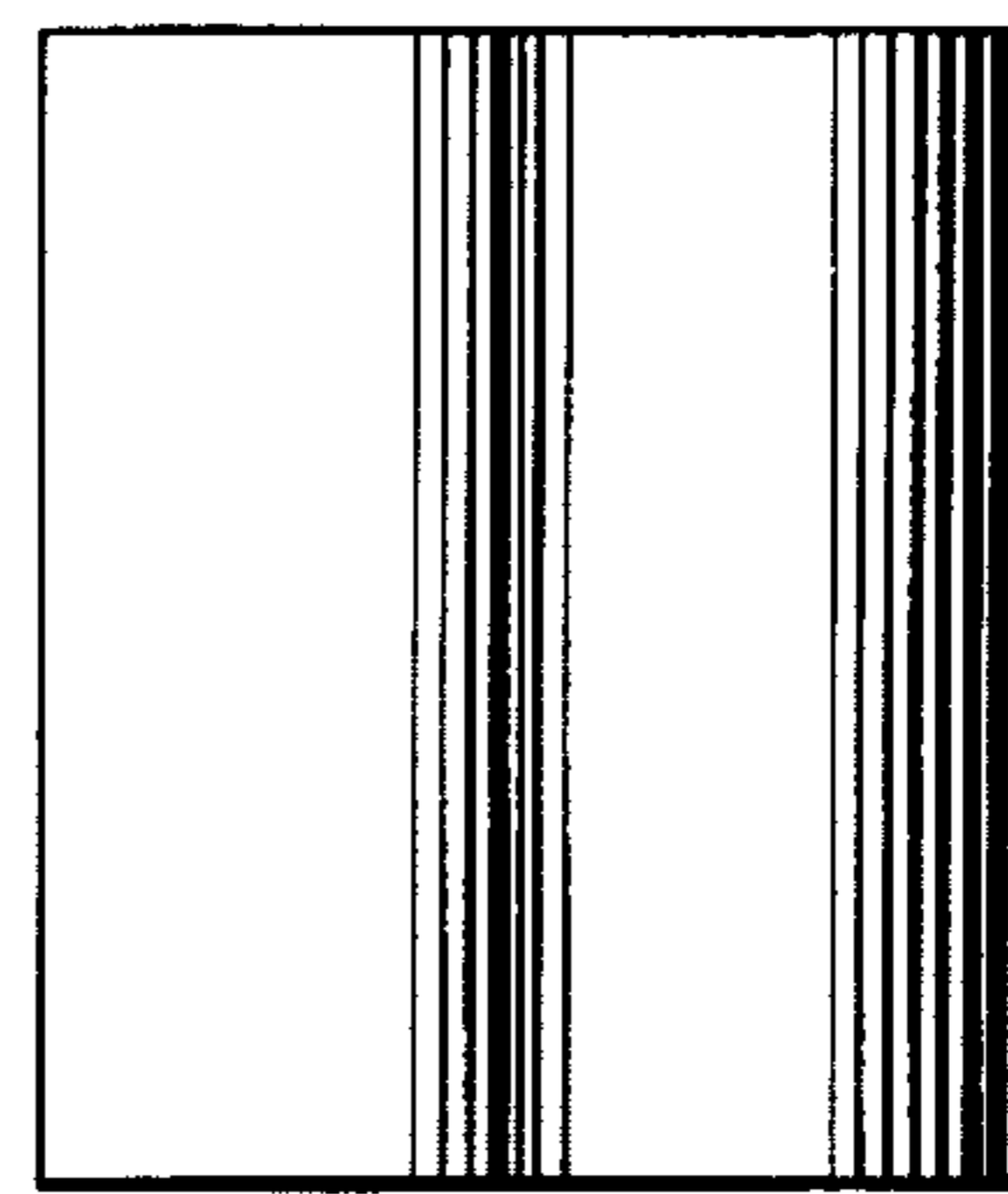


FIG. 3

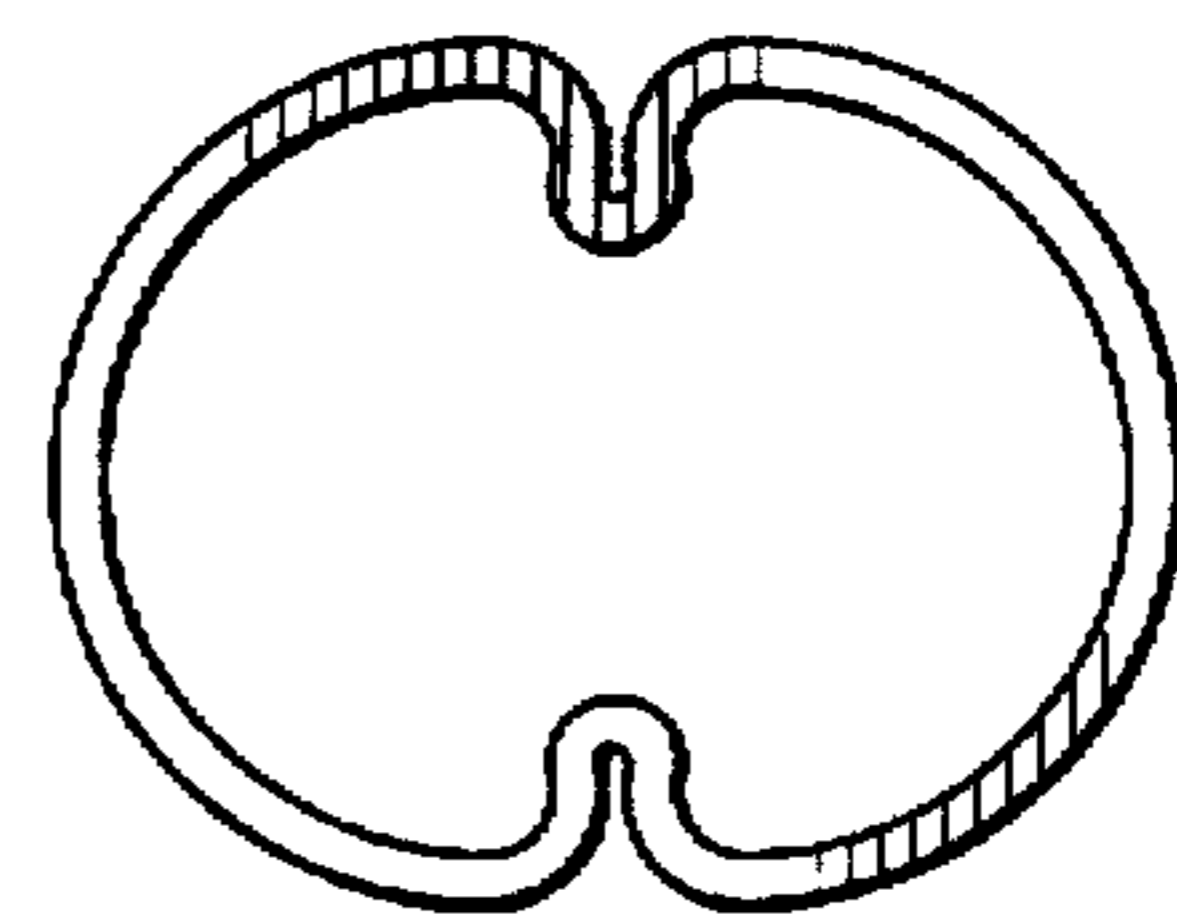


FIG. 4