



US00D385474S

United States Patent [19]
Rechberg

[11] **Patent Number:** **Des. 385,474**
[45] **Date of Patent:** ****Oct. 28, 1997**

[54] **DRAWER LATCH**
[75] **Inventor:** **Frank H. Rechberg, Corona, Calif.**
[73] **Assignee:** **Actron Manufacturing, Inc., Corona, Calif.**
[**] **Term:** **14 Years**
[21] **Appl. No.:** **52,925**
[22] **Filed:** **Apr. 9, 1996**
[51] **LOC (6) Cl.** **08-06**
[52] **U.S. Cl.** **D8/313; D8/310**
[58] **Field of Search** **D6/510; D8/300, D8/301, 302, 306, 307, 310-313, 341; 16/110 R, 114 R, DIG. 32, 121, 115; 70/85, 86, 207-209, 237, 77, 78; 292/332, 335, 164, 153, 169.12, DIG. 12, 15; 312/334.13, 333**

3,600,021 8/1971 Hawkins 292/167
3,801,166 4/1974 York 308/3.8
3,937,531 2/1976 Hagen et al. 308/3.8
4,067,632 1/1978 Sekerich 312/341 R
4,121,876 10/1978 Ratti 308/3.8
4,231,597 11/1980 Pelcin 292/164
4,333,690 6/1982 Keefe et al. 308/3.8
4,420,954 12/1983 Hieronymi et al. 70/150
4,423,914 1/1984 Vander Ley 312/333
4,441,772 4/1984 Fielding et al. 312/330 R
4,469,384 9/1984 Fler et al. 312/341 R
4,564,247 1/1986 Knoop 308/3.8
4,749,242 6/1988 Rechberg 312/333
4,765,663 8/1988 Raymond et al. 292/169.18
4,872,734 10/1989 Rechberg 312/333
4,974,884 12/1990 Dietrich 292/173
5,002,321 3/1991 Shy 292/335
5,350,207 9/1994 Sanders 292/335

OTHER PUBLICATIONS

"Flush-Mounted Paddle Handles", Eberhard Mfg. Co., 1 page from catalog, Section 1, p. 95, 1985.

Primary Examiner—James Gandy
Attorney, Agent, or Firm—Stetina Brunda Garred & Brucker

[56] **References Cited**

U.S. PATENT DOCUMENTS

D. 210,152 2/1968 Pastva, Jr. D50/5
D. 230,945 3/1974 Beckman D8/341
D. 239,693 4/1976 Smith D8/109
D. 342,203 12/1993 Lougee D8/313
1,557,765 10/1925 Nicholas .
1,591,476 7/1926 Dorneth .
1,910,208 5/1933 Gronberg et al. .
2,184,388 12/1939 Kraft 292/332
2,547,513 4/1951 Wikman 109/53
2,687,924 8/1954 Gomersall 308/3.8
2,692,802 10/1954 Kurtzon et al. 308/3.8
2,710,216 6/1955 Eichacker 292/335
2,723,873 11/1955 Schlage 292/335
2,896,295 7/1959 Fischer 24/263
2,987,908 6/1961 Pelcin 70/146
3,046,043 7/1962 Matteson 292/175
3,259,447 7/1966 Deutsch 312/348
3,401,998 9/1968 Evans et al. 312/215
3,574,437 4/1971 Stein et al. 312/341

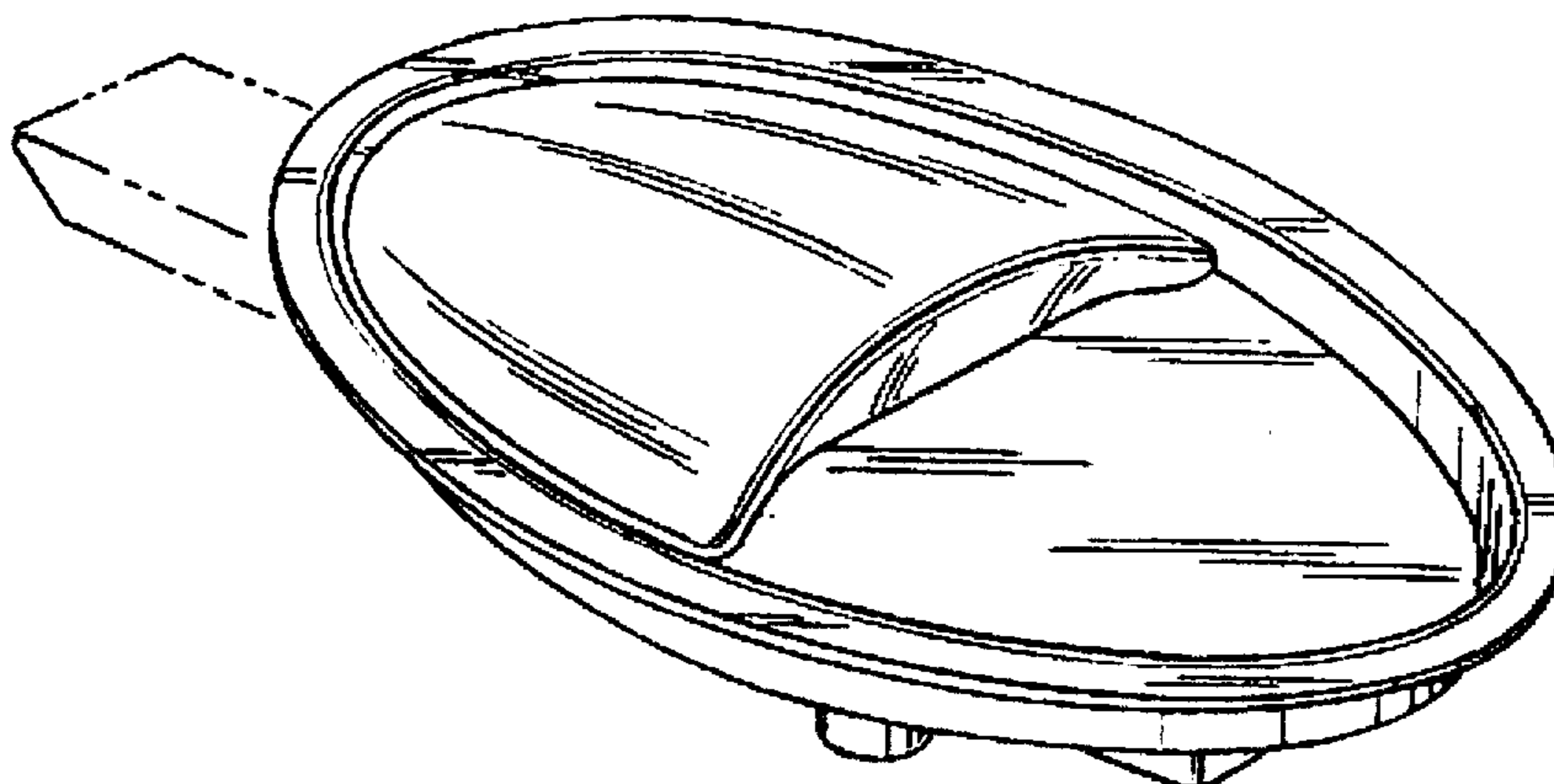
[57] **CLAIM**

The ornamental design for a drawer latch, as shown and described.

DESCRIPTION

FIG. 1 is a front perspective view of the drawer latch of the present invention showing my new design;
FIG. 2 is a rear bottom perspective view thereof;
FIG. 3 is a side elevational view thereof, it being understood that the opposite side view is substantially a mirror image, the only difference being the placement of the cylinder;
FIG. 4 is a left end view thereof; and,
FIG. 5 is a right end view thereof.
The broken lines depicting environmental structure in FIGS. 1, 2 and 3 are for illustrative purposes only and form no part of the claimed design.

1 Claim, 1 Drawing Sheet



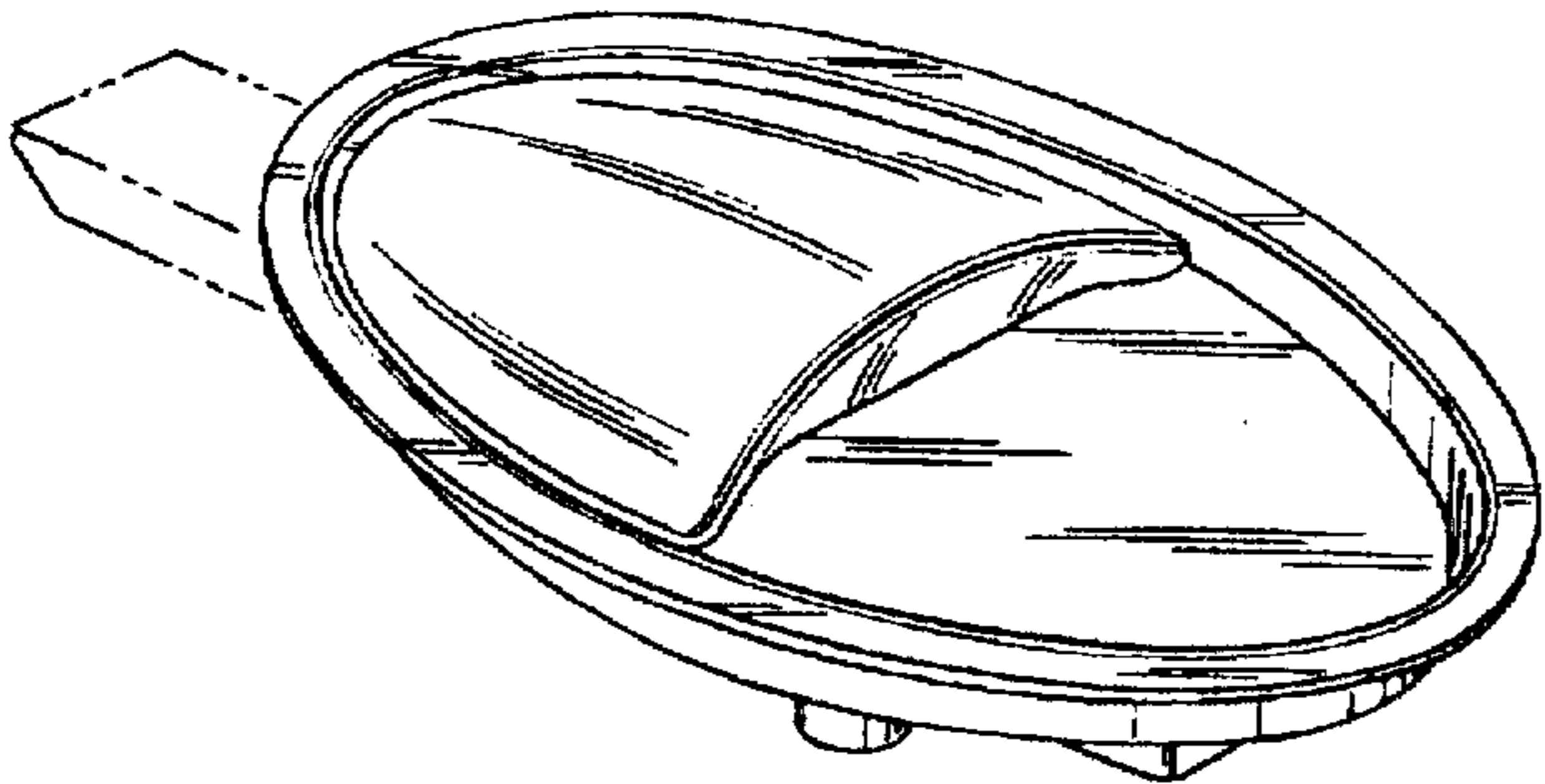


Fig. 1

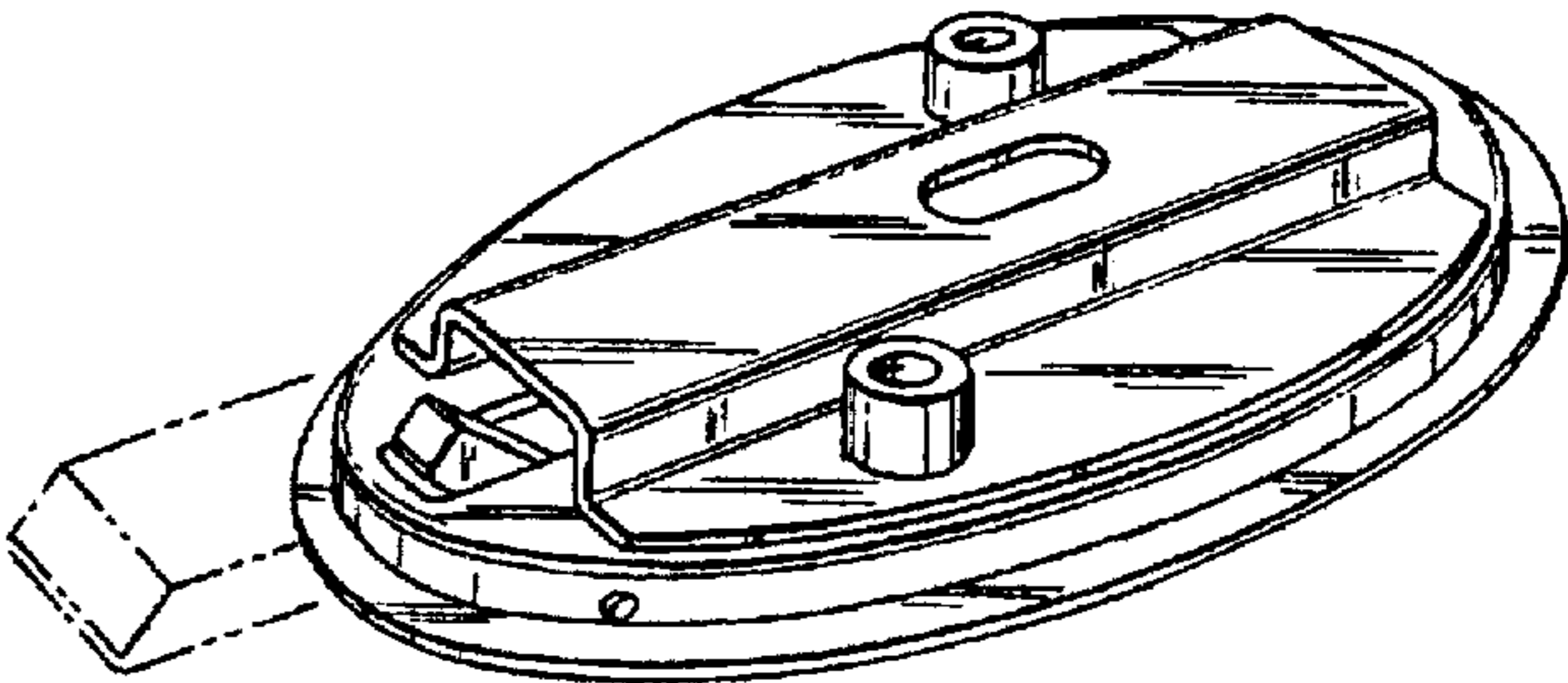


Fig. 2

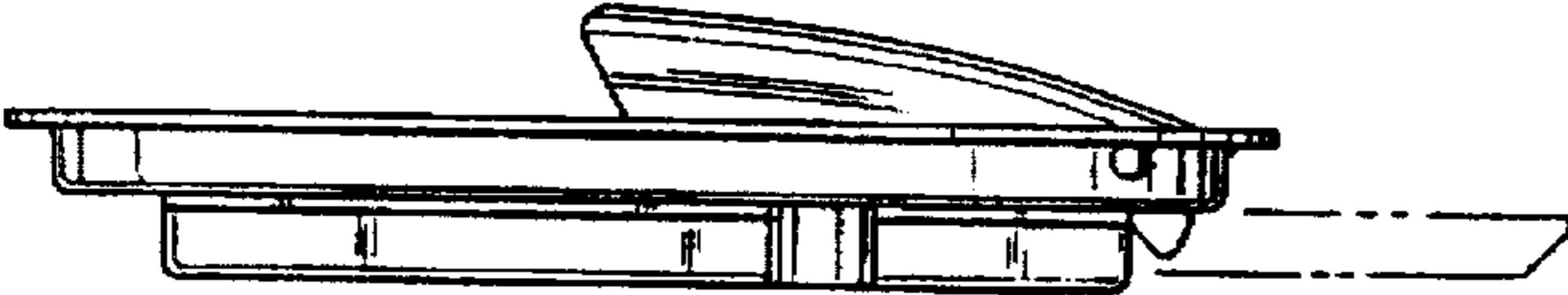


Fig. 3

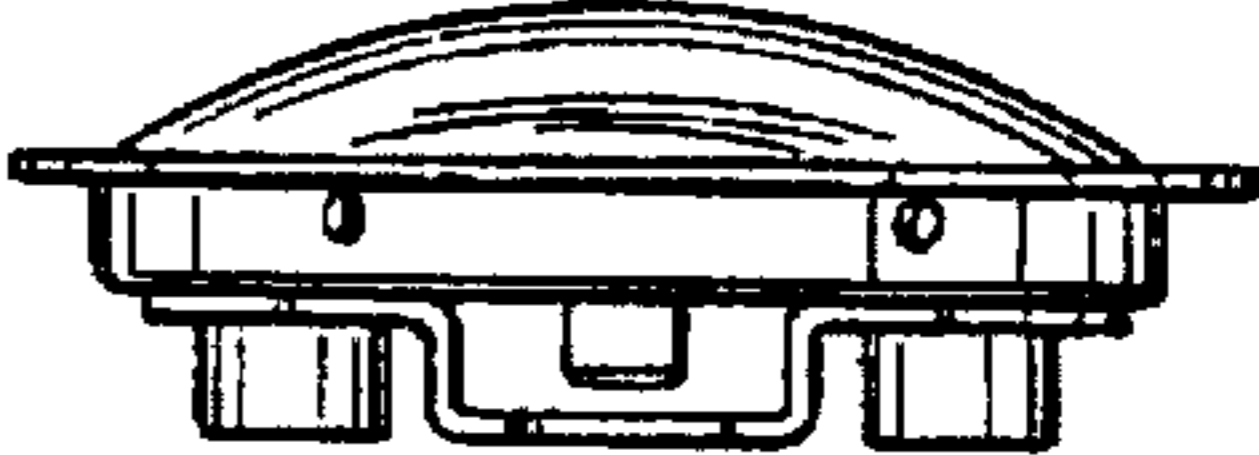


Fig. 4



Fig. 5