



US00D385473S

**United States Patent** [19]  
**Godt**

[11] **Patent Number: Des. 385,473**

[45] **Date of Patent: \*\*Oct. 28, 1997**

[54] **TOOL HANDLE**

4,283,854 8/1981 Austin ..... 16/111 R

[76] **Inventor: Glen Godt, P.O. Box 2, Fort Smith, N.W.T., Canada, X0E 0P0**

**OTHER PUBLICATIONS**

Photocopies Excerpt from the Apr. 27, 1982 issue of the Slave River Journal, Fort Smith, Northwest Territories.

[\*\*] **Term: 14 Years**

*Primary Examiner*—Philip S. Hyder  
*Assistant Examiner*—Adir Aronovich  
*Attorney, Agent, or Firm*—Rodman & Rodman

[21] **Appl. No.: 42,461**

[22] **Filed: Aug. 10, 1995**

[57] **CLAIM**

[30] **Foreign Application Priority Data**

Feb. 13, 1995 [CA] Canada ..... 1995-0357

The ornamental design for a tool handle, as shown and described.

[51] **LOC (6) Cl. .... 08-06**

**DESCRIPTION**

[52] **U.S. Cl. .... D8/107**

[58] **Field of Search** ..... D7/395; D8/14, D8/16, 45, 98, 107, 303; 15/235.4, 236.01; 16/110 R, 111 R, DIG. 2; 81/489

FIG. 1 is a rear and right side pictorial view of the tool handle;

FIG. 2 is a left elevation view of the tool handle;

FIG. 3 is a top plan view of the tool handle;

FIG. 4 is a bottom plan view of the tool handle;

FIG. 5 is a front elevation view of the tool handle; and,

FIG. 6 is a rear elevation view of the tool handle.

The broken line depiction of a tool in FIGS. 1, 2, 5 and 6 is for illustration purposes only and forms no part of the claimed design.

[56] **References Cited**

**U.S. PATENT DOCUMENTS**

- D. 227,544 7/1973 Sumida ..... D8/98
- D. 227,545 7/1973 Sumida ..... D8/98
- D. 269,154 5/1983 Freedman et al. .... D8/98
- D. 321,112 10/1991 Goulter ..... D7/395
- 3,890,707 6/1975 Cremonese ..... 30/308

**1 Claim, 2 Drawing Sheets**

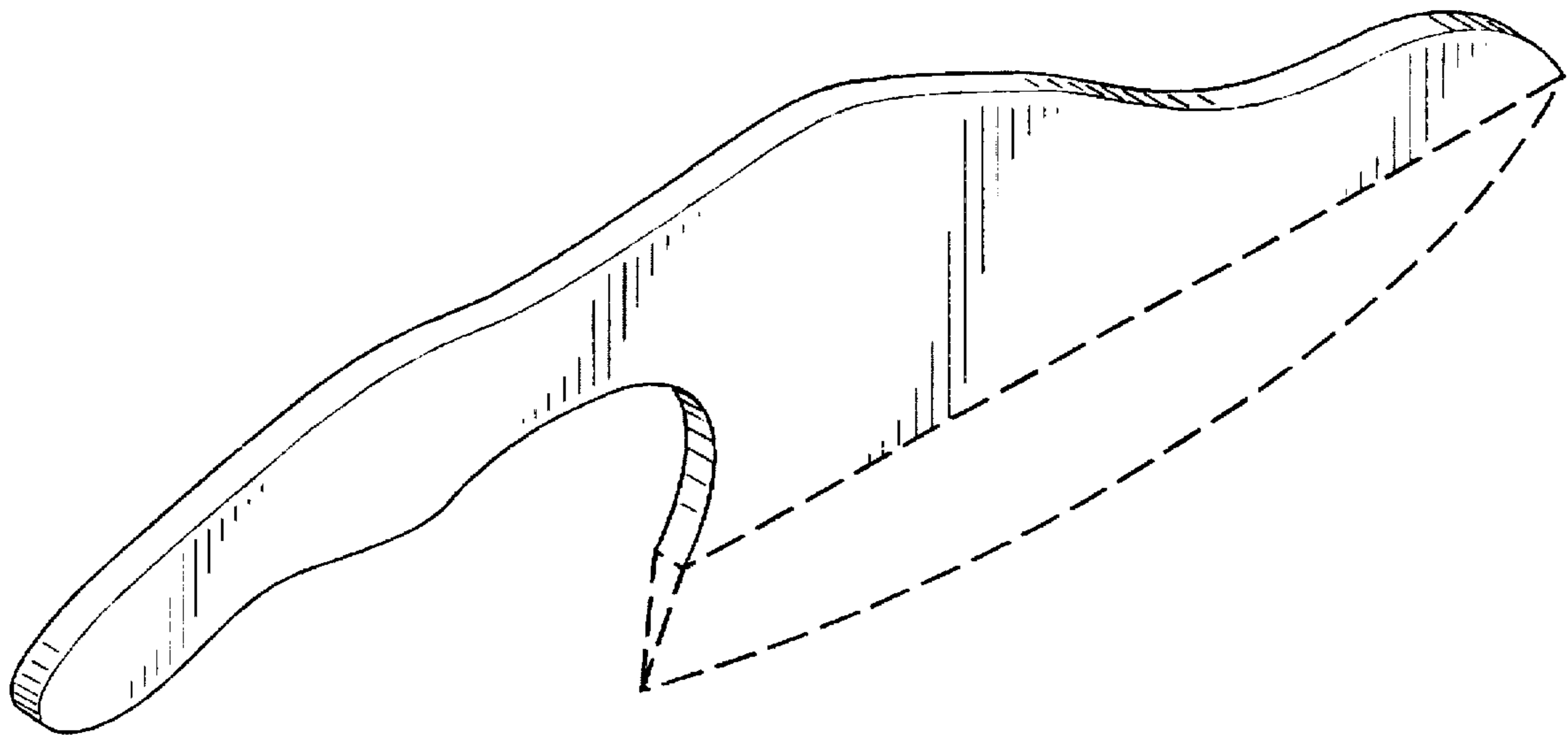
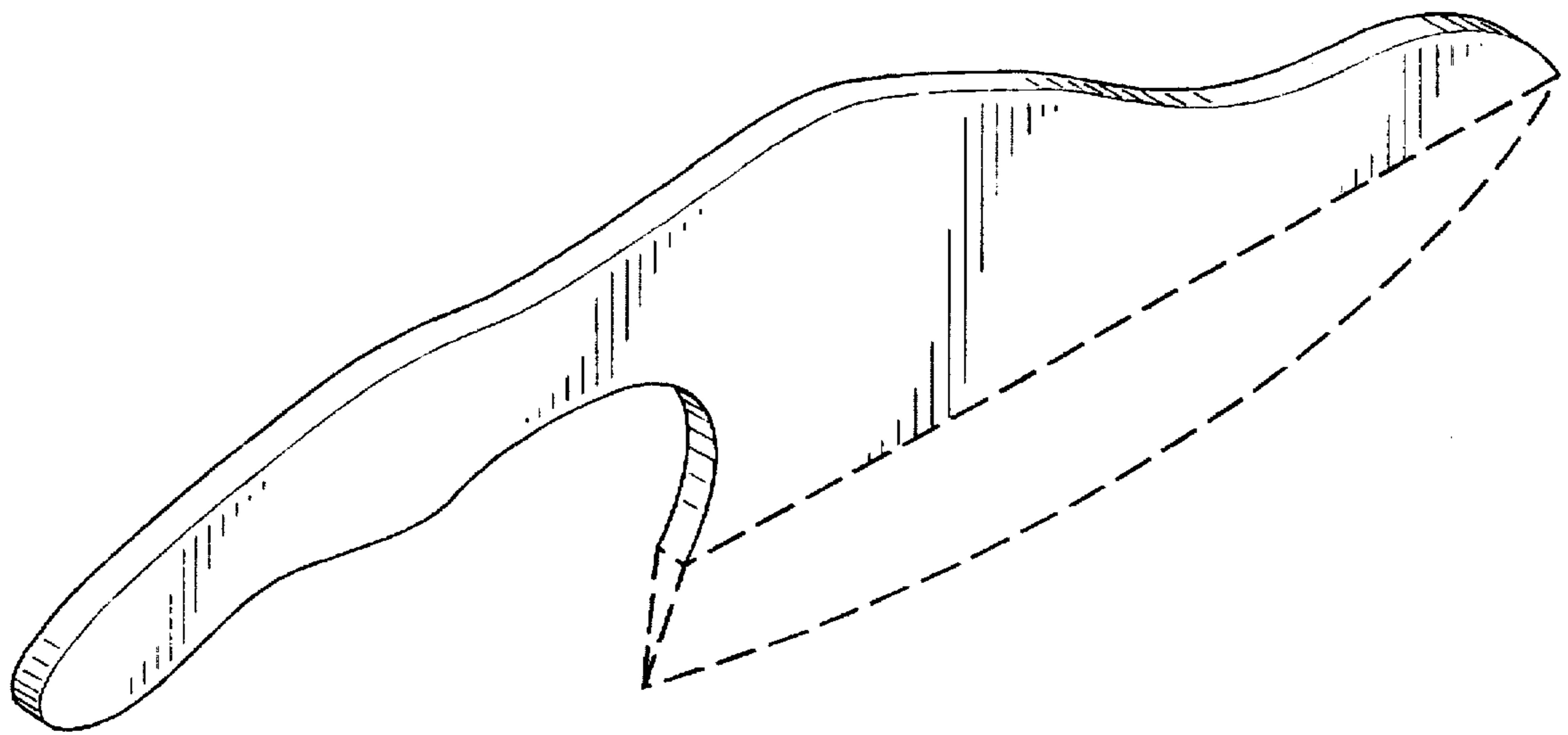


FIG. 1.



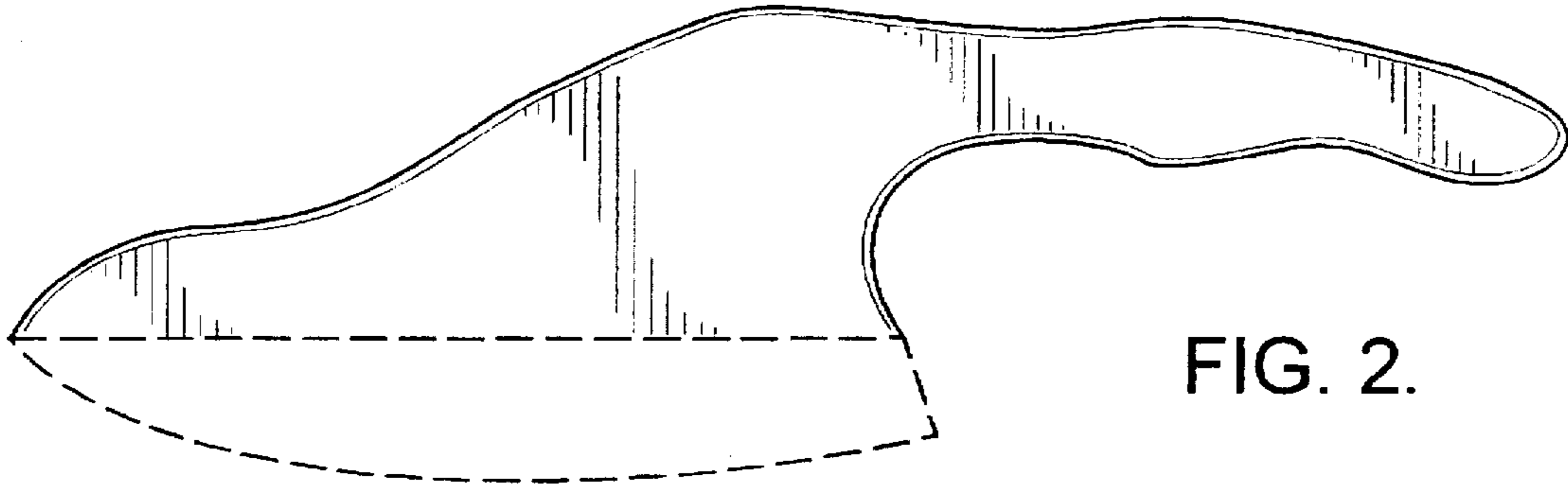


FIG. 2.

FIG. 3.

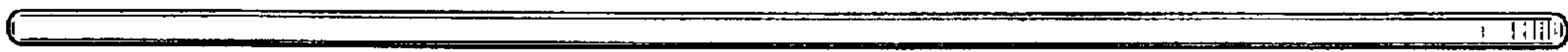


FIG. 4.

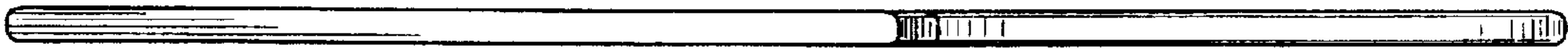


FIG. 5.



FIG. 6.

