



US00D385472S

United States Patent [19]
Godt

[11] **Patent Number: Des. 385,472**
[45] **Date of Patent: **Oct. 28, 1997**

[54] **TOOL HANDLE** 3,890,707 6/1975 Cremonese 30/308
[76] **Inventor: Glen Godt, P.O. Box 2, Fort Smith, N.W.T., Canada, X0E 0P0**
[**] **Term: 14 Years**
[21] **Appl. No.: 42,460**
[22] **Filed: Aug. 10, 1995**
[30] **Foreign Application Priority Data**
Feb. 13, 1995 [CA] Canada 1995-0356
[51] **LOC (6) Cl. 08-06**
[52] **U.S. Cl. D8/107**
[58] **Field of Search D7/395; D8/98, D8/14, 16, 45, 107, 303; 15/235.4, 236.01; 16/110 R, 111 R, DIG. 2; 81/489**

[56] **References Cited**
U.S. PATENT DOCUMENTS
D. 191,060 8/1961 Gorton D7/395
D. 227,544 7/1973 Sumida D8/98
D. 230,697 3/1974 Sullivan D8/300
D. 307,702 5/1990 Hsu D8/107
1,980,087 11/1934 Rast 16/DIG. 2

OTHER PUBLICATIONS
Photocopied Excerpt from the Apr. 27, 1982 issue of the Slave River Journal, Fort Smith, Northwest Territories.
Primary Examiner—Philip S. Hyder
Assistant Examiner—Adir Aronovich
Attorney, Agent, or Firm—Rodman & Rodman

[57] **CLAIM**
The ornamental design for a tool handle, as shown and described.

DESCRIPTION
FIG. 1 is a rear and right side pictorial view of the tool handle;
FIG. 2 is a left elevation view of the tool handle;
FIG. 3 is a top plan view of the tool handle;
FIG. 4 is a bottom plan view of the tool handle;
FIG. 5 is a front elevation view of the tool handle; and,
FIG. 6 is a rear elevation view of the tool handle.
The broken line depiction of a tool in FIGS. 1, 2, 5 and 6 is for illustration purposes only and forms no part of the claimed design.

1 Claim, 2 Drawing Sheets

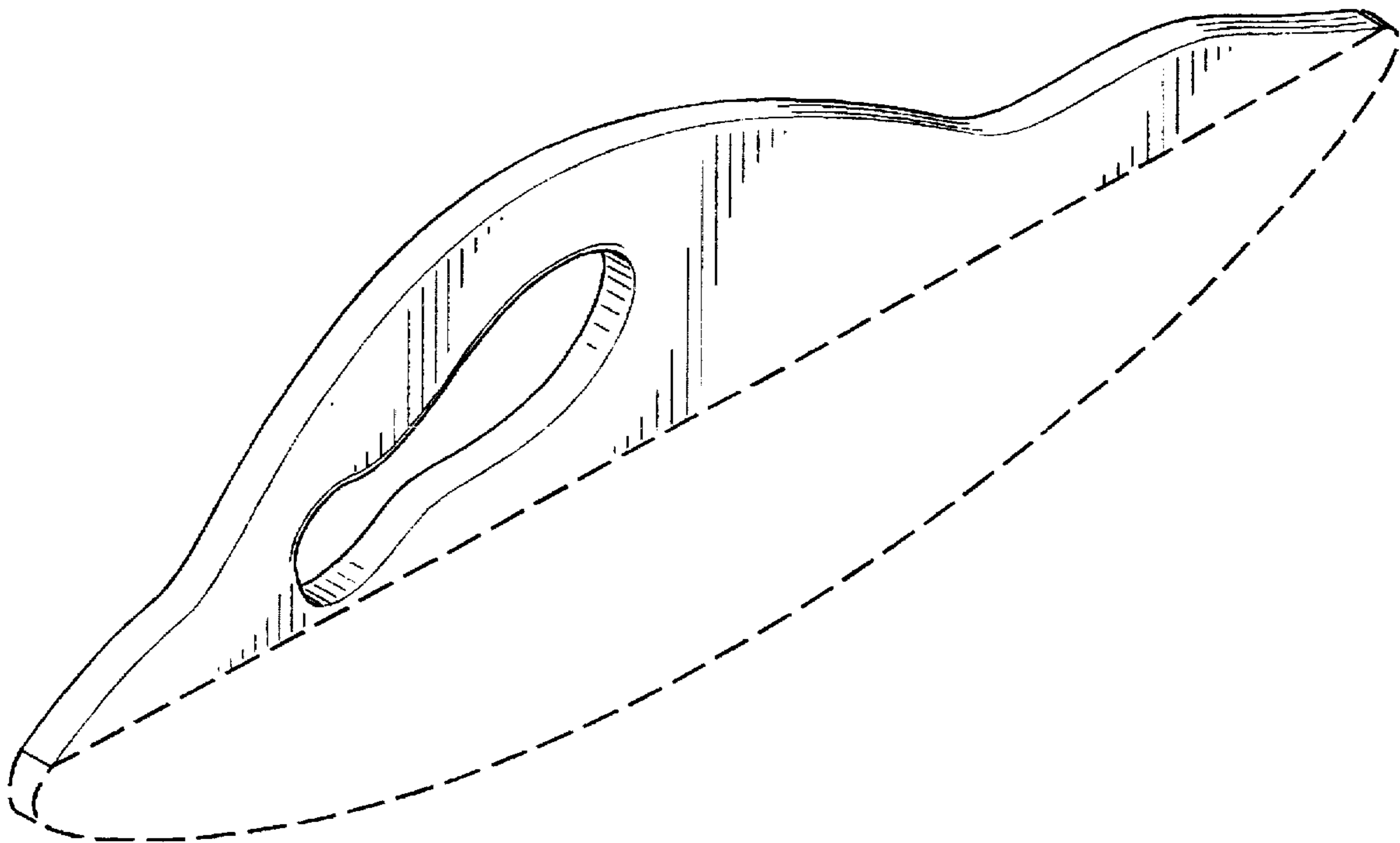


FIG. 1.

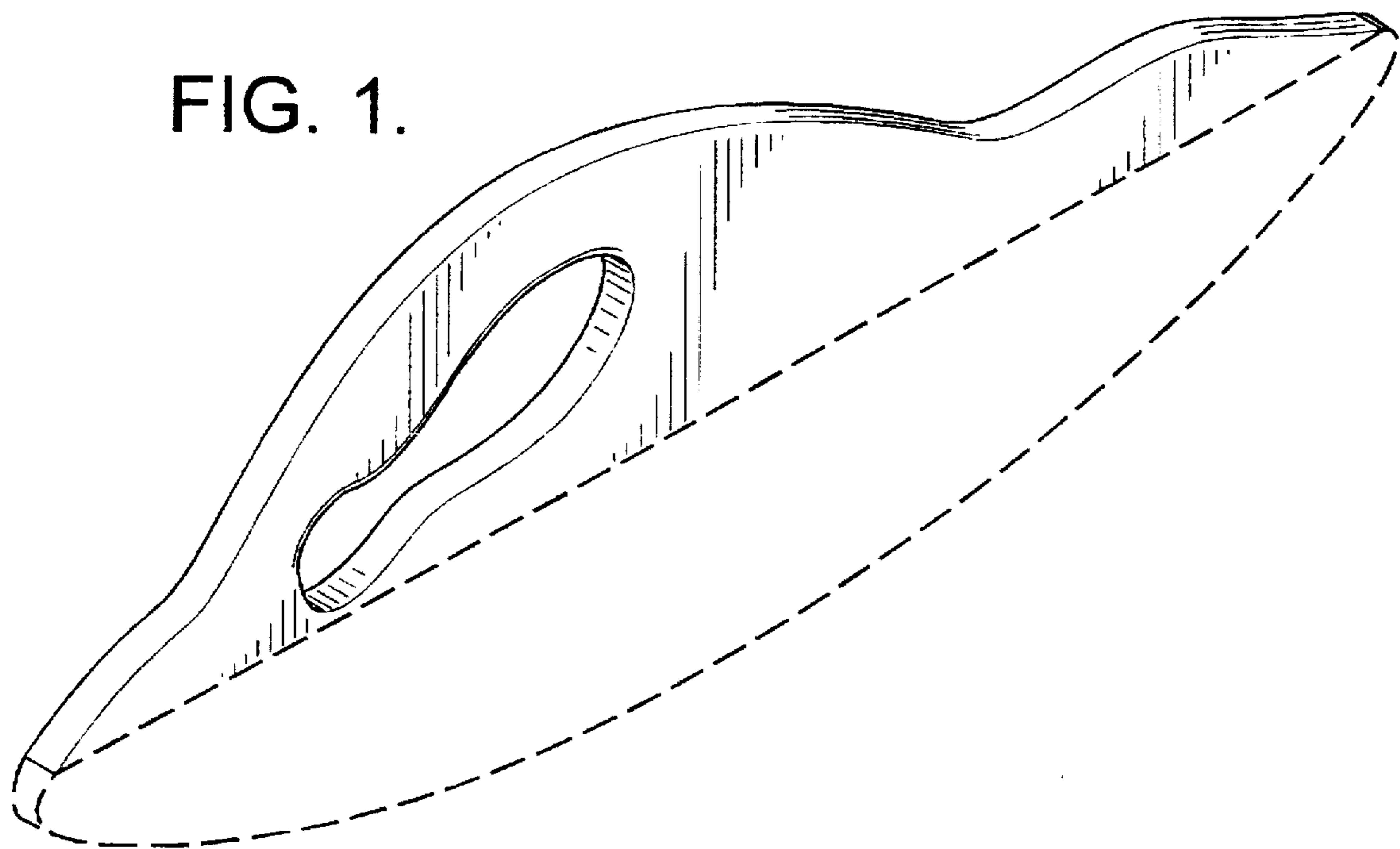


FIG. 2.

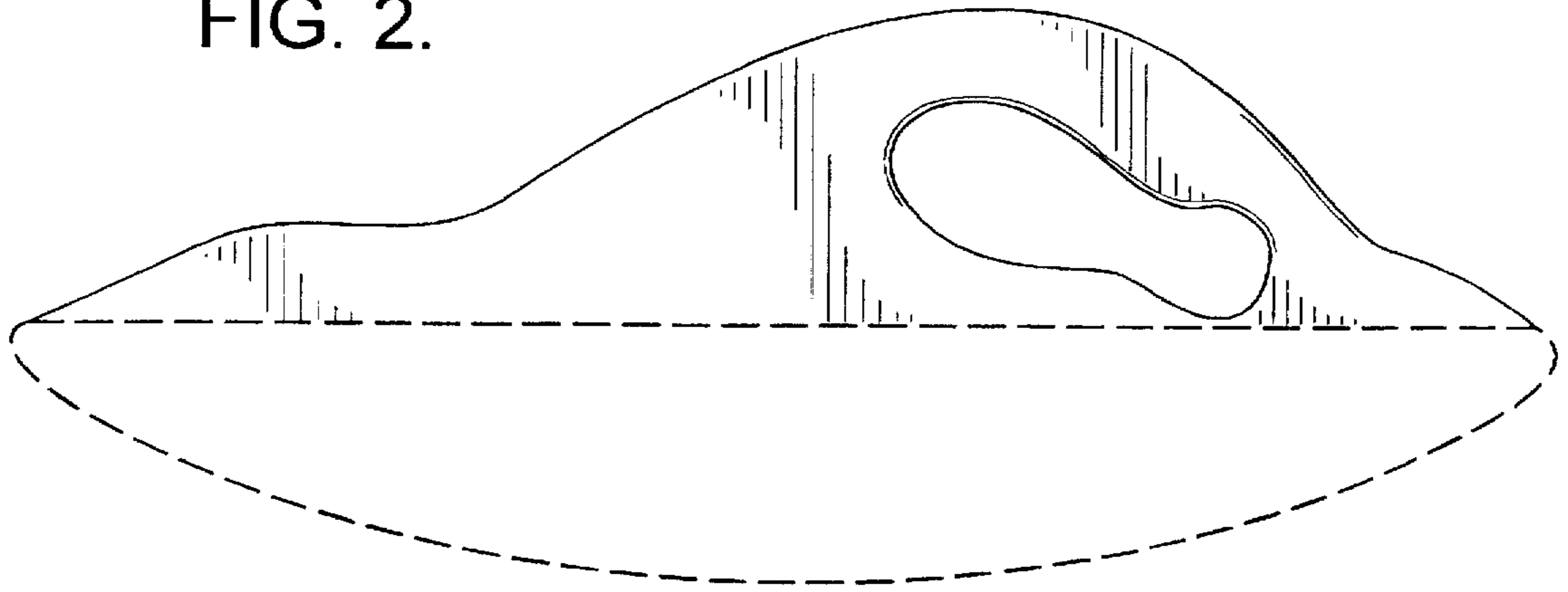


FIG. 3.

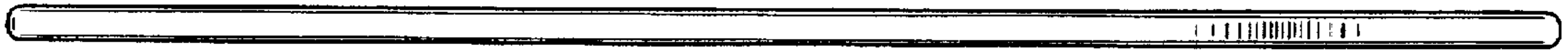


FIG. 4.

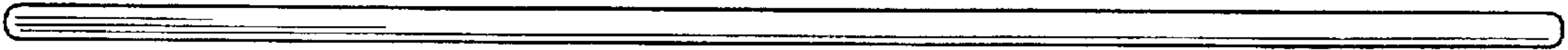


FIG. 5.



FIG. 6.

