



US00D385471S

United States Patent [19]

Seber et al.

[11] Patent Number: **Des. 385,471**

[45] Date of Patent: ****Oct. 28, 1997**

[54] **FOLDING KNIFE**

[75] Inventors: **Brett P. Seber**, Escondido; **Roy L. Helton, Jr.**, San Diego, both of Calif.

[73] Assignee: **Buck Knives, Inc.**, El Cajon, Calif.

[**] Term: **14 Years**

[21] Appl. No.: **28,526**

[22] Filed: **Sep. 16, 1994**

Related U.S. Application Data

[63] Continuation-in-part of Ser. No. 138,703, Oct. 18, 1993, abandoned, Ser. No. 138,670, Oct. 18, 1993, abandoned, Ser. No. 26,042, Jul. 18, 1994, Pat. No. Des. 369,287, and Ser. No. 26,044, Jul. 18, 1994.

[51] **LOC (6) Cl.** **08-03**

[52] **U.S. Cl.** **D8/99; D8/98**

[58] **Field of Search** **D8/98, 99, 105, D8/101, 107; D22/118; 30/151, 153, 152, 154, 155, 156, 157, 158, 159, 160, 161, 162**

[56] References Cited

U.S. PATENT DOCUMENTS

D. 230,696 3/1974 Evrell D8/99

D. 302,934	8/1989	Finn	D8/99
D. 304,154	10/1989	Osterhout	D8/99
D. 321,820	11/1991	Russell	D8/99
D. 336,232	6/1993	Thompson	D8/99
D. 347,374	5/1994	Sakai	D8/99
4,947,552	8/1990	Barnes	30/161

Primary Examiner—Philip S. Hyder
Attorney, Agent, or Firm—Gregory Garmong

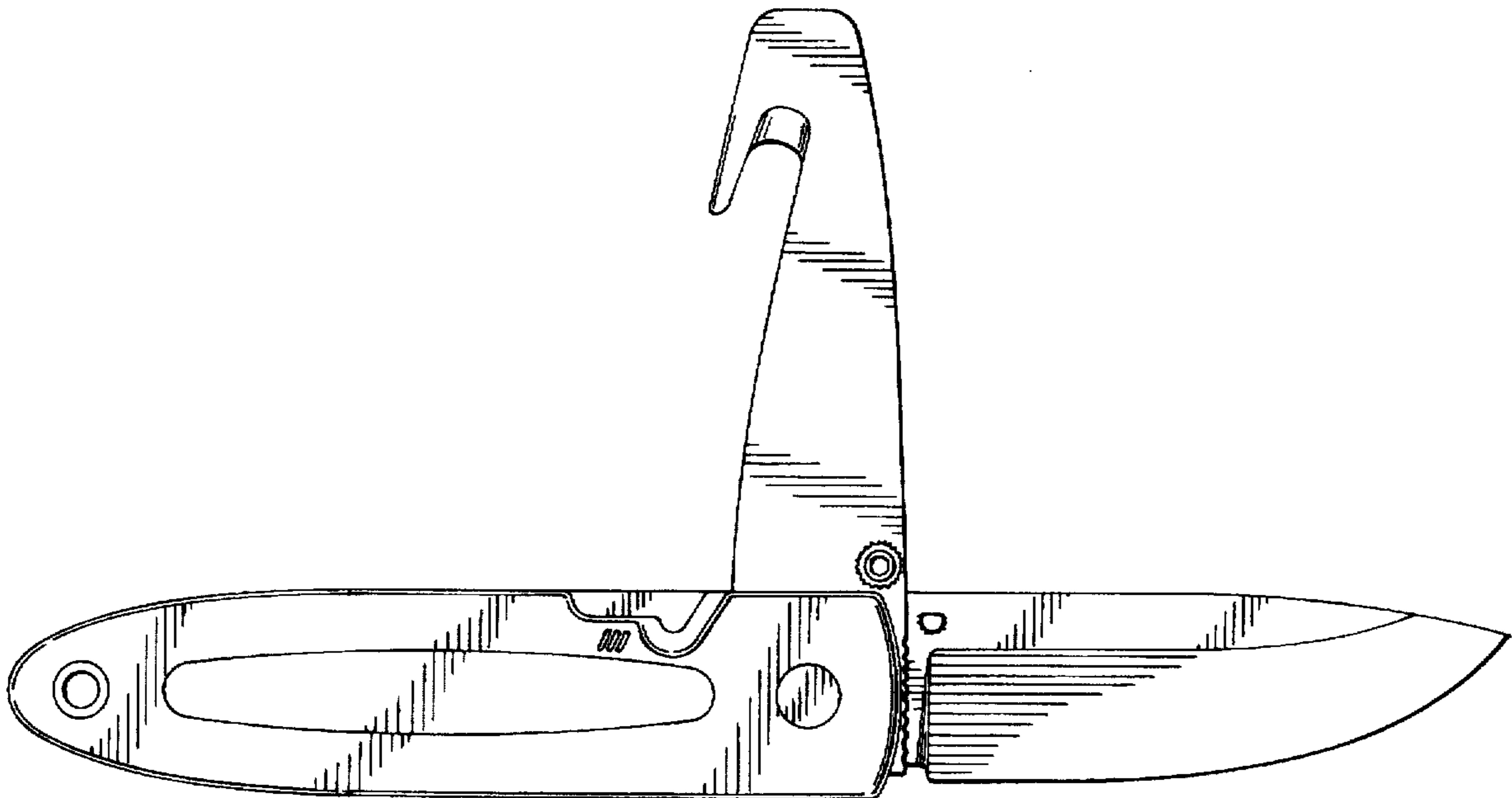
[57] CLAIM

The ornamental design for a folding knife; as shown and described.

DESCRIPTION

- FIG. 1 is a right-side elevational view of a folding knife;
- FIG. 2 is a top view thereof;
- FIG. 3 is a front elevational view thereof;
- FIG. 4 is a left-side elevational view thereof;
- FIG. 5 is a bottom view thereof; and,
- FIG. 6 is a rear elevational view thereof.

1 Claim, 2 Drawing Sheets



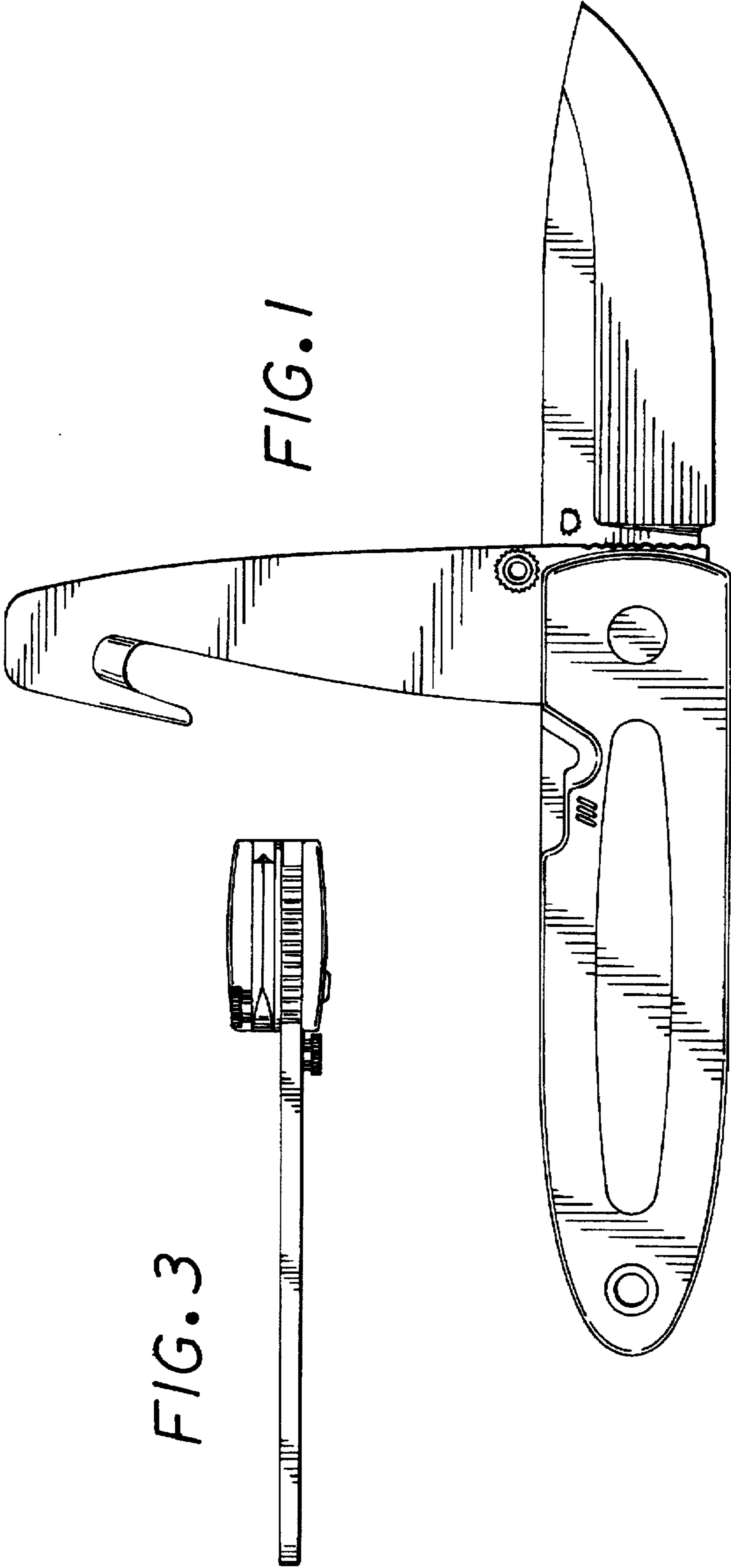
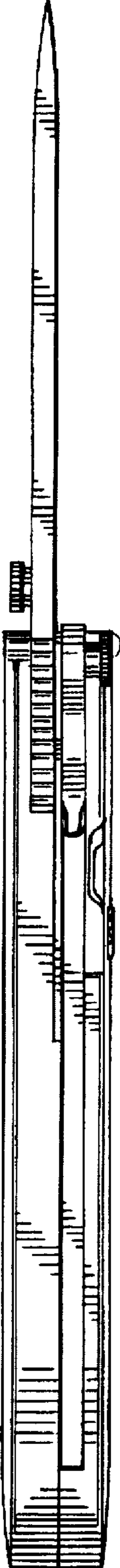


FIG. 3



FIG. 2



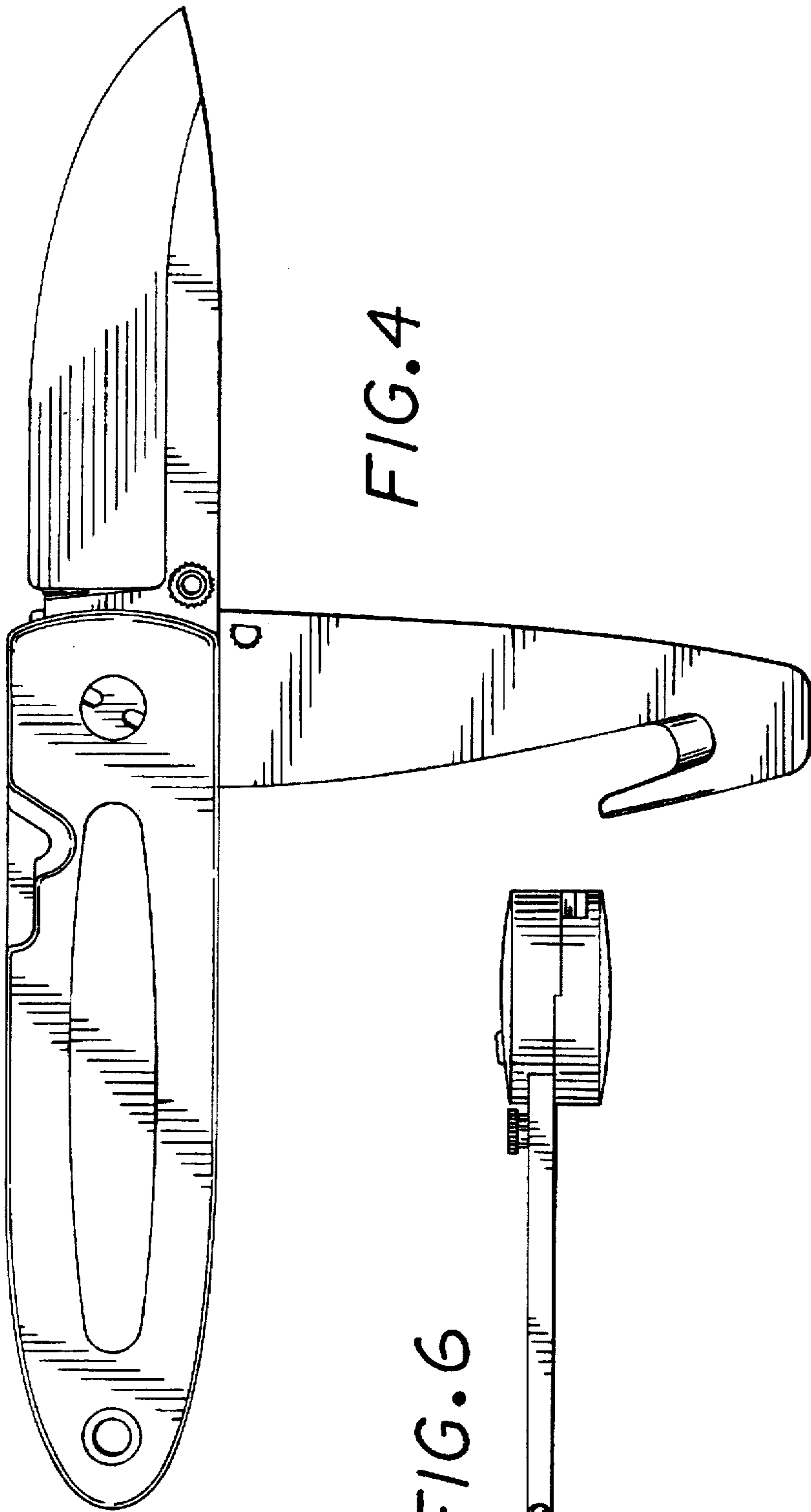


FIG. 4

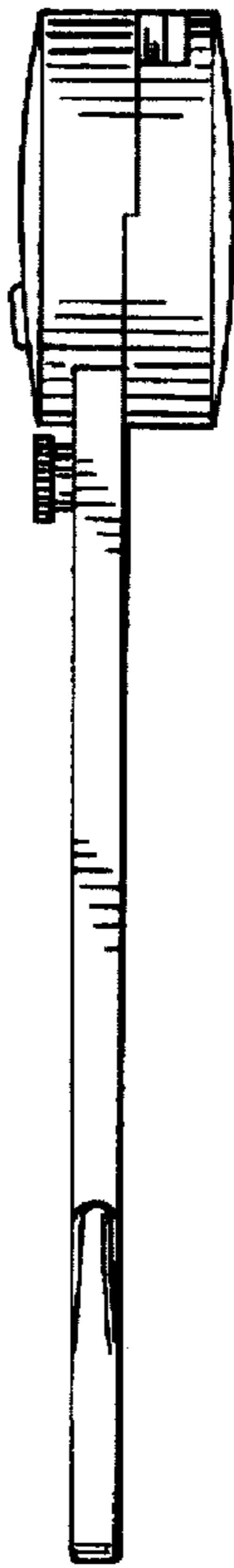


FIG. 6

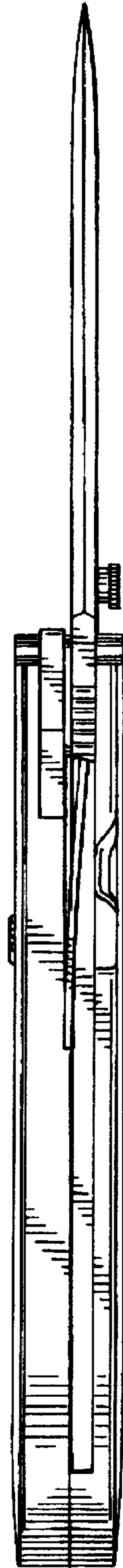


FIG. 5