

US00D385469S

United States Patent [19]

[11] Patent Number: **Des. 385,469**

Borgström

[45] Date of Patent: ****Oct. 28, 1997**

[54] **ADJUSTABLE TIGHTENING AND SPACING DEVICE**

Attorney, Agent, or Firm—Tarolli, Sundheim, Covell, Tummino & Szabo

[75] Inventor: **Lars Borgström**, Malmö, Sweden

[57] **CLAIM**

[73] Assignee: **Bernt Borgstrom Mekanisk Verkstad AB**, Malmö, Sweden

The ornamental design for an adjustable tightening and spacing device, as shown and described.

[**] Term: **14 Years**

DESCRIPTION

[21] Appl. No.: **55,140**

FIG. 1 is a perspective view of the adjustable tightening and spacing device showing the new design;

[22] Filed: **May 30, 1996**

FIG. 2 is another perspective view of the adjustable tightening and spacing device;

[30] **Foreign Application Priority Data**

Dec. 1, 1995 [SE] Sweden 95-2265

FIG. 3 is a bottom plan view of the adjustable tightening and spacing device;

[51] LOC (6) Cl. **08-05**

FIG. 4 is a top plan view of the adjustable tightening and spacing device;

[52] U.S. Cl. **D8/72**

FIG. 5 is a side elevational view of the adjustable tightening and spacing device;

[58] Field of Search D8/71, 72, 73, D8/354; 24/514; 29/257; 83/745; 242/404.2; 269/143, 249; 451/365

FIG. 6 is an opposite side elevational view of the adjustable tightening and spacing device;

[56] **References Cited**

U.S. PATENT DOCUMENTS

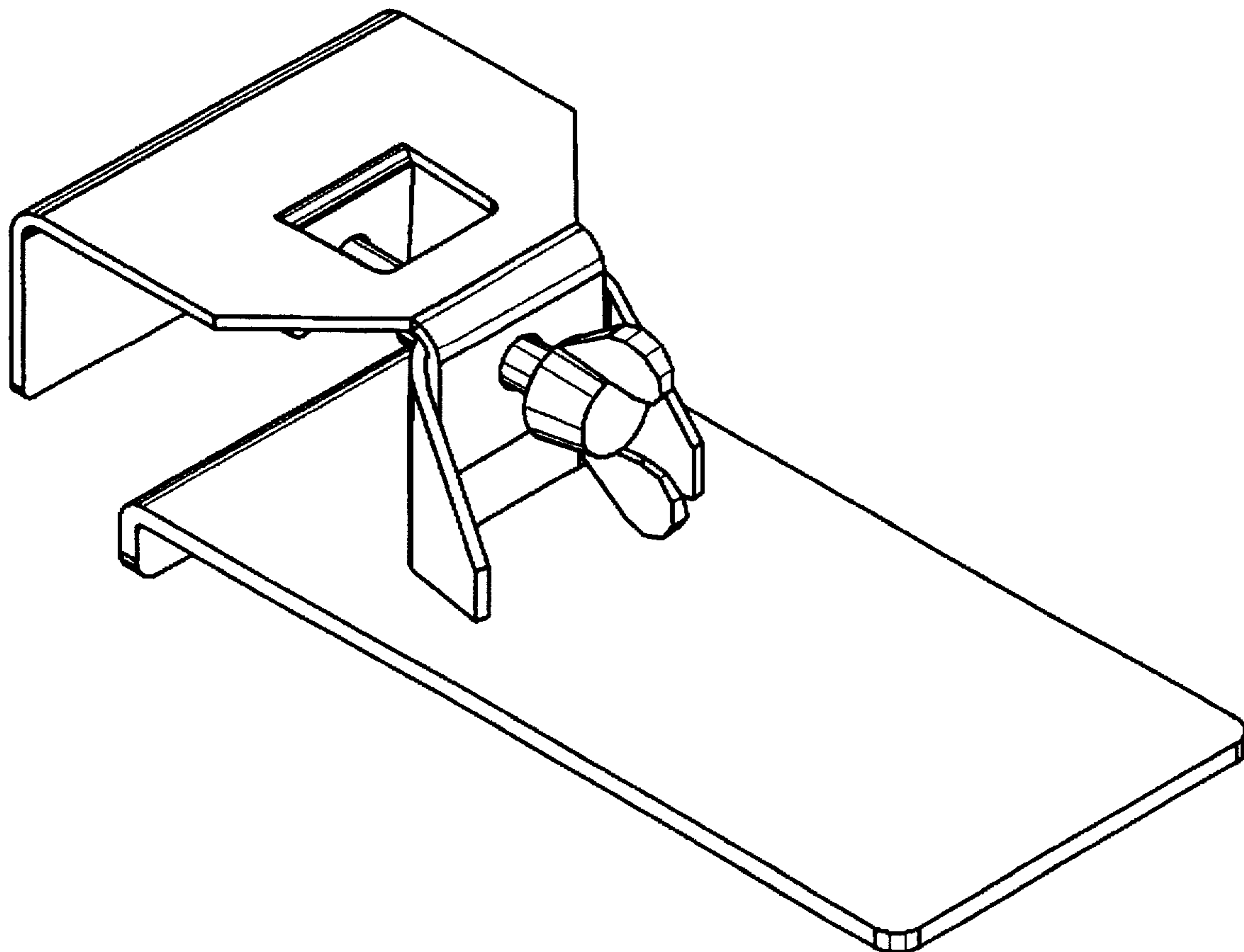
D. 349,226 8/1994 Ruyts D8/74

FIG. 7 is a front elevational view of the adjustable tightening and spacing device; and,

FIG. 8 is a rear elevational view of the adjustable tightening and spacing device.

Primary Examiner—Antoine Duval Davis

1 Claim, 4 Drawing Sheets



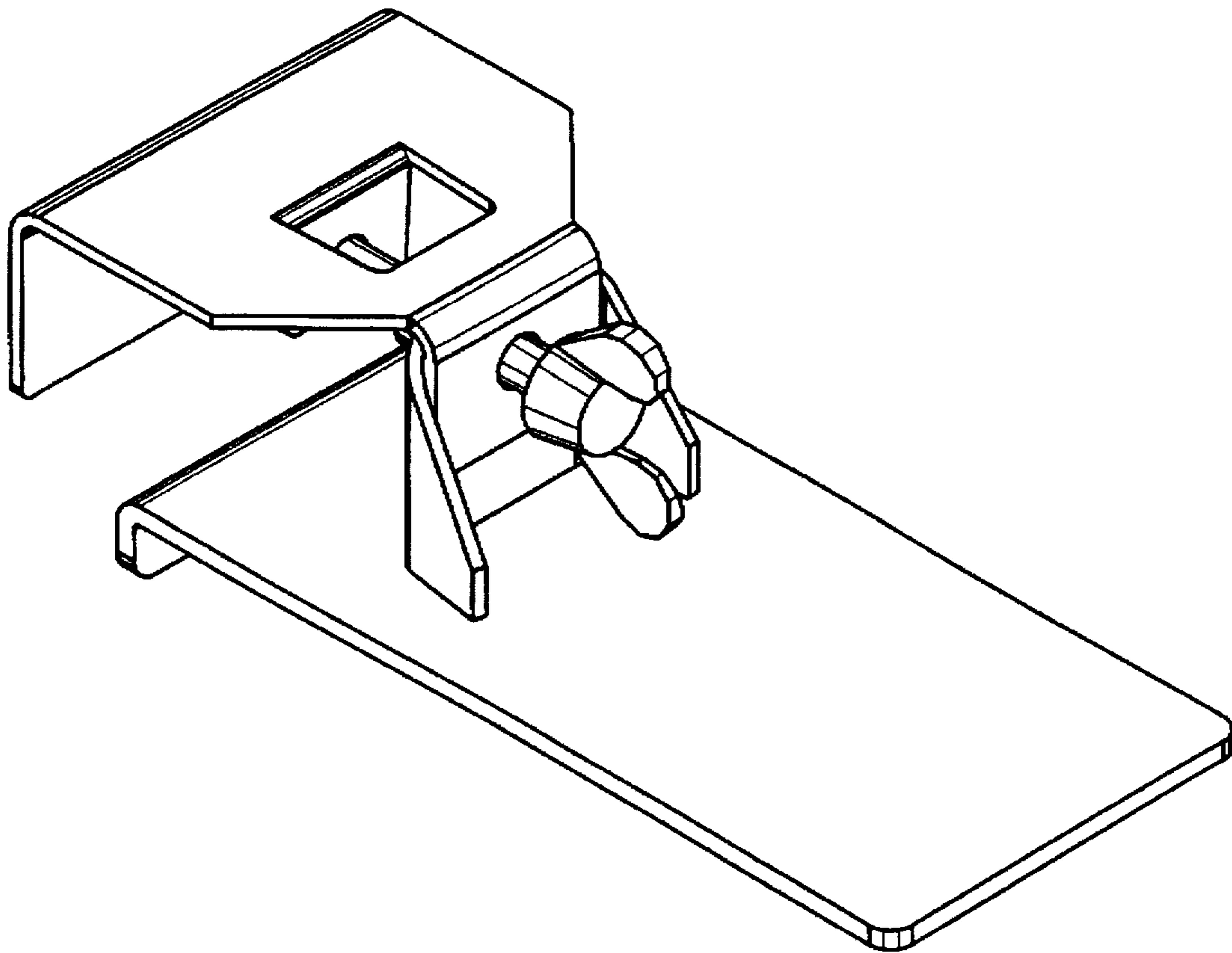


FIG. 1

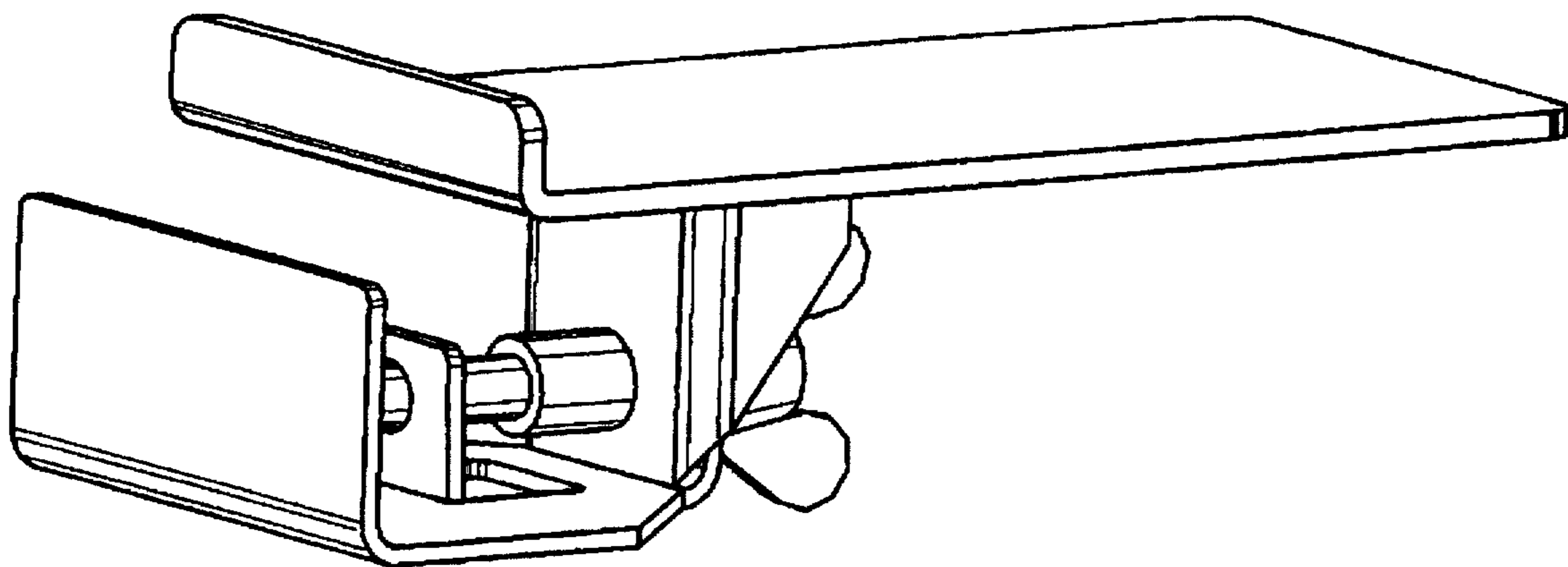


FIG. 2

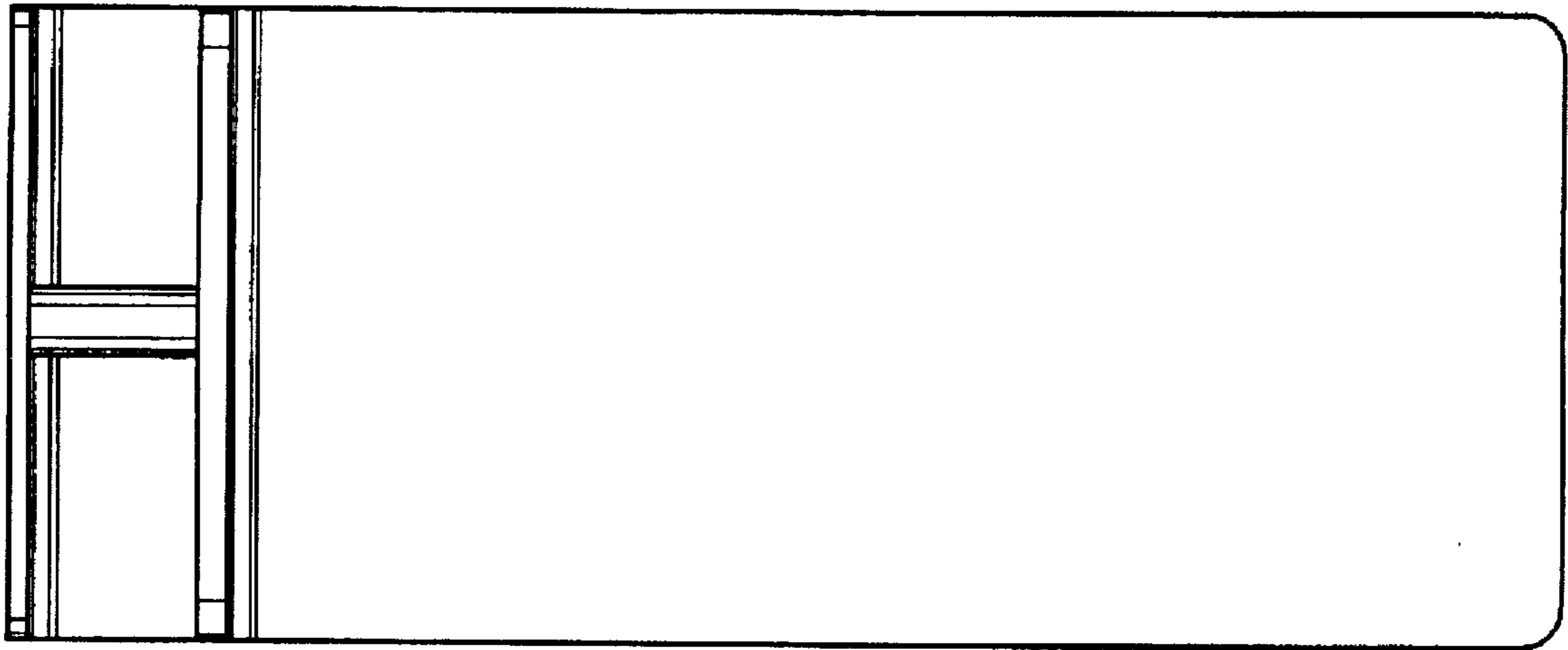


FIG. 3

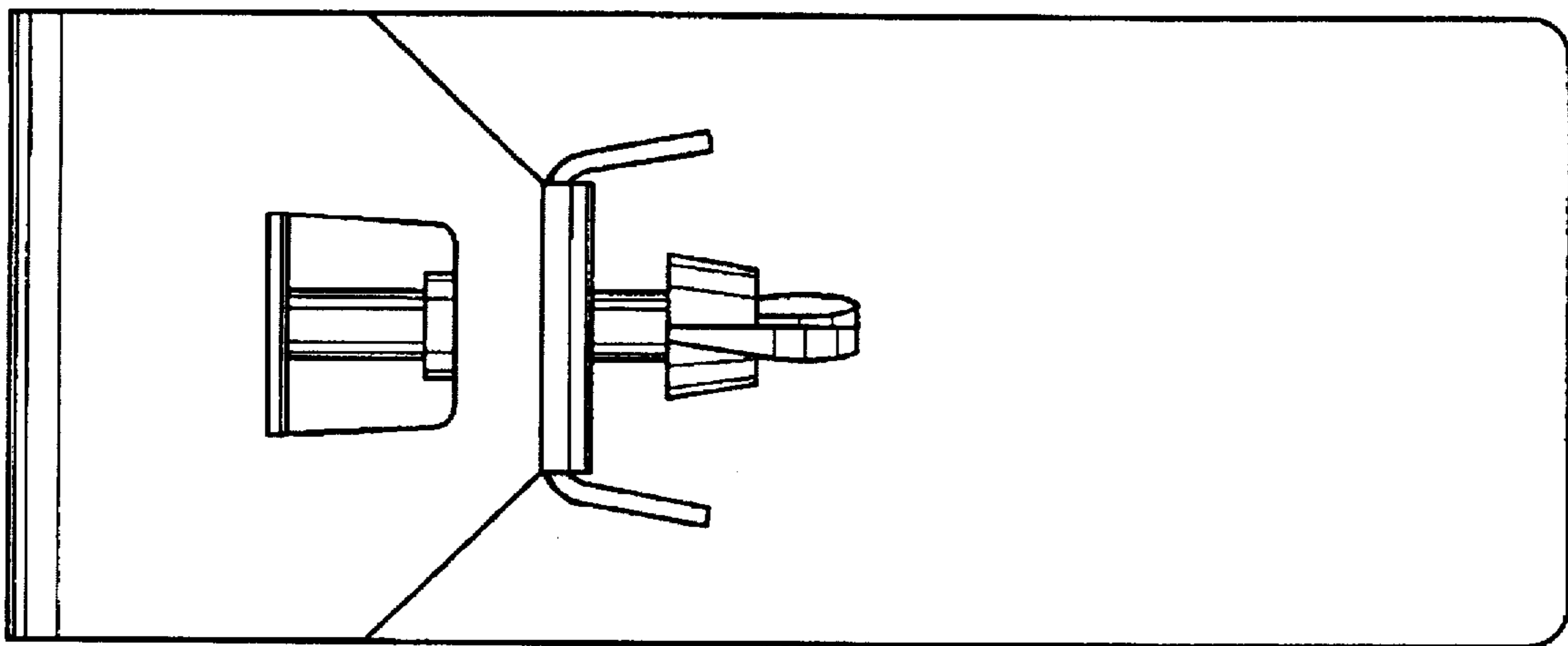


FIG. 4

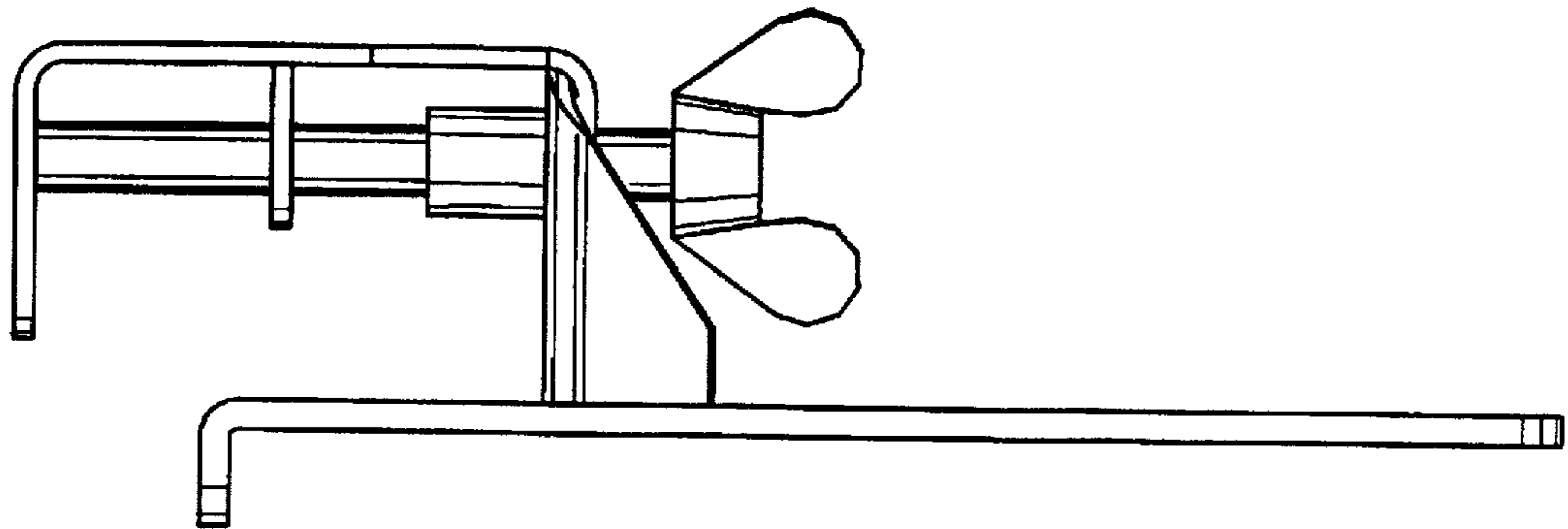


FIG. 5

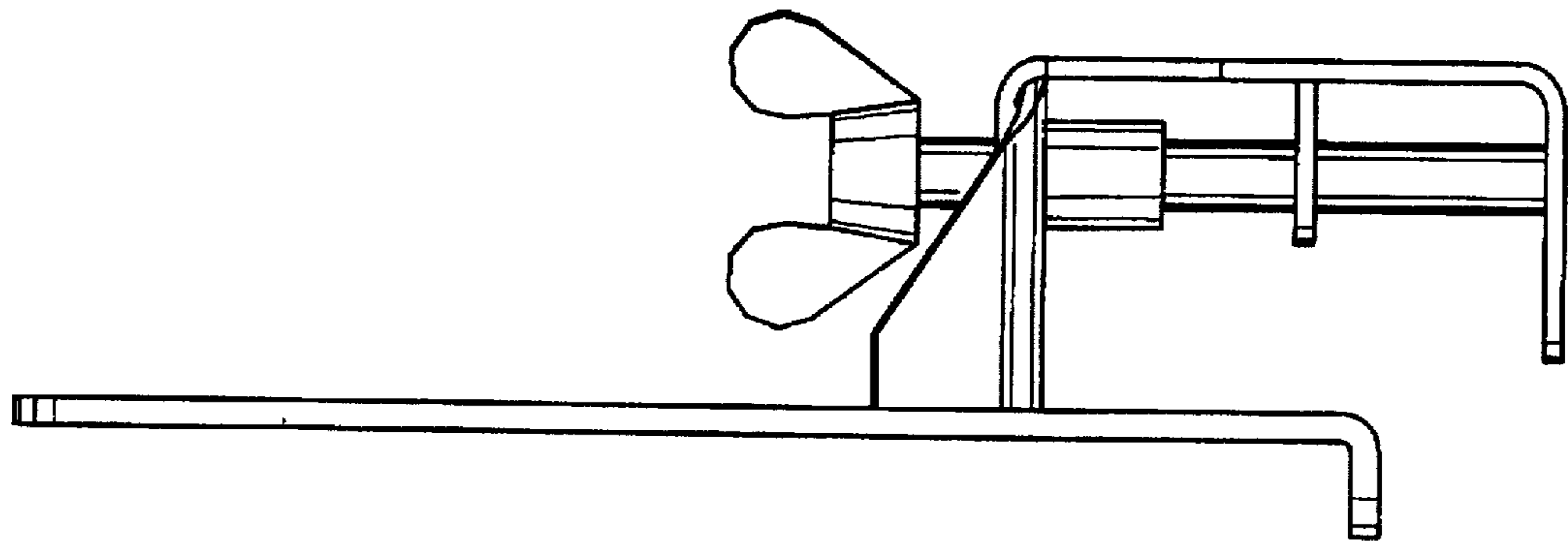


FIG. 6

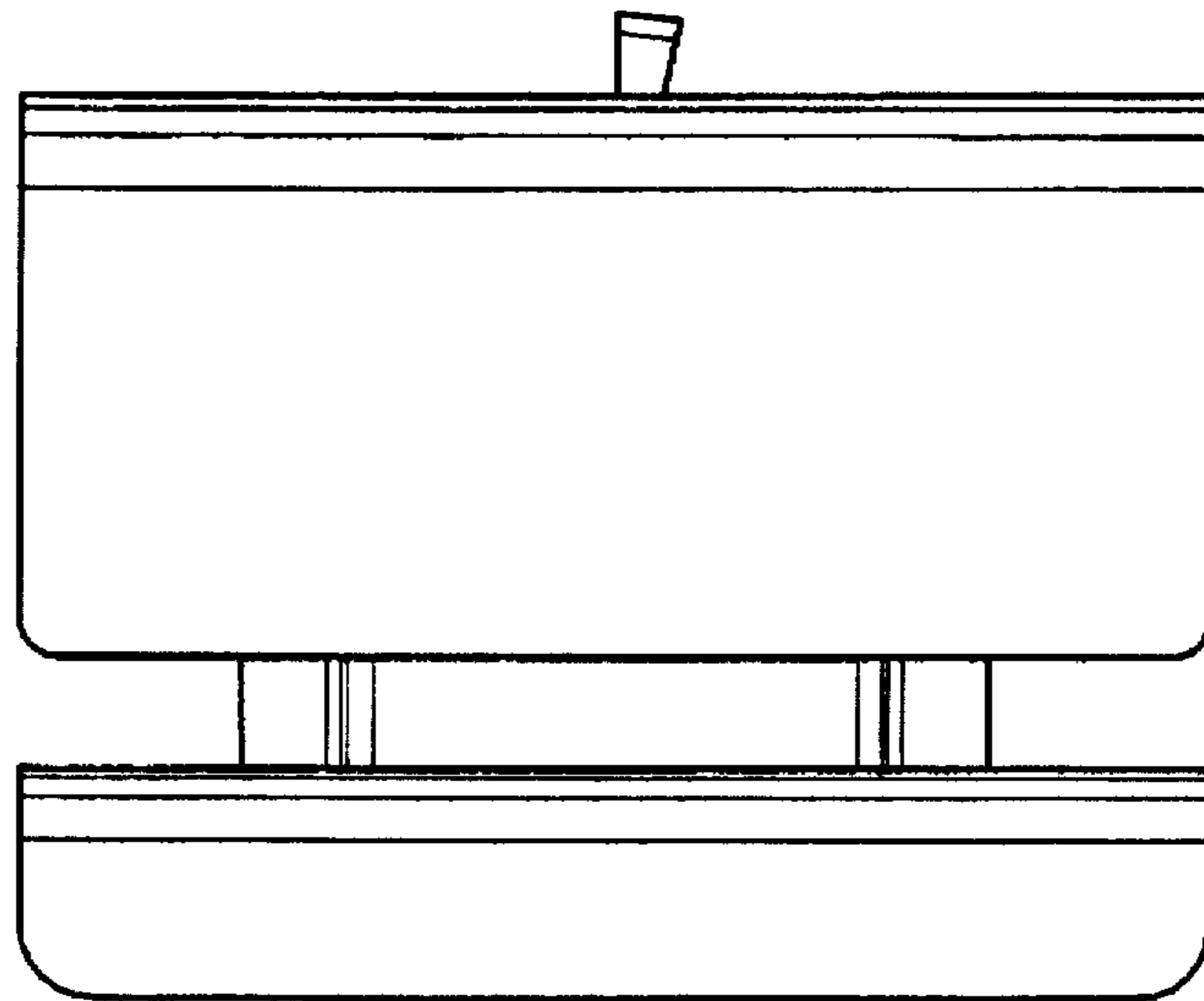


FIG. 7

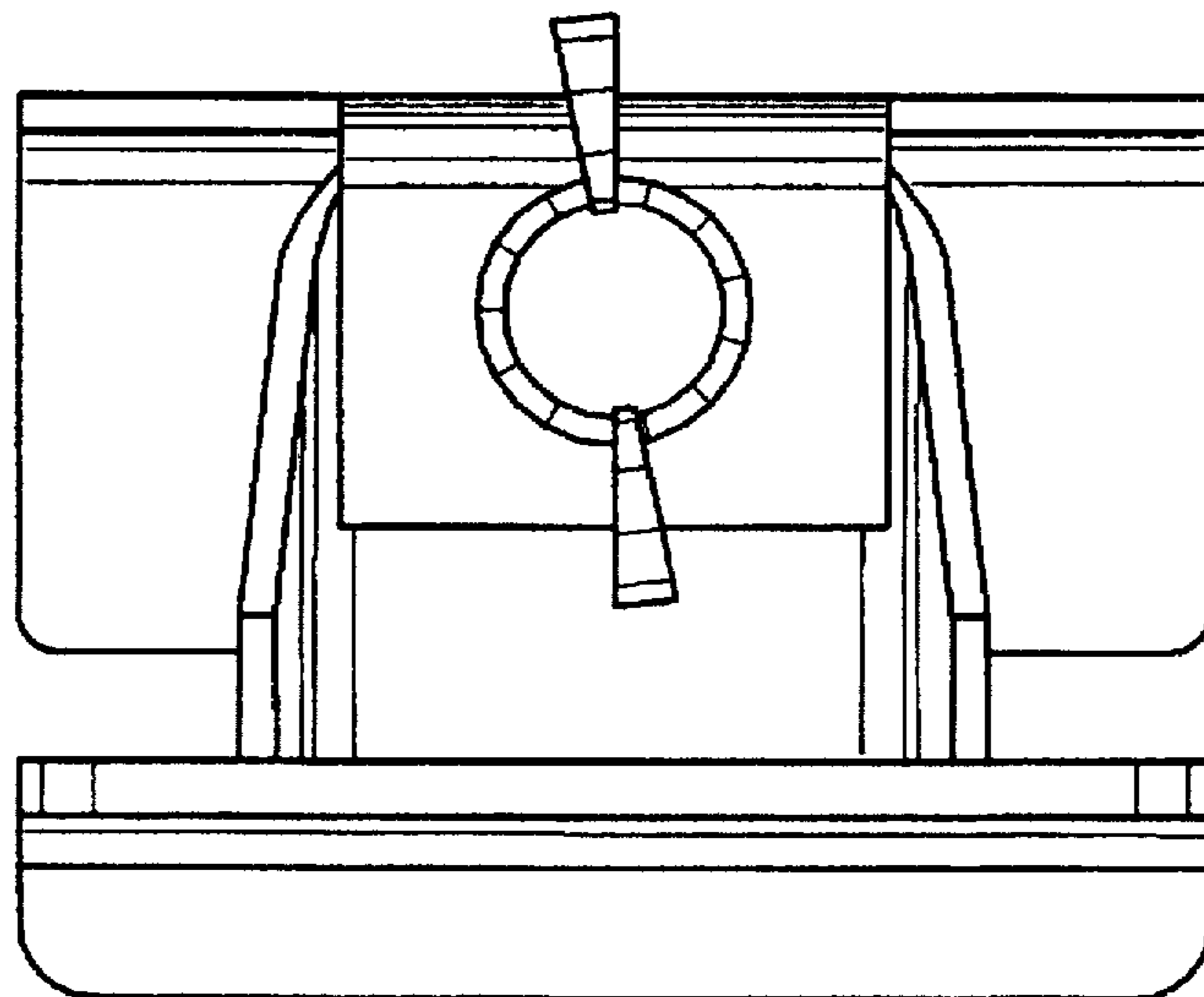


FIG. 8