



US00D385464S

United States Patent [19]

[11] Patent Number: **Des. 385,464**

Stern et al.

[45] Date of Patent: ****Oct. 28, 1997**

[54] **CUP HOLDER ASSEMBLY**

[76] Inventors: **John L. Stern**, 6 Underhill, Mill Valley, Calif. 94941; **Keith A. Hippely**, 514 Harkness St., Manhattan Beach, Calif. 90260

[**] Term: **14 Years**

[21] Appl. No.: **46,017**

[22] Filed: **Nov. 6, 1995**

[51] LOC (6) Cl. **07-07**

[52] U.S. Cl. **D7/602**

[58] Field of Search D7/602, 603; D12/419; 211/71, 74, 75; 248/311.2

2,202,365	5/1940	Feman .	
2,370,822	3/1945	Taurman	211/75 X
2,649,270	8/1953	Franks .	
2,754,078	7/1956	Koger .	
2,903,225	9/1959	Weinstein .	
3,233,858	2/1966	Benjamin .	
3,533,590	10/1970	Swire .	
3,807,674	4/1974	Justen .	
3,881,677	5/1975	Ihlenfeld .	
4,133,433	1/1979	Medina .	
4,191,350	3/1980	Ormond .	
4,434,961	3/1984	Hoye .	
4,557,452	12/1985	Khuong .	
4,867,500	9/1989	Oosterbaan et al. .	

Primary Examiner—Brian N. Vinson
Attorney, Agent, or Firm—Lyon & Lyon LLP

[56] **References Cited**

U.S. PATENT DOCUMENTS

D. 26,991	4/1897	Hoyt .
D. 159,514	8/1950	Perdmutter .
D. 238,488	1/1976	Vinson .
D. 282,702	2/1986	Maus .
D. 294,136	2/1988	Eide .
D. 307,852	5/1990	Clark .
D. 311,105	10/1990	Stern .
D. 342,871	1/1994	Stern .
387,922	8/1888	Schooley .
984,225	2/1911	Knapp .
1,079,192	11/1913	Sowden .
1,546,739	7/1925	Le Lande .
1,584,722	5/1926	Bohmbach .
2,168,136	8/1939	Playfair .

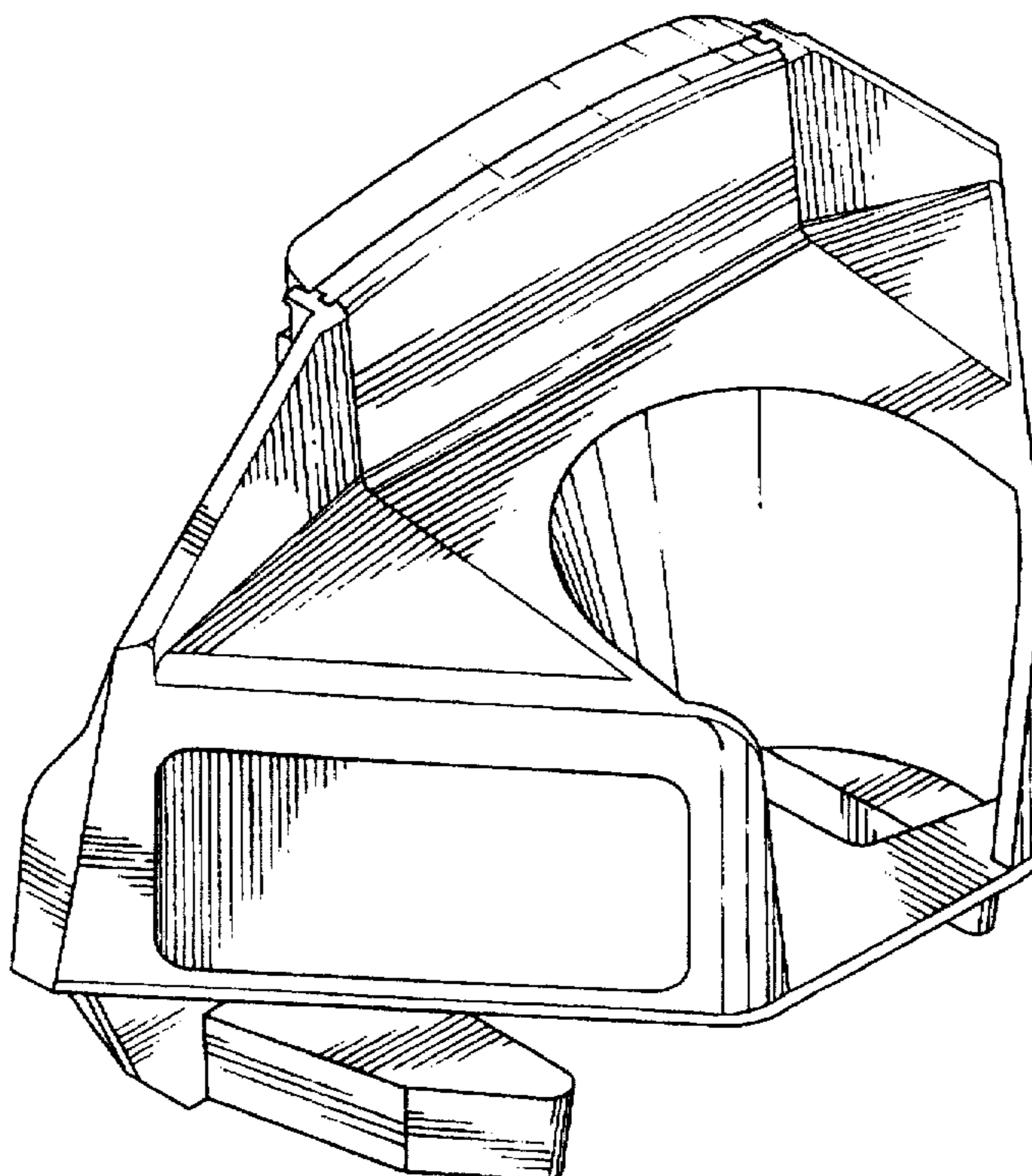
[57] **CLAIM**

The ornamental design for a cup holder assembly, as shown.

DESCRIPTION

FIG. 1 is a top, front, and left side perspective view of a cup holder assembly showing our new design;
FIG. 2 is an exploded top, front, and left side perspective view thereof;
FIG. 3 is an enlarged front elevational view thereof;
FIG. 4 is an enlarged right side elevational view thereof, the left side being a mirror image of that shown;
FIG. 5 is an enlarged top plan view thereof;
FIG. 6 is an enlarged rear elevational view thereof; and,
FIG. 7 is an enlarged bottom plan view thereof.

1 Claim, 4 Drawing Sheets



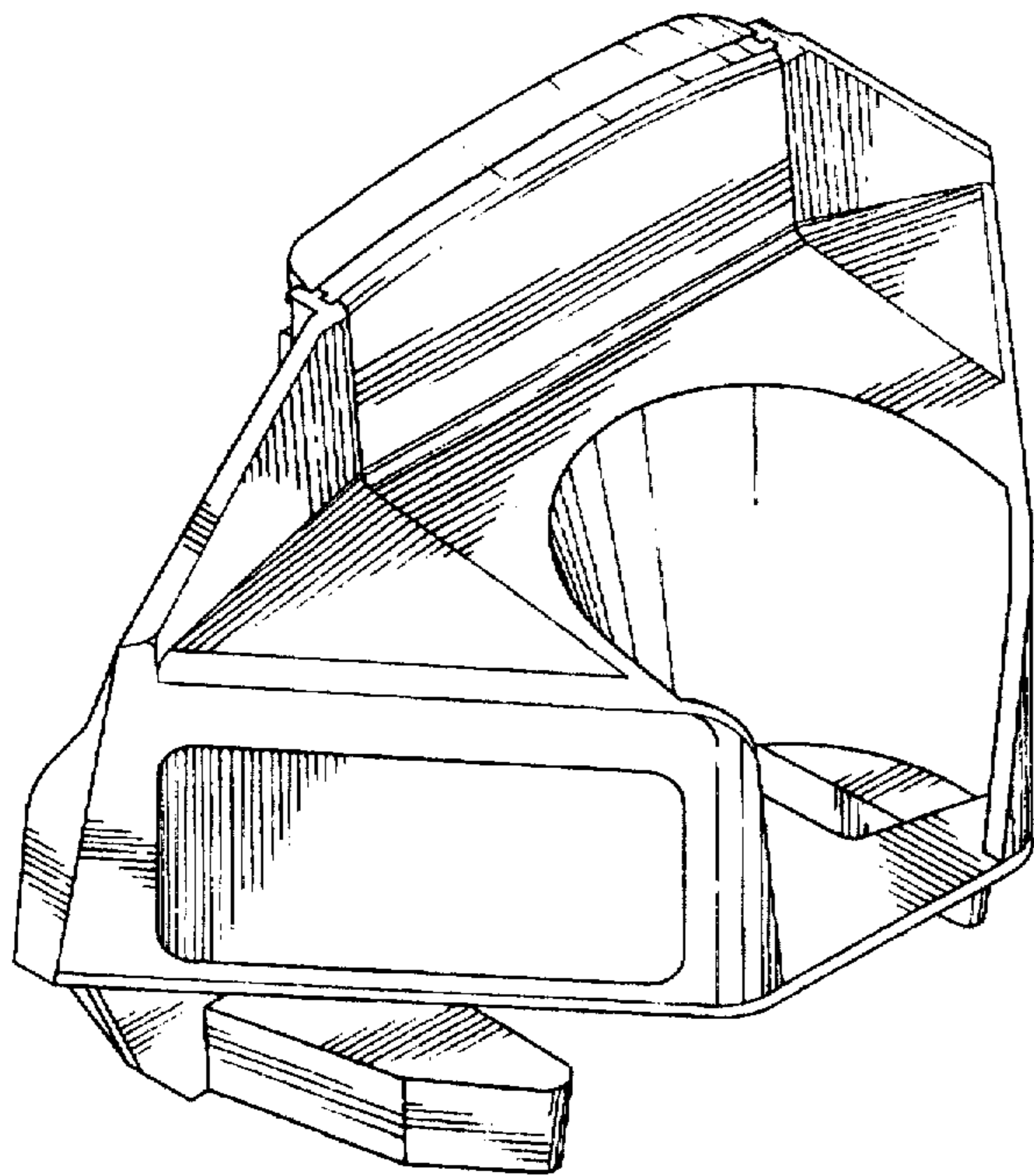


FIG. 1

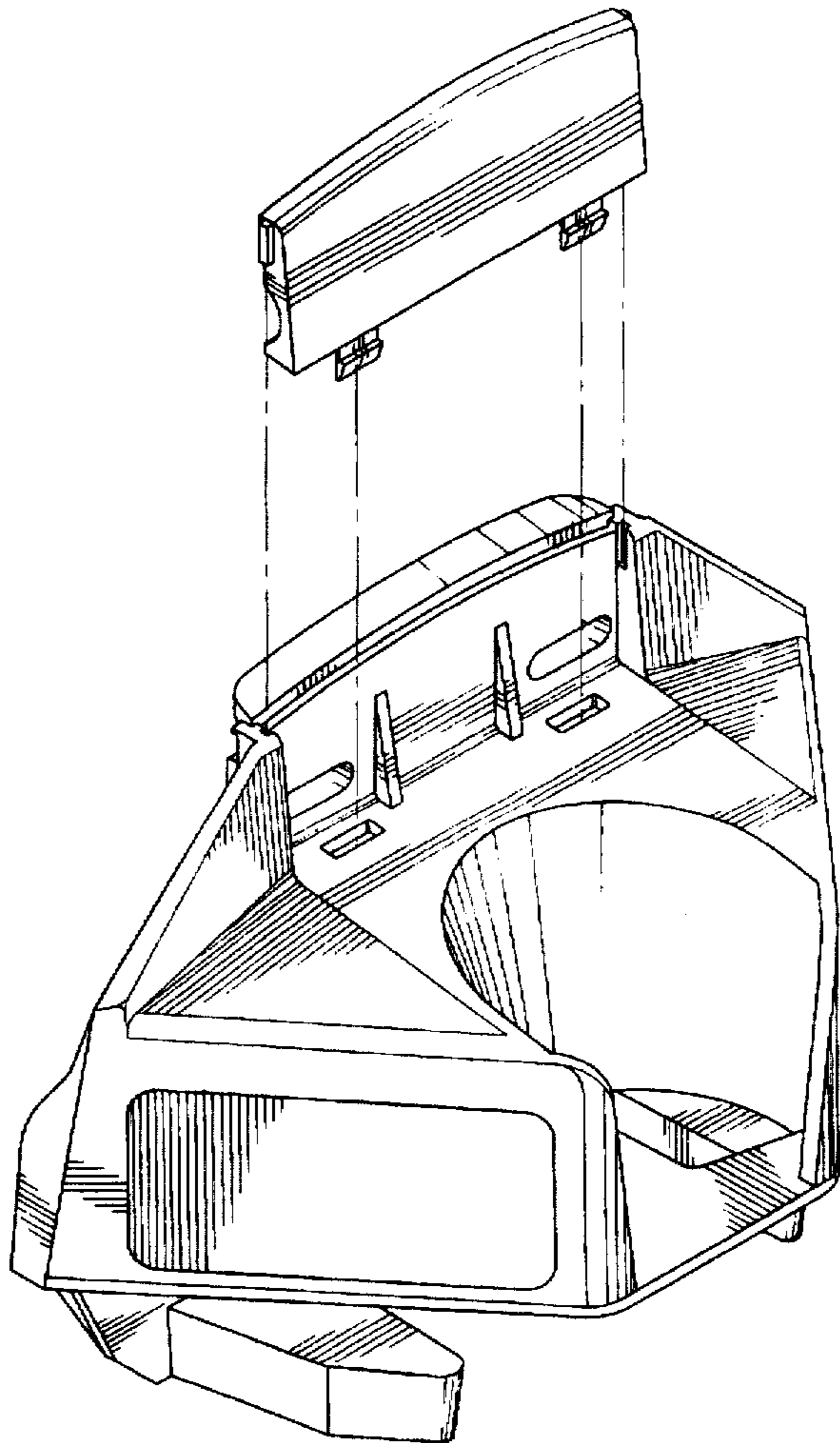


FIG. 2

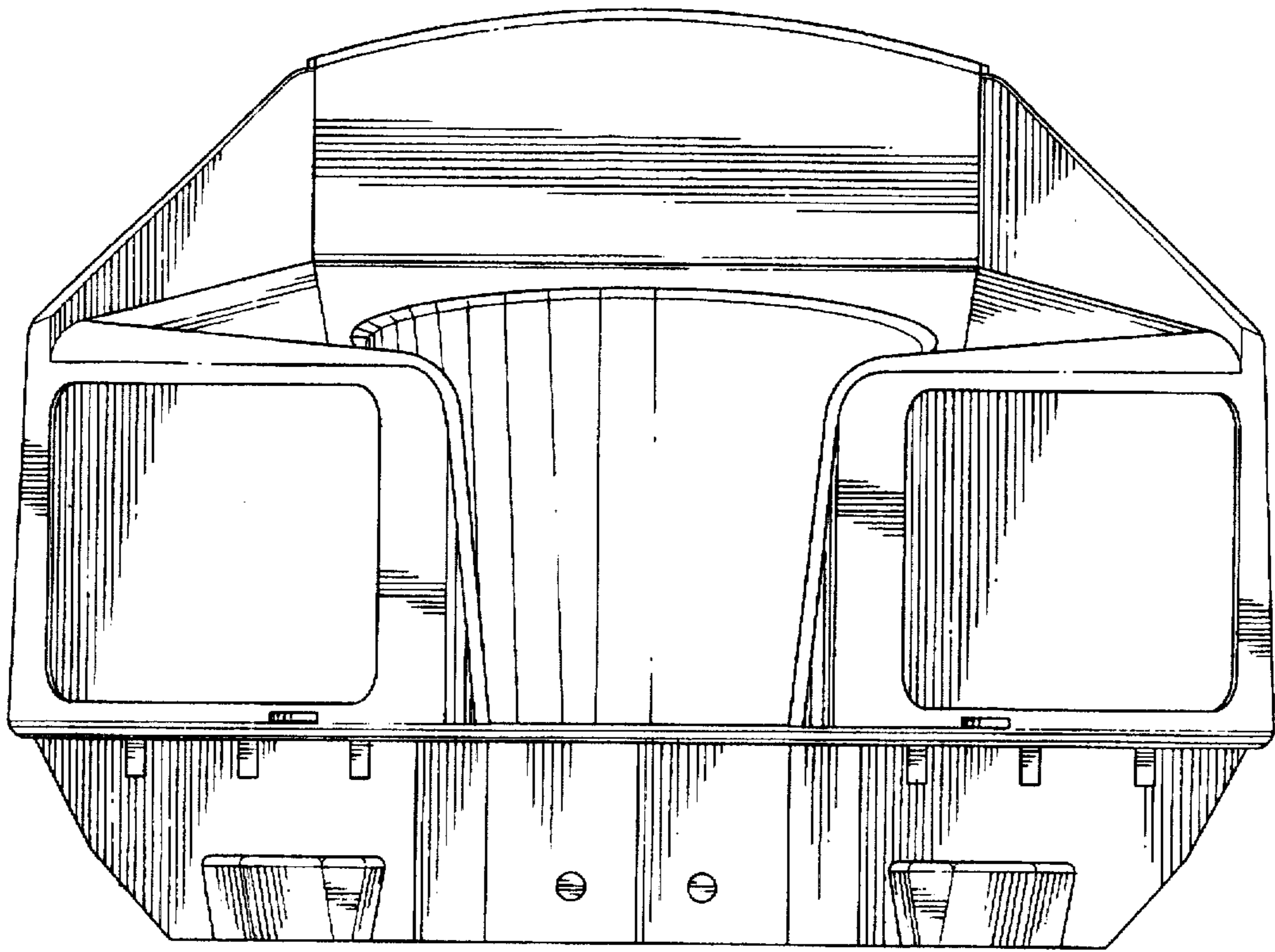


FIG. 3

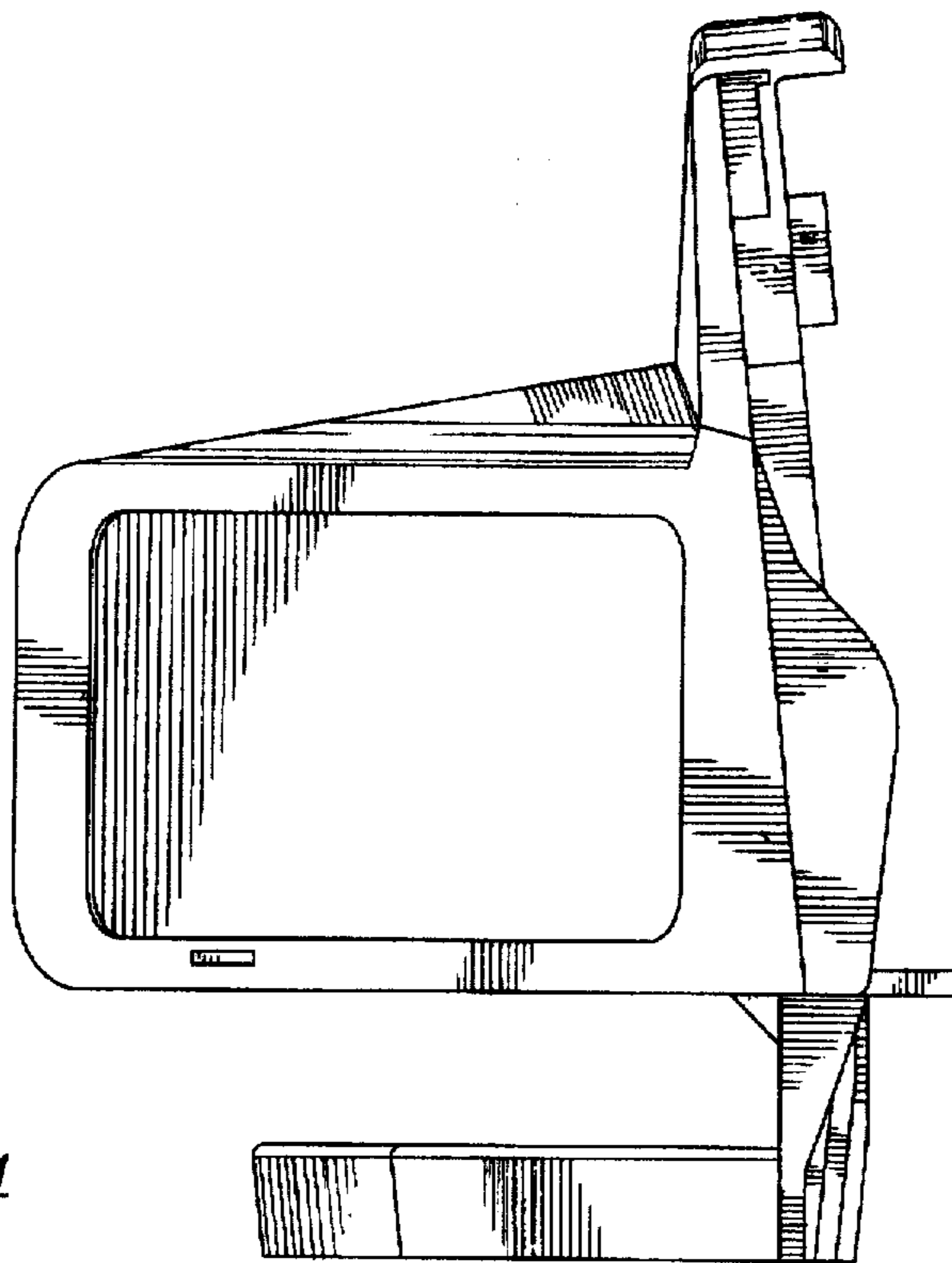


FIG. 4

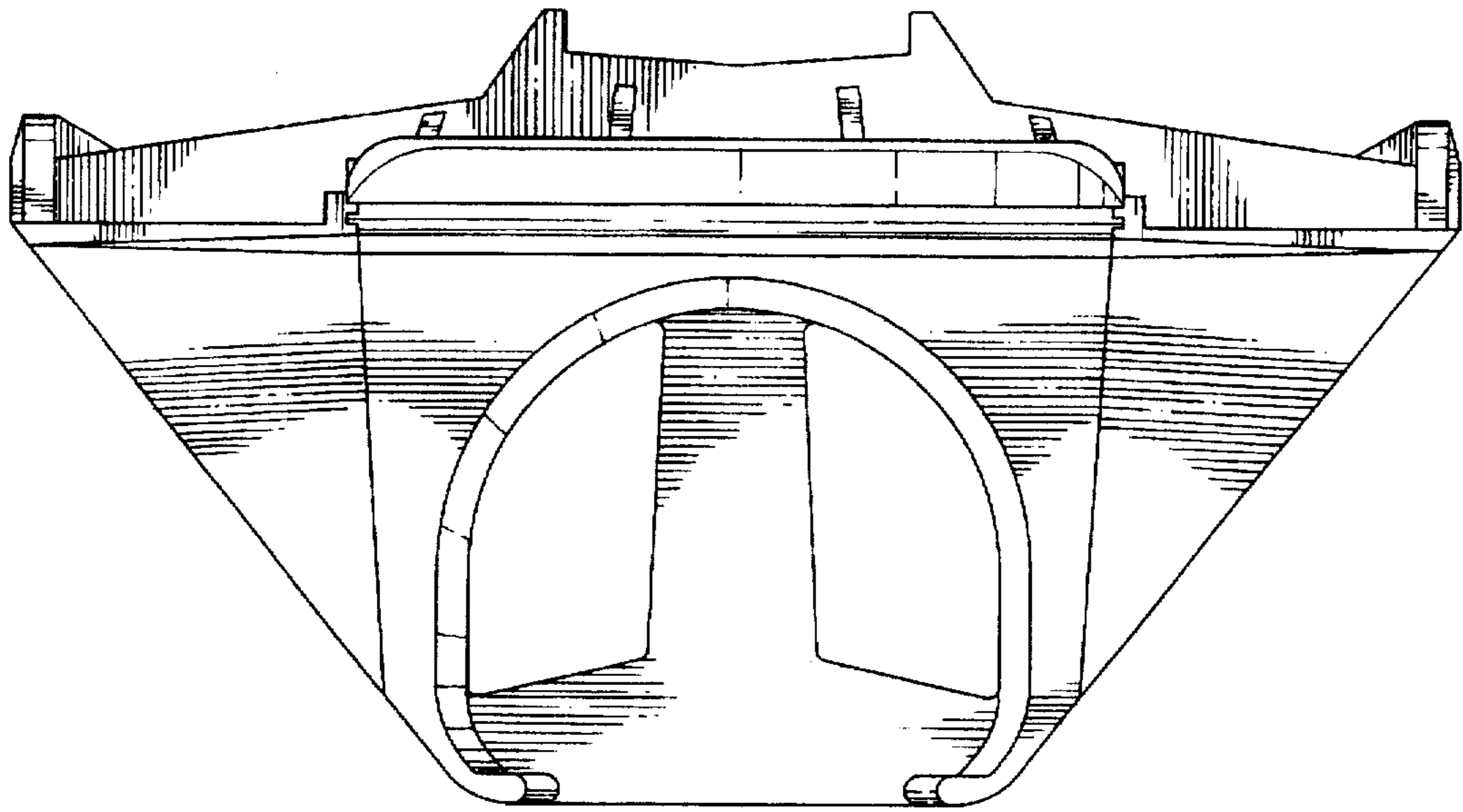


FIG. 5

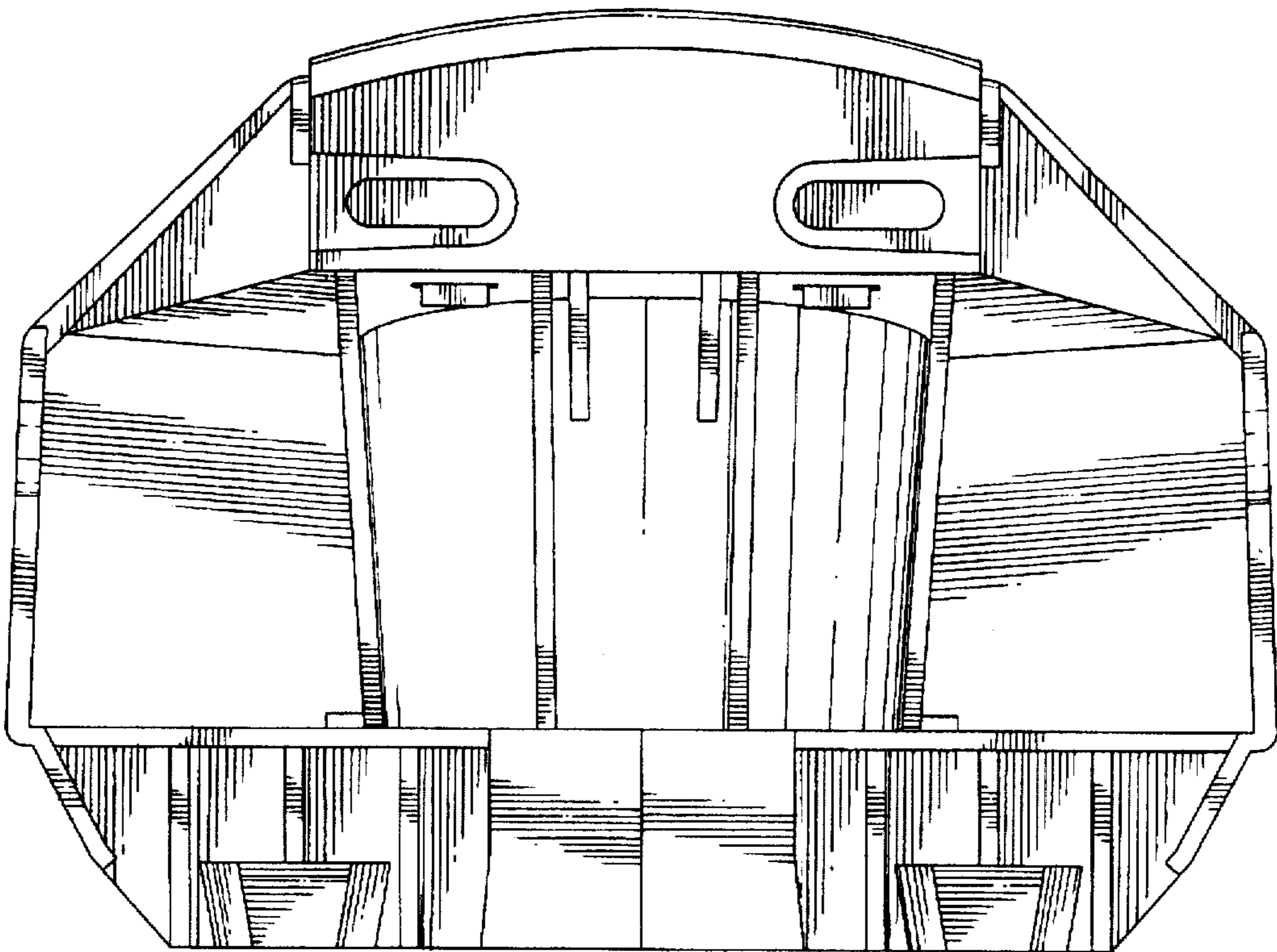


FIG. 6

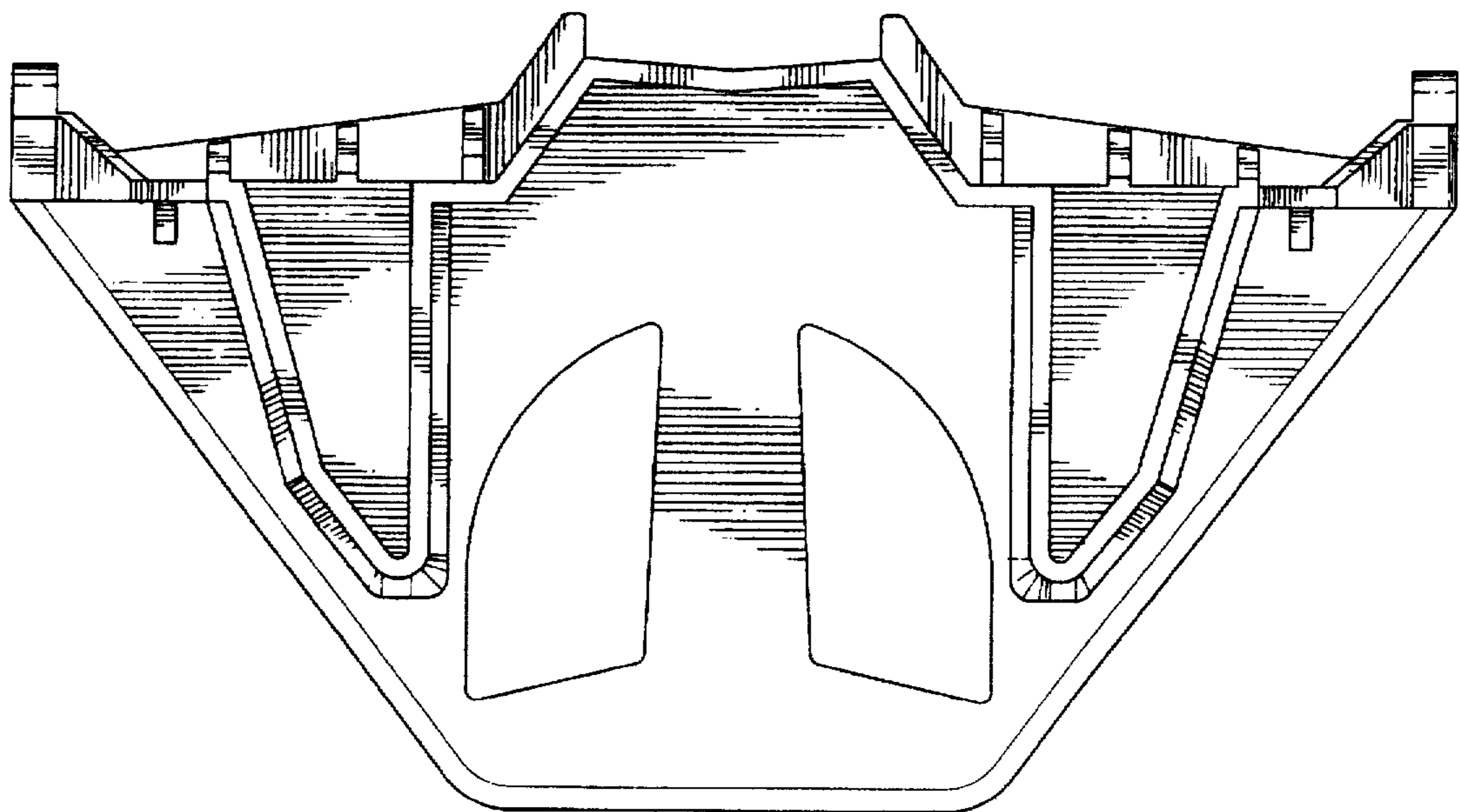


FIG. 7