



US00D385462S

United States Patent [19]

[11] Patent Number: **Des. 385,462**

Ferris

[45] Date of Patent: ****Oct. 28, 1997**

[54] **CLIP-ON BOWL**

[75] Inventor: **Ian Ferris**, Finchampstead, England

[73] Assignee: **Dart Industries Inc.**, Orlando, Fla.

[**] Term: **14 Years**

[21] Appl. No.: **51,776**

[22] Filed: **Mar. 28, 1996**

[51] LOC (6) Cl. **07-01**

[52] U.S. Cl. **D7/543; D7/620**

[58] Field of Search **D7/543, 601, 602, D7/620, 549, 622, 548, 545, 361; 220/756, 608, 575**

5,411,014 5/1995 Paul 220/608 X
 5,423,452 6/1995 Tardif 220/608 X

FOREIGN PATENT DOCUMENTS

6503 of 1912 United Kingdom .

OTHER PUBLICATIONS

Soup and Craker Bowl (bottom center), Gifts & Decorative Accessories Aug. 1979, p. 109.

Primary Examiner—M. N. Pandozzi
Attorney, Agent, or Firm—John A. Doninger

[57] CLAIM

The ornamental design for a clip-on bowl, as shown and described.

DESCRIPTION

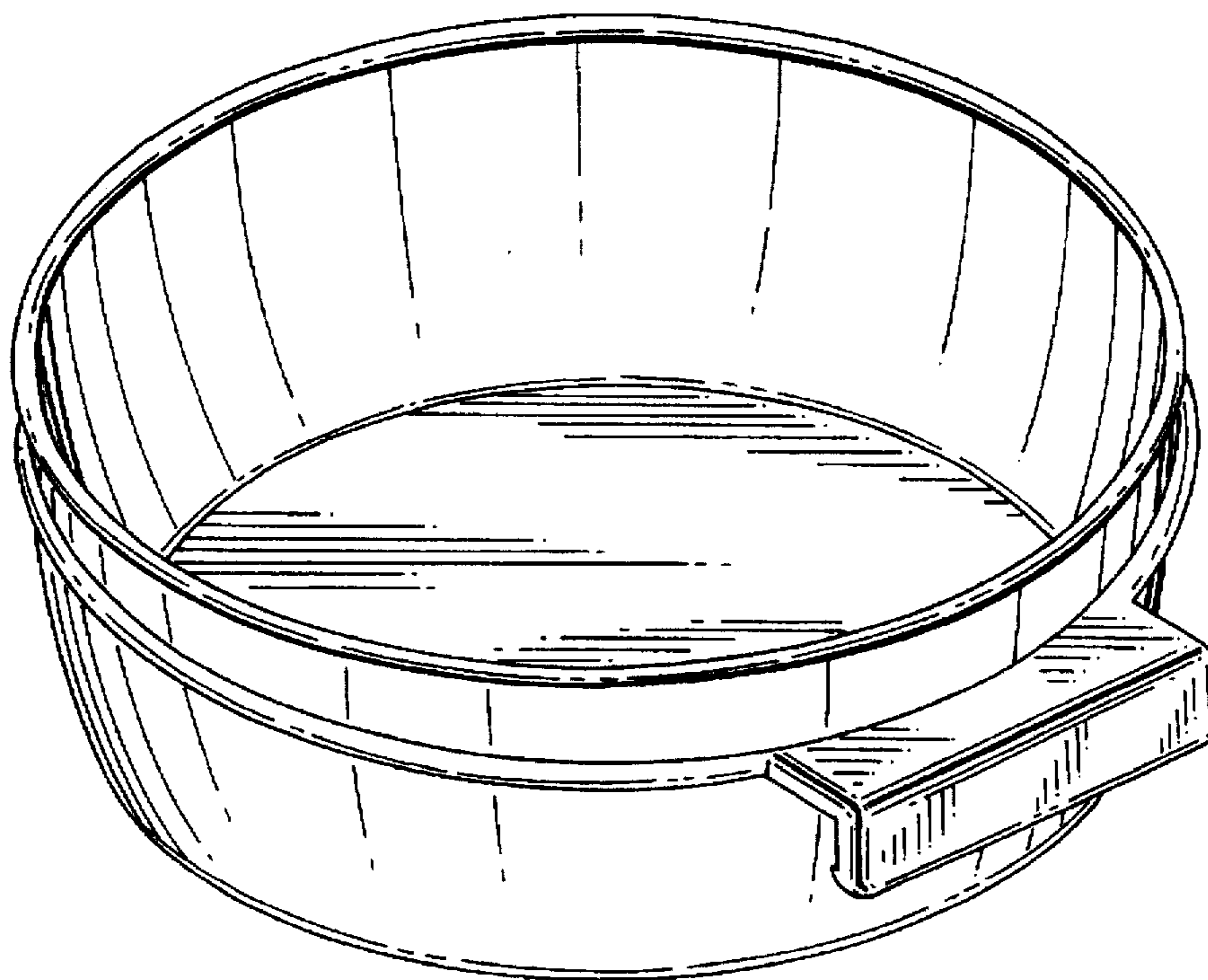
FIG. 1 is a top perspective view of a clip-on bowl showing my new design;
 FIG. 2 is a top plan view thereof;
 FIG. 3 is a bottom plan view thereof;
 FIG. 4 is a left end view thereof;
 FIG. 5 is a right end view thereof;
 FIG. 6 is a front view thereof;
 FIG. 7 is a rear view thereof;
 FIG. 8 is a cross-section view thereof on line 8—8 in FIG. 2; and,
 FIG. 9 is a cross-section view thereof on line 9—9 in FIG. 2.

[56] References Cited

U.S. PATENT DOCUMENTS

D. 95,244	4/1935	Guild	D7/543
D. 232,337	8/1974	Montesi	D7/545
D. 235,497	6/1975	Cyren	D7/545 X
D. 250,565	12/1978	Stowell	D7/543
D. 266,977	11/1982	Jensen et al.	D7/543
D. 347,969	6/1994	Cousins et al.	D7/548
1,948,932	2/1934	McMickle	220/575 X
2,628,054	2/1953	Fazakerley	.	
2,960,251	11/1960	Mariotti	.	
2,998,159	8/1961	Branaman	D7/543 X
3,742,965	7/1973	Hudziak	.	
4,606,523	8/1986	Statz et al.	.	
4,844,400	7/1989	Jasmagy, Jr.	D7/620 X
5,148,755	9/1992	Morales	.	

1 Claim, 3 Drawing Sheets



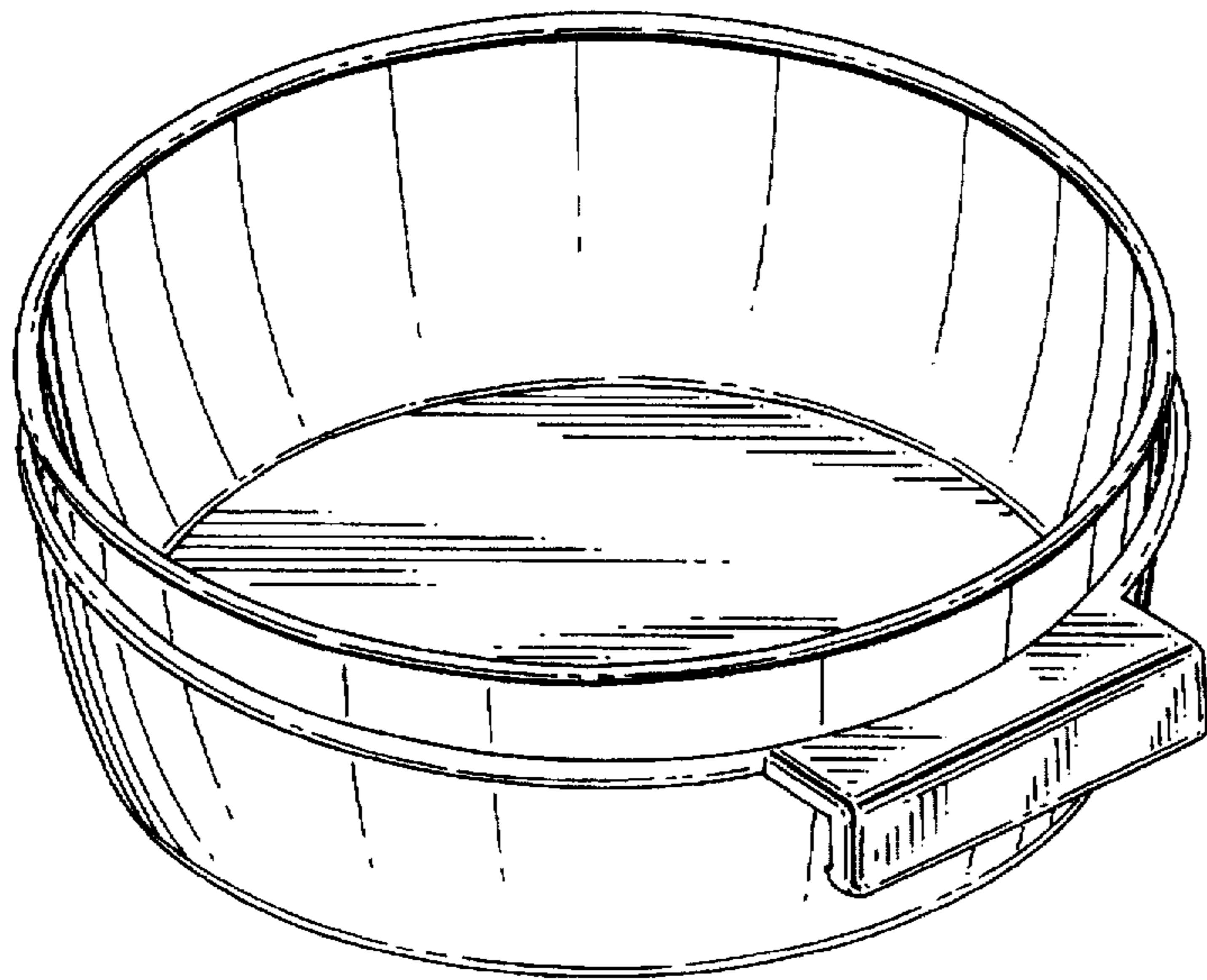


FIG. 1

FIG. 2

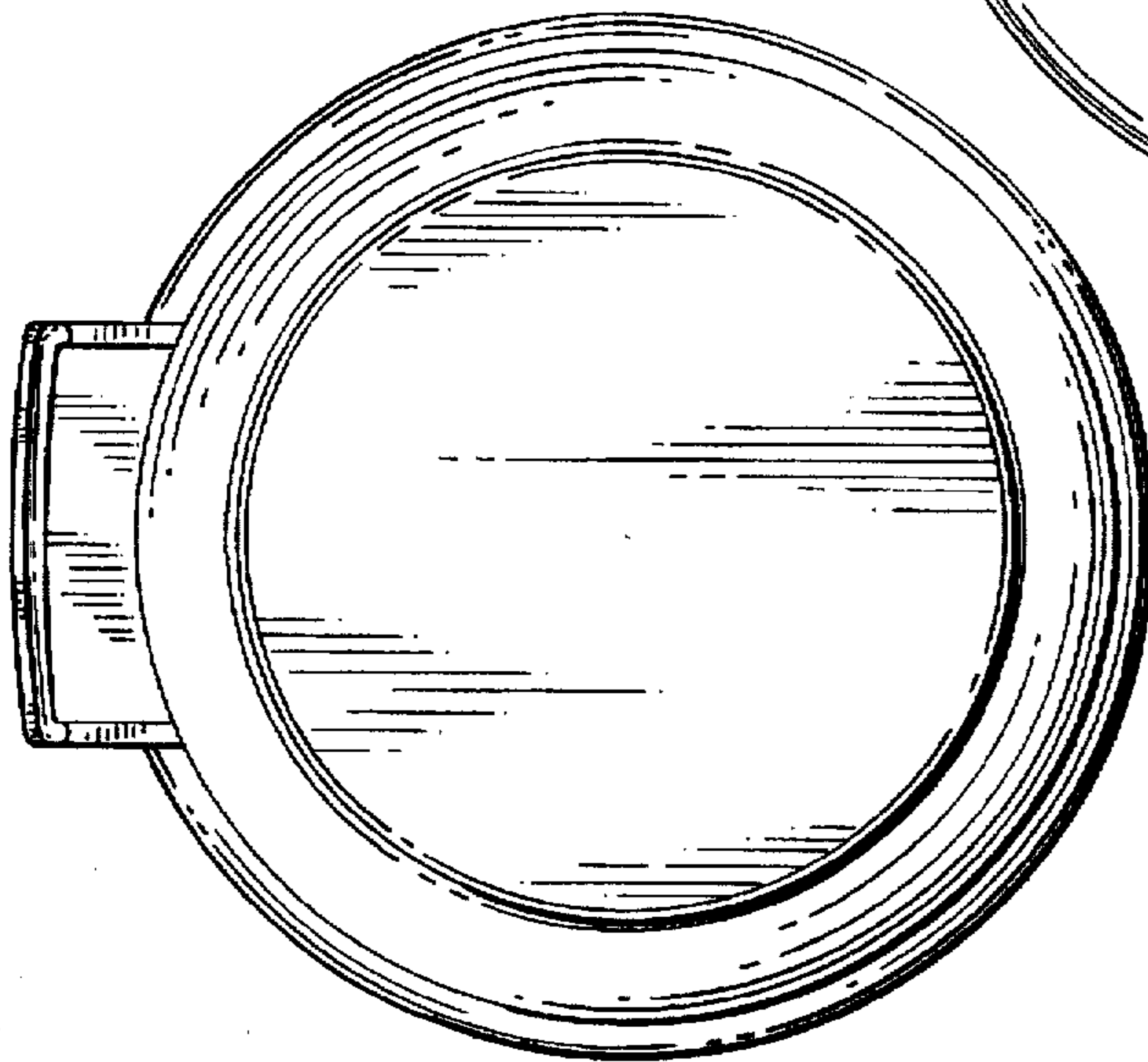
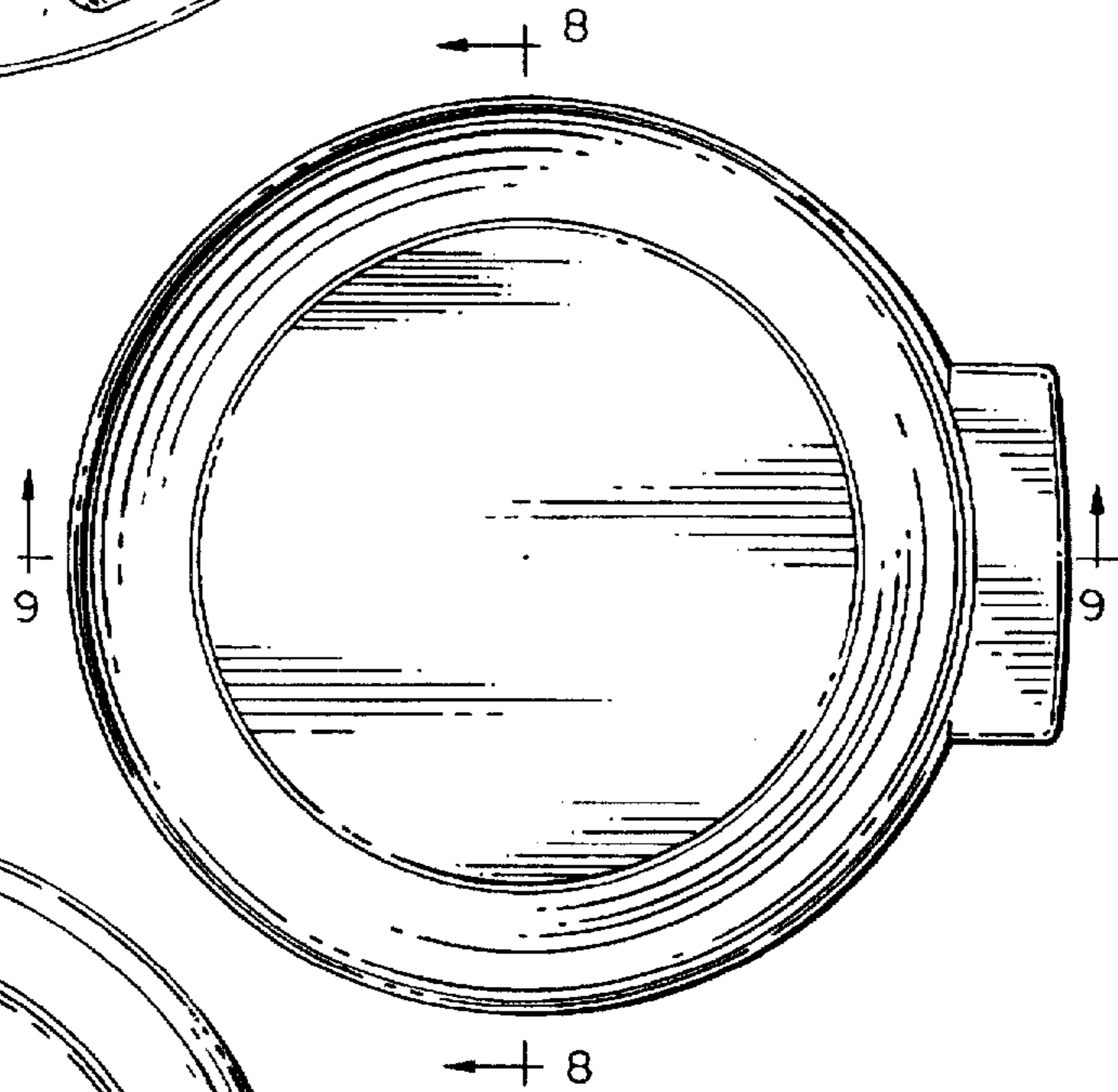


FIG. 3

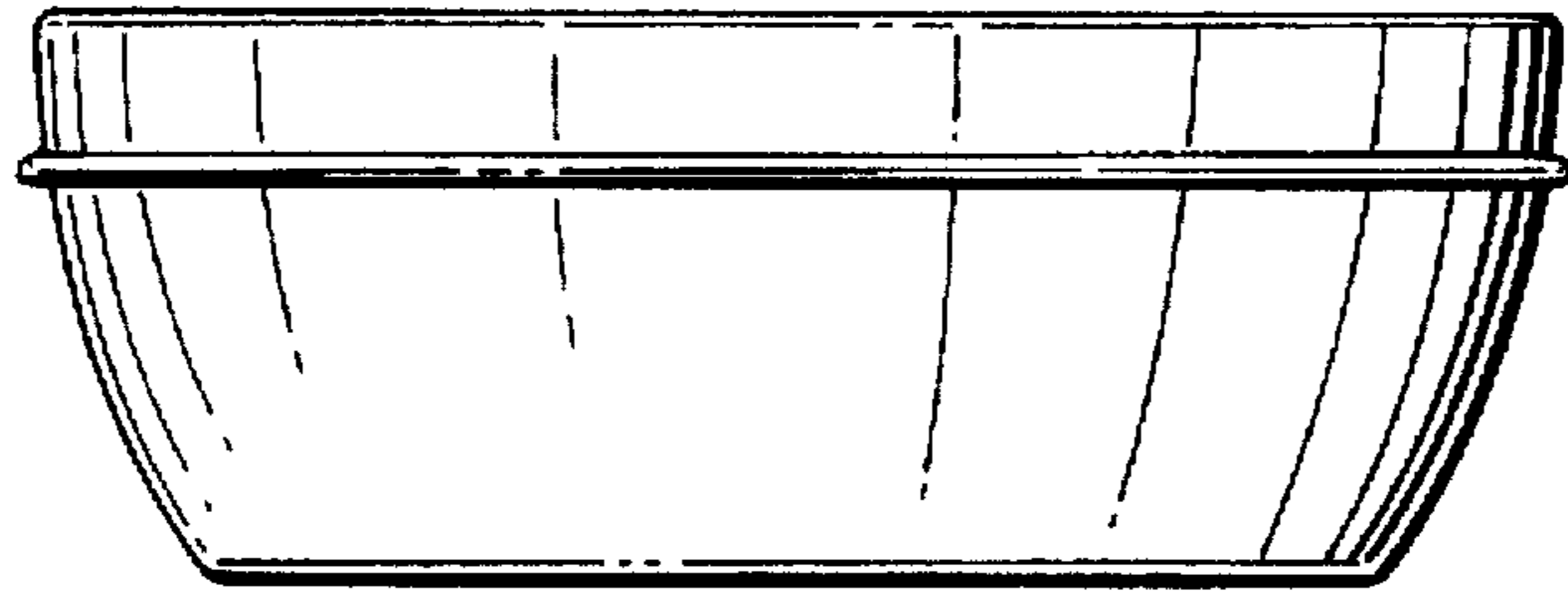


FIG. 4

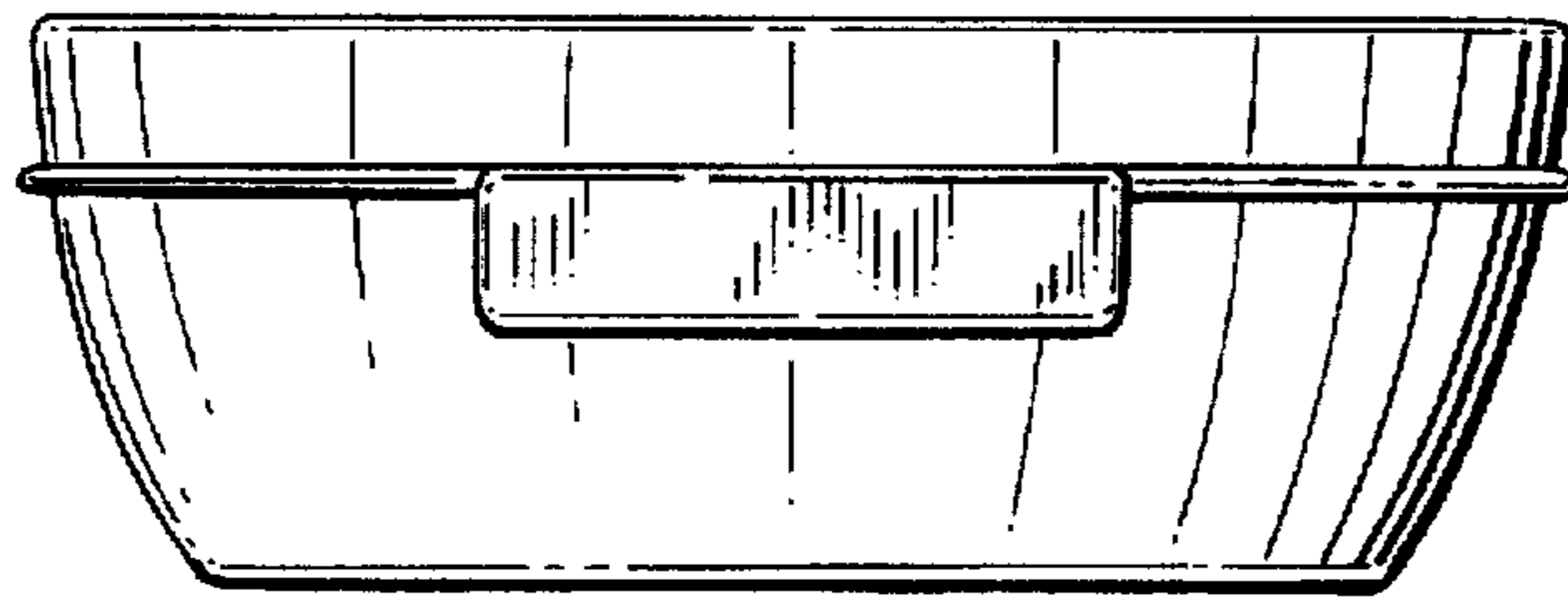


FIG. 5

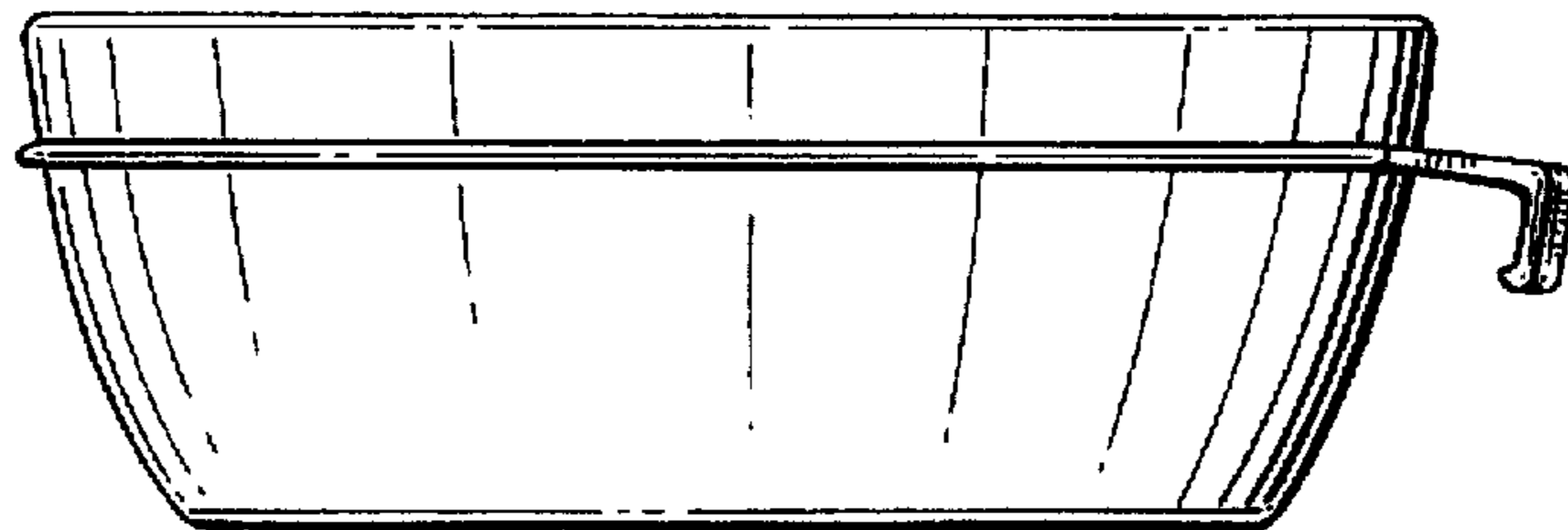


FIG. 6

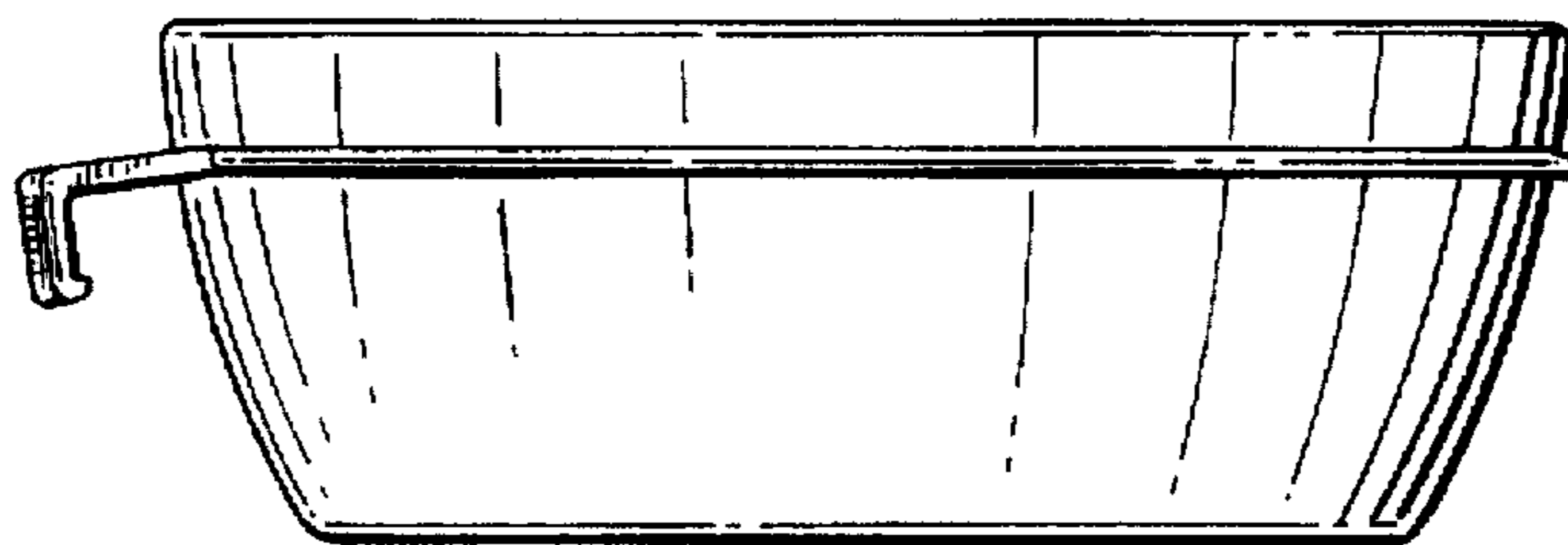


FIG. 7

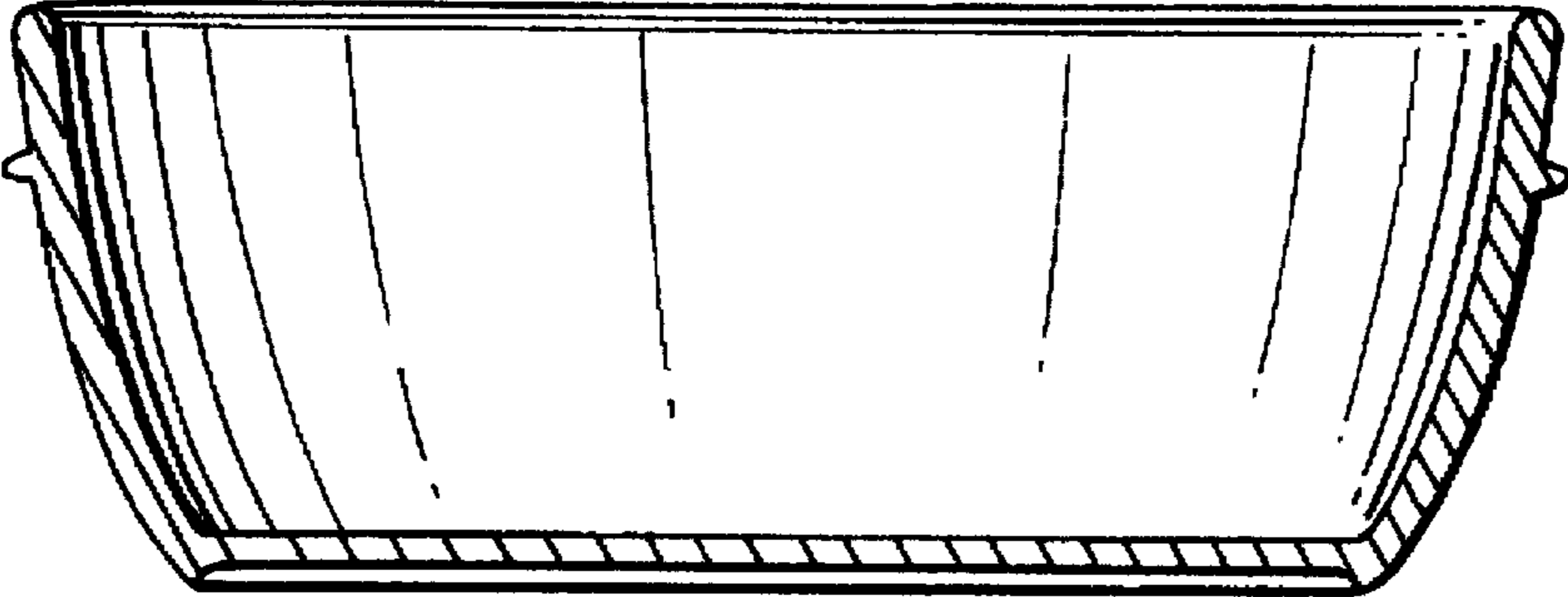


FIG. 8

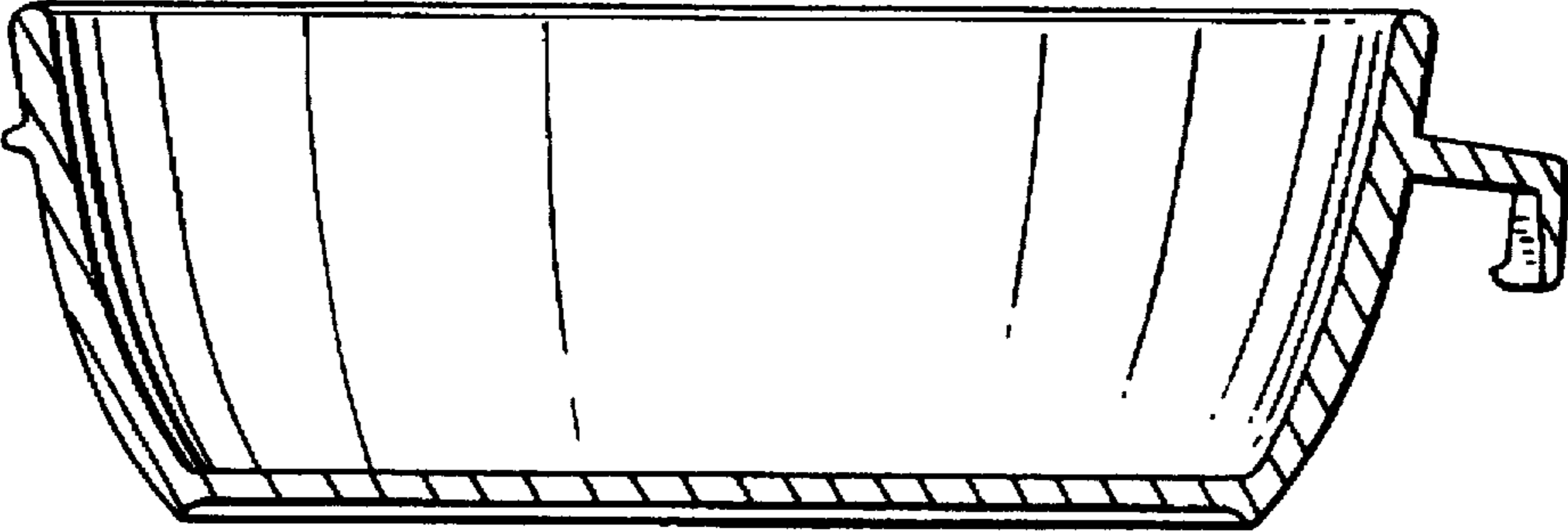


FIG. 9