



US00D385459S

United States Patent [19]
Rimback

[11] **Patent Number: Des. 385,459**
[45] **Date of Patent: **Oct. 28, 1997**

[54] **TILE FOR A COOKING GRILL**
[75] **Inventor: Peter Rimback, Oakwood, Ohio**
[73] **Assignee: Hanover Catalog Holdings, Inc., Weehawken, N.J.**
[**] **Term: 14 Years**
[21] **Appl. No.: 53,769**
[22] **Filed: Apr. 30, 1996**
[51] **LOC (6) Cl. 07-02**
[52] **U.S. Cl. D7/408; D7/409**
[58] **Field of Search D7/402, 407-409, D7/417; 126/39 J, 41 R, 92 AC, 25 R, 25 B, 26; 249/119, 55, 134; 99/445; 431/328, 347, 348, 326; 44/530; D23/422**

D. 356,008 3/1995 Reiger et al. D7/416
2,908,214 10/1959 Persinger 99/445
3,692,013 9/1972 Grafton et al. 126/41
4,351,313 9/1982 Kern 126/39
4,535,748 8/1985 Hunerwadel 126/25
5,111,803 5/1992 Barker et al. 126/41
5,121,738 6/1992 Harris 126/41

OTHER PUBLICATIONS

Grill Lover's Char-Broil, Catalog 1995, Exhibit A, B, C, D, E no date.

Primary Examiner—Ruth McInroy
Attorney, Agent, or Firm—Thompson Hine & Flory LLP

[57] **CLAIM**

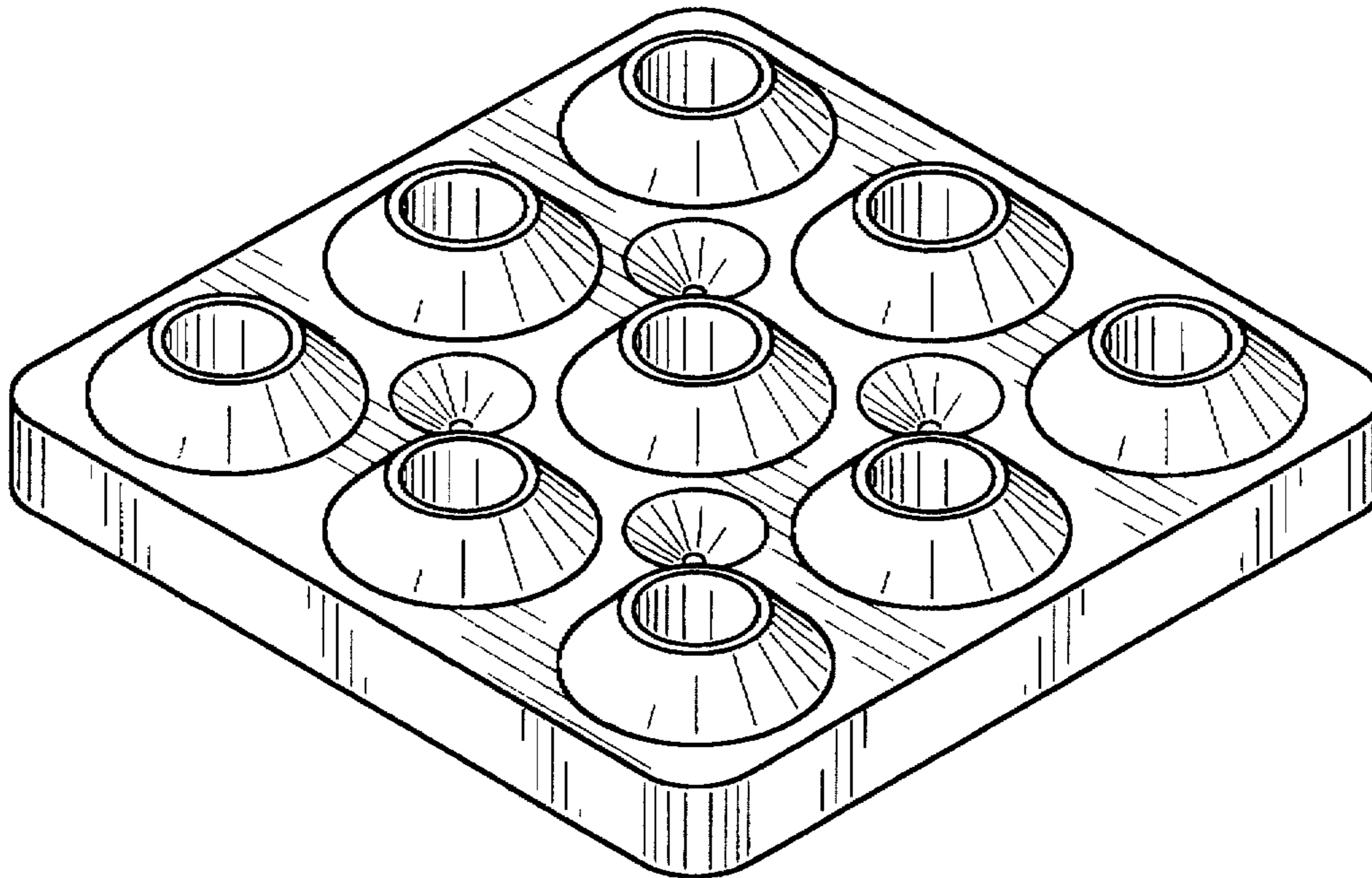
The ornamental design for a tile for a cooking grill, as shown and described.

DESCRIPTION

FIG. 1 is a perspective view of a tile for a cooking grill showing my new design;
FIG. 2 is a top plan view thereof;
FIG. 3 is a side elevational view thereof, all four side elevational views being identical thereto;
FIG. 4 is a bottom plan view thereof; and,
FIG. 5 is a cross-section thereof taken along line 5—5 of FIG. 2.

[56] **References Cited**
U.S. PATENT DOCUMENTS
D. 97,841 12/1935 Cohen D7/409
D. 186,320 10/1959 Mustin D32/1
D. 255,413 6/1980 Alexander D7/409
D. 272,847 2/1984 Koziol D23/166
D. 309,234 7/1990 Howell D7/409
D. 323,096 1/1992 Pack D7/409
D. 337,483 7/1993 Newton et al. D7/409
D. 341,292 11/1993 Johnston D7/402
D. 344,434 2/1994 Endara D7/409

1 Claim, 2 Drawing Sheets



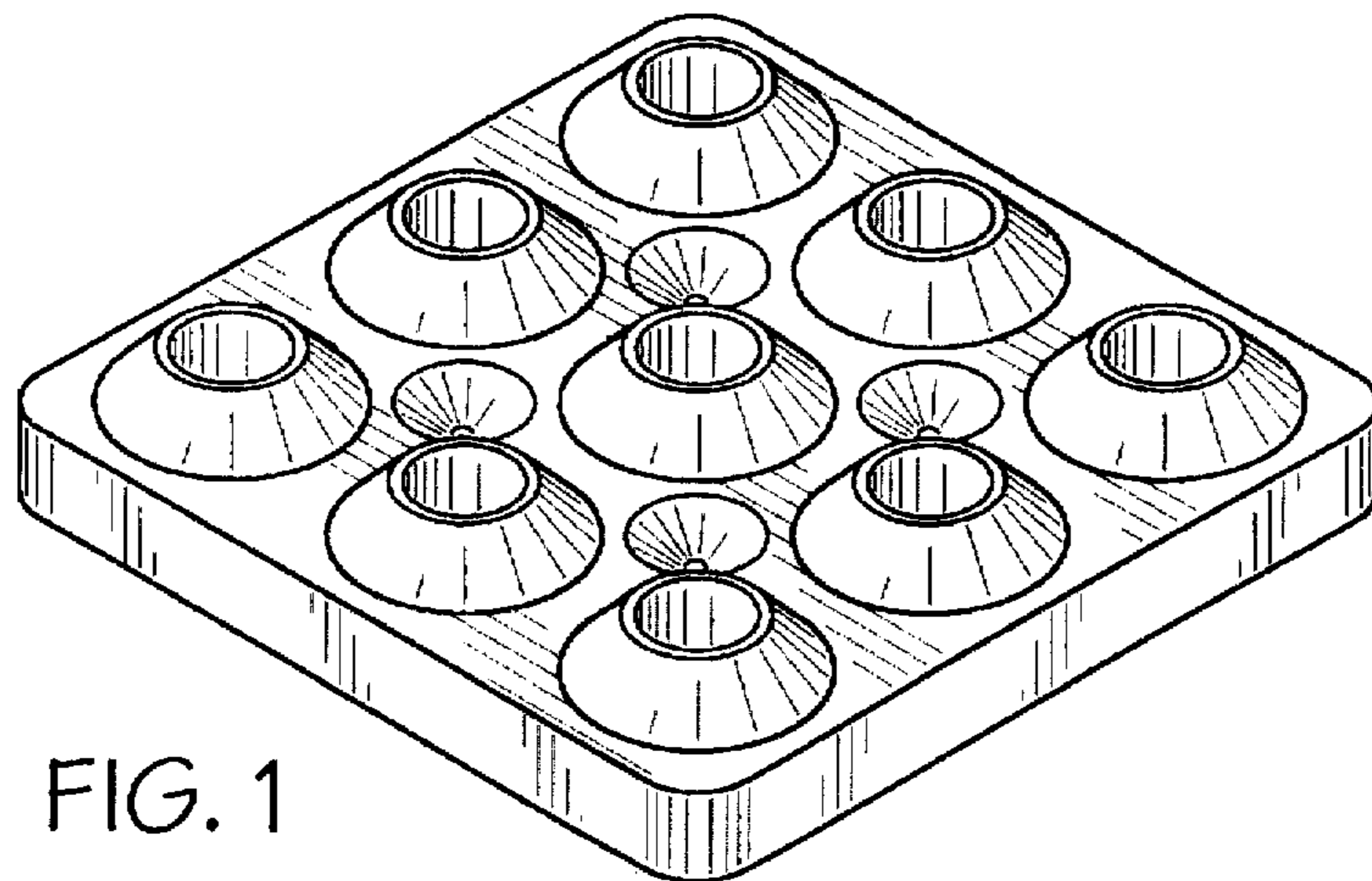


FIG. 1

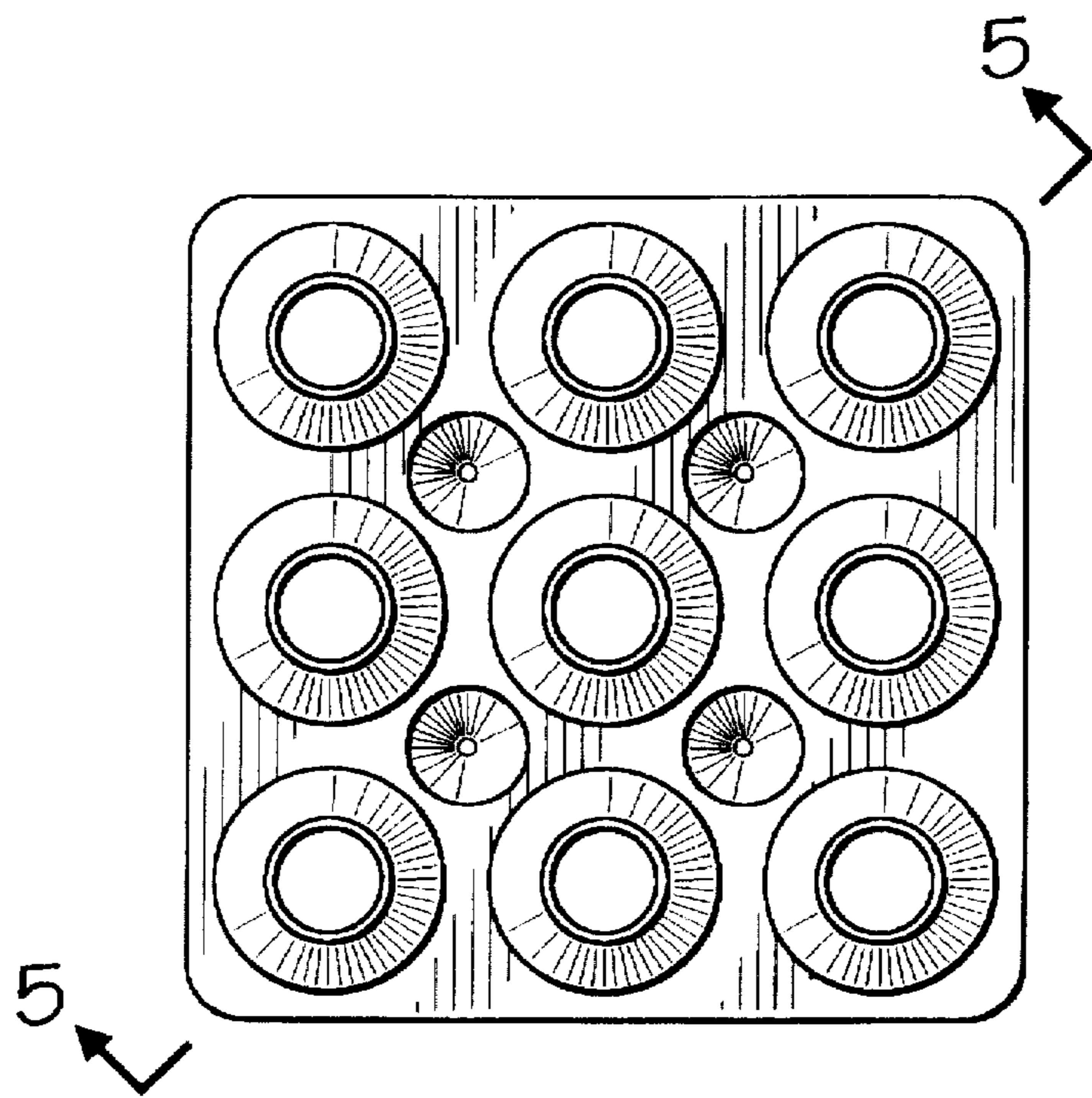


FIG. 2

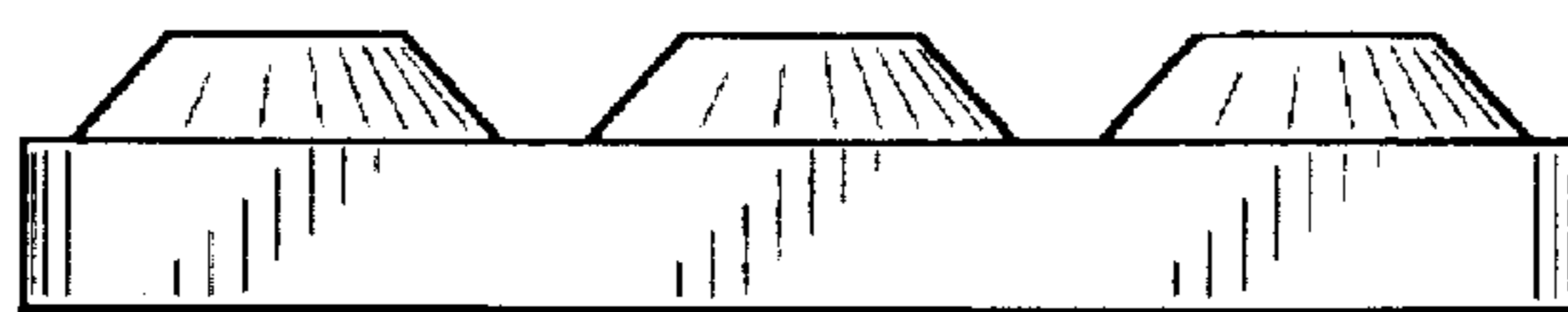


FIG. 3

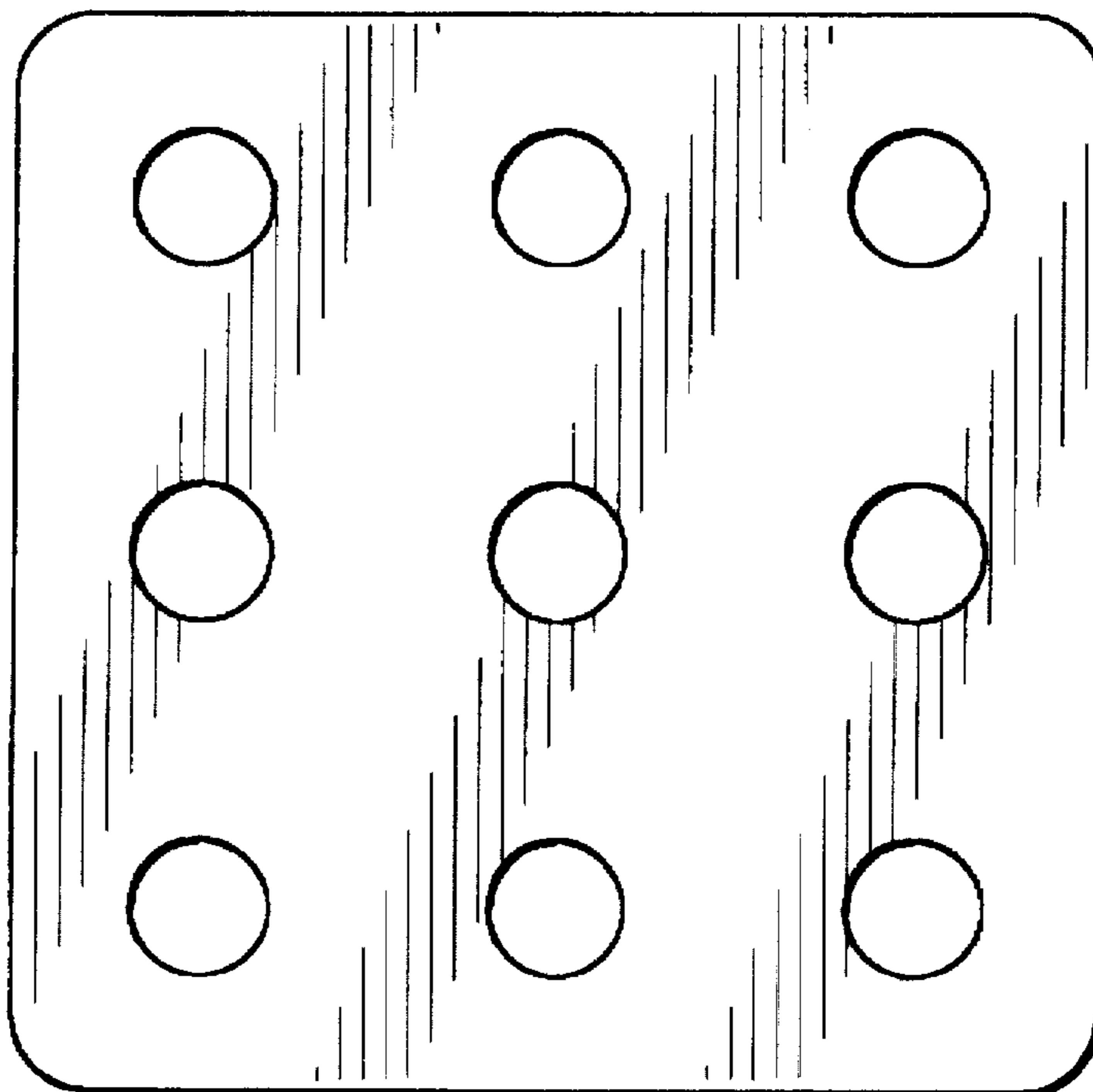


FIG. 4

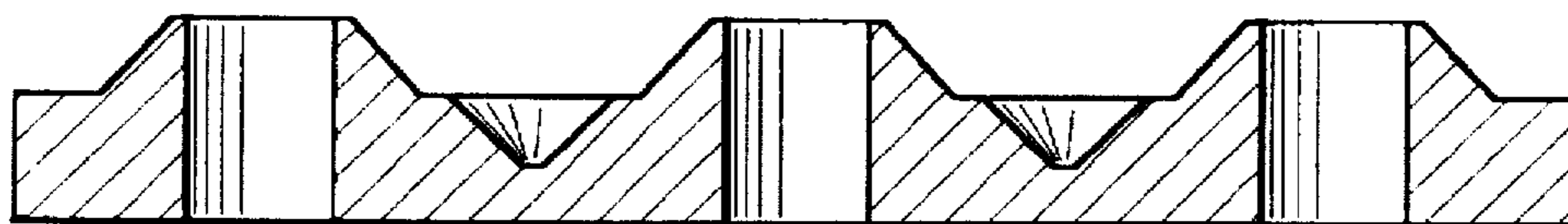


FIG. 5